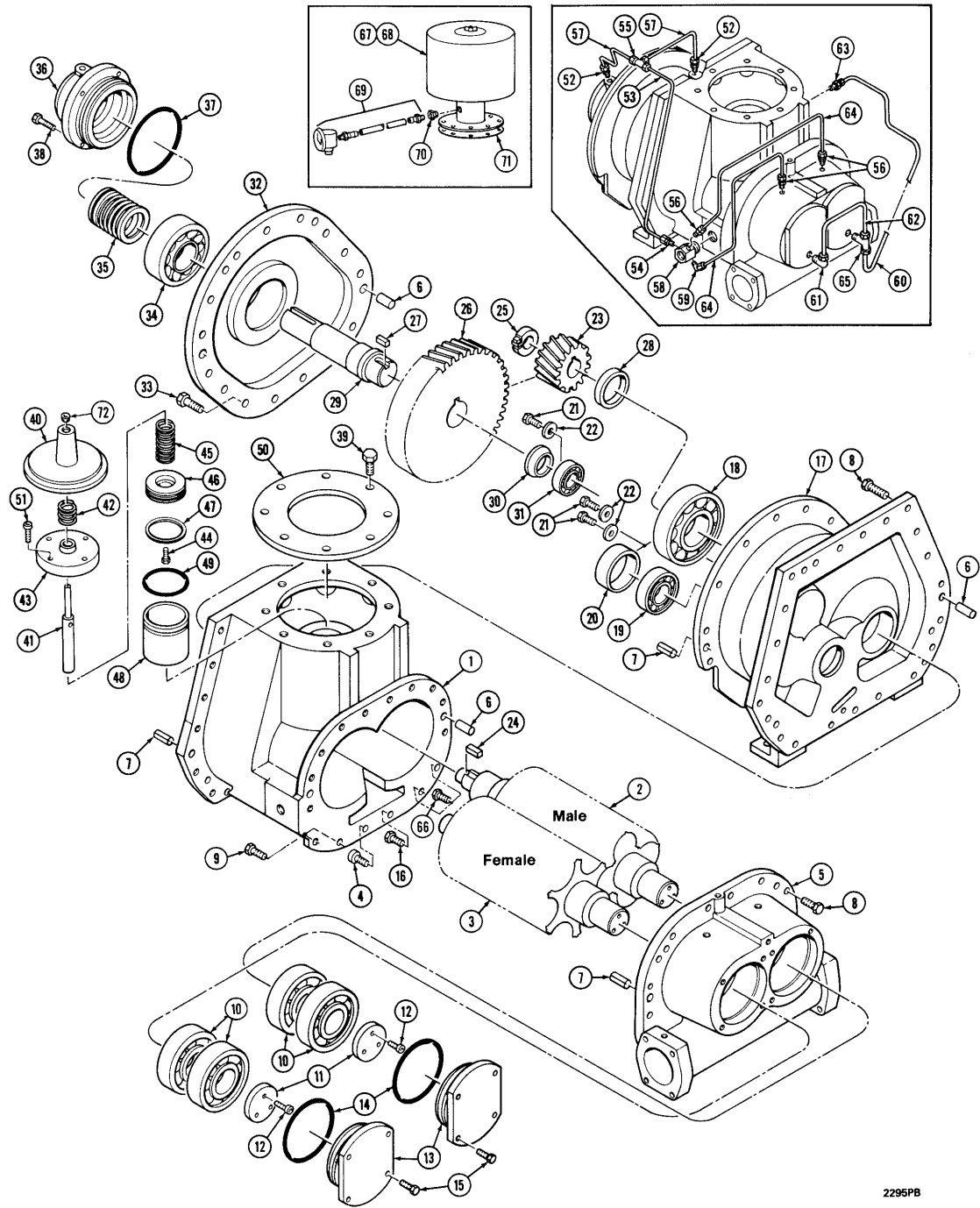


# INDEX PARTS LIST

AUGUST 1998

4180x, 4195x, 4196x, 4226x, 4227x

GROUP NUMBER	GROUP NAME	GROUP NUMBER	GROUP NAME
1	AIR END – INTAKE VALVE – AIR CLEANER – WE75SSII		
1A	AIR END – INTAKE VALVE - AIR CLEANER – WE100SSII		
1B	AIR END – INTAKE VALVE – AIR CLEANER – WE100SSII		
2	AIR RECEIVER/OIL RESERVOIR – OIL SEPARATOR – OIL PIPING		
3	AIR CLEANER (OPTIONAL)		
4	OIL COOLER WITH AFTERCOOLER – AIR COOLED		
5	OIL COOLER WITHOUT AFTER- COOLER – WATER COOLED		
5A	OIL COOLER WITH AFTERCOOLER - WATER COOLED		
6	CONTROLS – CONTROL PIPING, AUTO DUAL CONTROL		
6A	ELECTRONIC BYPASS CONTROL		
7	INSTRUMENT PANEL – CONTROL ENCLOSURE – STARTERS – WE75SSII		
7A	INSTRUMENT PANEL – CONTROL ENCLOSURE – STARTERS – WE100SSII		
8	UNIT BASE – DRIVE – ELECTRIC MOTORS		
9	HOUSING – AIR COOLED		
9A	HOUSING – WATER COOLED		
10	DECALS AND LABELS		
11	TOOLS		
			<p>WHEN CONSULTING YOUR DISTRIBUTOR OR THE FACTORY CONCERNING YOUR COMPRESSOR OR WHEN ORDERING SERVICE LITERATURE OR SERVICE PARTS, ALWAYS FURNISH COMPLETE UNIT MODEL AND SERIAL NUMBER.</p> <p><b>NOTE:</b> ILLUSTRATIONS USED IN THIS PARTS LIST ARE OF TYPICAL PARTS AND MAY DIFFER IN DETAIL.</p> <p>P/L 4180x,4195x,4196x,4226x,4227x ECN</p>



2295PB

# PARTS LIST GROUPS AND COMPONENTS

## MODEL WE75SSII

## PART NUMBERS

### GROUP NO. 1 AIR END-INTAKE VALVE-AIR CLEANER

REF	PART DESCRIPTION	QTY	STANDARD	STANDARD	STANDARD	STANDARD
			A219-147 G43-831-2	A219-147-1 G43-831-2	A219-147 G43-831-2	A219-147-1 G43-831-2
			WITHOUT BYPASS 100 PSI	WITH BYP ASS 100PSI	WITHOUT BYPASS 125 PSI	WITH BYPASS 125 PSI
1	CYLINDER	1	1-854	1-854-1	1-854-1	1-854-1
2	ROTOR, MALE (NSS)	1	101-197	101-197	101-197	101-197
3	ROTOR, FEMALE (NSS)	1	101-198	101-198	101-198	101-198
4	SCREW, SPECIAL	1	34-1364-1	34-1364-17	34-1364-17	34-1364-17
5	RETAINER, REAR BEARING (NSS)	1	31-983	31-983	31-983	31-983
6	PIN, DOWEL	1	17-1106-9	17-1106-9	17-1106-9	17-1106-9
7	OPIN, SPIROL	1	17-1243	17-1243	17-1243	17-1243
8	SCREW, CAP	10	02-891	02-891	02-891	02-891
9	SCREW, SPECIAL	2	34-1364-9	34-1364-9	34-1364-9	34-1364-9
10	BEARING (NSS)	4	181-588	181-588	181-588	181-588
11	RETAINER, BEARING	2	31-972	31-972	31-972	31-972
12	SCREW, SPECIAL	6	34-1364-13	34-1364-13	34-1364-13	34-1364-13
13	COVER, BEARING	2	14-1802	14-1802	14-1802	14-1802
14	SEAL, O-RING	2	125-826-53	125-826-53	125-826-53	125-826-53
15	SCREW, CAP	8	02-890	02-890	02-890	02-890
16	SCREW, CAP	1	02-897	02-897	02-897	02-897
17	HOUSING, BEAR (NSS)	1	37-308	37-308	37-308	37-308
18	BEARING (NSS)	1	181-390	181-390	181-390	181-390
19	BEARING (NSS)	1	181-583	181-583	181-583	181-583
20	SPACER	1	22-1208	22-1208	22-1208	22-1208
21	SCREW, CAP	3	02-854	02-854	02-854	02-854
22	WASHER, FLAT	3	06-6	06-6	06-6	06-6
23	GEAR, SET (NSS)	1	26-920-9	26-920-9	26-920-7	26-920-7
24	KEY, DRIVE	1	09-141	09-141	09-141	09-141
25	SLEEVE, GEAR	1	63-648-1	63-648-1	63-648-1	63-648-1
27	KEY, DRIVE	1	91-221	91-221	91-221	91-221
28	SPACER	1	22-1238	22-1238	22-1238	22-1238
29	SHAFT, INPUT DRIVE (NSS)	1	27-1849	27-1849	27-1849	27-1849
30	SPACER	1	22-1207	22-1207	22-1207	22-1207
31	BEARING (NSS)	1	181-439	181-439	181-439	181-439
32	COVER, GEAR HOUSING (NSS)	1	14-1800	14-1800	14-1800	14-1800
33	SCREW, CAP	15	02-894	02-894	02-894	02-894
34	BEARING (NSS)	1	181-589	181-589	181-589	181-589
	KIT, ROTARY SEAL	1	A204-1454	A204-1454	A204-1454	A024-1454
35	SEAL, ROTARY	1	125-927	125-927	125-927	125-927
36	RETAINER, SEAL	1	31-985	31-985	31-985	31-985
37	SEAL, O-RING	1	125-826-47	125-826-47	125-826-47	125-826-47
38	SCREW, CAP	6	02-860	02-860	02-860	02-860
39	SCREW, CAP	8	02-1011	02-1011	02-1011	02-1011
40	VALVE, INTAKE	1	15-1781-2	15-1781-2	15-1781-2	15-1781-2
41	SHAFT	1	27-1850-1	27-1850-1	27-1850-1	27-1850-1
42	SPRING	1	24-796	24-796	24-796	24-796
43	RETAINER	1	31-986	31-986	31-986	31-986
44	SCREW, CAP	1	02-779	02-779	02-779	02-779
45	SPRING	1	24-795	24-795	24-795	24-795
46	PISTON	1	8-845	8-845	8-845	8-845
47	SEAL, O-RING	1	125-913-29	125-913-29	125-913-29	125-913-29
48	SLEEVE	1	63-470	63-470	63-470	63-470
49	SEAL, O-RING	1	125-826-62	125-826-62	125-826-62	125-826-62
50	FLANGE	1	54-875	54-875	54-875	54-875
51	SCREW, SPECIAL	4	34-1364-24	34-1364-24	34-1364-24	34-1364-24
52	FITTING	2	182-228	182-228	182-228	182-228
53	TUBE	1	55-29-7	55-29-7	55-29-7	55-29-7
54	FITTING	1	182-208	182-208	182-208	182-208
	PLUG, PIPE	1	011-103	011-103	011-103	011-103

# PARTS LIST GROUPS AND COMPONENTS

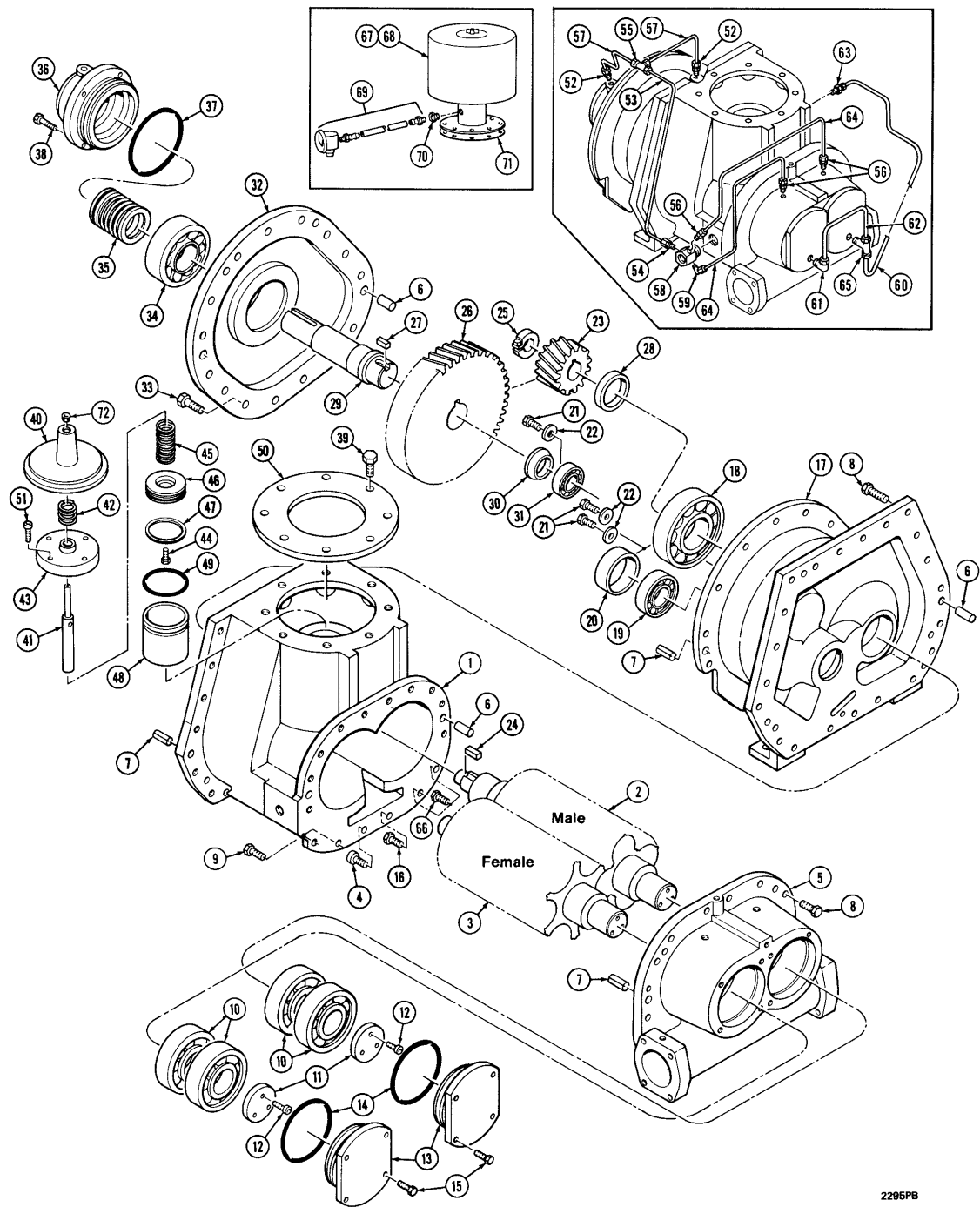
## MODEL WE75SSII

## PART NUMBERS

### GROUP NO. 1 AIR END-INTAKE VALVE-AIR CLEANER

REF	PART DESCRIPTION	QTY	STANDARD			
			STANDARD	STANDARD	STANDARD	STANDARD
			G26-920-9 <b>A219-147</b> G43-831-2	G26-920-9 <b>A219-147-1</b> G43-831-2	G26-920-7 <b>A219-147</b> G43-831-2	G26-920-7 <b>A219-147-1</b> G43-831-2
			WITHOUT BYPASS 100 PSI	WITH BYP ASS 100PSI	WITHOUT BYPASS 125 PSI	WITH BYPASS 125 PSI
55	FITTING	1	182-235	182-235	182-235	182-235
56	FITTING	3	182-221	182-221	182-221	182-221
57	TUBE	2	55-29-48	55-29-48	55-29-48	55-29-48
58	FITTING, SPECIAL	1	38-1304-1	38-1304-1	38-1304-1	38-1304-1
59	FITTING	1	182-209	182-209	182-209	182-209
60	TUBE	1	55-38-46	55-38-46	55-38-46	55-38-46
61	FITTING	1	H182-401	H182-401	H182-104	H182-104
62	TUBE	1	55-38-15	55-38-15	55-38-15	55-38-15
63	FITTING	1	H182-390	H182-390	H182-390	H182-390
64	TUBE	2	55-51-54	55-51-54	55-51-54	55-51-54
65	FITTING	1	182-979	182-979	182-979	182-979
66	SCREW, CAP	2	02-889	02-889	02-889	02-889
67	AIR CLEANER ASSEMBLY	1	43-831-2 Inc. A	43-831-2 Inc. A	43-831-2 Inc. A	483-831-2 Inc. A
68	ELEMENT, AIR CLEANER	1	43-831-1-A	43-831-1-A	43-831-1-A	43-831-1-A
69	GAGE, RESTRICTION	1	60-560	60-560	60-560	60-560
70	REDUCER, PIPE	1	013-1061	013-1061	013-1061	013-1061
71	GASKET	1	16-2062-5	16-2062-5	16-2062-5	16-2062-5
72	PLUG, PIPE	1	011-103	011-103	011-103	011-103

**THIS PAGE LEFT INTENTIONALLY BLANK.**



2295PB

# PARTS LIST GROUPS AND COMPONENTS

## MODEL WE100SSII

## PART NUMBERS

### GROUP NO. 1A AIR END – INTAKE VALVE–AIR CLEANER

REF	PART DESCRIPTION	QTY	STANDARD			
			STANDARD	STANDARD	STANDARD	STANDARD
			G26-920-6 A219-147 G43-831-2	G26-920-6 A219-147-1 G43-831-2	G26-920-8 A219-147 G43-831-2	G26-920-8 A219-147-1 G43-831-2
			WITHOUT BYPASS 100 PSI	WITH BYP ASS 100PSI	WITHOUT BYPASS 125 PSI	WITH BYPASS 125 PSI
1	CYLINDER	1	1-854	1-854-1	1-854-1	1-884-1
2	ROTOR, MALE (NSS)	1	101-197	101-197	101-197	101-197
3	ROTOR, FEMALE (NSS)	1	101-198	101-198	101-198	101-198
4	SCREW, SPECIAL	1	34-1364-17	34-1364-17	34-1364-17	34-1364-17
5	RETAINER, REAR BEARING (NSS)	1	31-983	31-983	31-983	31-983
6	PIN, DOWEL	1	17-1106-9	17-1106-9	17-1106-9	17-1106-9
7	PIN, SPIROL	1	17-1243	17-1243	17-1243	17-1243
8	SCREW, CAP	10	02-891	02-891	02-891	02-891
9	SCREW, SPECIAL	2	34-1364-9	34-1364-9	34-1364-9	34-1364-9
10	BEARING (NSS)	4	181-588	181-588	181-588	181-588
11	RETAINER, BEARING	2	31-972	31-972	31-972	31-972
12	SCREW, SPECIAL	6	34-1364-13	34-1364-13	34-1364-13	34-1364-13
13	COVER, BEARING	2	14-1802	14-1802	14-1802	14-1802
14	SEAL, O-RING	2	125-955-5	125-955-5	125-955-5	125-955-5
15	SCREW, CAP	8	02-890	02-890	02-890	02-890
16	SCREW, CAP	1	02-897	02-897	02-897	02-897
17	HOUSING, GEAR (NSS)	1	37-308	37-308	37-308	37-308
18	BEARING (NSS)	1	181-390	181-390	181-390	181-390
19	BEARING (NSS)	1	181-583	181-583	181-583	181-583
20	SPACER	1	22-1208	22-1208	22-1208	22-1208
21	SCREW, CAP	3	02-854	02-854	02-854	02-854
22	WASHER, FLAT	3	06-6	06-6	06-6	06-6
23	GEAR, SET (NSS)	1	26-920-6	26-920-6	26-920-8	26-920-8
24	KEY, DRIVE	1	09-141	09-141	09-141	09-141
25	SLEEVE, GEAR	1	63-648-1	63-648-1	63-648-1	63-648-1
27	KEY, DRIVE	1	91-221	91-221	91-221	91-221
28	SPACER	1	22-1238	22-1238	22-1238	22-1238
29	SHAFT, INPUT DRIVE (NSS)	1	27-1849	27-1849	27-1849	27-1849
30	SPACER	1	22-1207	22-1207	22-1207	22-1207
31	BEARING (NSS)	1	181-439	181-439	181-439	181-439
32	COVER, GEAR HOUSING (NSS)	1	14-1800	14-1800	14-1800	14-1800
33	SCREW, CAP	15	02-894	02-894	02-894	02-894
34	BEARING (NSS)	1	181-589	181-589	181-589	181-589
	KIT, ROTARY SEAL	1	A204-1454	A204-1454	A204-1454	A204-1454
35	SEAL, ROTARY	1	A204-1454	A204-1454	A204-1454	A204-1454
36	RETAINER, SEAL	1	31-985	31-985	31-985	31-985
37	SEAL, O-RING	1	125-455-4	125-455-4	125-455-4	125-455-4
38	SCREW, CAP	6	02-860	02-860	02-860	02-860
39	SCREW, CAP	8	02-1011	02-1011	02-1011	02-1011
40	VLAVE, INTAKE	1	15-1781-2	15-1781-2	15-1781-2	15-1781-2
41	SHAFT	1	27-1850-1	27-1850-1	27-1850-1	27-1850-1
42	SPRING	1	24-796	24-796	24-796	24-796
43	RETAINER	1	31-986	31-986	31-986	31-986
44	SCREW, CAP	1	02-779	02-779	02-779	02-779
45	SPRING	1	24-795	24-795	24-795	24-795
46	PISTON	1	8-845	8-845	8-845	8-845
47	SEAL, O-RING	2	125-928-29	125-928-29	125-928-29	125-928-29
48	SLEEVE	1	63-470	63-470	63-470	63-470
49	SEAL, O-RING	1	125-955-6	125-955-6	125-955-6	125-955-6
50	FLANGE	1	54-875	54-875	54-875	54-875
51	SCREW, SPECIAL	4	34-1364-24	34-1364-24	34-1364-24	34-1364-24
52	FITTING	2	182-228	182-228	182-228	182-228
53	TUBE	1	55-29-7	55-29-7	55-29-7	55-29-7
54	FITTING	1	182-208	182-208	182-208	182-208
	PLUG, PIPE	1	011-103	011-103	011-103	011-103

# PARTS LIST GROUPS AND COMPONENTS

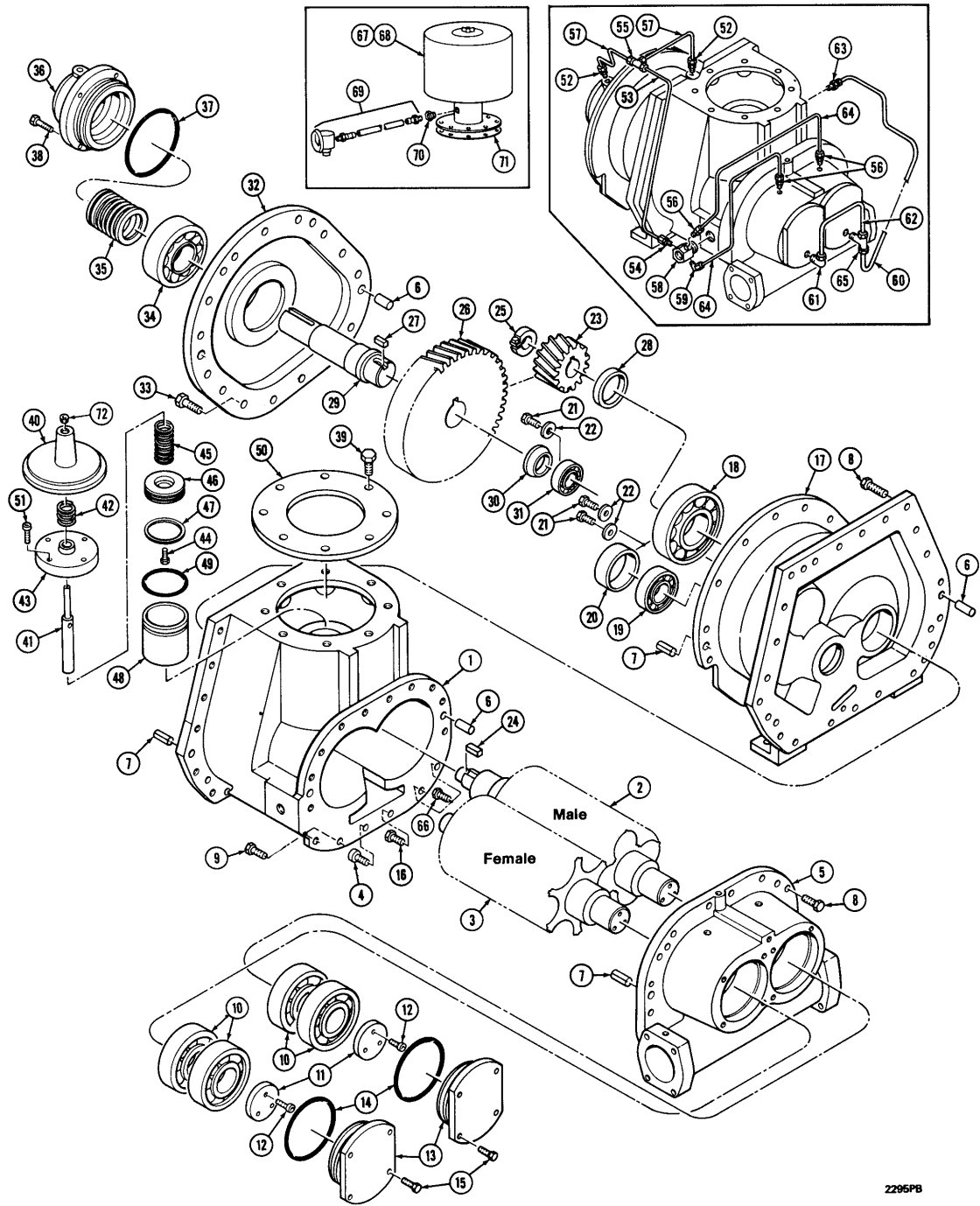
**MODEL  
WE100SSII**

**PART NUMBERS**

**GROUP NO. 1A AIR END – INTAKE VALVE–AIR CLEANER**

REF	PART DESCRIPTION	QTY	PART NUMBERS			
			STANDARD	STANDARD	STANDARD	STANDARD
			G26-920-6 <b>A219-147</b> G43-831-2	G26-920-6 <b>A219-147-1</b> G43-831-2	G26-920-8 <b>A219-147</b> G43-831-2	G26-920-8 <b>A219-147-1</b> G43-831-2
			WITHOUT BYPASS 100 PSI	WITH BYP ASS 100PSI	WITHOUT BYPASS 125 PSI	WITH BYPASS 125 PSI
55	FITTING	1	182-235	182-235	182-235	182-235
56	FITTING	3	182-221	182-221	182-221	182-221
57	TUBE	2	55-29-48	55-29-48	55-29-48	55-29-48
58	FITTING, SPECIAL	1	38-1304-1	38-1304-1	38-1304-1	38-1304-1
59	FITTING	1	182-209	182-209	182-209	182-209
60	TUBE	1	55-38-46	55-38-46	55-38-46	55-38-46
61	FITTING	1	H182-401	H182-401	H182-401	H182-401
62	TUBE	1	55-38-15	55-38-15	55-38-15	55-38-15
63	FITTING	1	H182-390	H182-390	H182-390	H182-390
64	TUBE	2	55-51-54	55-51-54	55-51-54	55-51-54
65	FITTING	1	182-979	182-979	182-979	182-979
66	SCREW, CAP	2	02-889	02-889	02-889	02-889
67	AIR CLEANER ASSEMBLY	1	43-831-2 Inc. A	43-831-2 Inc. A	43-831-2 Inc. A	43-831-2 Inc. A
68	ELEMENT, AIR CLEANER	1	43-831-1-A	43-831-1-A	43-831-1-A	43-831-1-A
69	GAGE, RESTRICTION	1	60-560	60-560	60-560	60-560
70	REDUCER, PIPE	1	013-1061	013-1061	013-1061	013-1061
71	GASKET	1	16-2062-5	16-2062-5	16-2062-5	16-2062-5
72	PLUG, PIPE	1	011-103	011-103	011-103	011-103

**THIS PAGE INTENTIONALLY LEFT BLANK.**



2295PB

# PARTS LIST GROUPS AND COMPONENTS

## MODEL WE100SSII

## PART NUMBERS

**GROUP NO. 1B AIR END – INTAKE VALVE–AIR CLEANER**

REF	PART DESCRIPTION	QTY	STANDARD			
			STANDARD	STANDARD		
			G26-920-9 A219-147 G43-831-2	G26-920-9 A219-147-1 G43-831-2		
			WITHOUT BYPASS 150 PSI	WITH BYP ASS 150PSI		
1	CYLINDER	1	1-854	1-854-1		
2	ROTOR, MALE (NSS)	1	101-197	101-197		
3	ROTOR, FEMALE (NSS)	1	101-198	101-198		
4	SCREW, SPECIAL	1	34-1364-17	34-1364-17		
5	RETAINER, REAR BEARING (NSS)	1	31-983	31-983		
6	PIN, DOWEL	1	17-1106-9	17-1106-9		
7	PIN, SPIROL	1	17-1243	17-1243		
8	SCREW, CAP	10	02-891	02-891		
9	SCREW, SPECIAL	2	34-1364-9	34-1364-9		
10	BEARING (NSS)	4	181-588	181-588		
11	RETAINER, BEARING	2	31-972	31-972		
12	SCREW, SPECIAL	6	34-1364-13	34-1364-13		
13	COVER, BEARING	2	14-1802	14-1802		
14	SEAL, O-RING	2	125-955-5	125-955-5		
15	SCREW, CAP	8	02-890	02-890		
16	SCREW, CAP	1	02-897	02-897		
17	HOUSING, GEAR (NSS)	1	37-308	37-308		
6	PIN, DOWEL	1	17-1106-9	17-1106-9		
7	PIN, SPIROL	1	17-1243	17-1243		
8	SCREW, CAP	21	02-891	02-891		
18	BEARING (NSS)	1	181-390	181-390		
19	BEARING (NSS)	1	181-583	181-583		
20	SPACER	1	22-1208	22-1208		
21	SCREW, CAP	3	02-854	02-854		
22	WASHER, FLAT	3	06-6	06-6		
23	GEAR, SET (NSS)	1	26-920-9	26-920-9		
24	KEY, DRIVE	1	09-141	09-141		
25	SLEEVE, GEAR	1	63-648-1	63-648-1		
27	KEY, DRIVE	1	91-221	91-221		
28	SPACER	1	22-1238	22-1238		
29	SHAFT, INPUT DRIVE (NSS)	1	27-1849	27-1849		
30	SPACER	1	22-1207	22-1207		
31	BEARING (NSS)	1	181-439	181-439		
32	COVER, GEAR HOUSING	1	14-1800	14-1800		
6	PIN, DOWEL	1	17-1106-9	17-1106-9		
7	PIN, SPIROL	1	17-1243	17-1243		
33	SCREW, CAP	15	02-894	02-894		
34	BEARING (NSS)	1	181-589	181-589		
	KIT, ROTARY SEAL	1	A204-1454	A204-1454		
35	SEAL, ROTARY	1	A204-1454	A204-1454		
36	RETAINER, SEAL	1	31-985	31-985		
37	SEAL, O-RING	1	125-955-4	125-955-4		
38	SCREW, CAP	6	02-860	02-860		
39	SCREW, CAP	8	02-1011	02-1011		
40	VALVE, INTAKE	1	15-1781-2	15-1781-2		
41	SHAFT	1	27-1850-1	27-1850-1		
42	SPRING	1	24-796	24-796		
43	RETAINER	1	31-986	31-986		
44	SCREW, CAP	1	02-779	02-779		
45	SPRING	1	24-795	24-795		
46	PISTON	1	8-845	8-845		
47	SEAL, O-RING	2	125-913-29	125-913-29		
48	SLEEVE	1	63-470	63-470		
49	SEAL, O-RING	1	125-826-62	125-926-62		
50	FLANGE	1	54-875	54-875		

# PARTS LIST GROUPS AND COMPONENTS

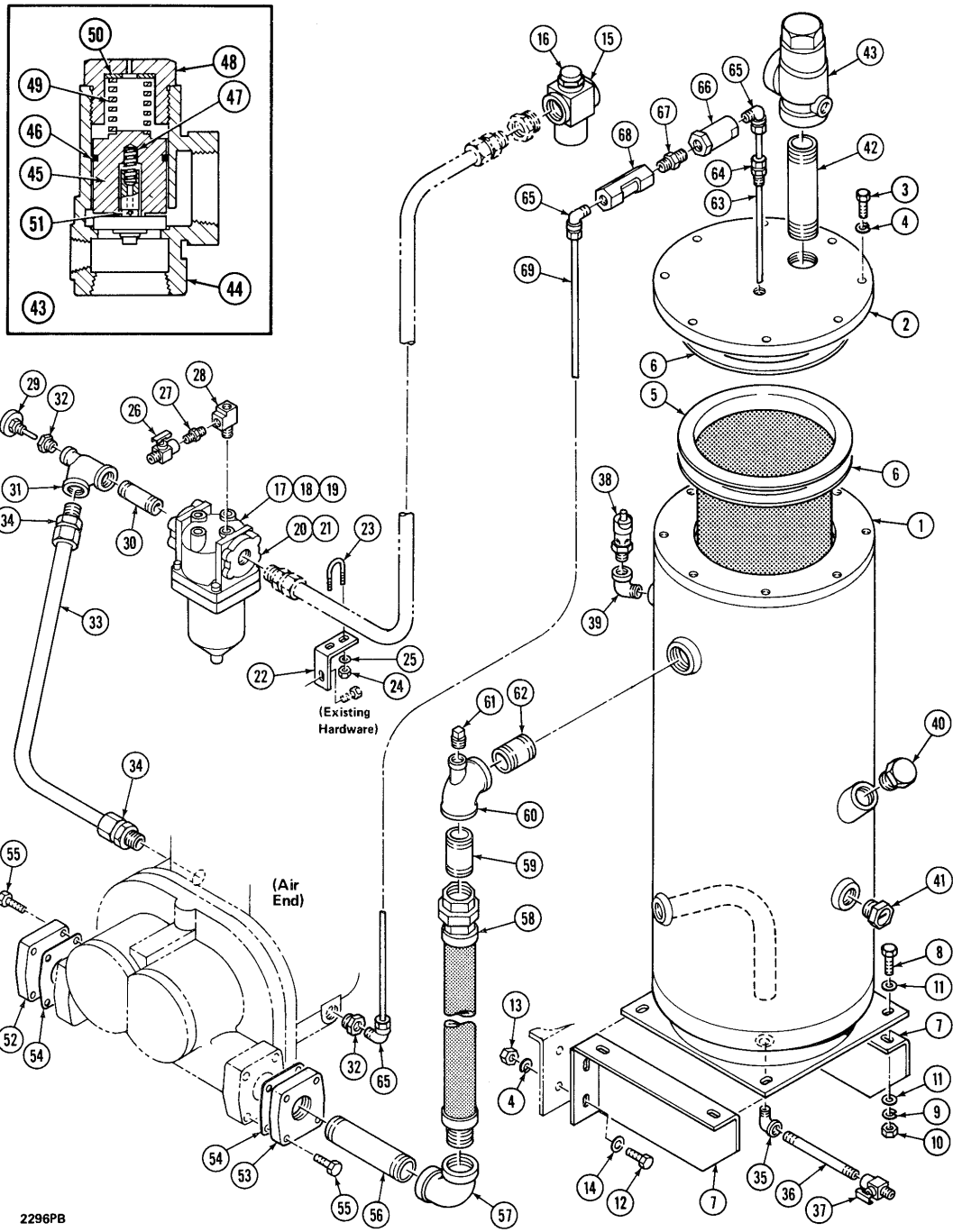
**MODEL  
WE100SSII**

**PART NUMBERS**

**GROUP NO. 1B AIR END – INTAKE VALVE–AIR CLEANER**

REF	PART DESCRIPTION	QTY	STANDARD			
			STANDARD	STANDARD		
			G26-920-9 A219-147 G43-831-2	G26-920-9 A219-147-1 G43-831-2		
			WITHOUT BYPASS 150 PSI	WITH BYP ASS 150PSI		
51	SCREW, SPECIAL	4	34-1364-24	34-1364-24		
52	FITTING	2	182-228	182-228		
53	TUBE	1	55-29-7	55-29-7		
54	FITTING	1	182-208	182-208		
55	FITTING	1	182-235	182-235		
56	FITTING	3	182-221	182-221		
57	TUBE	2	55-29-48	55-29-48		
58	FITTING, SPECIAL	1	38-1304-1	38-1304-1		
59	FITTING	1	182-209	182-209		
60	TUBE	1	55-38-46	55-38-46		
61	FITTING	1	H182-401	H182-401		
62	TUBE	1	55-38-15	55-38-15		
63	FITTING	1	H182-390	H182-390		
64	TUBE	2	55-51-54	55-51-54		
65	FITTING	1	182-979	182-979		
66	CAP, SCREW	2	02-889	02-889		
67	AIR CLEANER ASSEMBLY	1	43-831-2 Inc. A	43-831-2 Inc. A		
68	ELEMENT, AIR CLEANER	1	43-831-1-A	43-831-1-A		
69	GAGE, RESTRICTION	1	60-560	60-560		
70	REDUCER, PIPE	1	013-1061	013-1061		
71	GASKET	1	16-2062-5	16-2062-5		
72	PLUG, PIPE	1	011-103	011-103		

**THIS PAGE LEFT INTENTIONALLY BLANK.**



2296PB

# PARTS LIST GROUPS AND COMPONENTS

MODEL WE75-100SSII			PART NUMBERS			
GROUP NO. 2 AIR RECIVER/OIL RESERVOIR - OIL SEPARATOR – OIL PIPING			STANDARD	OPTIONAL	S/N BREAK	
REF	PART DESCRIPTION	QTY	2G69-819 <b>27G116-387-3</b> G43-831-2	3G69-819 <b>27G116-387-3</b> G43-831-2	NEW STYLE <b>OIL FILTER</b> CHNG. 9-93	
				WITH HEATER		
1	AIR RECEIVER/OIL RESERVOIR	1	A69-819 Inc. A to B	1A69-819 Inc. A to B		
2	COVER	1	14-1578-4-A	14-1578-4-A		
3	SCREW, CAP	8	34-1220-1	34-1220-1		
4	WASHER, LOCK	8	05-53-B	05-53-B		
5	ELEMENT, SEPARATOR	1	43-1037-1 Inc. C	43-1037-1 Inc. C		
6	GASKET	2	16-1862-C	16-1862-C		
7	SUPPORT, RECEIVER/RESERVOIR	2	39-6723	39-6723		
8	SCREW, CAP	4	02-37	02-37		
9	WASHER, LOCK	4	05-51	05-51		
10	NUT	4	04-103	04-103		
11	WASHER, FLAT	8	06-4	06-4		
12	SCREW, CAP	4	02-70	02-70		
13	NUT	3	04-105	04-105		
4	WASHER, LOCK	4	05-53	05-53		
14	WASHER, FLAT	6	06-6	06-6		
15	BODY, THERMAL BYPASS, VALVE	1	116-387-3	116-387-3		
16	VALVE, THERMAL BYPASS	1	116-255	116-255		
17	FILTER, OIL	1	43-1017 Inc. D	43-1017 Inc. D		
18	KIT, ELEMENT FILTER	1	43-1017-1-D Inc. E & F	43-1017-1-D Inc. E & F		
	ELEMENT (NSS)	1	No Part #-E	No Part #-E		
	SEAL, BODY (NSS)	1	125-897-F	125-897-F		
19	SEAL, HOUSING	1	125-897	125-897		
20	FLANGE, FILTER	1	43-957-4	43-957-4		
21	SEAL, O-RING, FLANGE	2	125-784	125-784		
22	BRACKET	1	39-6757	39-6757		
23	BOLT, U	1	34-1495	34-1495		
24	NUT	2	04-101	04-101		
25	WASHER, LOCK	2	05-49	05-49		
26	VLAVE, DRAIN	1	15-338	15-338		
27	FITTING	1	182-725	182-725		
28	FITTING	1	182-182	182-182		
29	GAGE, TEMPERATURE	1	60-449	60-449		
30	NIPPLE, PIPE	1	013-154	013-154		
31	TEE, PIPE	1	013-1622	013-1622		
32	BUSHING, PIPE	1	013-1065	013-1065		
33	TUBE	1	55-1951-1	55-1951-1		
34	FITTING	2	182-436-5	182-436-5		
35	ELBOW, PIPE	1	013-503	013-503		
36	NIPPLE, PIPE	1	013-97	013-97		
37	VALVE, DRAIN	1	H15-1387-1	H15-1387-1		
38	VALVE, PRESSURE RELIEF	1	15-1270-4	15-1270-4		
39	ELBOW, PIPE	1	013-506	013-506		
40	CAP, FILLER	1	182-750-14	182-750-14		
41	GAGE, OIL LEVEL SIGHT	1	60-516	60-516		
42	NIPPLE, PIPE	1	013-218	013-218		
43	VALVE, MINIMUM PRESSURE/CHECK	1	15-1622 Inc. G to H	15-1622 Inc. G to H		
44	BODY	1	220-187-1-G	220-187-1-G		
45	PISTON, LARGE	1	220-187-2	220-187-2		
46	SEAL, O-RING	1	220-187-3	220-187-3		
47	SPRING, SMALL	1	220-187-4	220-187-4		
48	CAP	1	220-187-5	220-187-5		
49	SPRING, LARGE	1	220-187-6	220-187-6		

# PARTS LIST GROUPS AND COMPONENTS

MODEL WE75-100SSII			PART NUMBERS			
GROUP NO. 2 AIR RECIVER/OIL RESERVOIR - OIL SEPARATOR – OIL PIPING			STANDARD	OPTIONAL		
REF	PART DESCRIPTION	QTY	2G69-819 <b>27G116-387-3</b> G43-831-2	3G69-819 <b>27G116-387-3</b> G43-831-2		
				WITH HEATER		
50	WASHER, FLAT (SHIM)	1	06-6-1	06-6-1		
51	PISTON ASSEMBLY, SMALL	1	220-187-8-F	220-187-8-F		
52	COVER, FLANGE, UNUSED PORT	1	54-866-1	54-866-1		
53	FLANGE, DISCHARGE	1	54-866-3	54-866-3		
54	GASKET	2	16-2068	16-2068		
55	SCREW, CAP	8	02-949	02-949		
56	NIPPLE, PIPE	1	013-217	013-217		
57	ELBOW, PIPE	1	013-409	013-409		
58	HOSE	1	73-949-1	73-949-1		
59	NIPPLE, PIPE	1	013-213	013-213		
60	TEE, REDUCER	1	013-1702	013-1702		
61	PLUG, PIPE	1	011-204	011-204		
62	NIPPLE, PIPE	1	013-29	013-29		
63	TUBE	1	55-1632-7	55-1632-7		
64	FITTING	1	182-862-1	182-862-1		
65	FITTING	3	H182-383	H182-383		
66	FILTER	1	43-721	43-721		
67	VALVE, CHECK	1	15-1703	15-1703		
68	GAGE, SIGHT	1	60-453	60-453		
69	TUBE	1	55-29-72	55-29-72		
32	BUSHING, PIPE	1	013-1065	013-1065		
	HEATER, RESERVOIR	1		82-77-1		
	FITTING, CONDUIT	1		188-128-1		
	BUSHING, PIPE	1		013-1069		
	FITTING, CONDUIT	1		188-95		
	CONDUIT	AR		61-596-2		
	FITTING, CONDUIT	1		188-99		
	SEAL, WASHER	4		125-715		
	NUT, WIRE	4		121-170		
	SWITCH, TEMPERATURE	1		76-940-1		
	FITTING, CONDUIT	1		188-128		
	FITTING, CONDUIT	1		188-95		
	FITTING, CONDUIT	1		188-94		

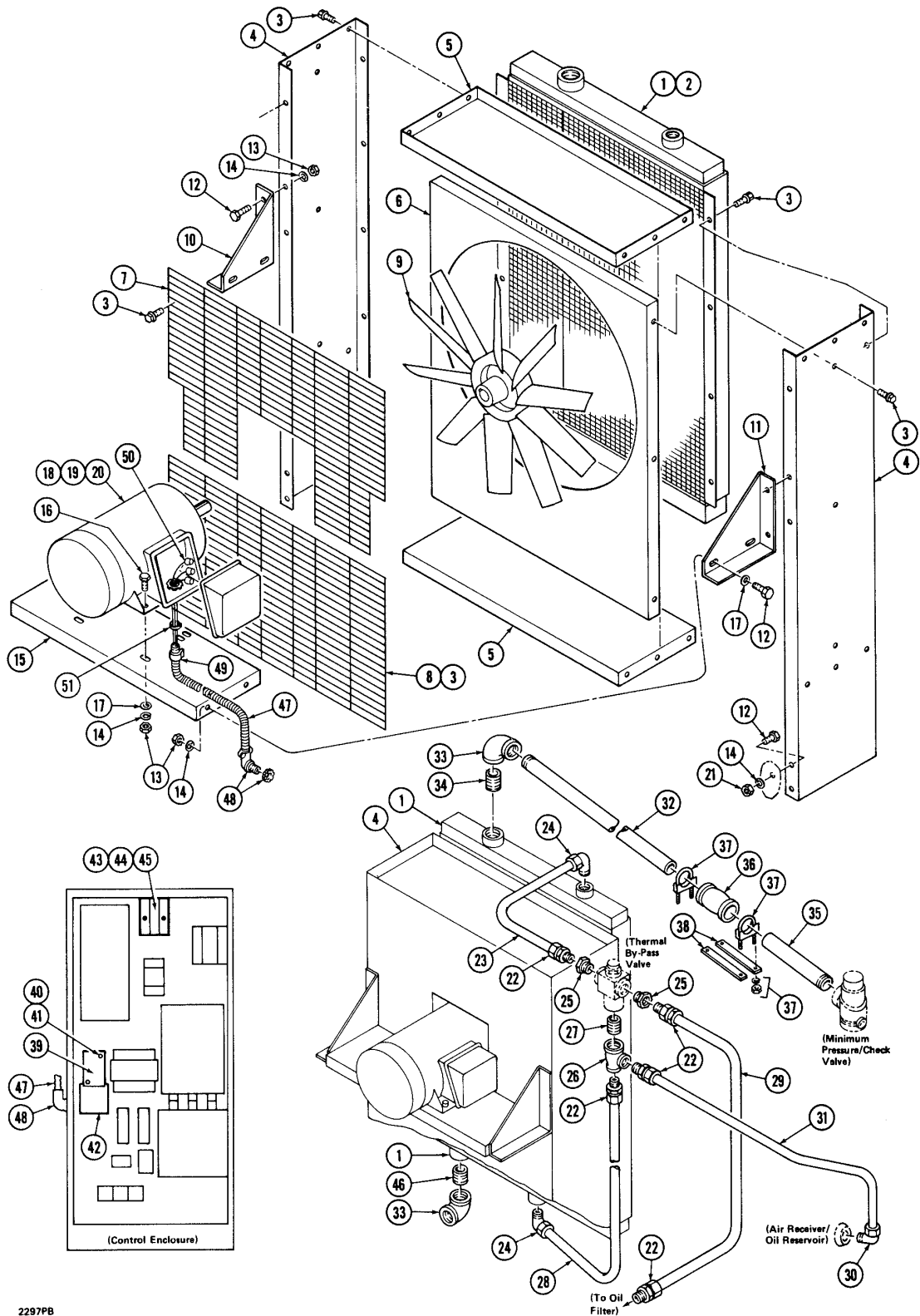
# PARTS LIST GROUPS AND COMPONENTS

**MODEL  
WE75-100SSII**

**PART NUMBERS**

**GROUP NO. 3 AIR FILTER**

			STANDARD		
			<b>2G43-944</b>		
1	AIR CLEANER	1	43-944 Inc. A & B		
	ELEMENT, PRIMARY	1	43-944-1-A		
	ELEMENT, SECONDARY	1	43-933		
	CLAMP, MOUNTING	2	83-209		
	SCREW, CAP	4	02-36		
	WASHER, FLAT	4	06-4		
	WASHER, LOCK	4	05-51		
	NUT	4	04-103		
	HOSE, ELBOW	2	73-714		
	TUBE	1	55-1641		
	CLAMP, HOSE	4	83-621-10		
	INDICATOR, RESTRICTION	1	60-560		
	COUPLING, PIPE	1	013-701		
	CONNECTION (ON AIR END)	1	A65-2495		
	GASKET, CONNECTION	1	16-2062-5		
			STANDARD	OPTIONAL	
			<b>G43-831-2</b>		
	BUSH	1	43-831-2	013-1061	
	GASKET	1	43-831-1	16-2062-5	
	AIR CLEANER REST. INDIC.	1	60-560	60-560	



2297PB

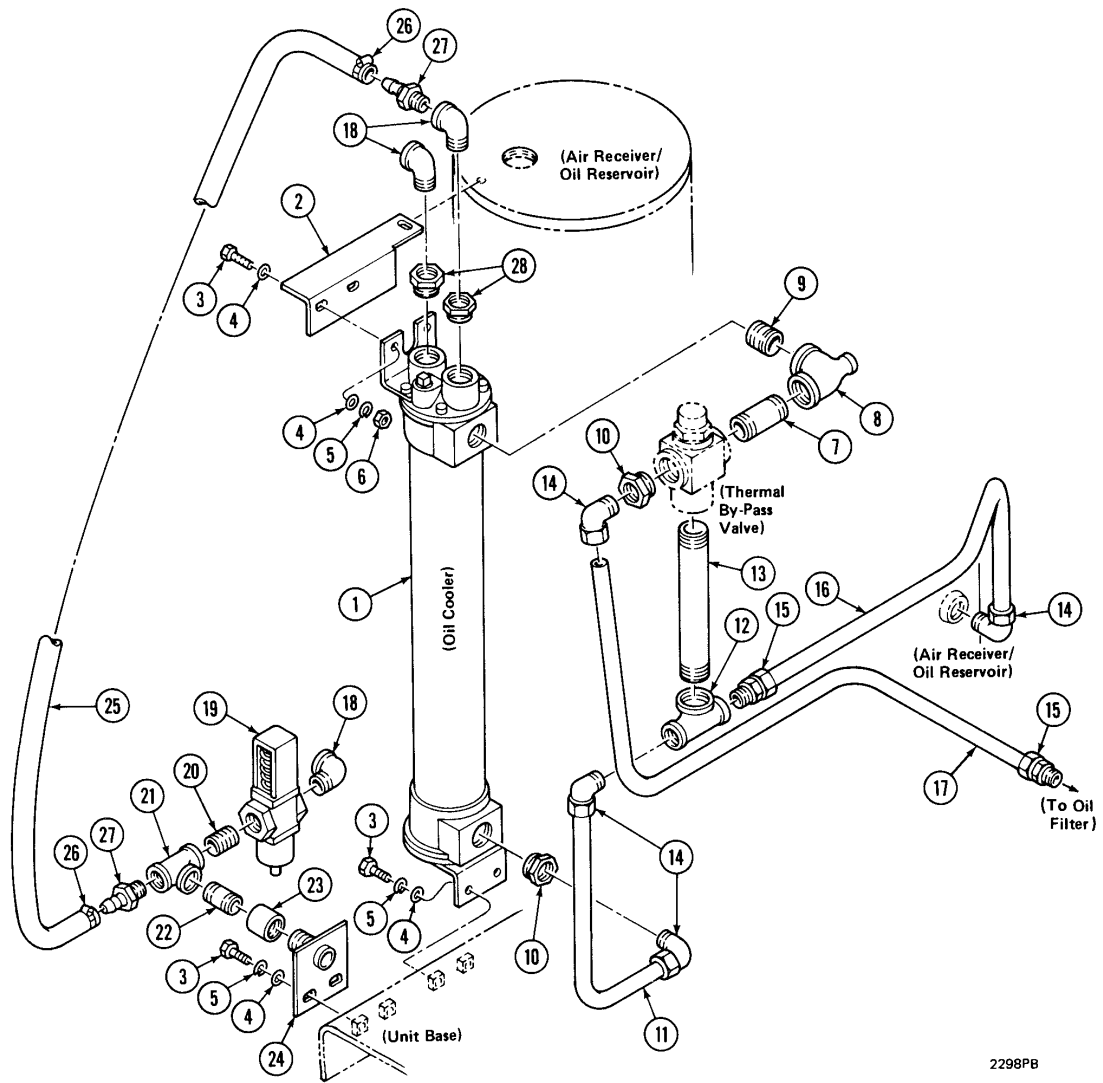
# PARTS LIST GROUPS AND COMPONENTS

MODEL WE100SSII			PART NUMBERS			
GROUP NO. 4 OIL COOLER WITH AFTERCOOLER - AIR COOLED			STANDARD	STANDARD	STANDARD	STANDARD
REF	PART DESCRIPTION	QTY	G71-1001 2G76-1116	1G71-1001 2G76-1116	2G71-1001 2G76-1116	3G71-1001 2G76-1116
			200 VOLT	230 VOLT	460 VOLT	575 VOLT
1	COOLER, OIL, WITH AFTERCOOLER	1	A71-1001 Inc. A to B	1A71-1001 Inc. A to B	1A71-1001 Inc. A to B	2A71-1001 Inc. A to B
2	OIL COOLER/AFTERCOOLER	1	71-1001-A	71-1001-A	71-1001-A	71-1001-A
3	SCREW, SPECIAL	8	34-1512-2	34-1512-2	34-1512-2	34-1512-2
4	SUPPORT	2	39-6727	39-6727	39-6727	39-6727
5	SUPPORT	2	39-6727	39-6727	39-6727	39-6727
3	SCREW, SPECIAL	12	34-1512-2	34-1512-2	34-1512-2	34-1512-2
6	SHROUD	1	201-331	201-331	201-331	201-331
3	SCREW, SPECIAL	6	34-1512-2	34-1512-2	34-1512-2	34-1512-2
7	GUARD	1	156-840	156-840	156-840	156-840
8	GUARD	1	156-841	156-841	156-841	156-841
3	SCREW, SPECIAL	8	34-1512-2	34-1512-2	34-1512-2	34-1512-2
9	FAN	1	42-326	42-326	42-326	42-326-1
10	BRACKET	1	39-6699	39-6699	39-6699	39-6699
11	BRACKET	1	39-6726	39-6726	39-6726	39-6726
12	SCREW, CAP	8	02-36	02-36	02-36	02-36
13	NUT	8	04-103	04-103	04-103	04-103
14	WASHER, LOCK	8	05-51	05-51	05-51	05-51
15	SUPPORT	1	39-6702	39-6702	39-6702	39-6702
16	SCREW, CAP	4	02-38	02-38	02-38	02-38
13	NUT	4	04-103	04-103	04-103	04-103
14	WASHER, LOCK	4	05-51	05-51	05-51	05-51
17	WASHER, FLAT	8	06-4	06-4	06-4	06-4
18	MOTOR, 3 HP, 200 V.	1	H107-698-9-B			
19	MOTOR, 3 HP, 230/460 V.	1		H107-698-10-B		
19	MOTOR, 3 HP, 23/460 V.	1			H107-698-10-B	
20	MOTOR, 3 HP, 575 V.	1				H107-698-11-B
12	SCREW, CAP	4	02-36	02-36	02-36	02-36
14	WASHER, LOCK	4	05-51	05-51	05-51	05-51
21	NUT	4	04-21	04-21	04-21	04-21
22	FITTING	1	182-436-5	182-436-5	182-436-5	182-436-5
23	TUBE	1	55-1951	55-1951	55-1951	55-1951
24	FITTING	1	182-435-9	182-435-9	182-435-9	182-435-9
25	BUSHING, PIPE	1	013-1084	013-1084	013-1084	013-1084
26	TEE, PIPE	1	013-1659	013-1659	013-1659	013-1659
27	NIPPLE, PIPE	1	013-8	013-8	013-8	013-8
22	FITTING	1	182-436-5	182-436-5	182-436-5	182-436-5
28	TUBE	1	55-1951-3	55-1951-3	55-1951-3	55-1951-3
24	FITTING	1	182-435-9	182-435-9	182-435-9	182-435-9
22	FITTING	2	182-436-5	182-436-5	182-436-5	182-436-5
29	TUBE	1	55-1952	55-1952	55-1952	55-1952
25	BUSHING, PIPE	1	013-1084	013-1084	013-1084	013-1084
30	FITTING	1	182-435-4	182-435-4	182-435-4	182-435-4
31	TUBE	1	55-1951-2	55-1951-2	55-1951-2	55-1951-2
22	FITTING	1	182-436-5	182-436-5	182-436-5	182-436-5
32	NIPPLE, SPECIAL	1	33-86-109	33-86-109	33-86-109	33-86-109
33	ELBOW, PIPE	1	013-409	013-409	013-409	013-409
34	NIPPLE, PIPE	1	013-212	013-212	013-212	013-212
35	NIPPLE, SPECIAL	1	33-86-52	33-86-52	33-86-52	33-86-52
36	COUPLING	1	28-428-1	28-428-1	28-428-1	28-428-1
37	CLAMP	2	C83-140	C83-140	C83-140	C83-140
38	STRAP	2	222-2800	222-2800	222-2800	222-2800
39	SWITCH, MAGNETIC	1	76-1083-1	76-1083-1	76-1083-1	76-1083-1
40	SCREW, SPECIAL	2	34-1201-1	34-1201-1	34-1201-1	34-1201-1
41	WASHER, FLAT	2	06-64	06-64	06-64	06-64
42	RELAY, OVERLOAD	1	76-1083-25	76-1083-25	76-1083-25	76-1083-25
43	BLOCK, FUSE	1	139-267	139-267	139-267	139-267

# PARTS LIST GROUPS AND COMPONENTS

MODEL WE100SSII			PART NUMBERS			
GROUP NO. 4 OIL COOLER WITH AFTERCOOLER - AIR COOLED			STANDARD	STANDARD	STANDARD	STANDARD
REF	PART DESCRIPTION	QTY	G71-1001 2G76-1116	1G71-1001 2G76-1116	2G71-1001 2G76-1116	3G71-1001 2G76-1116
			200 VOLT	230 VOLT	460 VOLT	575 VOLT
44	SCREW, SPECIAL	2	34-1201	34-1201	34-1201	34-1201
45	FUSE	3	139-268-30	139-268-30	139-268-30	139-268-30
46	NIPPLE, PIPE	1	013-9	013-9	013-9	013-9
33	ELBOW, PIPE	1	013-409	013-409	013-409	013-409
47	CONDUIT	AR	61-563	61-563	61-563	61-563
48	FITTING, CONDUIT	1	H121-120	H121-120	H121-120	H121-120
49	FITTING	1	121-124	121-124	121-124	121-124
50	TERMINAL, NUT	3	121-170	121-170	121-170	121-170
51	WIRE	AR	61-888-3	61-888-3	61-888-3	61-888-3
<b>OPTIONAL</b>						
	SEPARATOR, MOISTURE	1	43-815-1	43-815-1	43-815-1	43-815-1
	SWITCH, FAN CONTROL	1	76-1116	76-1116	76-1116	76-1116
	SCREW, SPECIAL	4	03-130	03-130	03-130	03-130
	WELL, SWITCH	1	76-1116-1	76-1116-1	76-1116-1	76-1116-1
	TEE, PIPE	1	013-1622	013-1622	013-1622	013-1622
	NIPPLE, PIPE	1	013-159	013-159	013-159	013-159
	BUSHING, PIPE	1	013-1069	013-1069	013-1069	013-1069
	FITTING, CONDUIT	1	188-95	188-95	188-95	188-95
	FITTING, CONDUIT, ELBOW	1	188-94	188-94	188-94	188-94
	CONDUIT	AR	61-596	61-596	61-596	61-596

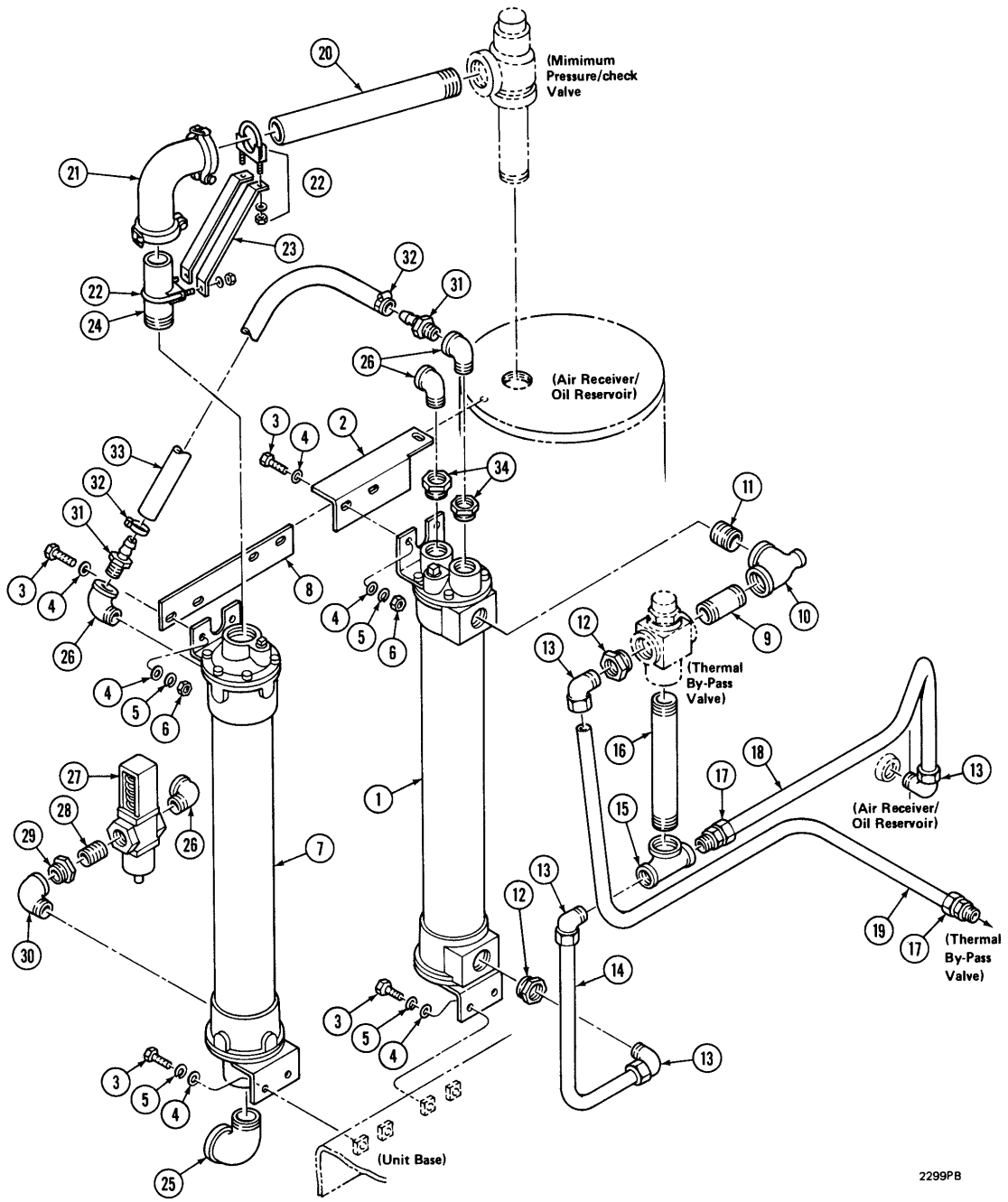
**THIS PAGE LEFT INTENTIONALLY BLANK.**



2298PB

# PARTS LIST GROUPS AND COMPONENTS

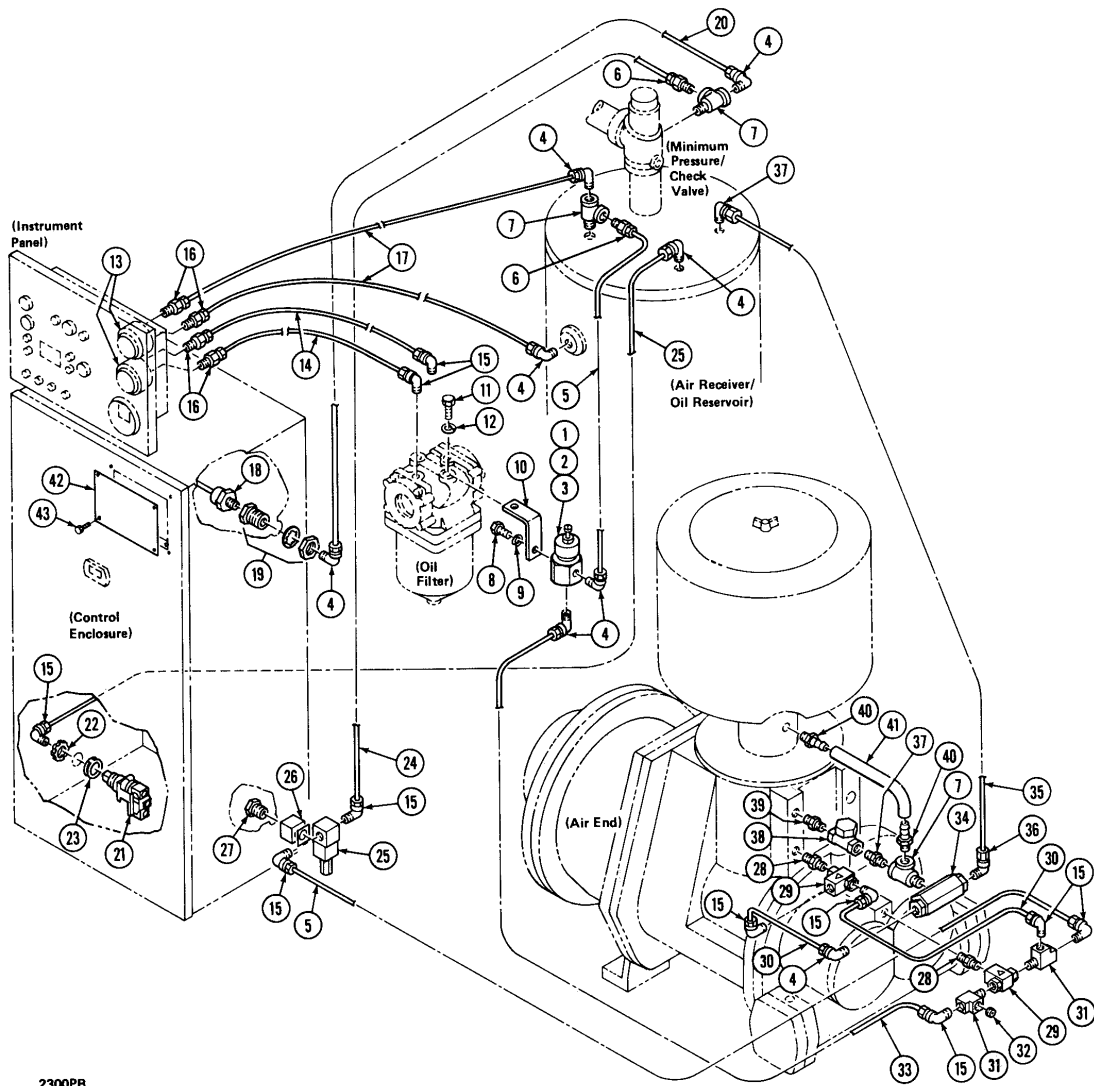
MODEL WE75-100SSII			PART NUMBERS			
GROUP. NO. 5 OIL COOLER WITHOUT AFTERCOOLER - WATER COOLED			STANDARD			
REF	PART DESCRIPTION	QTY	4G71-957			
1	COOLER, OIL	1	71-957			
2	SUPPORT, COOLER	1	39-6774			
3	SCREW, CAP	6	02-37			
4	WASHER, FLAT	8	06-4			
5	WASHER, LOCK	6	05-51			
6	NUT	2	04-103			
7	NIPPLE, PIPE	1	013-193			
8	TEE, PIPE	1	013-1886			
9	NIPPLE, PIPE	1	013-8C			
10	BUSHING, PIPE	1	013-1084			
11	TUBE	1	55-1951-4			
12	TEE, PIPE	1	013-1673			
13	NIPPLE, PIPE	1	013-202			
14	FITTING	2	182-435-4			
15	FITTING	1	182-436-5			
16	TUBE	1	55-1955			
14	FITTING	1	182-435-4			
10	BUSHING, PIPE	1	013-1084			
14	FITTING	1	182-435-4			
17	TUBE	1	55-1954			
15	FITTING	1	182-436-5			
18	ELBOW, PIPE	1	013-506-3			
19	VALVE, WATER FLOW CONTROL	1	15-1224-3			
20	NIPPLE, PIPE	1	013-152-3			
21	TEE, PIPE	1	013-606-3			
22	NIPPLE, PIPE	1	013-157-3			
23	COUPLING, PIPE	1	013-706-3			
24	SUPPORT	1	A39-6396			
25	HOSE	1	73-51-22			
26	CLAMP, HOSE	2	83-621-1			
27	FITTING, SPECIAL	2	33-1187			
18	ELBOW, PIPE	2	013-506-3			
28	BUSHING, PIPE	2	013-1079-3			
	<b>OPTIONAL</b>					
	SOLENOID, WATER SHUT-OFF	1	15-1809-1			



2299PB

# PARTS LIST GROUPS AND COMPONENTS

MODEL WE75-100SSII			PART NUMBERS			
GROUP NO. 5A OIL COOLER WITH AFTERCOOLER - WATER COOLED			STANDARD			
REF	PART DESCRIPTION	QTY	5G71-957			
1	COOLER, OIL	1	71-957			
2	SUPPORT, COOLER	1	39-6774			
3	SCREW, CAP	4	02-37			
4	WASHER, FLAT	6	06-4			
5	WASHER, LOCK	4	05-51			
6	NUT	2	04-103			
7	AFTERCOOLER	1	71-958			
8	SUPPORT, COOLER	1	39-6395			
3	SCREW, CAP	4	02-37			
4	WASHER, FLAT	6	06-4			
5	WASHER, LOCK	4	05-51			
6	NUT	2	04-103			
9	NIPPLE, PIPE	1	013-193			
10	TEE, PIPE	1	013-1886			
11	NIPPLE, PIPE	1	013-8C			
12	BUSHING, PIPE	1	013-1084			
13	FITTING	2	182-435-4			
14	TUBE	1	55-1951-4			
15	TEE, PIPE	1	013-1673			
16	NIPPLE, PIPE	1	013-202			
17	FITTING	1	182-436-5			
18	TUBE	1	55-1955			
13	FITTING	1	182-435-4			
12	BUSHING, PIPE	1	013-1084			
13	FITTING	1	182-435-4			
19	TUBE	1	55-1954			
17	FITTING	1	182-436-5			
20	NIPPLE, SPECIAL	1	33-86-93			
21	COUPLING, SPECIAL	1	28-428-8			
22	CLAMP	2	C83-140			
23	STRAP	2	39-5195			
24	NIPPLE, SPECIAL	1	33-86-44			
25	ELBOW, PIPE	1	013-509-3			
26	ELBOW, PIPE	1	013-506-3			
27	VALVE, WATER FLOW CONTROL	1	15-1224-3			
28	NIPPLE, PIPE	1	013-151-3			
29	BUSHING, PIPE	1	013-1084-3			
30	ELBOW, PIPE	1	013-508-3			
26	ELBOW, PIPE	2	013-506-3			
31	FITTING, SPECIAL	2	33-1187			
32	CLAMP, HOSE	2	83-621-1			
33	HOSE	1	73-51-29			
34	BUSHING, PIPE	2	013-1079-3			
26	ELBOW, PIPE	1	013-506-3			
	<b>OPTIONAL</b>					
	SEPARATOR, MOISTURE	1	43-815-1			
	SOLENOID, WATER SHUT-OFF	1	15-1809-1			



2300PB

# PARTS LIST GROUPS AND COMPONENTS

MODEL WE75-100SSII			PART NUMBERS		
GROUP NO. 6 CONTROLS – CONTROL PIPING, AUTO DUAL CONTROL – LEAD/LAG CONTROL			STANDARD	STANDARD	
REF	PART DESCRIPTION	QTY			
			77G15-1580	77G15-1580	
			EARLY MODELS	LATER MODELS	
1	VALVE, CONTROL PRESSURE REGULATOR	1	15-1580 Inc. A & B	15-1580 Inc. A & B	
2	SEAT	1	220-153-A	220-153-A	
3	DIAPHRAGM	1	220-153-1-B	220-153-1-B	
4	FITTING	1	H182-383	H182-383	
5	TUBE	1	55-1654-6	55-1654-6	
6	FITTING	1	H182-382	H182-382	
7	FITTING	1	182-849	182-849	
8	SCREW, CAP	1	02-32	02-32	
9	WASHER, LOCK	1	05-51	05-51	
10	BRACKET	1	39-6769	39-6769	
11	SCREW, CAP	1	02-69	02-69	
12	WASHER, LOCK	1	05-53	05-53	
13	SWITCH, INDICATOR BUBBLE TYPE	2	76-1097	76-1097	
14	TUBE	2	55-29-76	55-2976	
15	FITTING	2	H182-393	H182-393	
16	FITTING	4	H182-358	H182-358	
17	TUBE	2	55-29-36	55-29-36	
4	FITTING	2	H182-383	H182-383	
18	TRANSDUCER, PRESSURE	1	A76-1096	A76-1096	
19	FITTING	1	182-818	182-818	
	SEAL, O-RING	1	125-715	125-715	
	NUT, SPECIAL	1	53-261-1	53-261-1	
20	TUBE	1	55-1654-18	55-1654-18	
4	FITTING	2	H182-383	H182-383	
7	FITTING	1	182-849	182-849	
21	SWITCH, PRESSURE	1	76-1263	76-1263	
22	NUT, SPECIAL	2	53-261-1	53-261-1	
23	SEAL, O-RING	1	125-715	125-715	
15	FITTING	1	H182-393	H182-393	
24	TUBE	1	55-1654-22	55-1654-22	
4	FITTING	1	H182-383	H182-383	
25	VALVE, SOLENOID	1	15-1825	15-1825	
26	FITTING, CONDUIT	1	188-155	188-155	
27	NIPPLE, CONDUIT	1	188-129-1	188-129-1	
15	FITTING	2	H182-393	H182-393	
24	TUBE	1	55-1654-22	55-1654-22	
6	FITTING	1	H182-382	H182-382	
7	FITTING	1	182-849	182-849	
5	TUBE	1	55-1654-6	55-1654-6	
28	FITTING	2	182-906-2	182-906-2	
29	VALVE, SHUTTLE CHECK	2	15-1179	15-1176	
15	FITTING	5	H182-393	H182-393	
30	TUBE	1	55-1654-19	55-1654-19	
31	FITTING	2	182-182	182-182	
32*	ORIFICE, CONTROL BLEED	1	54-416-11	206-8-1	
	FITTING, ORIFICE	1		182-210	
	TUBE, VENT (TO AIR END)	1		55-29-10	
	FITTING (AT AIR END)	1		182-230	
	FITTING, TEE (AT AIR CLEANER)	1		182-849	
33	TUBE	1	55-1654-14	55-1654-14	
30	TUBE	1	55-1654-19	55-1654-19	
4	FITTING	1	H182-383	H182-383	
34	VALVE, BLOW DOWN	1	15-1717	15-1717	
35	TUBE	1	55-48-2	55-48-2	

# PARTS LIST GROUPS AND COMPONENTS

## MODEL WE75-100SSII

## PART NUMBERS

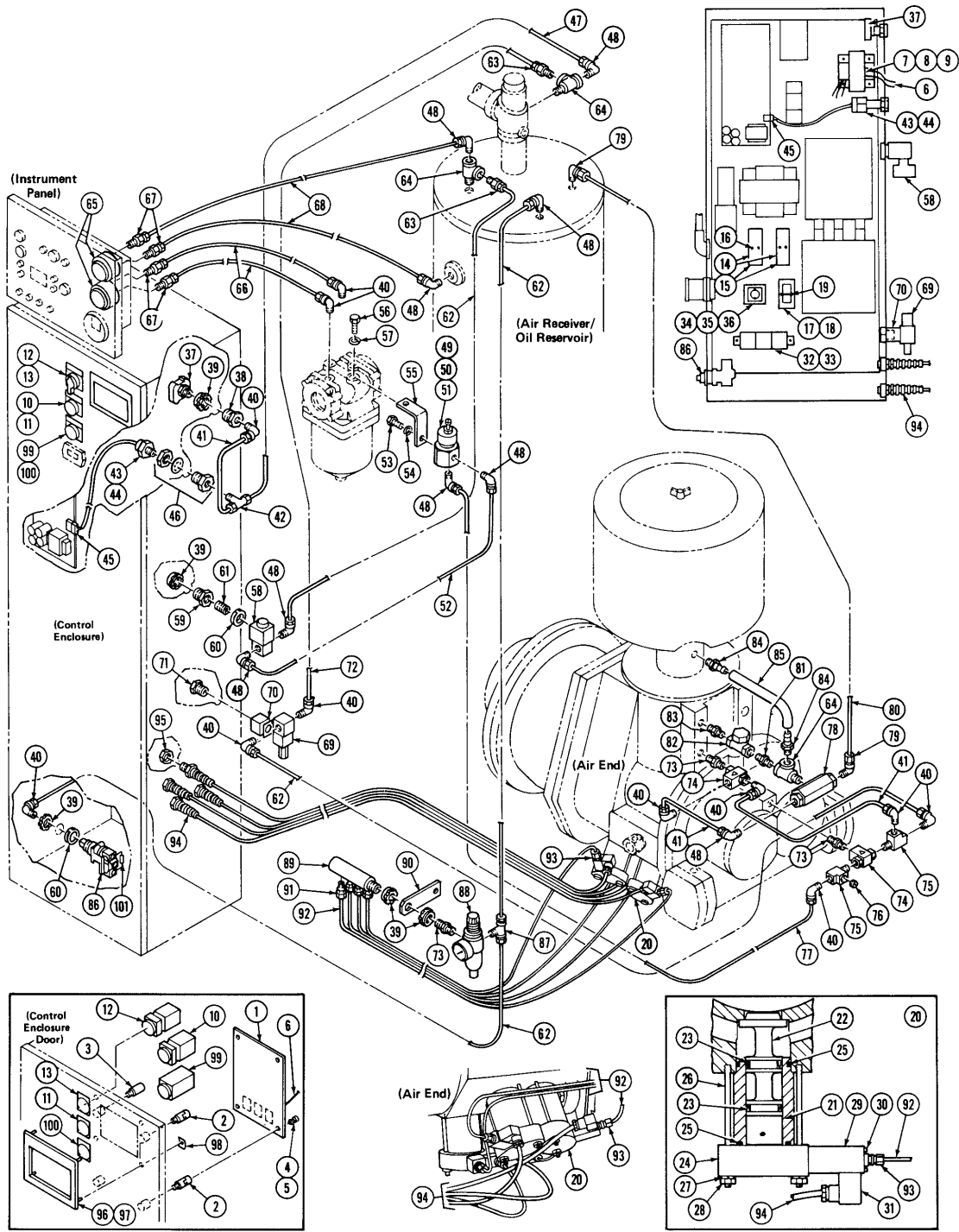
GROUP NO. 6 CONTROLS – CONTROL PIPING, AUTO  
DUAL CONTROL – LEAD/LAG CONTROL

STANDARD

STANDARD

REF	PART DESCRIPTION	QTY			
				77G15-1580	77G15-1580
				EARLY MODELS	LATER MODELS
36	FITTING	2		182-237	182-237
7	FITTING	1		182-849	182-849
37	FITTING	1		182-906	182-906
38	VALVE, CHECK	1		15-1646	15-1646
39	FITTING	1		182-775-1	182-775-1
40	FITTING, SPECIAL	2		33-1175	33-1175
41	HOSE	1		73-733-3	73-733-3
42	COVER	1		14-1862	14-1862
43	SCREW, SPECIAL	4		34-1407-7	34-1407-7
	BOARD, PRINTED CIRCUIT	1		GROUP 7	GROUP 7
	TRACING, HEAT	1		61-837	61-837

**THIS PAGE LEFT INTENTIONALLY BLANK.**



2301PB

# PARTS LIST GROUPS AND COMPONENTS

## MODEL WE75-100SSII

## PART NUMBERS

GROUP NO. 6A ELECTRONIC BYPASS CONTROL			STANDARD			
REF	PART DESCRIPTION	QTY	5G76-990-6			
1	BOARD, PRINTED CIRCUIT LESS RESISTOR BANK (ECONOTROL)	1	76-990-6			
2	SPACER, BOARD	2	22-1252			
3	SPACER, BOARD	2	22-1253			
4	SCREW, SPECIAL	8	03-70			
5	WASHER, LOCK	8	05-152			
6	WIRE, TWO CONDUCTOR	AR	61-918			
7	TRANSFORMER	1	185-20			
8	SCREW, SPECIAL	4	34-1407-4			
9	WIRE, THREE CONDUCTOR	AR	61-898			
10	SWITCH, SELECTOR	1	76-1107			
11	PLATE, LEGEND	1	62-1141-14			
12	SWITCH, SELECTOR	1	76-1126			
13	PLATE, LEGEND	1	62-1141-26			
14	BLOCK, FUSE	2	139-247			
15	FUSE	2	139-244-3			
16	SCREW, SPECIAL	4	03-1447			
17	SWITCH, RELAY	1	76-1062			
18	SOCKET, RELAY	1	76-1063-1			
19	RETAINER, RELAY	1	76-1063-2			
16	SCREW, SPECIAL	2	03-1447			
20	CYLINDER ASSEMBLY, BYPASS OPERATOR	4	2A1-851			
21	CYLINDER	1	1-851-A			
22	PISTON	1	8-857			
23	SEAL, PISTON	2	125-928-14			
24	COVER	1	14-1824			
25	SEAL, O-RING	2	125-955-51			
26	STUD	4	105-597			
27	WASHER, LOCK	4	05-49			
28	NUT	4	53-757-3-B			
29	VALVE, SOLENOID	4	15-1774-3			
30	SCREW, SPECIAL	8	03-34			
31	VALVE, CONNECTOR	4	15-1774-1			
32	BLOCK, TERMINAL	3	121-127			
33	SCREW, SPECIAL	4	34-1201-1			
34	SWITCH, RELAY, TIMER	1	76-1013-4			
35	BASE, SWITCH	1	76-1014			
36	SCREW, SPECIAL	2	34-1201-3			
37	TRANSDUCER ASSEMBLY	1	A76-989			
	TRANSDUCER, PRESSURE (NSS)	1	76-989-C			
	TERMINAL, PIN (NSS)	1	121-210			
	CONNECTOR (NSS)	1	121-211-D			
38	FITTING	1	182-920			
39	NUT, CONDUIT	1	53-261-1			
40	FITTING	1	H182-393			
41	TUBE	1	55-1654-19			
42	FITTING	1	182-817			
43	TRANSDUCER ASSEMBLY	1	A76-1096			
			Inc. E to F			
44	TRANSDUCER, PRESSURE	1	76-1096-E			
45	FITTING, CONNECTOR	1	121-228			
46	FITTING	1	182-818-F			
	SEAL, WASHER	1	125-715			
	FITTING	1	182-818			
47	TUBE	1	55-1654-18			
48	FITTING	1	H182-383			
49	VALVE, CONTROL PRESSURE REG.	1	15-1580			

# PARTS LIST GROUPS AND COMPONENTS

## MODEL WE75-100SSII

## PART NUMBERS

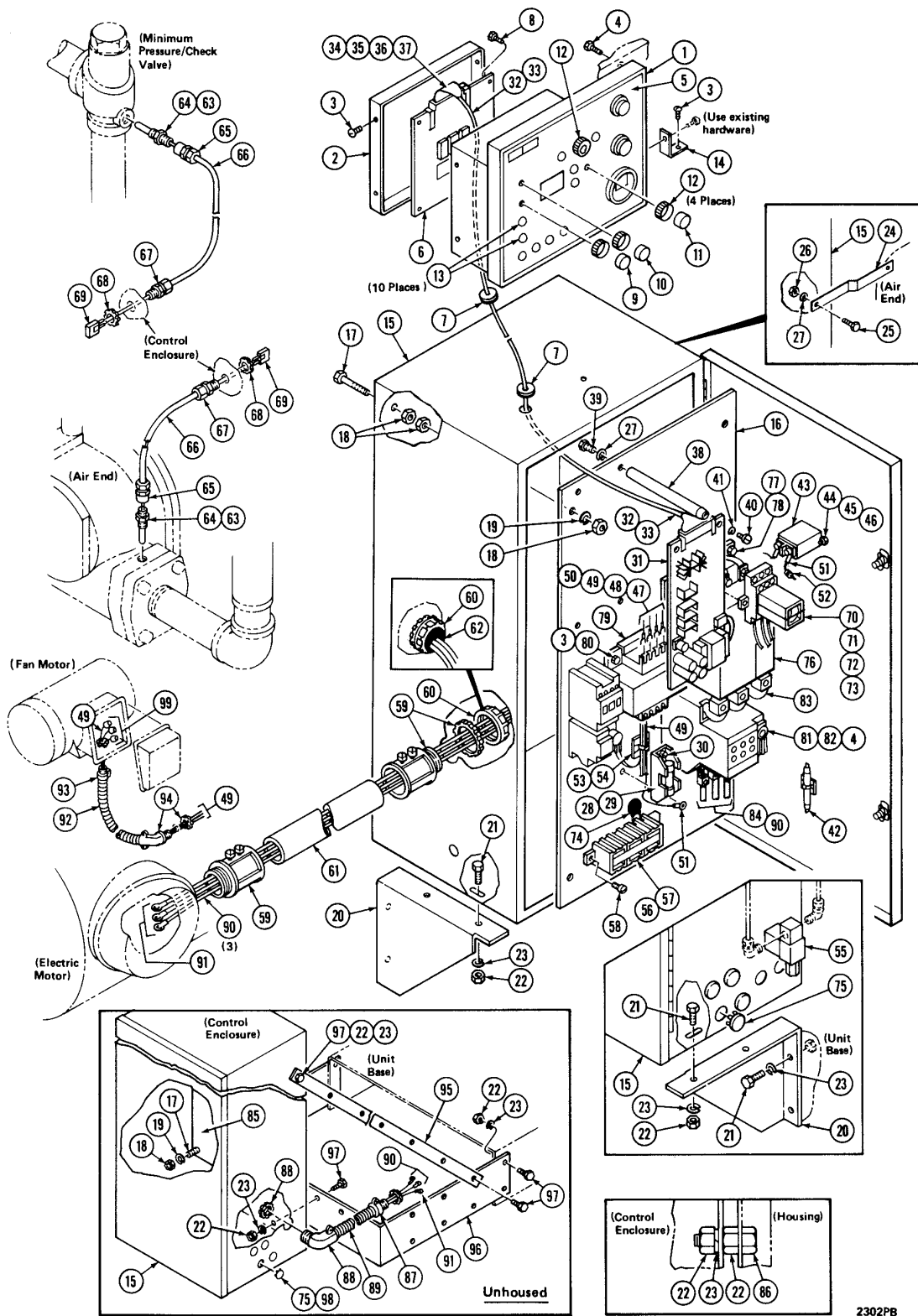
GROUP NO. 6A ELECTRONIC BYPASS CONTROL			STANDARD			
REF	PART DESCRIPTION	QTY	5G76-990-6			
			Inc. G & H			
50	DIAPHRAGM	1	220-153-G			
51	SEAT	1	220-153-1-H			
48	FITTING	2	H182-383			
52	TUBE	1	55-1654-3			
53	SCREW, CAP	1	02-32			
54	WASHER, LOCK	1	05-51			
55	BRACKET	1	39-6769			
56	SCREW, CAP	1	02-69			
57	WASHER, LOCK	1	05-53			
58	VALVE, SOLENOID (SV-2)	1	15-1807			
59	FITTING, CONDUIT	1	188-121			
60	SEAL, O-RING	1	125-715			
61	NIPPLE, PIPE	1	013-4			
39	NUT, CONDUIT	1	53-261-1			
48	FITTING	2	H182-383			
62	TUBE	1	55-1654-6			
63	FITTING	1	H182-382			
64	FITTING	1	182-849			
65	SWITCH, INDICATOR	2	76-1097			
66	TUBE	2	55-29-76			
40	FITTING	2	H182-393			
67	FITTING	4	H182-358			
68	TUBE	2	55-29-36			
48	FITTING	2	H182-383			
69	VALVE, SOLENOID (SV-1)	1	15-1891			
70	FITTING, CONDUIT	1	188-155			
71	FITTING, CONDUIT	1	188-129-1			
40	FITTING	2	H182-393			
72	TUBE	1	55-1654-22			
63	FITTING	1	H182-382			
64	FITTING	1	182-849			
62	TUBE	1	55-1654-6			
73	FITTING	2	182-906-2			
74	VALVE, SHUTTLE CHECK	2	15-1179			
40	FITTING	5	H182-393			
41	TUBE	1	55-1654-19			
75	FITTING	2	182-182			
76	ORIFICE, CONTROL BLEED	1	54-416-11			
77	TUBE	1	55-1654-14			
41	TUBE	1	55-1654-19			
48	FITTING	1	H182-383			
78	VALVE, BLOW DOWN	1	15-1717			
79	FITTING	2	182-237			
80	TUBE	1	55-48-2			
64	FITTING	1	182-849			
81	FITTING	1	182-906			
82	VALVE, CHECK	1	15-1646			
83	FITTING	1	182-775-1			
84	NIPPLE, SPECIAL	2	33-1175			
85	HOSE	1	73-833-3			
86	SWITCH, PRESSURE (PS-2)	1	76-845			
60	SEAL, O-RING	1	125-715			
39	NUT, CONDUIT	1	53-261-1			
40	FITTING	1	H182-393			
62	TUBE	1	55-1654-6			
87	FITTING	1	H182-360			
62	TUBE	1	55-1654-6			

# PARTS LIST GROUPS AND COMPONENTS

## MODEL WE75-100SSII

## PART NUMBERS

GROUP NO. 6A ELECTRONIC BYPASS CONTROL			STANDARD			
REF	PART DESCRIPTION	QTY	5G76-990-6			
48	FITTING	1	H182-383			
88	VALVE, PRESSURE REDUCING	1	116-425			
	GAGE, PRESSURE, REDUCING VALVE	1	60-619			
73	FITTING	1	182-906-2			
89	MANIFOLD	1	10-485			
39	NUT, CONDUIT	2	53-261-1			
90	BRACKET, MANIFOLD	1	39-6468-1			
91	FITTING	4	182-927			
92	TUBE	4	55-133-3			
93	FITTING	4	182-926			
94	RELIEF, STRAIN	4	188-144			
95	NUT, SPECIAL	4	013-933			
96	COVER, CLEAR	1	14-1857			
97	COVER, LENS	1	14-1861			
98	NUT, SPECIAL	4	53-794			
99	LAMP, INDICATOR	1	160-91-1			
100	PLATE, LEGEND	1	62-1141-12			
101	SURPRESSOR, PRESSURE SWITCH (MOV-1)	3	167-57			
	TRACING, HEAT	1	61-837			
	AIR BLEED VALVE	1	15-1646			



# PARTS LIST GROUPS AND COMPONENTS

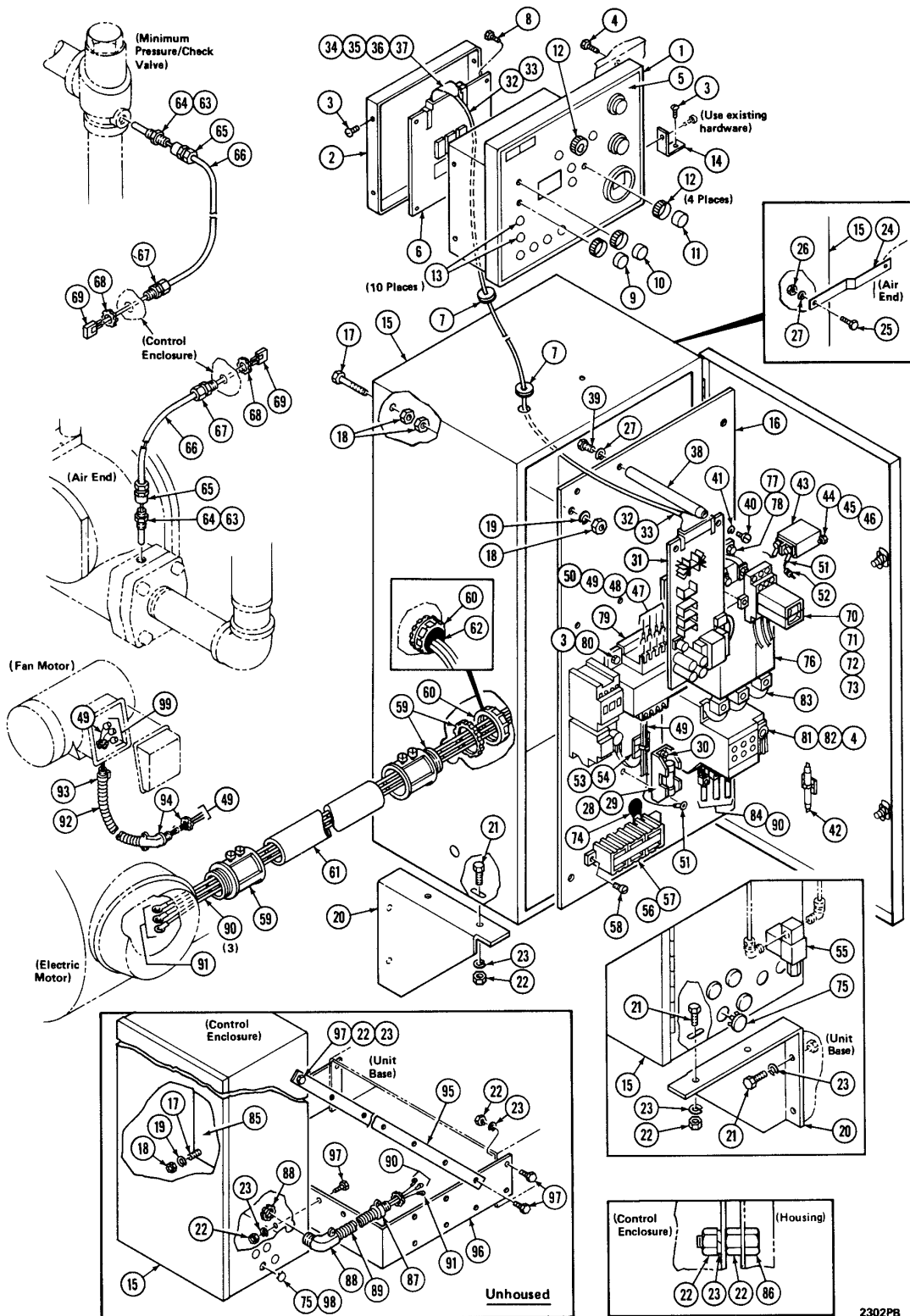
MODEL WE75SSII			PART NUMBERS			
GROUP NO. 7 INSTRUMENT PANEL – CONTROL ENCLOSURE - STARTERS			STANDARD	STANDARD	STANDARD	STANDARD
REF	PART DESCRIPTION	QTY	1A151-464 10A68-2133	1A151-464 11A68-2133	1A151-464	1A151-464
			8A68-2133	8A68-2133	2A68-2133	3A68-2133
			G60-564	G60-564	G60-564	G60-564
			G76-1083-11	1G76-1083-11	5G76-1083-9	6G76-1083-9
			200 VOLT	230 VOLT	460 VOLT	575 VOLT
	INSTRUMENT PANEL ASSEMBLY	1	1A151-464 Inc. A to B	1A151-464 Inc. A to B	1A151-464 Inc. A to B	1A151-464 Inc. A to B
1	PANEL, INSTRUMENT	1	151-464-A	151-464-A	151-464-A	151-464-A
2	COVER	1	14-1847	14-1847	14-1847	14-1847
3	SCREW, SPECIAL	4	34-1407	34-1407	34-1407	34-1407
4	SCREW, SPECIAL	4	34-1407-1	34-1407-1	34-1407-1	34-1407-1
5	DECAL, PANEL	1	62-1176	62-1176	62-1176	62-1176
6	BOARD, PRINTED CIRCUIT	1	76-1094-1	76-1094-1	76-1094-1	76-1094-1
7	GROMMET	1	C150-3	C150-3	C150-3	C150-3
8	SCREW, SPECIAL	4	03-90	03-90	03-90	03-90
9	BUTTON, SWITCH "STOP"	1	76-1058	76-1058	76-1058	76-1058
10	BUTTON, SWITCH, "START"	1	76-1058-1	76-1058-1	76-1058-1	76-1058-1
11	BUTTON, SWITCH	1	76-1058-2	76-1058-2	76-1058-2	76-1058-2
12	GUARD, SWITCH	4	156-810	156-810	156-810	156-810
13	LAMP (LENS)	10	160-95-B	160-95-B	160-95-B	160-95-B
14	BRACKET, INSTRUMENT PANEL	1	39-6797	39-6797	39-6797	39-6797
3	SCREW, SPECIAL	1	34-1407	34-1407	34-1407	34-1407
15	ENCLOSURE, CONTROL	1	68-2133	68-2133	68-2133	68-2133
16	PANEL, SUB	1	68-2133-1	68-2133-1	68-2133-1	68-2133-1
17	SCREW, CAP	4	02-21	02-21	02-21	02-21
18	NUT	12	04-102	04-102	04-102	04-102
19	WASHER, LOCK	4	05-50	05-50	05-50	05-50
20	SUPPORT	2	39-6722	39-6722	39-6722	39-6722
21	SCREW, CAP	8	02-36	02-36	02-36	02-36
22	NUT	4	04-103	04-103	04-103	04-103
23	WASHER, LOCK	8	05-51	05-51	05-51	05-51
24	SUPPORT	1	39-6790	39-6790	39-6790	39-6790
25	SCREW, CAP	1	02-2	02-2	02-2	02-2
26	NUT	1	04-101	04-101	04-101	04-101
27	WASHER, LOCK	1	05-49	05-49	05-49	05-49
28	BLOCK, FUSE	1	139-247	139-247	139-247	139-247
29	FUSE	1	139-244	139-244	139-244	139-244
30	SCREW, SPECIAL	2	03-1447	03-1447	03-1447	03-1447
	<b>AUTO DUAL CONTROL</b>					
31	BOARD, PRINTED CIRCUIT	1	76-1093-2	76-1093-2	76-1093-2	76-1093-2
	<b>LEAD/LAG CONTROL</b>					
31	BOARD, PRINTED CIRCUIT	1	76-1093-4	76-1093-4	76-1093-4	76-1093-4
32	HARNESS ASSEMBLY, WIRING	1	A61-917-1 Inc. C to D	A61-917-1 Inc. C to D	A61-917-1 Inc. C to D	A61-917-1 Inc. C to D
33	WIRE, 15 CONDUCTOR CABLE	AR	61-917-C	61-917-C	61-917-C	61-917-C
34	TERMINAL, CONNECTOR	2	121-229	121-229	121-229	121-229
35	TERMINAL, CONNECTOR	30	121-230	121-230	121-230	121-230
36	TERMINAL, CLIP	4	121-232	121-232	121-232	121-232
37	TERMINAL, CLIP	4	121-231-D	121-231-D	121-231-D	121-231-D
38	SPACER, BOARD	4	22-1246	22-1246	22-1246	22-1246
40	SCREW, SPECIAL	8	03-70	03-70	03-70	03-70
41	WASHER, LOCK	8	05-152	05-152	05-152	05-152
42	TOOL, SCREWDRIVER	1	88-665	88-665	88-665	88-665
43	GAGE, HOURMETER	1	60-575	60-575	60-575	60-575
44	SCREW, SPECIAL	2	03-58	03-58	03-58	03-58
45	WASHER, LOCK	2	05-23	05-23	05-23	05-23
46	NUT	2	04-9	04-9	04-9	04-9
47	WIRE, RED	AR	61-888-22	61-888-22	61-888-22	61-888-22
47	WIRE, WHITE	AR	61-888-23	61-888-23	61-888-23	61-888-23

# PARTS LIST GROUPS AND COMPONENTS

MODEL WE75SSII			PART NUMBERS			
GROUP NO. 7 INSTRUMENT PANEL – CONTROL ENCLOSURE - STARTERS			STANDARD	STANDARD	STANDARD	STANDARD
REF	PART DESCRIPTION	QTY	1A151-464 10A68-2133	1A151-464 11A68-2133	1A151-464	1A151-464
			8A68-2133	8A68-2133	2A68-2133	3A68-2133
			G60-564	G60-564	G60-564	G60-564
			G76-1083-11	1G76-1083-11	5G76-1083-9	6G76-1083-9
			200 VOLT	230 VOLT	460 VOLT	575 VOLT
48	TUBE, HEAT SHRINKABLE	AR	55-2268-1	55-2268-1	55-2268-1	55-2268-1
49	WIRE, GREEN	AR	61-888	61-888	61-888	61-888
49	WIRE, RED	AR	61-888-1	61-888-1	61-888-1	61-888-1
49	WIRE, WHITE	AR	61-888-2	61-888-2	61-888-2	61-888-2
49	WIRE, BLACK	AR	61-888-3	61-888-3	61-888-3	61-888-3
50	TERMINAL	6	121-99	121-99	121-99	121-99
51	TERMINAL	6	121-96	121-96	121-96	121-96
52	SPLICE, WIRE	2	121-173	121-173	121-173	121-173
53	CLAMP, WIRE	15	83-659	83-659	83-659	83-659
54	CLAMP	7	C83-659-3	C83-659-3	C83-659-3	C83-659-3
7	GROMMET	1	C150-3	C150-3	C150-3	C150-3
55	VALVE, SOLENOID	1	15-1825	15-1825	15-1825	15-1825
56	TERMINAL	1	121-157	121-157	121-157	121-157
57	CLAMP, TERMINAL	1	83-924	83-924	83-924	83-924
58	SCREW, SPECIAL	2	03-1497	03-1497	03-1497	03-1497
59	FITTING, CONDUIT	2	188-140-5	188-140-5	188-140-5	188-140-5
60	FITTING, CONDUIT	2	188-74-2	188-74-2	188-74-2	188-74-2
61	CONDUIT	AR	61-906-5	61-906-5	61-906-5	61-906-5
62	SEALER	AR	125-888	125-888	125-888	125-888
63	TRANSDUCER ASSEMBLY, TEMPERATURE	2	A76-1122-1 Inc. E to F	A76-1122-1 Inc. E to F	A76-1122-1 Inc. E to F	A76-1122-1 Inc. E to F
64	TRANSDUCER, TEMPERATURE	1	76-1122-E	76-1122-E	76-1122-E	76-1122-E
65	FITTING	1	182-611-3	182-611-3	182-611-3	182-611-3
66	TUBE	1	55-2556	55-2556	55-2556	55-2556
67	FITTING	1	182-405	182-405	182-405	182-405
68	NUT, CONDUIT	1	53-261	53-261	53-261	53-261
69	FITTING, CONDUIT	1	121-227-F	121-227-F	121-227-F	121-227-F
70	SWITCH, RELAY	1	76-1003	76-1003	76-1003	76-1003
71	SWITCH, RELAY SOCKET	1	76-1003-1	76-1003-1	76-1003-1	76-1003-1
72	SWITCH, RETAINER	1	76-1003-2	76-1003-2	76-1003-2	76-1003-2
73	SCREW, SPECIAL	2	03-1452	03-1452	03-1452	03-1452
74	SURPRESSOR, PRESSURE SWITCH ARC	2	167-57	167-57	167-57	167-57
75	PLUG, UNUSED HOLE	4	19-112-5	19-112-5	19-112-5	19-112-5
76	SWITCH, MAGNETIC STARTER	1	76-1083-11	76-1083-11	76-1083-9	76-1083-9
	SWITCH, STARTER (SOLID STATE)	1	76-1048-8	76-1048-7	76-1048-5	76-1048-5
77	SCREW, CAP	4	02-18	02-18	H34-1331	H34-1331
78	WASHER, FLAT	4	06-68	06-68	06-67	06-67
79	TRANSFORMER	1	185-13-1	185-13	185-13-2	185-13-2
3	SCREW, SPECIAL	4	34-1407	34-1407	34-1407	34-1407
80	WASHER, FLAT	4	06-65	06-65	06-65	06-65
81	RELAY, OVERLOAD	1	76-1083-76	76-1083-75	76-1083-74	76-1083-74
4	SCREW, SPECIAL	3	34-1407-1	34-1407-1		34-1201-2
82	WASHER, FLAT	3	06-67	06-67		06-64
83	LINK, CONNECTING, SET	1	61-934-1	61-934	61-934	
84	KIT, LUG	1	76-1083-51	76-1083-51	76-1083-49	76-1083-49
15	ENCLOSURE, CONTROL	1	68-2133	68-2133		
85	PANEL, SUB	1	A68-2133-2	A68-2133-2		
16	SCREW, CAP	4	02-21	02-21		
17	NUT	4	04-102	04-102		
18	WASHER, LOCK	4	05-50	05-50		
86	SCREW, CAP	4	02-37	02-37		
22	WASHER, LOCK	4	05-51	05-51		

# PARTS LIST GROUPS AND COMPONENTS

MODEL WE75SSII			PART NUMBERS			
GROUP NO. 7 INSTRUMENT PANEL – CONTROL ENCLOSURE - STARTERS			STANDARD	STANDARD	STANDARD	STANDARD
REF	PART DESCRIPTION	QTY	1A151-464 <b>10A68-2133</b> 8A68-2133 G60-564 G76-1083-11	1A151-464 <b>11A68-2133</b> 8A68-2133 G60-564 1G76-1083-11	1A151-464 2A68-2133 G60-564 5G76-1083-9	1A151-464 3A68-2133 G60-564 6G76-1083-9
			200 VOLT	230 VOLT	460 VOLT	575 VOLT
21	NUT	8	04-103	04-103		
87	FITTING, CONDUIT	1	188-116	188-116		
88	TERMINAL, CONDUIT	1	121-130	121-130		
89	CONDUIT, WIRE	1	61-650-1	61-650-1		
90	WIRE	AR	61-888-21	61-888-21	61-888-30	61-888-30
91	TERMINAL, WIRE	3	121-208-38	121-208-38	121-208-16	121-208-12
	SPLICE	3	124-175-1	124-175-1	124-175-1	
92	CONDUIT	1	61-563	61-563		
93	TERMINAL, FITTING	1	121-124	121-124		
94	TERMINAL, FITTING	1	H121-120	H121-120		
49	WIRE	AR	61-888-3	61-888-3		
95	SUPPORT, ENCLOSURE	1	39-6503	39-6503		
96	PLATE, MOUNTING	2	39-6505	39-6505		
97	SCREW, CAP	6	02-38	02-38		
23	WASHER, LOCK	6	05-51	05-51		
22	NUT	6	04-103	04-103		
98	PLUG, HOLE	7	19-112-2	19-112-2		
75	PLUG, HOLE	4	19-112-5	19-112-5		
	SPACER, BRACKET (UNHOUSED ONLY)	1	22-1262			
	ANMMETER	1	60-564	60-564	60-564-1	60-564-3
	MONITOR, PHASE	1	76-1102-1	76-1102-1	76-1102	
	HOURMETER	1	60-623			
	HOURMETER RD	1	60-457			



2302PB

# PARTS LIST GROUPS AND COMPONENTS

MODEL WE100SSII			PART NUMBERS			
GROUP NO. 7A INSTRUMENT PANEL – CONTROL ENCLOSURE - STARTERS			STANDARD	STANDARD	STANDARD	STANDARD
REF	PART DESCRIPTION	QTY	1A151-464 10A68-2133 8A68-2133 G60-564 G76-1083-12	1A151-464 10A68-2133 8A68-2133 G60-564 2G76-1083-11	1A151-464 6A68-2133 G60-564-1 2G76-1083-10	1A151-464 7A68-2133 G60-564-3 7G76-1083-9
			200 VOLT	230 VOLT	460 VOLT	575 VOLT
	INSTRUMENT PANEL ASSEMBLY	1	1A151-464 Inc. A to B	1A151-464 Inc. A to B	1A151-464 Inc. A to B	1A151-464 Inc. A to B
1	PANEL, INSTRUMENT	1	151-464-A	151-464-A	151-464-A	151-464-A
2	COVER	1	14-1847	14-1847	14-1847	14-1847
3	SCREW, SPECIAL	4	34-1407	34-1407	34-1407	34-1407
4	SCREW, SPECIAL	4	34-1407-1	34-1407-1	34-1407-1	34-1407-1
5	DECAL, PANEL	1	62-1176	62-1176	62-1176	62-1176
6	BOARD, PRINTED CIRCUIT	1	76-1094-1	76-1094-1	76-1094-1	76-1094-1
7	GROMMET	1	C150-3	C150-3	C150-3	C150-3
8	SCREW, SPECIAL	4	03-90	03-90	03-90	03-90
9	BUTTON, SWITCH, "STOP"	1	76-1058	76-1058	76-1058	76-1058
10	BUTTON, SWITCH, "START"	1	76-1058-1	76-1058-1	76-1058-1	76-1058-1
11	BUTTON, SWITCH	1	76-1058-2	76-1058-2	76-1058-2	76-1058-2
12	GUARD, SWITCH	4	156-810	156-810	156-810	156-810
13	LAMP (LENS)	10	160-95-B	160-95-B	160-95-B	160-95-B
14	BRACKET, INSTRUMENT PANEL	1	39-6797	39-6797	39-6797	39-6797
3	SCREW, SPECIAL	1	34-1407	34-1407	34-1407	34-1407
15	ENCLOSURE, CONTROL	1	68-2133	68-2133	68-2133	68-2133
16	PANEL, SUB	1	68-2133-1	68-2133-1	68-2133-1	68-2133-1
17	SCREW, CAP	4	02-21	02-21	02-21	02-21
18	NUT	12	04-102	04-102	04-102	04-102
19	WASHER, LOCK	4	05-50	05-50	05-50	05-50
20	SUPPORT	2	39-6722	39-6722	39-6722	39-6722
21	SCREW, CAP	8	02-36	02-36	02-36	02-36
22	NUT	4	04-103	04-103	04-103	04-103
23	WASHER, LOCK	8	05-51	05-51	05-51	05-51
24	SUPPORT	1	39-6790	39-6790	39-6790	39-6790
25	SCREW, CAP	1	02-2	02-2	02-2	02-2
26	NUT	1	04-101	04-101	04-101	04-101
27	WASHER, LOCK	1	05-49	05-49	05-49	05-49
28	BLOCK, FUSE	1	139-247	139-247	139-247	139-247
29	FUSE	1	139-244	139-244	139-244	139-244
30	SCREW, SPECIAL	2	03-1447	03-1447	03-1447	03-1447
31	BOARD, PRINTED CIRCUIT	1	76-1093-2	76-1093-2	76-1093-2	76-1093-2
32	HARNES ASSEMBLY, WIRING	1	A61-917-2 Inc. C to D	A61-917-2 Inc. C to D	A61-917-2 Inc. C to D	A61-917-2 Inc. C to D
33	WIRE, 15 CONDUCTOR	AR	61-917-C	61-917-C	61-617-C	61-617-C
34	TERMINAL, CONNECTOR	2	121-229	121-229	121-229	121-229
35	TERMINAL, CONNECTOR	30	121-230	121-230	121-230	121-230
36	TERMINAL, CLIP	4	121-232	121-232	121-232	121-232
37	TERMINAL, CLIP	4	121-231	121-231	121-231	121-231
	RELIEF, STRAIN	2	188-136-2-D	188-136-2-D	188-136-2-D	188-136-2-D
38	SPACER, BOARD	4	22-1251	22-1251	22-1251	22-1251
39	SCREW, CAP	4	02-3	02-3	02-3	02-3
27	WASHER, LOCK	4	05-49	05-49	05-49	05-49
40	SCREW, SPECIAL	4	03-70	03-70	03-70	03-70
41	WASHER, LOCK	4	05-152	05-152	05-152	05-152
42	TOOL, SCREWDRIVER	1	88-665	88-665	88-665	88-665
43	GAGE, HOURMETER	1	60-575	60-575	60-575	60-575
44	SCREW, SPECIAL	2	03-58	03-58	03-58	03-58
45	WASHER, LOCK	2	05-23	05-23	05-23	05-23
46	NUT	2	04-9	04-9	04-9	04-9
47	WIRE, RED	AR	61-888-22	61-888-22	61-888-22	61-888-22
47	WIRE, WHITE	AR	61-888-23	61-888-23	61-888-23	61-888-23

# PARTS LIST GROUPS AND COMPONENTS

MODEL WE100SSII			PART NUMBERS			
GROUP NO. 7A INSTRUMENT PANEL – CONTROL ENCLOSURE - STARTERS			STANDARD	STANDARD	STANDARD	STANDARD
REF	PART DESCRIPTION	QTY	1A151-464 10A68-2133	1A151-464 10A68-2133	1A151-464 6A68-2133	1A151-464 7A68-2133
			8A68-2133	8A68-2133	6A68-2133	7A68-2133
			G60-564	G60-564	G60-564-1	G60-564-3
			G76-1083-12	2G76-1083-11	2G76-1083-10	7G76-1083-9
			200 VOLT	230 VOLT	460 VOLT	575 VOLT
48	TUBE, HEAT SHRINKABLE	AR	55-2268-1	55-2268-1	55-2268-1	55-2268-1
49	WIRE, GREEN	AR	61-888	61-888	61-888	61-888
49	WIRE, RED	AR	61-888-1	61-888-1	61-888-1	61-888-1
49	WIRE, WHITE	AR	61-888-2	61-888-2	61-888-2	61-888-2
49	WIRE, BLACK	AR	61-888-3	61-888-3	61-888-3	61-888-3
50	TERMINAL	6	121-99	121-99	121-99	121-99
51	TERMINAL	6	121-96	121-96	121-96	121-96
52	SPLICE, WIRE	2	121-173	121-173	121-173	121-173
53	CLAMP, WIRE	15	83-659	83-659	83-659	83-659
54	CLAMP	7	C83-659-3	C83-659-3	C83-659-3	C83-659-3
7	GROMMET	1	C150-3	C150-3	C150-3	C150-3
55	VALVE, SOLENOID	1	15-1825	15-1825	15-1825	15-1825
56	TERMINAL	1	121-157	121-157	121-157	121-157
57	CLAMP, TERMINAL	1	83-924	83-924	83-924	83-924
58	SCREW, SPECIAL	2	03-1497	03-1497	03-1497	03-1497
59	FITTING, CONDUIT	2	188-140-5	188-140-5	188-140-5	188-140-5
60	FITTING, CONDUIT	2	188-74-1	188-74-1	188-74-1	188-74-1
61	CONDUIT	AR	61-906-5	61-906-5	61-906-5	61-906-5
62	SEALER	2	125-888	125-888	125-888	125-888
63	TRANSDUCER ASSEMBLY, TEMPERATURE	2	A76-1122-1	A76-1122-1	A76-1122-1	A76-1122-1
	FILTER RESTRICTION INDICATOR	1	60-560	60-560	60-560	60-560
64	TRANSDUCER, TEMPERATURE	1	76-1122-F	76-1122-F	76-1122-F	76-1122-F
65	FITTING	1	182-611-3	182-611-3	182-611-3	182-611-3
66	TUBE	1	55-2556	55-2556	55-2556	55-2556
67	FITTING	1	182-405	182-405	182-405	182-405
68	NUT, CONDUIT	1	53-261	53-261	53-261	53-261
69	FITTING, CONDUIT	1	121-227-F	121-227-F	121-227-F	121-227-F
70	SWITCH, RELAY	1	76-1003	76-1003	76-1003	76-1003
71	SWITCH, RELAY SOCKET	1	76-1003-1	76-1003-1	76-1003-1	76-1003-1
72	SWITCH, RETAINER	1	76-1003-2	76-1003-2	76-1003-2	76-1003-2
73	SCREW, SPECIAL	2	03-1452	03-1452	03-1452	03-1452
74	SURPRESSOR, PRESSURESWITCH ARC	2	167-57	167-57	167-57	167-57
75	PLUG, UNUSED HOLE	4	19-112-5	19-112-5	19-112-5	19-112-5
76	SWITCH, MAGNETIC STARTER SWITCH, MAGNETIC STARTER (Y DELTA)	1	76-1083-12	76-1083-11	76-1083-10	76-1083-9
	SWITCH, MAGNETIC STARTER (PART WINDING)	2	76-1083		76-1083-8	
77	SCREW, CAP	4	02-18	02-18	H34-1331	H34-1331
78	WASHER, FLAT	4	06-68	06-68	06-67	06-67
79	TRANSFORMER	1	185-13-1	185-13	185-13-2	185-13-2
3	SCREW, SPECIAL	4	34-1407	34-1407	34-1407	34-1407
80	WASHER, FLAT	4	06-65	06-65	06-65	06-65
81	RELAY, OVERLOAD (DELTA)	1	76-1083-76	76-1083-76	76-1083-75	76-1083-75
81	RELAY, OVERLOAD (PART WINDING)	2			76-1083-37	
4	SCREW, SPECIAL	3	34-1407-1	34-1407-1	34-1407-1	34-1407-1
82	WASHER, FLAT	3	06-27	06-27	06-67	06-67
83	LINK, CONNECTING, SET	1	61-934-1	61-934-1	61-934	61-934
84	KIT, LUG	1	76-1083-51	76-1083-51	76-1083-50	76-1083-50
14	ENCLOSURE, CONTROL	1	68-2133	68-2133		
85	PANEL, SUB	1	A68-2133-2	A68-2133-2		
16	SCREW, CAP	4	02-21	02-21		

# PARTS LIST GROUPS AND COMPONENTS

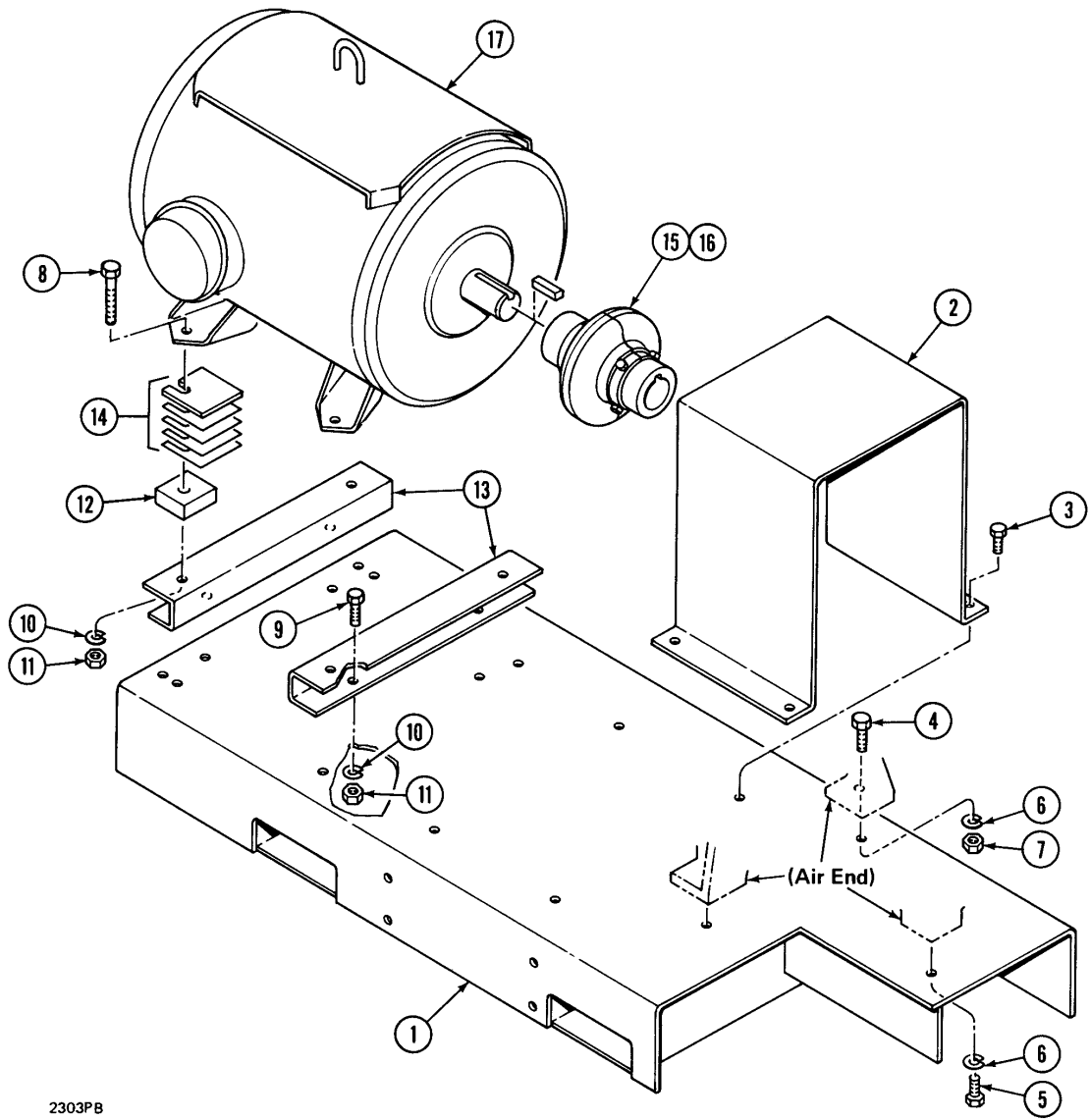
## MODEL WE100SSII

## PART NUMBERS

GROUP NO. 7A INSTRUMENT PANEL – CONTROL  
ENCLOSURE - STARTERS

STANDARD    STANDARD    STANDARD    STANDARD

REF	PART DESCRIPTION	QTY	STANDARD	STANDARD	STANDARD	STANDARD
			1A151-464 <b>10A68-2133</b>	1A151-464 <b>10A68-2133</b>	1A151-464	1A151-464
			8A68-2133	8A68-2133	6A68-2133	7A68-2133
			G60-564	G60-564	G60-564-1	G60-564-3
			G76-1083-12	2G76-1083-11	2G76-1083-10	7G76-1083-9
			200 VOLT	230 VOLT	460 VOLT	575 VOLT
17	NUT	4	04-102	04-102		
18	WASHER, LOCK	4	05-50	05-50		
86	SCREW, CAP	4	02-37	02-37		
22	WASHER, LOCK	4	05-51	05-51		
21	NUT	8	04-103	04-103		
87	FITTING, CONDUIT	1	188-146	188-146		
88	TERMINAL, CONDUIT	1	121-146-1	121-146-1		
89	CONDUIT, WIRE	1	61-922	61-922		
90	WIRE	AR	61-888-20	61-888-20	61-888-28	61-888-29
91	TERMINAL, WIRE	3	121-208-54	121-208-54	121-208-26	121-208-16
92	CONDUIT	1	61-563	61-563		
93	TERMINAL, FITTING	1	121-124	121-124		
94	TERMINAL, FITTING	1	H121-120	H121-120		
49	WIRE	AR	61-888-3	61-888-3		
95	SUPPORT, ENCLOSURE	2	39-6503	39-6503		
96	PLATE, MOUNTING	1	39-6505	39-6505		
97	SCREW, CAP	6	02-38	02-38		
23	WASHER, LOCK	6	05-51	05-51		
22	NUT	6	04-103	04-103		
98	PLUG, HOLE	7	19-112-2	19-112-2		
75	PLUG, HOLE	4	19-112-5	19-112-5		
	SPACER, BRACKET (UNHOUSED ONLY)	1	22-1262			
	AMMETER	1	60-564	60-564	60-564-1	60-564-3
	MONITOR, PHASE	1	76-1102-1	76-1102-1	76-1102	



2303PB

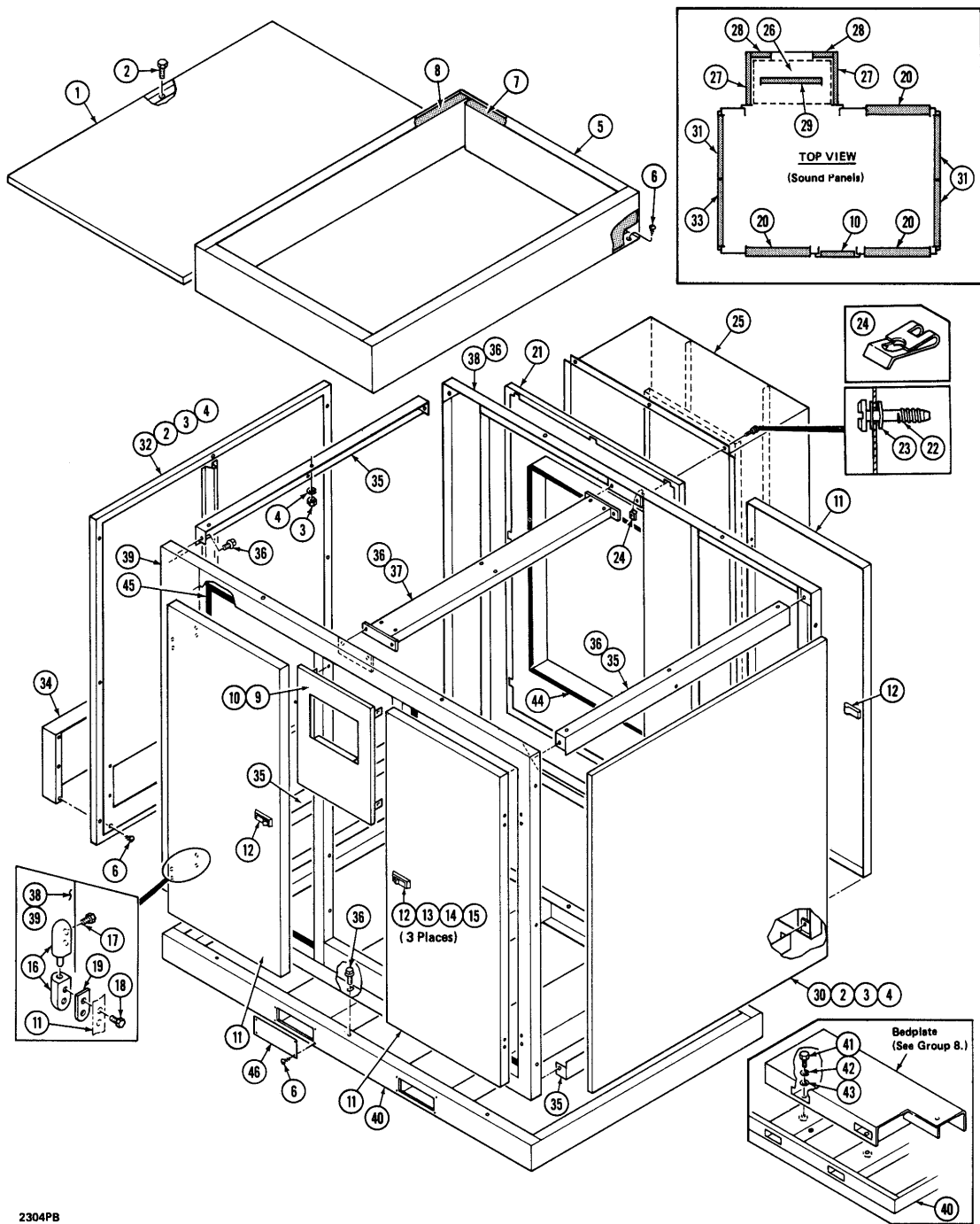
# PARTS LIST GROUPS AND COMPONENTS

## MODEL WE75-100SSII

## PART NUMBERS

**GROUP NO. 8 UNIT BASE – DRIVE – ELECTRIC MOTORS**

REF	PART DESCRIPTION	QTY	STANDARD	STANDARD		
			G118-1180	G118-1180		
			WE75SSII	WE100SSII		
1	BEDPLATE ASSEMBLY	1	A118-1180	A118-1180		
2	GUARD, COUPLING	1	156-818	156-818		
3	SCREW, SPECIAL	4	H34-1255	H34-1255		
4	SCREW, CAP	1	02-1013	02-1013		
5	SCREW, CAP	2	02-117	02-117		
6	WASHER, LOCK	3	05-57	05-57		
7	NUT	3	04-109	04-109		
8	SCREW, CAP	4	02-109	02-103		
9	SCREW, CAP	4		02-101		
10	WASHER, LOCK	4	05-55	05-55		
11	NUT	4	04-108	(8) 04-108		
12	SPACER	4	22-1191	22-1191		
13	SUPPORT	2	39-6749	39-6749		
14	SHIM, .005 BLUE	AR	22-782	22-782		
14	SHIM, .0075 TRANSMATTE	AR	22-782-1	22-782-1		
14	SHIM, .020 YELLOW	AR	22-782-2	22-782-2		
14	SHIM, .059 STEEL	AR	22-782-3	22-782-3		
14	SHIM, .1345 STEEL	AR	22-782-4	22-782-4		
15	COUPLING (50HZ)	1	28-589-4	28-423-7		
15	COUPLING, DRIVE (60HZ)	1	28-629-3	28-629-4		
16	MEMBER, FLEXIBLE <b>200 VOLT</b>	1	Inc. A 28-629-5	Inc. A 28-629-5-A		
17	MOTO, ODP	1	107-865-56	107-865-60		
17	MOTOR, ODP, PART WINDING	1	107-865-81	107-865-85		
17	MOTOR, ODP, WYE-DELTA	1		107-865-68		
17	MOTOR, TEFC	1	107-870-44	107-870-48		
17	MOTOR, ODP, ENERGY EFF.	1	107-876-74	107-876-78		
17	MOTOR, TEFC, ENERGY EFF.	1	107-917-53	107-917-65		
	<b>230 VOLT</b>					
17	MOTOR, ODP	1	107-865-57	107-865-61		
17	MOTOR, ODP, PART WINDING	1	107-865-82	107-865-86		
17	MOTOR, ODP, WYE-DELTA	1		107-865-69		
17	MOTOR, TEFC	1	107-870-45	107-870-49		
17	MOTOR, ODP, ENERGY EFF.	1	107-876-75	107-876-79		
17	MOTOR, TEFC, ENERGY EFF.	1	107-917-54	107-917-66		
	<b>460 VOLT</b>					
17	MOTOR, ODP	1	107-865-58	107-865-62		
17	MOTOR, ODP, PART WINDING	1	107-865-83	107-865-87		
17	MOTOR, ODP, WYE-DELTA	1		107-865-70		
17	MOTOR, ODP, ENERGY EFF.	1	107-870-46	107-870-50		
17	MOTOR, ODP, ENERGY EFF.	1	107-876-76	107-876-80		
17	MOTOR, TEFC, ENERGY EFF.	1	107-876-55	107-876-67		
	<b>575 VOLT</b>					
17	MOTOR, ODP	1	107-865-59	107-865-63		
17	MOTOR, ODP, PART WINDING	1	107-865-84	107-865-88		
17	MOTOR, ODP, WYE-DELTA	1		107-865-71		
17	MOTOR, TEFC	1	107-870-47	107-870-51		
17	MOTOR, ODP, ENERGY EFF.	1	107-876-77	107-876-81		
17	MOTOR, TEFC, ENERGY EFF.	1	107-876-56	107-876-68		
	CAPACITOR (TEFC & ODP)	1	76-1095 Series	76-1095 Series		
	KEY, DRIVE	1	09-172	09-172		
8	SCREW, CAP	4	02-109	02-109		
10	WASHER, LOCK	4	05-55	05-55		
11	NUT	4	04-108	04-108		



2304PB

# PARTS LIST GROUPS AND COMPONENTS

## MODEL WE75-100SSII

## PART NUMBERS

GROUP NO. 9 HOUSING – AIR COOLED			STANDARD	QUIET	OPTIONAL	OPTIONAL
REF	PART DESCRIPTION	QTY	G68-2131	2G68-2131	3G68-2131	4G68-2131
					WITH OPTIONAL AIR CLEANER	WITH OPTIONAL AIR CLEANER
1	PANEL, TOP	2	68-2131	68-2131	68-2131	68-2131
2	SCREW, CAP	8	02-3	02-3	02-3	02-3
3	NUT	8	04-101	04-101	04-101	04-101
4	WASHER, LOCK	8	05-49	05-49	05-49	05-49
5	DUCT, TOP	1	A68-2130	A68-2130	A68-2130	A68-2130
6	SCREW, SPECIAL	8	H34-579-2	H34-579-2	H34-579-2	H34-579-2
7	PANEL, SOUND ABSORPTION	2		124-115-15		124-115-15
8	PANEL, SOUND ABSORPTION	2		124-115-16		124-115-16
9	PANEL, INSTRUMENT	1	A151-470	A151-470		A151-470
6	SCREW, SPECIAL	4	H34-579-2	H34-579-2	H34-579-2	H34-579-2
10	PANEL, SOUND ABSORPTION	1		124-115-23		124-115-23
11	PANEL, DOOR	3	68-3148	68-3148	68-3148	68-3148
12	LATCH	3	178-158-1	178-158-1	178-158-1	178-158-1
13	SCREW, SPECIAL	3	03-137	03-137		
14	NUT	6	04-27	04-27		
15	WASHER, SPECIAL	3	20-1075	20-1075		
16	HINGE	6	17-1309	17-1309		
17	SCREW, SPECIAL	12	34-1364-21	34-1364-21	34-1364-24	34-1364-24
18	SCREW, SPECIAL	12	34-1364-22	34-1364-22	34-1364-22	34-1364-22
19	SPACER, HINGE	6	22-1220	22-1220	22-1220	22-1220
20	PANEL, SOUND ABSORPTION	3		124-115-17		124-115-17
21	PANEL, REAR	1	A68-3149	A68-3149	A68-3149	A68-3149
22	SCREW, SPECIAL	7	34-1530	34-1530	34-1530	34-1530
23	WASHER, RETAINING	7	20-907	20-907	20-907	20-907
24	NUT	7	53-586	53-586	53-586	53-586
25	DUCT, DISCHARGE	1		1A68-3162		1A68-3162
26	PANEL, SOUND ABSORPTION	2		124-115-19		124-115-19
27	PANEL, SOUND ABSORPTION	2		124-115-20		124-115-20
28	PANEL, SOUND ABSORPTION	2		124-115-21		124-115-21
29	PANEL, SOUND ABSORPTION	1		124-115-22		124-115-22
30	PANEL, END	1	A68-2134	A68-2134	A68-2134-1	A68-2134-1
2	SCREW, CAP	8	02-3	02-3	02-3	02-3
3	NUT	8	04-101	04-101	04-101	04-101
4	WASHER, LOCK	8	05-49	05-49	05-49	05-49
31	PANEL, SOUND ABSORPTION	2		124-115-17		124-115-17
32	PANEL, END	1	A68-3150	A68-3150	A68-3150	A68-3150
2	SCREW, CAP	8	02-3	02-3	02-3	02-3
3	NUT	8	04-101	04-101	04-101	04-101
4	WASHER, LOCK	8	05-49	05-49	05-49	05-49
31	PANEL, SOUND ABSORPTION	1		124-115-17		124-115-17
33	PANEL, SOUND ABSORPTION	1		124-115-18		124-115-18
34	PANEL, DUCT	1	68-3106-1	68-3106-1	68-3106-1	68-3106-1
6	SCREW, SPECIAL	6	H34-579-2	H34-579-2	H34-579-2	H34-579-2
35	SUPPORT, END	4	A39-6703	A39-6703	A39-6703	A39-6703
36	SCREW, SPECIAL	10	34-1512	34-1512	34-1512	34-1512
37	SUPPORT, CENTER	1	A39-6720	A39-6720	A39-6720	A39-6720
36	SCREW, SPECIAL	4	34-1512	34-1512	34-1512	34-1512
38	SUPPORT, HOUSING	1	A39-6716	A39-6716	A39-6716	A39-6716
36	SCREW, SPECIAL	3	34-1512	34-1512	34-1512	34-1512
39	SUPPORT, HOUSING	1	A39-6719	A39-6719	A39-6719	A39-6719
36	SCREW, SPECIAL	3	34-1512	34-1512	34-1512	34-1512
40	FRAME, HOUSING	1	A118-1182	A118-1182	A118-1182	A118-1182
41	SCREW, CAP	4	02-100	02-100	02-100	02-100
42	WASHER, LOCK	4	05-55	05-55	05-55	05-55

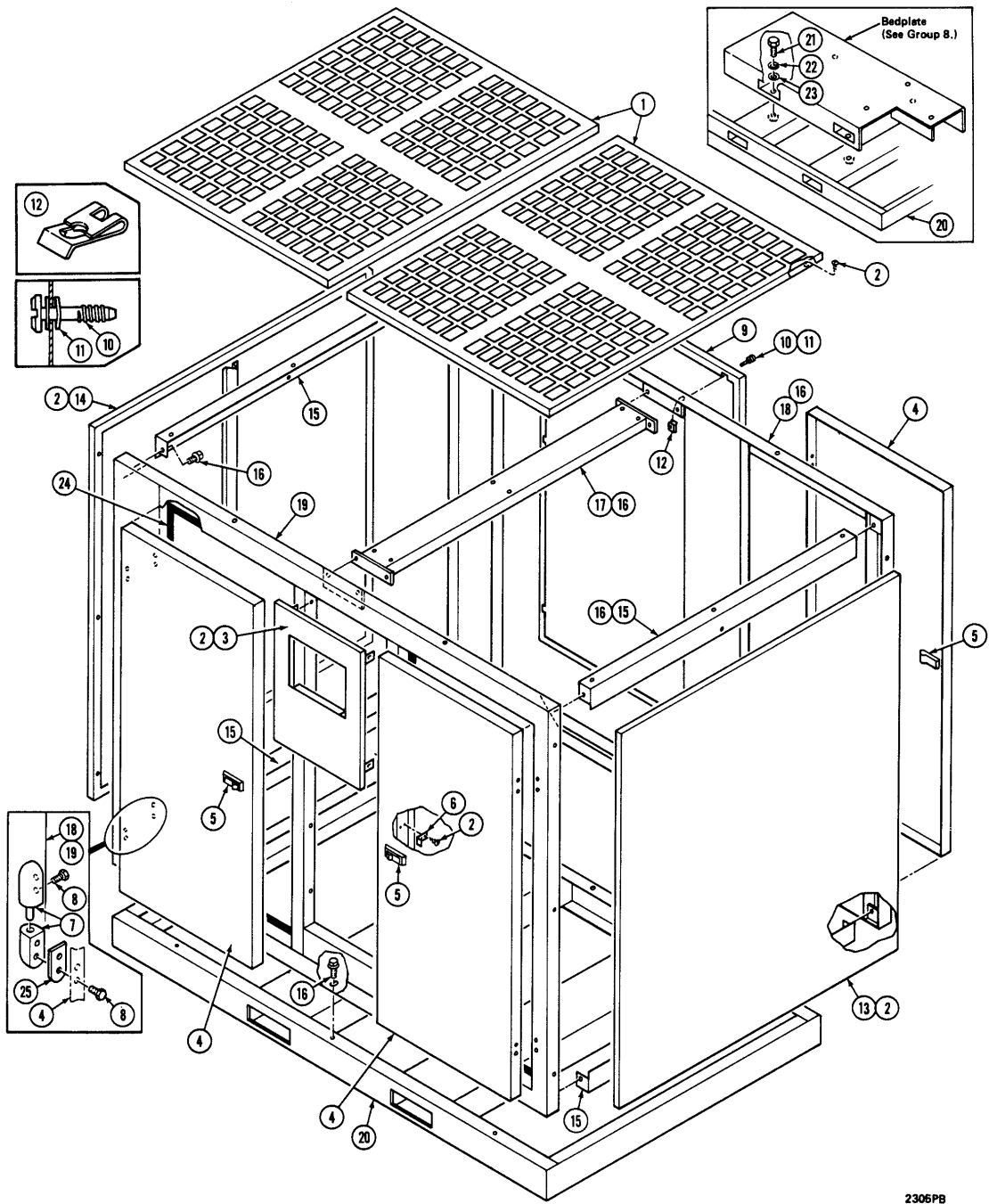
# PARTS LIST GROUPS AND COMPONENTS

## MODEL WE75-100SSII

## PART NUMBERS

GROUP NO. 9 HOUSING – AIR COOLED			STANDARD	QUIET	OPTIONAL	OPTIONAL
REF	PART DESCRIPTION	QTY	G68-2131	2G68-2131	3G68-2131	4G68-2131
					WITH OPTIONAL AIR CLEANER	WITH OPTIONAL AIR CLEANER
43	WASHER, FLAT	4	06-8	06-8	06-8	06-8
44	SEAL, COOLER	AR	125-909	125-909	125-909	125-909
45	SEAL, DOOR	AR	125-921	125-921	125-921	125-921
6	SCREW, SPECIAL	4	H34-579-2	H34-579-2	H34-579-2	H34-579-2
46	COVER	4		14-1816		14-1816
	PANEL, COVER, AIR CLEANER	1			68-1224	68-1224
	SCREW, SPECIAL	1			34-1530	34-1530
	WASHER, SPECIAL	1			20-907	20-907
	NUT, SPECIAL	1			53-586	53-586

**THIS PAGE LEFT INTENTIONALLY BLANK.**



2306PB

# PARTS LIST GROUPS AND COMPONENTS

## MODEL WE75-100SSII

## PART NUMBERS

**GROUP NO. 9A HOUSING – WATER COOLED**

			STANDARD	OPTIONAL		
REF	PART DESCRIPTION	QTY				
			G68-2132	1G68-2132		
			STANDARD AIR CLEANER	WITH OPTIONAL AIR CLEANER		
1	PANEL, TOP	2	68-2132	68-2132		
2	SCREW, SPECIAL	16	H34-579-2	H34-579-2		
3	PANEL, INSTRUMENT	1	A151-470	A151-470		
2	SCREW, SPECIAL	4	H34-579-2	H34-579-2		
4	PANEL, DOOR	3	68-3148	68-3148		
5	LATCH	3	178-158-1	178-158-1		
6	BRACKET	3	39-6437	39-6437		
2	SCREW, SPECIAL	6	H34-579-2	H34-579-2		
7	HINGE	6	17-1309	17-1309		
8	SCREW, CAP	24	02-775	02-775		
	SCREW, SPECIAL	12		34-1364-21		
	SCREW, SPECIAL	12		34-1364-22		
9	PANEL, REAR	1	68-2149	68-2149		
10	SCREW, SPECIAL	7	34-1530	34-1530		
11	WASHER, RETAINING	7	20-907	20-907		
12	NUT, SPEED	7	53-586	53-586		
13	PANEL, END	1	A68-2134	A68-2134-1		
2	SCREW, SPECIAL	8	H34-579-2	H34-579-2		
14	PANEL, END	1	A68-3150	A68-3150		
2	SCREW, SPECIAL	8	H34-579-2	H34-579-2		
15	SUPPORT, END	4	A39-6703	A39-6703		
16	SCREW, SPECIAL	10	34-1512	34-1512		
17	SUPPORT, CENTER	1	A39-6720	A39-6720		
16	SCREW, SPECIAL	4	34-1512	34-1512		
18	SUPPORT, HOUSING	1	A39-6716	A39-6716		
16	SCREW, SPECIAL	3	34-1512	34-1512		
19	SUPPORT, HOUSING	1	A39-6719	A39-6719		
16	SCREW, SPECIAL	3	34-1512	34-1512		
20	FRAME, HOUSING	1	A118-1182	A118-1182		
21	SCREW, CAP	4	02-100	02-100		
22	WASHER, LOCK	4	05-55	05-55		
23	WASHER, FLAT	4	06-8	06-8		
24	SEAL, DOOR	AR	125-923	125-923		
25	SPACER, HINGE	6	22-1220	22-1220		
	PANEL, COVER, AIR CLEANER	1		68-1224		
	SCREW, SPECIAL	4		34-1530		
	WASHER, SPECIAL	4		20-907		
	NUT, SPECIAL	4		53-586		

# PARTS LIST GROUPS AND COMPONENTS

**MODEL  
WE75-100SSII**

**PART NUMBERS**

**GROUP NO. 10 DECALS AND LABELS**

			STANDARD		
REF	PART DESCRIPTION	QTY			
			G62-1180		
	DECAL, INSTRUCTIONS, OPERATING	1	62-1180		
	DECAL, "DRAIN DAILY"	1	62-341		
	DECAL, 200 VOLT	AR	H62-628		
	DECAL, 230 VOLT	AR	H62-628-1		
	DECAL, 460 VOLT	AR	H62-628-2		
	DECAL, 575 VOLT	AR	H62-628-3		
	DECAL, "DISCONNECT POWER"	3	62-598		
	DECAL, GROUNDING, INSTRUCTIONS	1	62-742		
	DECAL, "HIGH VOLTAGE"	2	62-1019		
	DECAL, ROTATION	1	62-1201		
	DECAL, "CAUTION"	1	62-839		
	DECAL, "ADD OIL"	1	62-1108		
	DECAL, OIL FILL FITTING	1	62-1109		
	DECAL, "WORKING PRESSURE"	1	62-1118		
	DECAL, "LEROI LION"	2	62-1151		
	DECAL, COPORATE MARK	2	62-1150		
	DECAL, WE75SSII	AR	62-1177-14		
	DECAL, WE100SSII	AR	62-1177-15		
	DECAL, "INSTRUCTIONS", WATER PIPING	1	62-1181		
	DECAL, "ECONOTROL"	1	62-1142		

# PARTS LIST GROUPS AND COMPONENTS

**MODEL  
WE75-100SSII**

**PART NUMBERS**

**GROUP NO. 11 TOOLS**

			STANDARD			
REF	PART DESCRIPTION	QTY				
	METER, ECONOTROL ADJUSTING	1	60-567			