



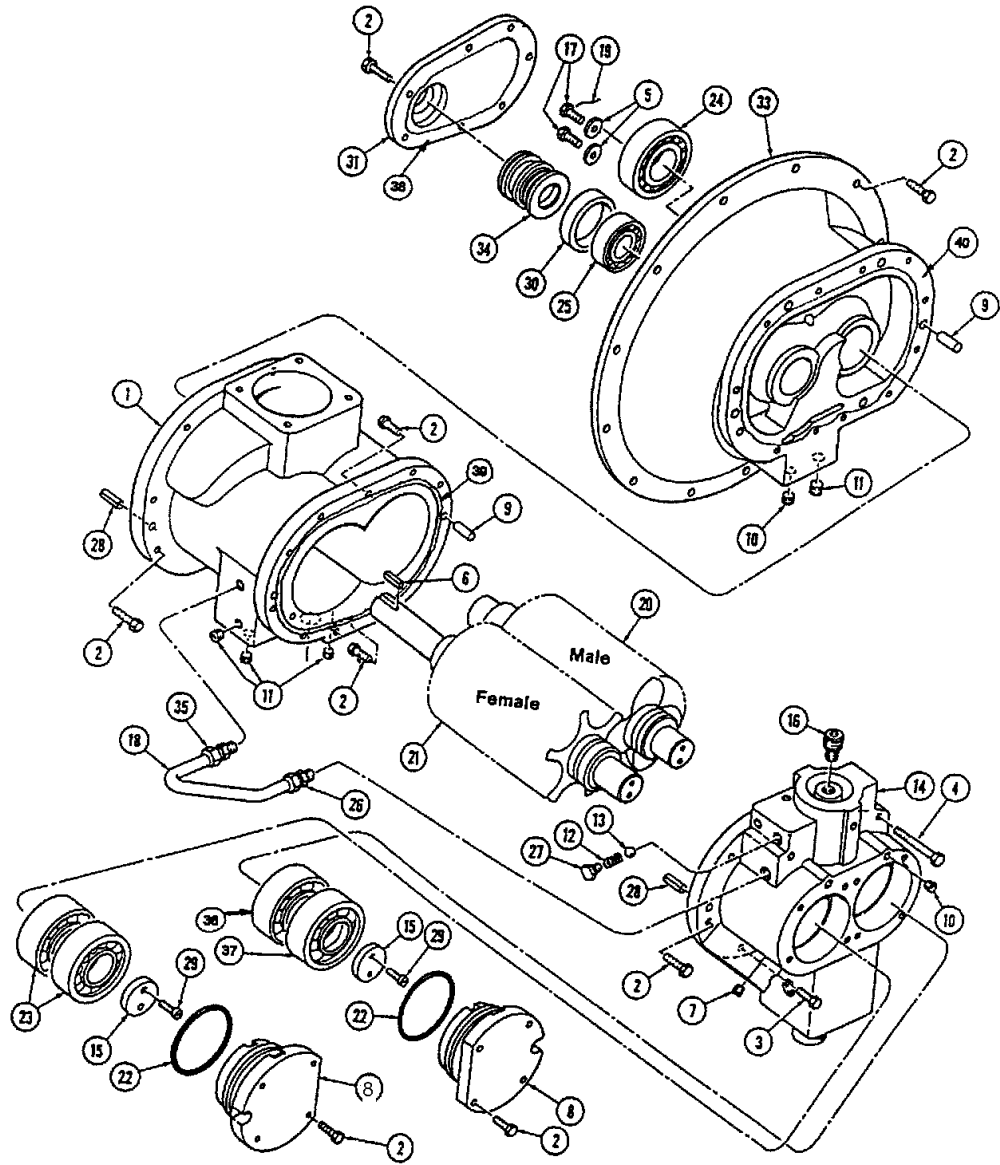
INDEX PARTS LIST

MODEL
Q185 DJE
Q200 DJE

AUGUST 1999

3449x, 3462x, 3463, 3477x, 3515x, 3535x

GROUP NUMBER	GROUP NAME	GROUP NUMBER	GROUP NAME
1	AIR END		
2	AIR RECEIVER/OIL RESERVOIR-OIL SEPARATOR		
3	AIR CLEANER-STANDARD		
4	RADIATOR - OIL COOLER- SHROUD		
5	AIR/OIL AND CONTROL PIPING		
6	INTAKE VALVE - SPEED CONTROL		
7	ENGINE - SUPPORTS - DRIVE COUPLING - FAN		
8	BATTERY AND CABLES		
9	MUFFLER		
10	INSTRUMENT PANEL		
11	HOUSING		
12	FUEL TANK		
13	FRAME - LIFTING BAIL- JACKSTAND		
14	RUNNING GEAR		
15	DECALS AND LABELS		
			<p>WHEN CONSULTING YOUR DISTRIBUTOR OR THE FACTORY CONCERNING YOUR COMPRESSOR OR WHEN ORDERING SERVICE LITERATURE OR SERVICE PARTS, ALWAYS FURNISH COMPLETE UNIT MODEL AND SERIAL NUMBER.</p> <p>NOTE: ILLUSTRATIONS USED IN THIS PARTS LIST ARE OF TYPICAL PARTS AND MAY DIFFER IN DETAIL.</p> <p>P/L 3449x, 3462x, 3463x, 3477x, 3515x, 3535x</p> <p>ECN 46284</p>



TI00153 ECN 46284

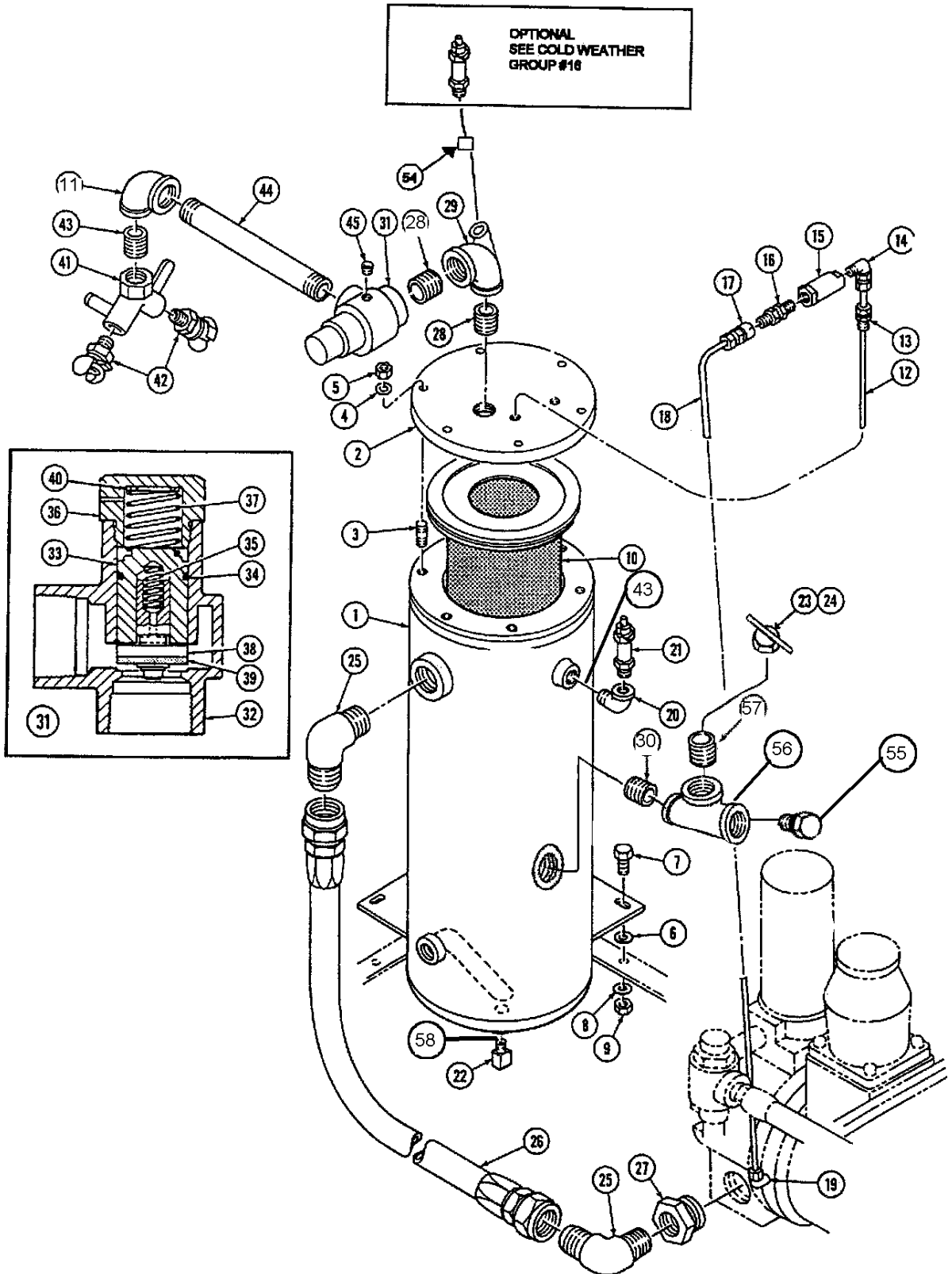
PARTS LIST GROUPS AND COMPONENTS

MODEL
Q185,200 DJE

PART NUMBERS

GROUP NO. 1 AIR END			STANDARD		
REF	PART DESCRIPTION	QTY	2A219-178		
	AIR END SERVICE ASSEMBLY	1	2A219-178		
1	CYLINDER	1	1-826-15		
2	SCREW, Cap	24	02-37		
3	SCREW, Cap	2	02-40		
4	SCREW, Cap	2	02-46		
	SCREW, Cap	2	02-44		
5	WASHER, Flat	2	06-4		
6	KEY	1	09-141		
7	PLUG, Pipe	1	011-103		
8	RETAINER, Bearing	2	14-1763		
9	PIN, Dowel	2	17-647		
10	PLUG, Pipe	2	19-202		
11	PLUG, Pipe	6	011-102		
12	SPRING, By-Pass Valve	1	24-786		
13	BALL, By-Pass Valve	1	H30-51		
14	RETAINER, Bearing	1	31-949-3		
15	RETAINER, Bearing	2	31-675		
16	NIPPLE, Special	1	33-1184		
17	SCREW, Cap	2	34-841-8		
18	TUBE	1	55-38-53		
19	WIRE, Locking	AR	61-5		
20	ROTOR, Male	1	101-188-1		
21	ROTOR, Female	1	101-191		
22	SEAL, O-Ring	2	125-955-27		
23	BEARING, Rear	2	181-377		
24	BEARING, Front	1	181-437		
25	BEARING, Front	1	181-578		
26	FITTING	1	H182-390		
27	FITTING, Plug	1	182-833-3		
28	PIN, Roll	2	17-598-52		
29	SCREW, Cap, Special	4	34-1518		
30	SPACER, Bearing	1	22-1185		
31	RETAINER, Seal	1	14-1544-2		
32	PLUG, Pipe	4	011-101-3		
33	RETAINER, Front	1	31-1008		
34	SEAL, Input Shaft	1	125-940		
35	FITTING, Flexible	1	H182-384		
36	BEARING	1	181-404		
37	BEARING, 4-Point	1	181-627		
38	GASKET	1	16-2100		
39	O-RING	1	125-955		
40	GASKET	1	16-2094		
	AIREND SERVICE KIT (Included All Bearing, Seals & Gaskets)		A204-1801		

AR = AS REQUIRED



TI00154 ECN 46284

PARTS LIST GROUPS AND COMPONENTS

MODEL
Q185,200 DJE

PART NUMBERS

GROUP NO. 2

AIR RECEIVER/OIL RESERVOIR-OIL SEPARATOR

4G69-841

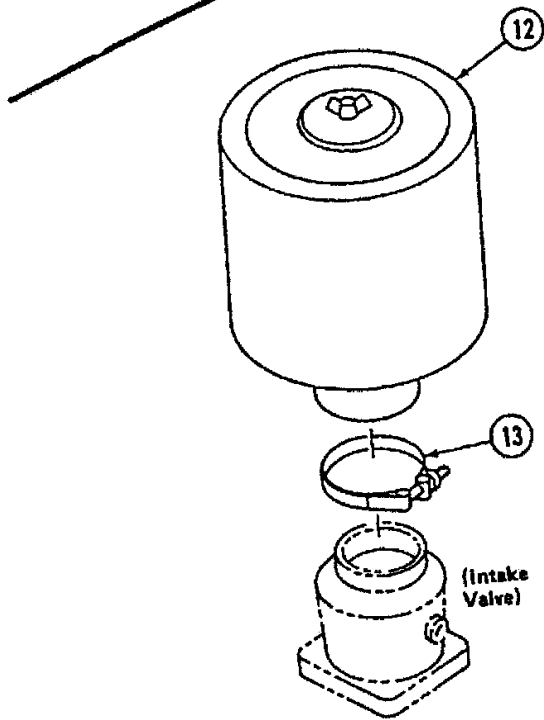
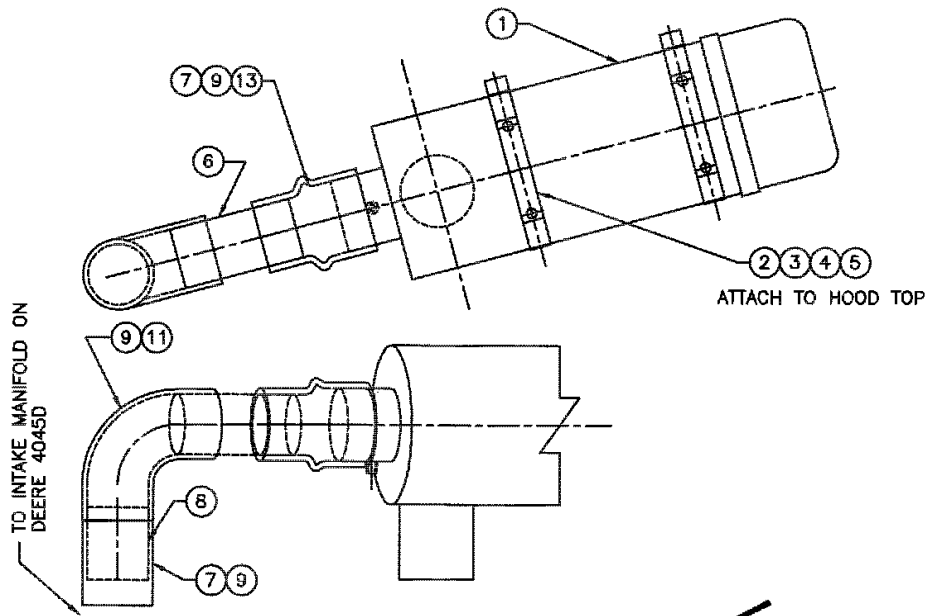
REF	PART DESCRIPTION	QTY	STANDARD
1	AIR RECEIVER/OIL RESERVOIR	1	3A69-841 Inc. A to B
2	COVER	1	14-1772—A
3	STUD	6	105-585
4	WASHER, Lock	6	20-917
5	NUT	6	53-788--B
6	WASHER, Shim, Spacer	AR	06-4-1
7	SCREW, Cap	4	02-37-1
8	WASHER, Lock	4	05-51-1
9	NUT	4	04-103-1
10	ELEMENT, Separator	1	43-1038
11	ELBOW	1	013-459-3
12	TUBE	1	55-1632-6
13	FITTING	1	182-862-1
14	FITTING	1	182-230
15	FILTER, Drain Line	1	43-721
16	VALVE, Check	1	15-1703
17	FITTING	1	182-611-1
18	TUBE	1	55-29-46
19	FITTING	1	182-208
20	ELBOW, Pipe	1	013-431-3
21	VALVE, Pressure Relief	1	15-1270-1
22	VALVE, Drain	1	011-3-3
23	DIPSTICK/FILLER CAP	1	8A4-268 Inc. D
24	SEAL, O-Ring	1	16-1352
25	FITTING	2	182-434-19
26	HOSE	1	73-959
27	BUSHING, Pipe	1	013-1092-3
28	NIPPLE, Pipe	2	013-171-3
29	ELBOW, Pipe	1	013-1642-3
30	NIPPLE, Pipe	1	013-8-3
31	VALVE, Minimum Pressure	1	15-1667 Inc. E to F
32	BODY	1	220-182-1—E
33	PISTON	1	220-182-3
34	SEAL, O-Ring	1	125-826-29
35	SPRING, Small	1	220-187-4
36	CAP	1	220-159-5
37	SPRING, Large	1	220-159-6
38	PISTON ASSEMBLY	1	220-159-7
39	SEAT	1	220-159-8
40	SHIM, Washer	1	06-69—F
41	VALVE, Service	1	15-1828
42	COUPLING, Hose	2	28-264
43	NIPPLE, Pipe	1	013-6
44	NIPPLE, Pipe	1	013-182
45	PLUG, Pipe	2	011-2-3
46	NIPPLE, Pipe	2	013-72-3
	AR = AS REQUIRED		

PARTS LIST GROUPS AND COMPONENTS

MODEL
Q185,200 DJE

GROUP NO. 2			STANDARD	PART NUMBERS	
REF	PART DESCRIPTION	QTY			
AIR RECEIVER/OIL RESERVOIR-OIL SEPARATOR			4G69-841		
47	CROSS, Pipe	1	182-1109		
48	NIPPLE, Pipe	1	013-2A-3		
49	VALVE, Blow Down (Dump)	1	15-1717		
50	ORIFICE, Valve	1	19-610-1		
51	FITTING	1	H182-383		
52	TUBE	1	55-1654-13		
53	ELBOW	1	182-1105		
54	PIPE PLUG	1	011-204-3		
55	GAGE, VIEW	1	60-516		
56	TEE	1	013-608-3		
57	NIPPLE	1	33-798		

THIS PAGE LEFT INTENTIONALLY BLANK.



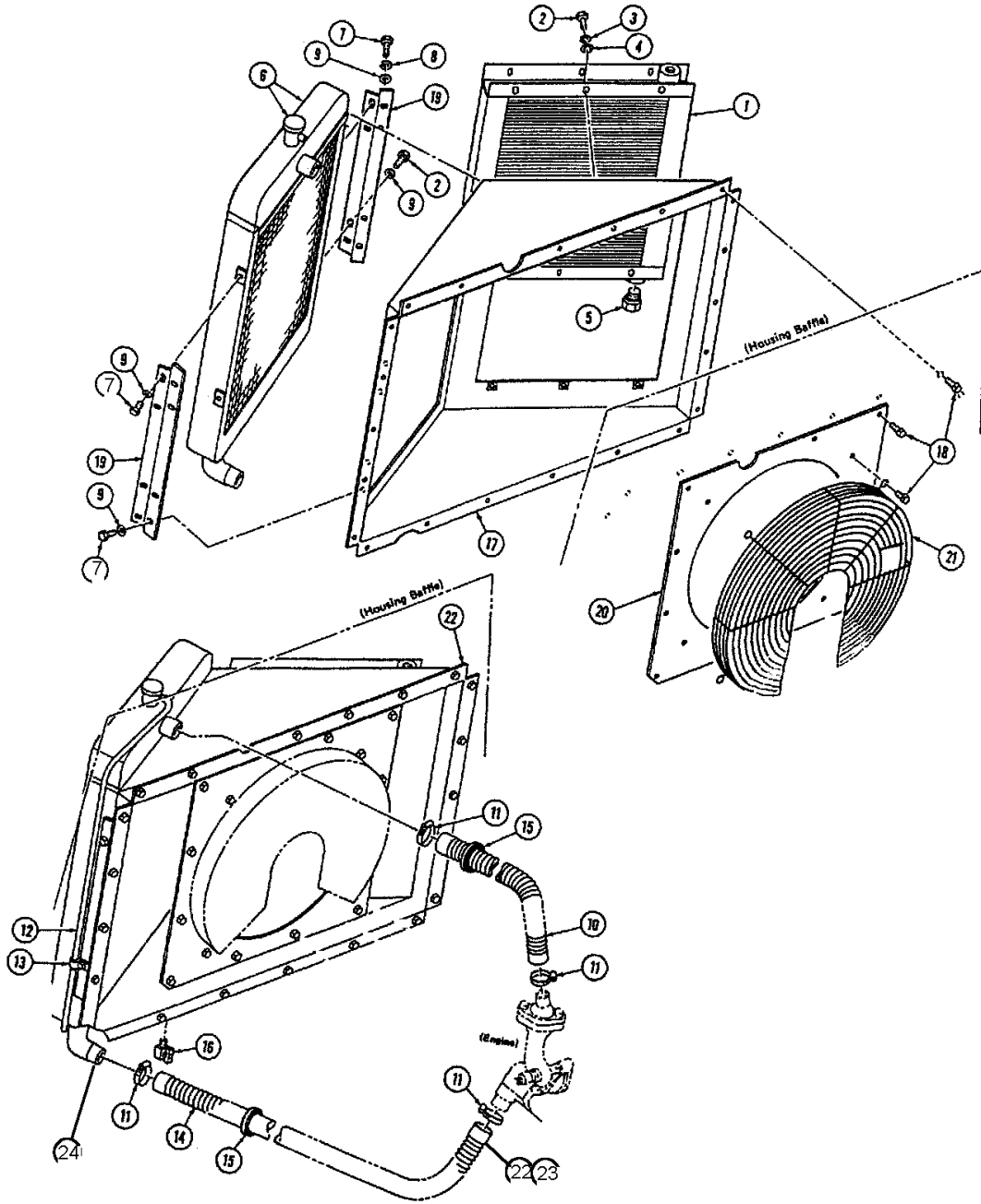
TI00155 ECN 46284

PARTS LIST GROUPS AND COMPONENTS

MODEL
Q185,200 DJE

PART NUMBERS

GROUP NO. 3 AIR CLEANER			STANDARD		
REF	PART DESCRIPTION	QTY	11G43-934		
1	AIR CLEANER, Engine	1	43-934		
	ELEMENT, Air Cleaner	1	43-934-1		
2	CLAMP	2	83-608		
3	SCREW, Special	4	02-36-1		
4	WASHER, Lock	4	05-51-1		
5	NUT, Special	4	04-103-1		
6	TUBE	1	55-2557-8		
7	HOSE	1	73-39		
8	HOSE, Reducing	1	73-844		
9	TUBE	1	55-2557-5		
10	CLAMP	5	83-915-11		
11	HOSE, Elbow	1	H73-767		
12	AIR CLEANER, Air End	1	43-867-2		
13	CLAMP	2	83-915-13		



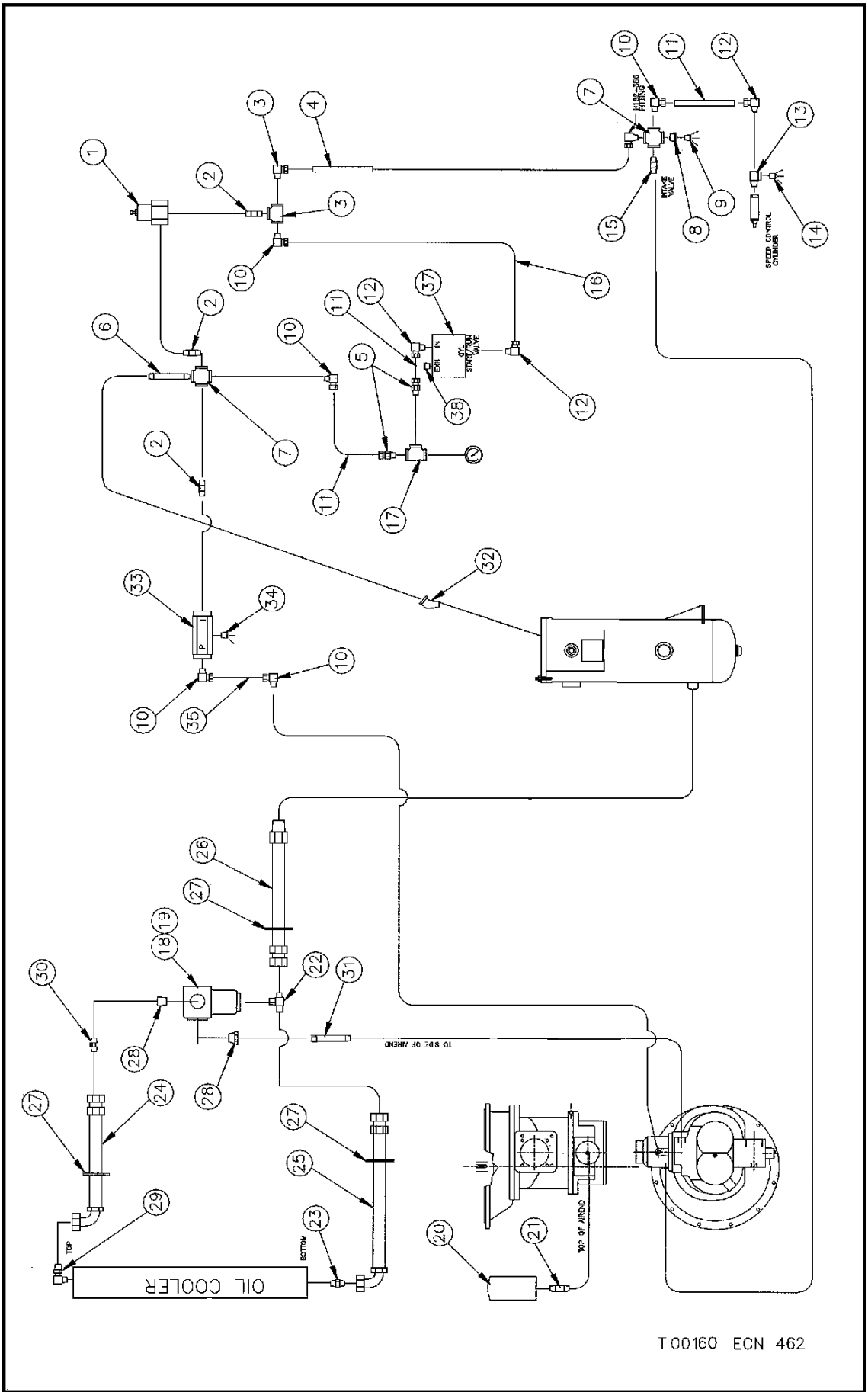
TI00156 ECN 46284

PARTS LIST GROUPS AND COMPONENTS

MODEL
Q185,200 DJE

PART NUMBERS

GROUP NO. 4 RADIATOR - OIL COOLER - SHROUD			STANDARD	3462x
REF	PART DESCRIPTION	QTY	1G71-960 1G71-1101 22G201-281	22F201-281 1G71-1101 4G71-938
1	COOLER, Oil	1	71-960	71-938
2	SCREW, Cap	6	02-18-1	02-36-1
3	WASHER, Lock	6	05-50-1	05-55-1
4	WASHER, Flat	6	06-2	
5	FITTING, Plug	1	182-750-5	
6	RADIATOR	1	71-1101	71-1101
7	SCREW, Cap	4	02-35	02-35
8	WASHER, Lock	4	05-51-1	05-51-1
9	WASHER, Flat	4	06-3	06-3
10	HOSE, Radiator Top	1	73-836-1	73-836-1
11	CLAMP, Hose	4	83-621-2	83-621-2
12	HOSE, Radiator Overflow	1	73-760	73-760
13	CLAMP, Retainer	2	83-91	83-91
14	HOSE, Radiator, Bottom	1	65-1558	65-1558
15	GROMMET	2	150-64	150-64
16	VALVE, Drain	1	15-338	15-338
	CAP, Radiator	1	4-645	4-645
17	SHROUD	1	2A201-281	2A201-281
18	SCREW, Special	23	34-1512	34-1512
19	SUPPORT, Radiator	1	39-6163-1	39-6163-1
2	SCREW, Cap	4	02-18-1	02-18-1
9	WASHER, Flat	4	06-3	06-3
20	SHROUD, Fan (Plate)	1	A201-362	A201-362
18	SCREW, Special	12	34-1512	34-1512
21	GUARD, Fan	1	156-775-8	156-775-8
18	SCREW, Special	4	02-36-1	02-36-1
22	HOSE	1	73-5-21	73-5-21
23	CLAMP	2	83-621-3	83-621-3
24	HOSE	1	73-1-20	73-1-20



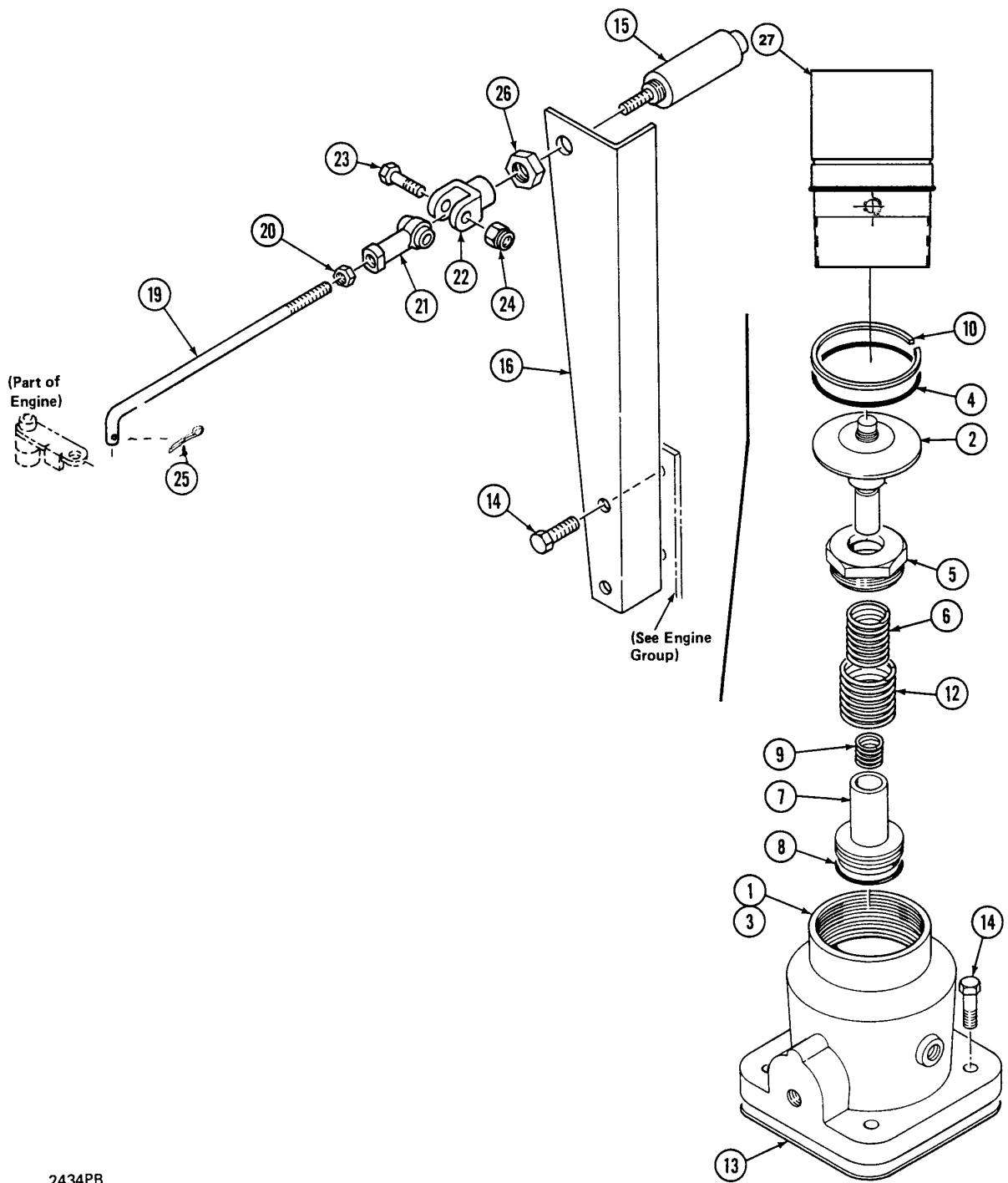
TI00160 ECN 462

PARTS LISTS GROUPS AND COMPONENTS

MODEL
Q185,200 DJE

PART NUMBERS

GROUP NO. 5 THERMO BYPASS & CONTROL PIPING			STANDARD		
REF	PART DESCRIPTION	QTY			
			101G15-1580		
		26	116-255		
1	VALVE, Control Pressure Regulator	1	15-1580		
	SEAT	1	Inc. A & B		
	DIAPHRAGM	1	220-153—A		
		1	220-153-1—B		
2	NIPPLE, Pipe	3	013-2-3A		
3	FITTING	2	H182-356		
4	TUBE	1	55-2493-2		
5	FITTING	3	H182-393		
6	NIPPLE, Pipe	1	013-72-3		
7	CROSS, Pipe	2	182-1109		
8	BUSHING, Pipe	1	013-1061-3		
9	ORIFICE, Control Bleed	2	54-416-22		
10	FITTING	5	H182-383		
11	TUBE	3	55-1654-3		
12	FITTING	1	H182-393		
13	FITTING	1	182-182		
15	FITTING	1	182-906		
16	TUBE	1	55-1654-4		
17	FITTING	1	182-1106		
18	VALVE, Thermal By Pass	1	116-255		
19	HOUSING, Valve	1	116-281-3		
20	ELEMENT, Filter	1	43-837-1		
21	NIPPLE, Special	1	M33-784-5		
22	FITTING	1	182-972		
23	FITTING	1	182-471-6		
24	HOSE	1	73-967-1		
25	HOSE	1	73-967-2		
26	HOSE	1	73-967		
27	GROMMET	3	C150-7		
28	BUSHING	2	013-1073-3		
29	FITTING	1	182-452-22		
30	SWIVEL ADAPTOR	1	182-465-1		
31	PIPE	1	M33-784-3		
32	45° ELBOW	1	013-532-3		
33	BLOWDOWN VALVE	1	15-1717		
34	MUFFLER	1	19-610		
35	TUBE	1	55-1654-13		
37	SWITCH LOAD/UNLOAD	1	15-1620		
38	PLUG	1	011-272		
39	TEE	1	182-1107		



2434PB

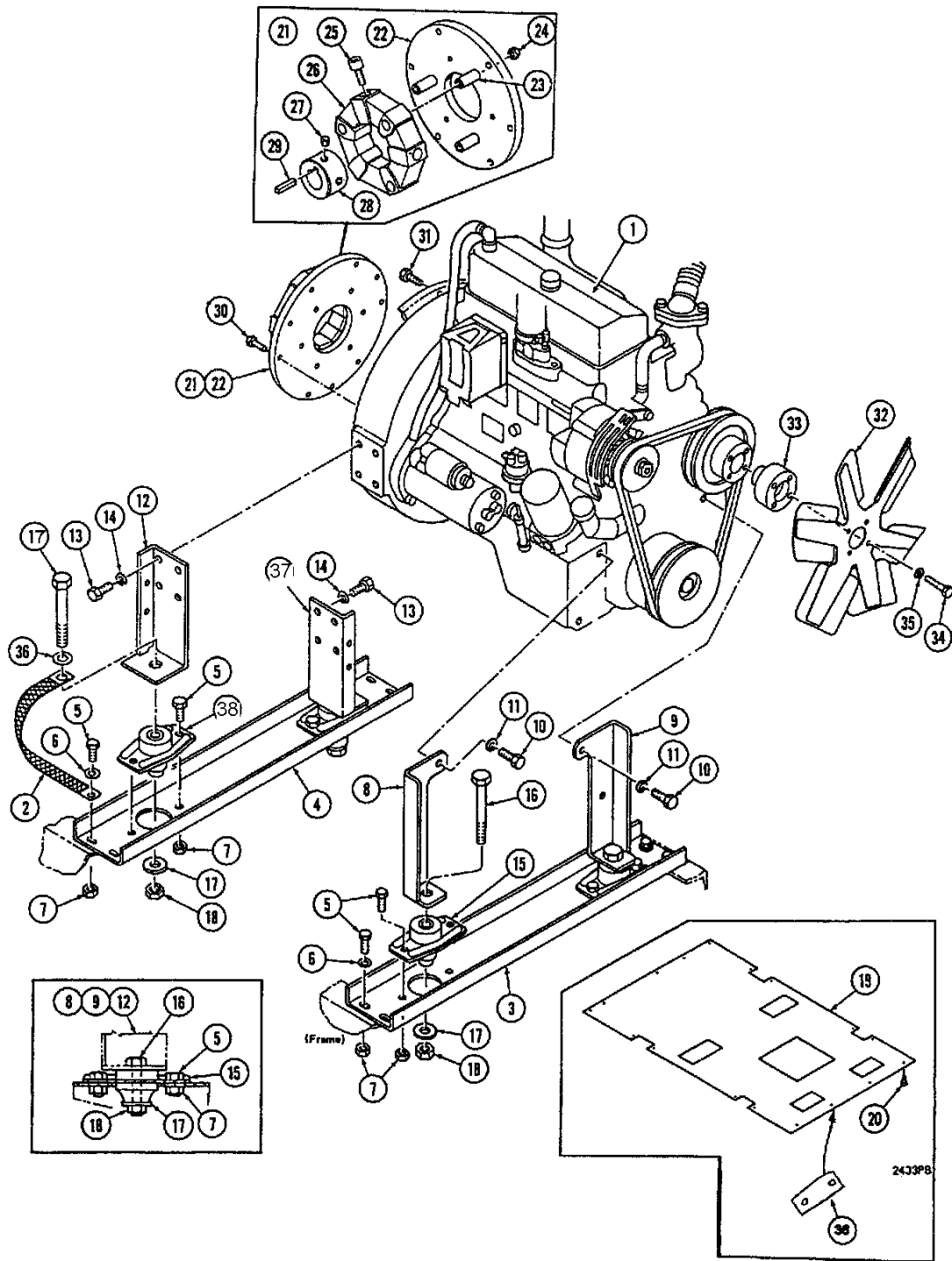
PARTS LIST GROUPS AND COMPONENTS

MODEL
Q185,200 DJE

PART NUMBERS

GROUP NO. 6 INTAKE VALVE & SPEED CONTROL			STANDARD		
REF	PART DESCRIPTION	QTY	26G116-427		
1	INTAKE VALVE ASSEMBLY	1	116-427		
2	VALVE	1	Inc. A to B		
3	BODY	1	220-260--A		
4	SEAL, Special	1	NSS		
5	CAP	1	220-260-2		
6	SPRING, Inner	1	220-260-3		
7	PISTON	1	220-260-4		
8	SEAL, O-Ring	1	220-260-5		
9	SPRING	1	220-260-6		
10	RING, Retaining	1	220-260-7		
12	SPRING, Outer	1	220-260-8		
13	GASKET	1	220-260-10--B		
14	SCREW, Cap	4	16-1851		
15	CYLINDER, Speed Control	1	02-37-1		
16	BRACKET, Cylinder	1	1-772		
14	SCREW, Cap	2	39-6221-2		
19	ROD, Speed Control	1	34-1512		
20	NUT	1	47-1049-9		
21	END, Rod	1	04-602		
22	YOKE	1	122-9		
23	SCREW, Cap	1	45-115		
24	NUT, Special	1	02-21		
25	CLAMP, Rod End	1	C53-25		
26	NUT, Cylinder	1	07-4		
27	AIR FILTER ADAPTOR	1	Supplied w/15		
			65-2461		

NSS = NOT SOLD/SERVICED
SEPARATELY



TI00157 ECN 46284

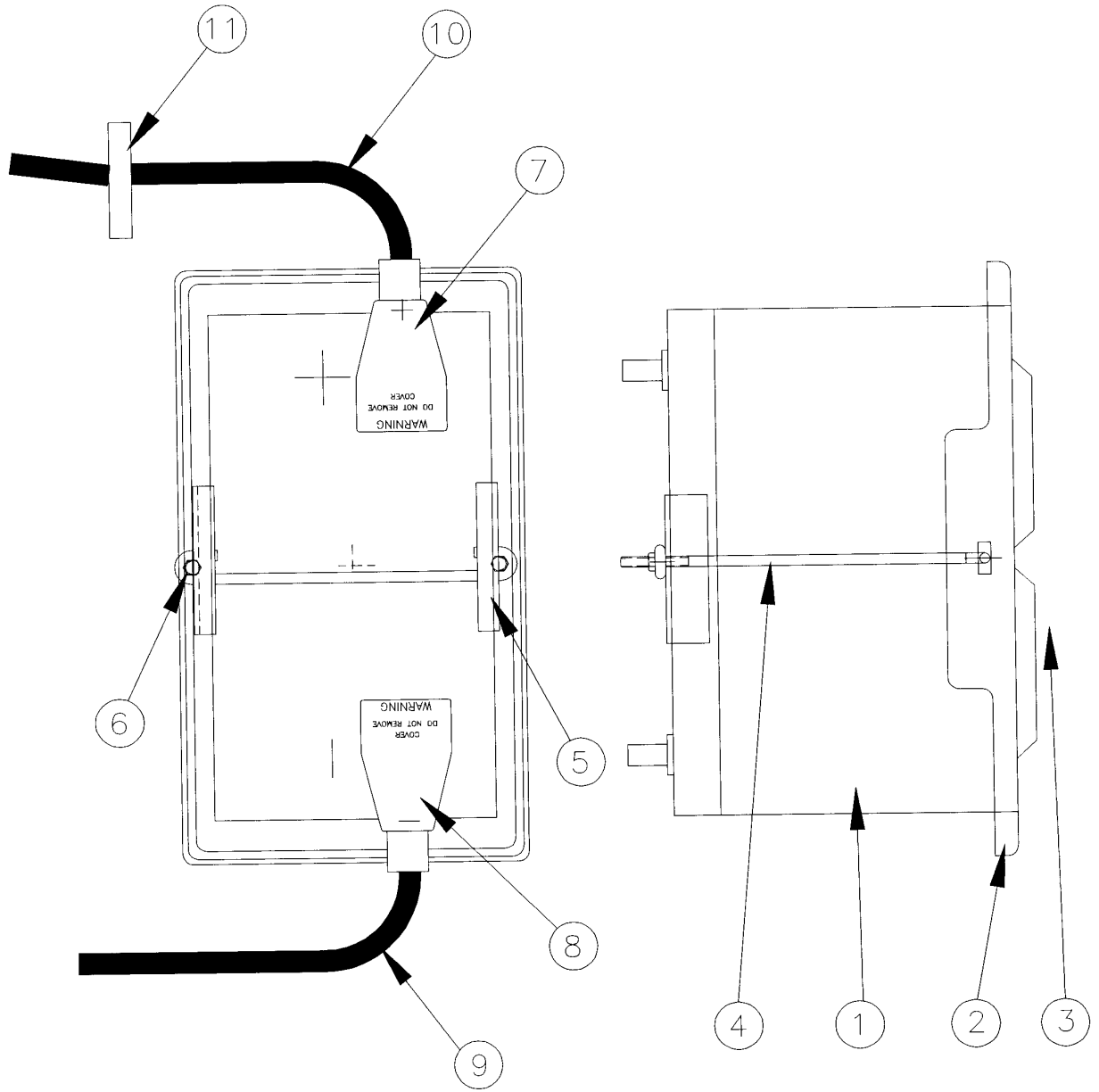
PARTS LIST GROUPS AND COMPONENTS

MODEL
Q185,200 DJE

PART NUMBERS

**GROUP NO. 7 ENGINE-
SUPPORTS - DRIVE COUPLING - FAN**

REF	PART DESCRIPTION	QTY	STANDARD
			107-1053
			39-7529
			2G28-615-1
			5G42-293
1	ENGINE, John Deere (EPA)	1	107-1053-1
2	STRIP, Electrical Bonding	1	61-483-2
3	SUPPORT, Front Crossmember	1	39-7529
4	SUPPORT, Rear Crossmember	1	39-7530
5	SCREW, Cap	7	02-34-1
6	WASHER, Flat	8	06-4-1
7	NUT, Special	8	53-602
8	SUPPORT, Front (Right)	1	39-6222-1
9	SUPPORT, Front (Left)	1	39-6223-1
10	SCREW, Cap	4	02-946
11	WASHER, Lock	4	05-55-1
12	SUPPORT, Rear	1	39-6221-1
13	SCREW, Cap	8	02-885
14	WASHER, Lock	8	05-53-1
15	MOUNT, Vibration	2	74-236-8
16	BOLT, Center	4	34-1403-4
17	WASHER, Special	4	20-910-2
18	NUT, Special	4	53-763-2
5	SCREW, Cap	8	02-34-1
7	NUT, Special	8	53-602
19	PANEL, Bottom Cover	1	68-2036-9
20	SCREW, Cap, Special	14	34-1512
21	COUPLING	1	28-615-1—A Inc. A to B
22	FLANGE	1	220-261-4—A
23	STUD	3	220-261-2
24	NUT	3	220-261-5
25	SCREW, Socket Head	3	220-261
26	FLEXIBLE MEMBER	1	220-261-3
27	SCREW, Set	1	220-261-1—B
28	HUB	1	132-221-3
29	KEY, Drive	1	09-141
30	SCREW, Special	8	34-574-1
	THREAD COMPOUND	AR	No. P/N
31	SCREW, Cap	9	02-37-1
	SCREW, CAP	1	02-38-1
32	FAN	1	42-293
33	SPACER, Fan	1	22-1454-2
34	SCREW, Cap, Fan	4	02-838
35	WASHER, Lock	4	05-50-1
36	COVER	1	14-1932
37	SUPPORT, REAR	1	39-6221-2
38	MOUNT, VIBRATION	2	74-236-9
	AR = AS REQUIRED		



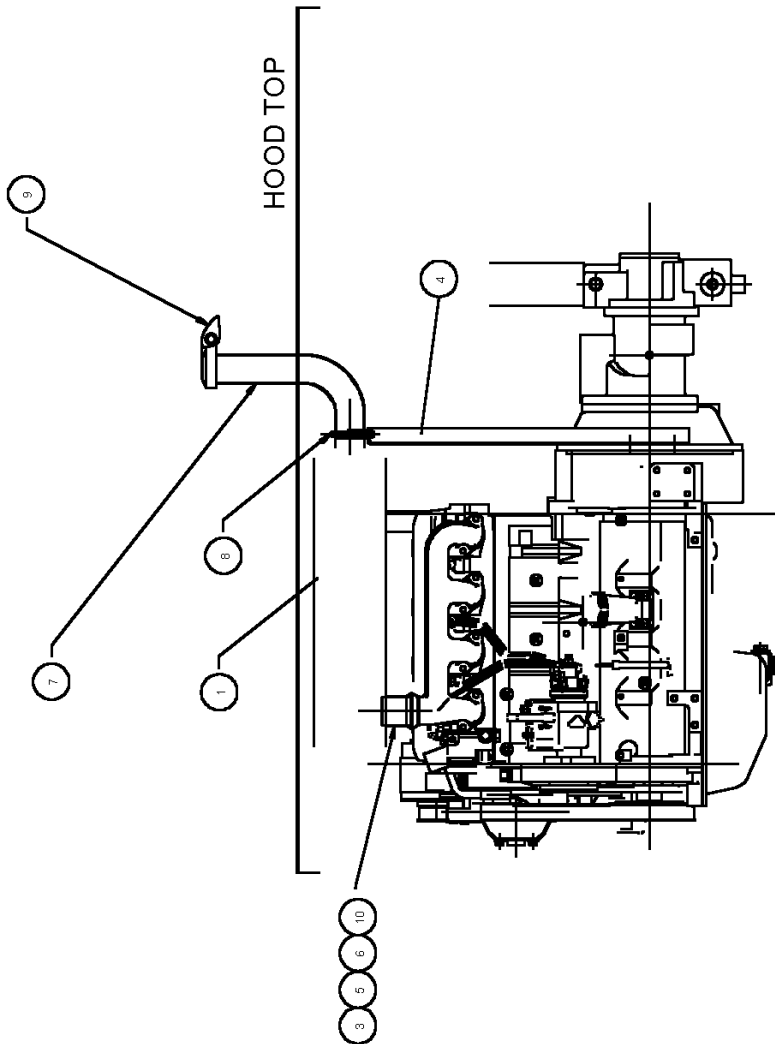
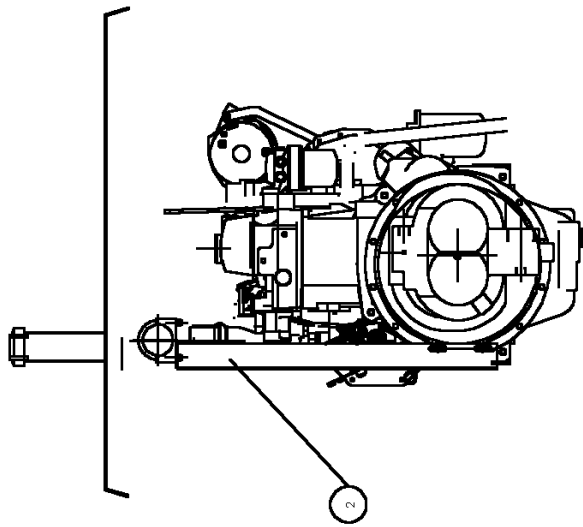
DWG SK4864A
ECN 44590

PARTS LIST GROUPS AND COMPONENTS

MODEL
Q185,200 DJE

PART NUMBERS

GROUP NO. 8 BATTERY AND CABLES			STANDARD		
REF	PART DESCRIPTION	QTY	2G117-98		
1	BATTERY	1	117-98		
2	TRAY, Battery	1	119-351		
3	SCREW, Special	4	34-1512		
4	BOLT, Holddown	2	34-1539		
5	CLAMP, Holddown	1	119-350-1		
6	NUT, Wing	2	53-380		
7	COVER, Terminal	1	14-1447-5		
8	COVER, TERMINAL	1	14-1447-2		
9	CABLE, Battery	1	61-1047-1		
10	CABLE, Battery	1	61-1047		
11	GROMMET	1	C150-7		



TI00158 ECN 46284

PARTS LIST GROUPS AND COMPONENTS

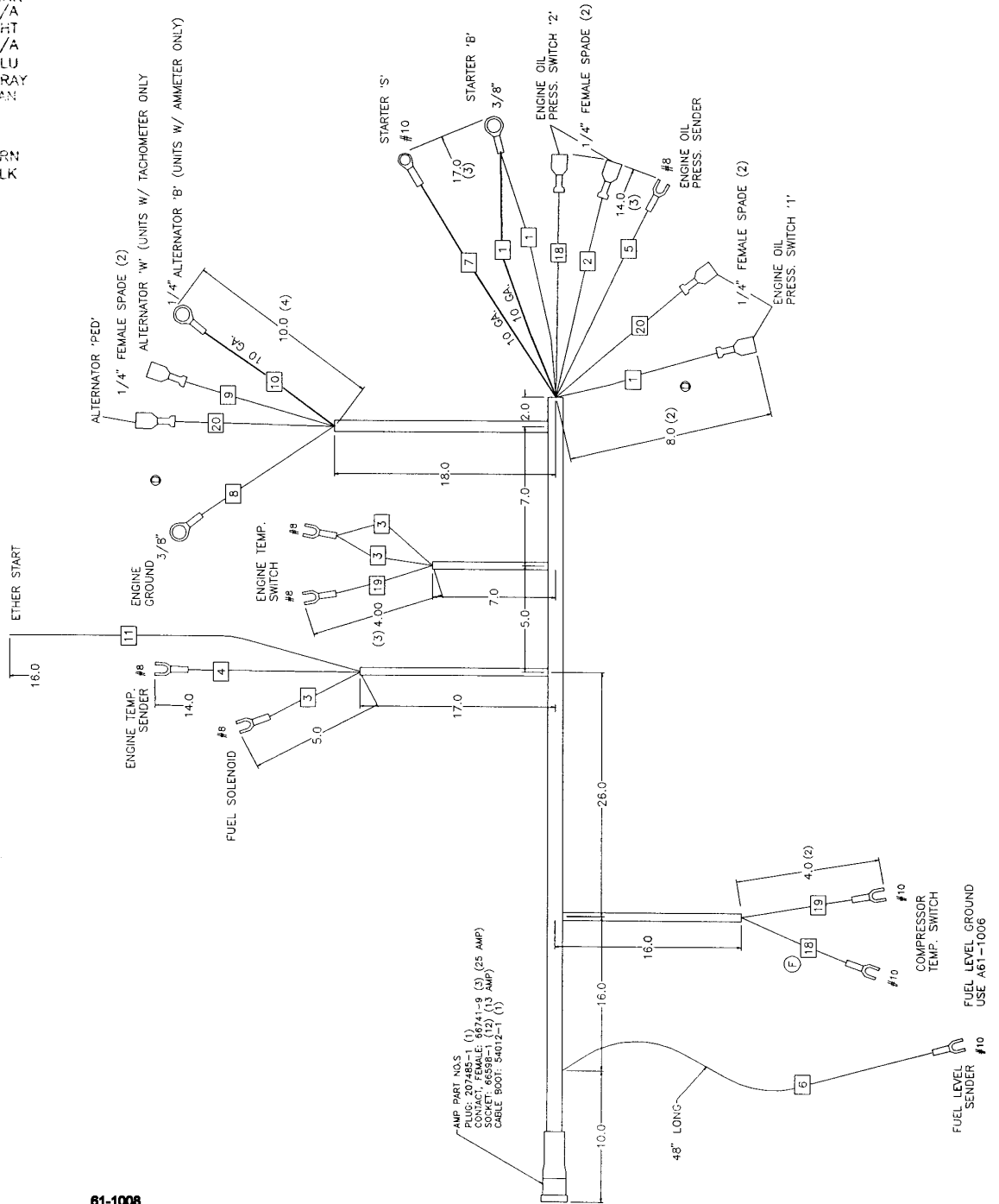
MODEL
Q185,200 DJE

PART NUMBERS

GROUP NO. 9 MUFFLER			STANDARD	PART NUMBERS	
REF	PART DESCRIPTION	QTY			
1	MUFFLER	1	78-291		
2	SUPPORT, Muffler	1	39-7533		
3	SCREW, Cap	1	02-20-1		
4	WASHER, Flat	1	06-3		
5	WASHER, Lock	1	05-50-1		
6	CLAMP	1	83-942		
7	CONNECTION, Exhaust	1	65-1536-1		
8	CLAMP	2	C83-140		
9	CAP, Rain (Optional)	1	C4-30		
10	GASKET	1	16-2084		

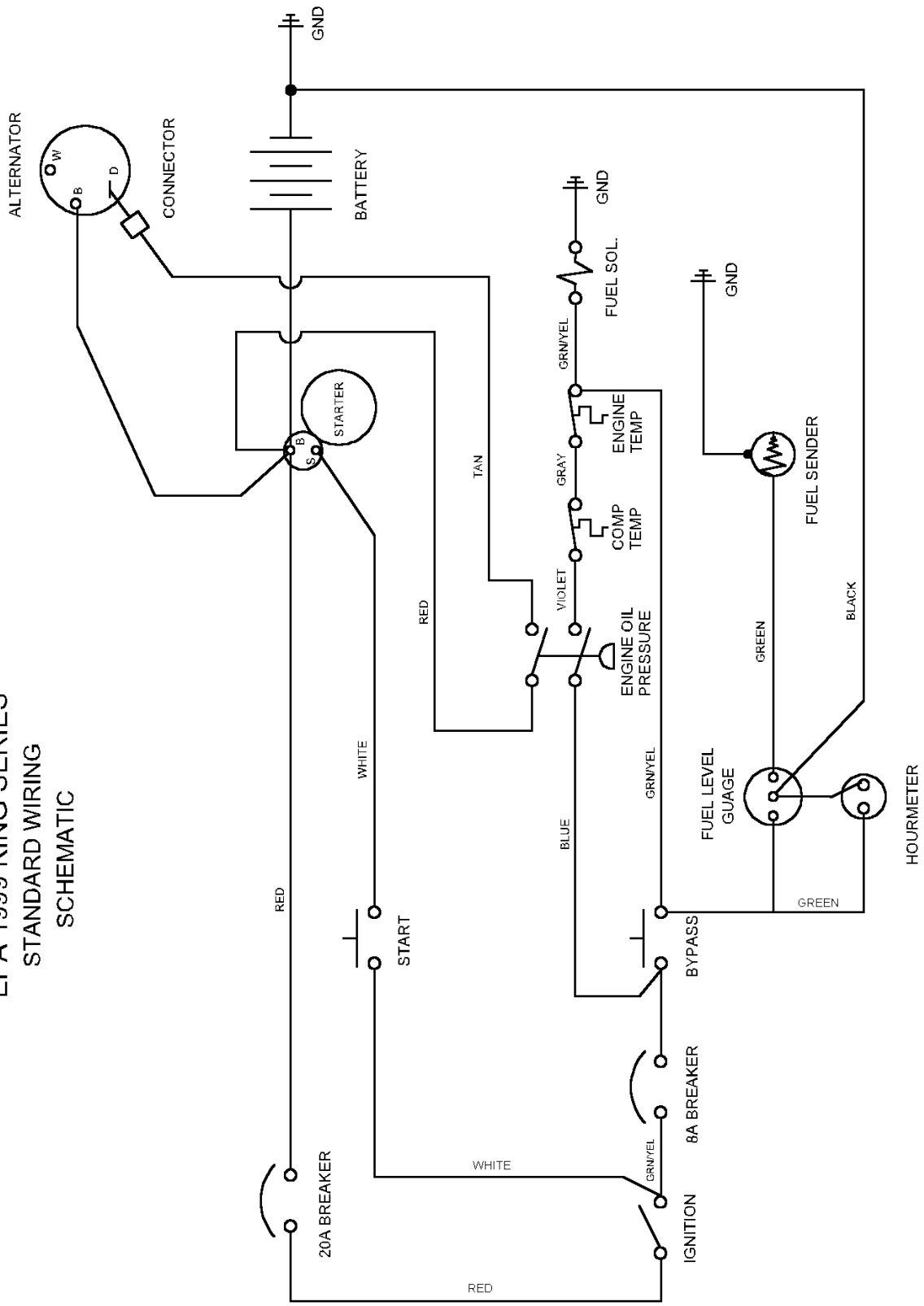
WIRE COLORS FOR HARNESS

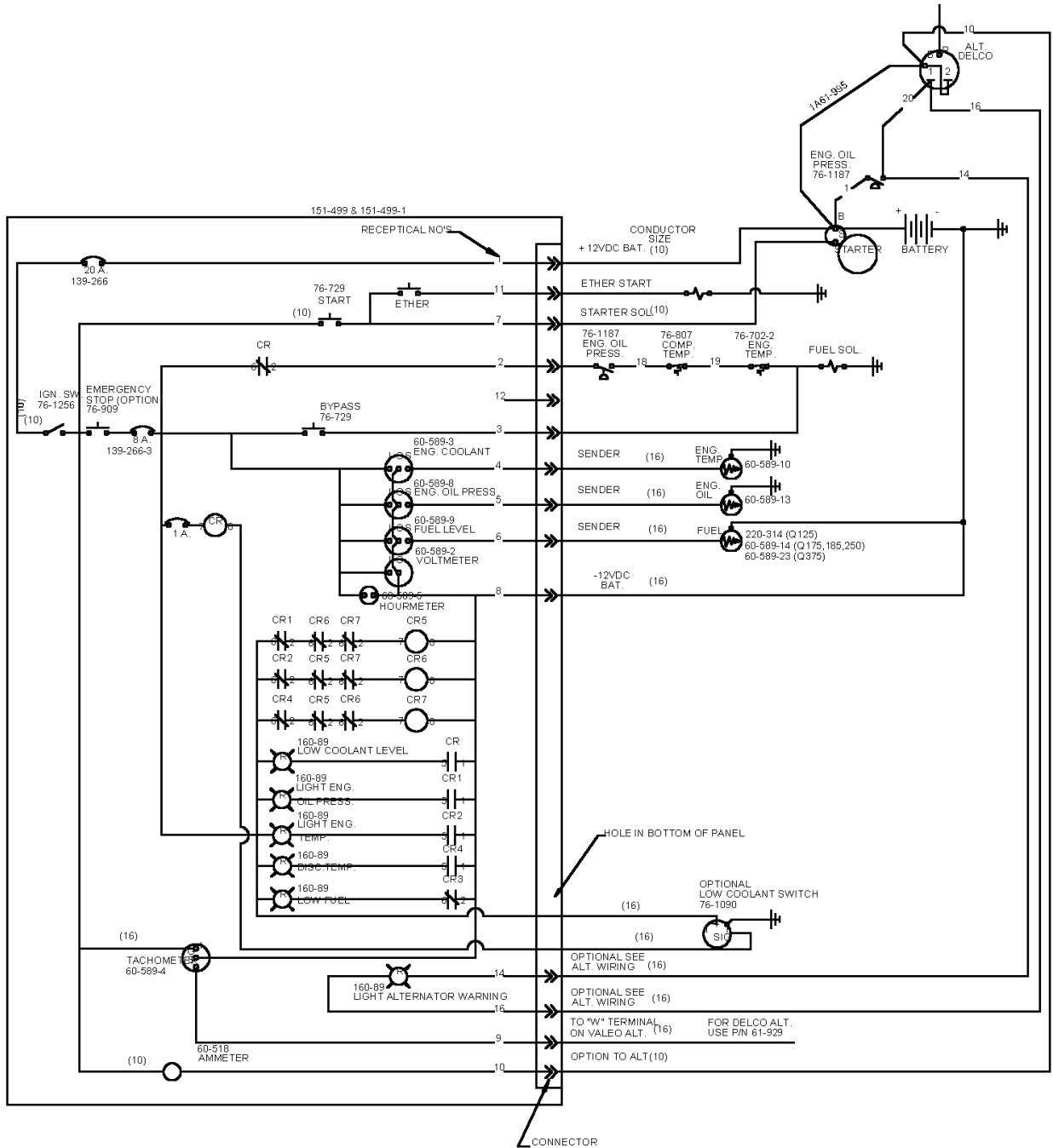
WIRE	COLOR	WIRE	COLOR
1.	RED	35.	RED
2.	BLUE	36.	RED
3.	GRN/YEL		
4.	YEL	41.	BLK
5.	ORN		
6.	GRN	43.	BLK
7.	WHT	44.	BLK
8.	BLK	45.	RED
9.	BLK		
10.	WHT		
11.	BLK		
12.	VIOLET		
13.	VIOLET		
14.	PINK		
15.	N/A		
16.	WHT		
17.	N/A		
18.	BLU		
19.	GRAY		
20.	TAN		
23.	BRN		
24.	BLK		



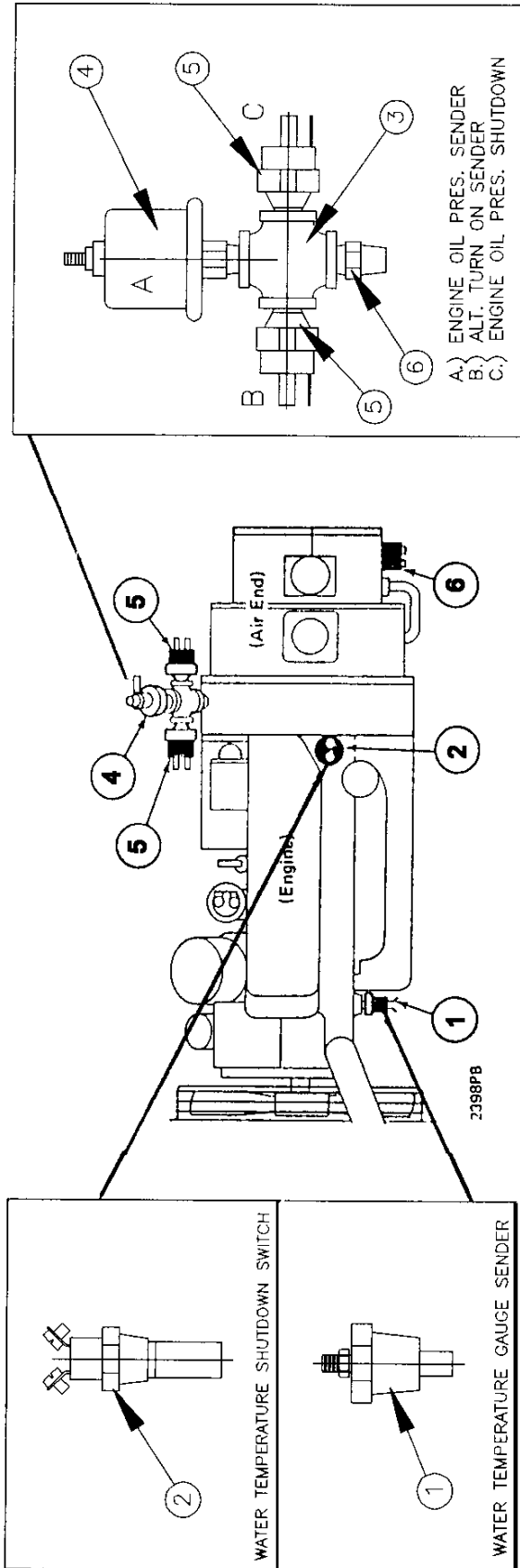
61-1008
ECN 44020

EPA 1999 KING SERIES STANDARD WIRING SCHEMATIC





TI00201 ECN 46284



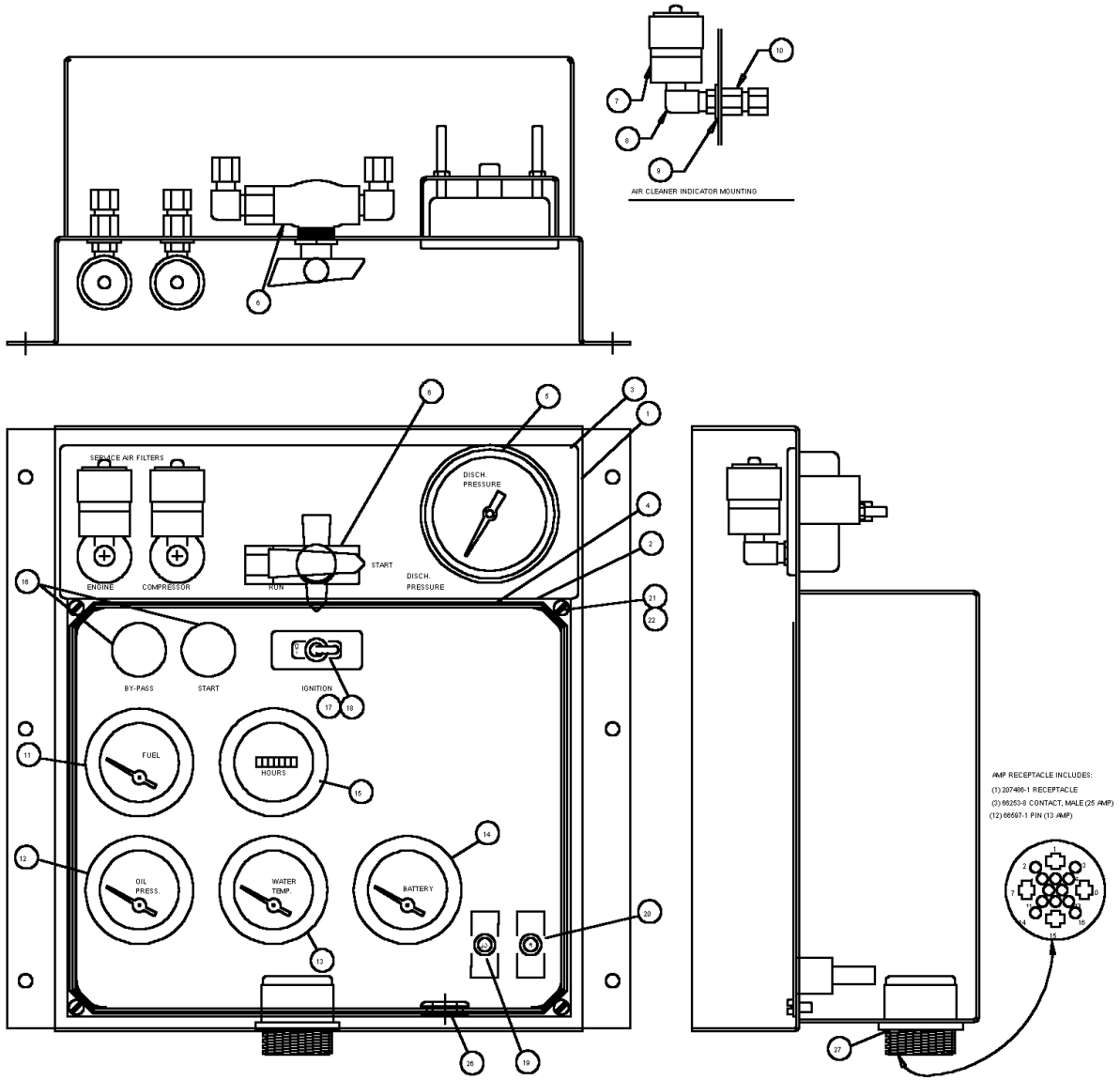
PARTS LIST GROUPS AND COMPONENTS

MODEL
Q185,200 DJE

PART NUMBERS

**GROUP NO. 10 INSTRUMENT PANEL -
ELECTRICAL CONTROLS, STANDARD**

REF	PART DESCRIPTION	QTY	STANDARD	
			G151-515	
1	SENDER, Gage. Engine Coolant	1	60-589-29	
2	CROSS, Pipe	1	013-631	
3	SENDER, Gage, Engine Oil Pressure	1	60-589-13	
4	PRESSURE SWITCH	2	76-1187	
5	HEX NIPPLE STEEL	1	182-906-2	
6	TEMP, Shutdown Switch	2	76-807	
7	WIRE HARNESS	1	61-1052	
			3535x	
			3515x G151-518	
4	PRESSURE SWITCH	1	76-1431	
6	TEMP. SHUTDOWN SWITCH	2	76-807	
7	WIRE HARNESS	1	61-1058	



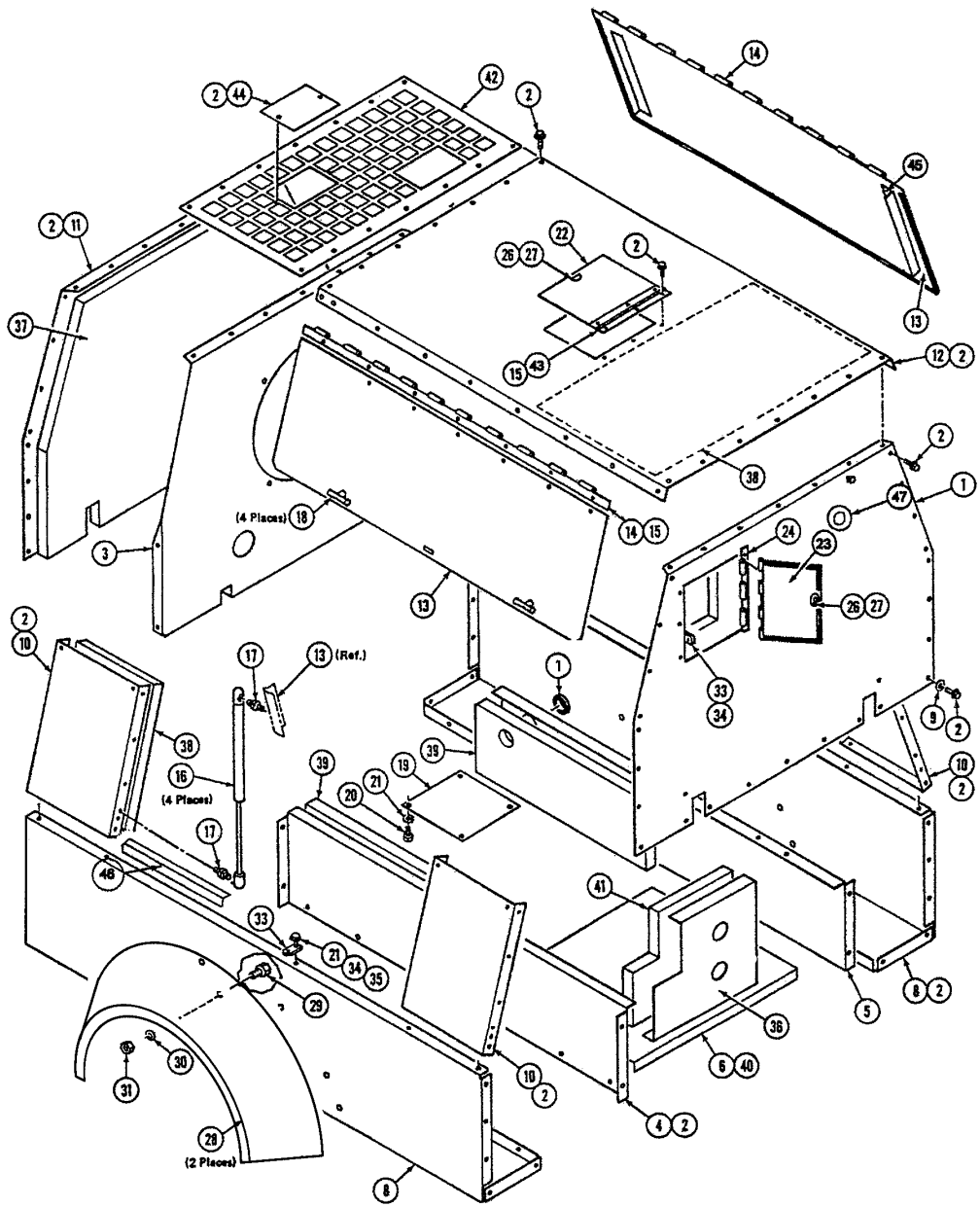
TI00150 ECN 46249

PARTS LIST GROUPS AND COMPONENTS

MODEL
Q185,200 DJE

PART NUMBERS

GROUP NO. 10A CONTROL PANEL COMPONENTS			STANDARD	3515x, 3535x
			G151-515-1	G151-518
REF	PART DESCRIPTION	QTY		
1	HOUSING	1	A68-2608	151-585
2	INSTRUMENT PANEL	1	151-498	62-471
3	OVERLAY, Top	1	62-1316-5	
4	OVERLAY, Bottom	1	62-1316	
5	PRESSURE GAUGE	1	60-585	60-585
6	BALL VALVE	1	15-1856	15-1856
7	INDICATOR	2	60-345	
8	ST. ELL	2	182-145	
9	LOCK WASHER	2	05-108-1	
10	FITTING	2	182-611	
11	FUEL LEVEL GAUGE	1	60-589-9	60-589-9
12	OIL PRESSURE GAUGE	1	60-589-8	
13	ENGINE COOLANT GAUGE	1	60-589-3	
14	VOLTMETER	1	60-589-2	
15	HOURLMETER	1	60-589-5	60-589-5
16	START/BYPASS SWITCH	2	76-729	76-729
17	TOGGLE SWITCH	1	76-1256	76-1256
18	LEGEND	1	62-798	62-798
19	20A BREAKER	1	139-266	139-266
20	8A BREAKER	1	139-266-3	139-266-3
21	SCREW	4	03-128	
22	LOCKWASHER	4	05-103	
23	SCREW	4	03-58	
24	LOCKWASHER	4	05-101	
25	NUT	4	04-9	
26	GROMMET	1	150-74	
27	PLUG & HARNESS	1	61-1046	
28	TUBING FITTING 90°	2	H182-356	



TI00013 ECN 45602

PARTS LIST GROUPS AND COMPONENTS

MODEL
Q185,200 DJE

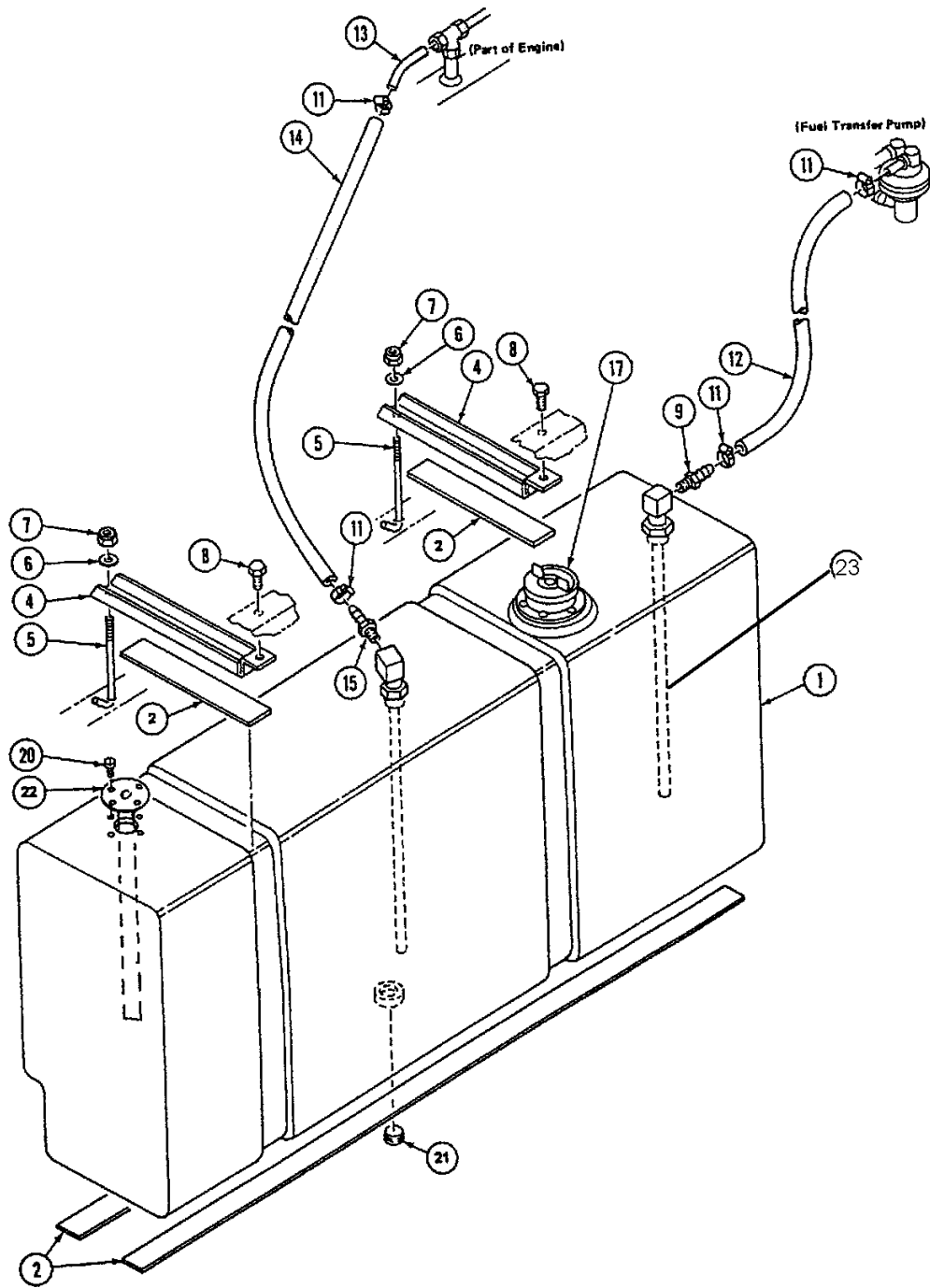
			PART NUMBERS		
			STANDARD	3515x	3535x
GROUP NO. 11 HOUSING			11G68-2401	11G68-2401	23G68-2401
REF	PART DESCRIPTION	QTY			
1	PANEL, End	1	68-2401	68-2401	68-2401
2	SCREW, Cap, Special	23	34-1512	34-1512	34-1512
3	BAFFLE, Radiator	1	68-1944-2	68-3220	68-3220
	SCREW, Special	2	34-1512	34-1512	34-1512
2	SCREW, Cap, Special	13	34-1512	34-1512	34-1512
4	BAFFLE, Tool Box (Curb Side)	1	68-1954	68-1954	68-1954
5	BAFFLE, Tool Box (Street Side)	1	68-1954-1	68-1954-1	68-1954-1
2	SCREW, Cap, Special	11	34-1512	34-1512	34-1512
6	BAFFLE, Pan	1	68-2366	68-2366	68-2366
7	GROMMETT, Battery Cable	1	C150-7	C150-7	C150-7
8	BOX, Tool (Side Panel)	2	119-360	119-360	119-360
2	SCREW, Cap	20	34-1512	34-1512	34-1512
9	WASHER, Flat	26	06-3	06-3	06-3
10	PANEL, Side	4	68-1947-2	68-1947-2	68-1947-2
2	SCREW, Cap, Special	10	34-1512	34-1512	34-1512
11	PANEL, End	1	68-2361	68-2361-6	68-2361-6
	COVER, Unused Hole	1	14-1870	14-1870	14-1870
2	SCREW, Cap, Special	23	34-1512	34-1512	34-1512
12	TOP, Housing	1	68-1950-21	68-1950-23	68-1950-17
2	SCREW, Cap, Special	34	34-1512	34-1512	34-1512
13	DOOR	2	68-1949-5	68-1949-5	68-1949-4
14	SUPPORT, Hinge	2	39-6695-9	39-6695-9	39-6695-9
15	RIVET	75	126-31-1	126-31-1	126-31-1
16	SUPPORT, Door, Gas Cylinder	4	1-818-2	39-7593	1-818-2
17	STUD, Cylinder	8	105-591	105-591	105-591
18	LATCH	4	178-137	178-137	178-137
19	COVER, Oil Pan	1	14-1754-3	14-1870	14-1754-3
20	SCREW, Cap	4	02-18-1	02-18-1	02-18-1
21	WASHER, Lock	4	05-50-1	05-50-1	05-50-1
22	DOOR, Lifting Bail	1	68-2395-1	68-2395-1	68-2395-1
23	DOOR, Instrument Panel	1	68-2395	68-2395	68-2395
24	HINGE	2	39-6695-19	39-6695-19	39-6695-19
26	LATCH	2	34-1476	34-1476	34-1476
27	RIVET	8	126-25	126-25	126-25
28	FENDER	2	68-2337	68-2337	68-2337
29	SCREW, Cap	14	34-1477-1	34-1477-1	34-1447-1
30	WASHER, Flat	14	06-4-1	06-4-1	06-4-1
31	NUT, Special	14	53-766-1	53-766-1	53-766-1
33	HASP	3	221-5437-1	221-5437-1	221-5437-1
34	NUT	2	04-102	04-102	04-102
21	WASHER, Lock	2	05-50-1	05-50-1	05-50-1
35	NUT	2	04-102	04-102	04-102

PARTS LIST GROUPS AND COMPONENTS

MODEL
Q185,200 DJE

GROUP NO. 11 HOUSING (continued)			PART NUMBERS		
			STANDARD	3515x	3535x
			G68-2401	11G68-2401	23G68-2401
REF	PART DESCRIPTION	QTY			
36	BAFFLE, Air End	1	68-3020	68-3020	68-3020
	KIT, Sound Absorption Panel	1	3A124-216 Inc. A to B	3A124-216	3A124-216
37	PANEL, Sound Absorption	1	124-216—A	124-216--A	
38	PANEL, Sound Absorption	2	124-215	124-215	
39	PANEL, Sound Absorption	2	124-213-6	124-213-6	
40	PANEL, Sound Absorption	1	124-222-1	124-222-1	
41	PANEL, Sound Absorption	1	124-214—B	124-214--B	
42	GRILLE, Air Outlet	1	68-2015-1	68-2015-1	68-2015-1
43	SUPPORT, Hinge	1	39-6695-6	39-6695-6	
15	RIVET	32	126-31	126-31	
44	COVER, Radiator Opening (Optional)	1	14-1923	14-1923	
2	SCREW, Special	2	34-1512	34-1512	34-1512
45	DOOR SUPPORT	4	222-2520-2	222-2520-2	
46	STIFFENER, Horizontal	1	39-7195	39-7195	39-7195
47	GROMMET	1	150-57-4	150-57-4	150-57-4

THIS PAGE LEFT INTENTIONALLY BLANK.



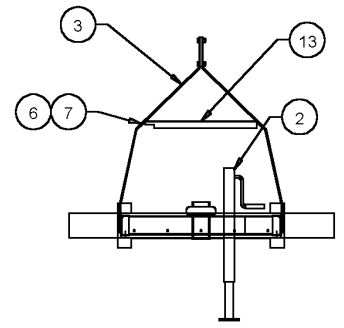
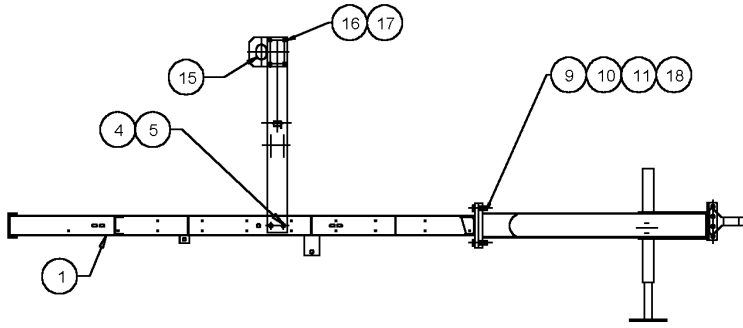
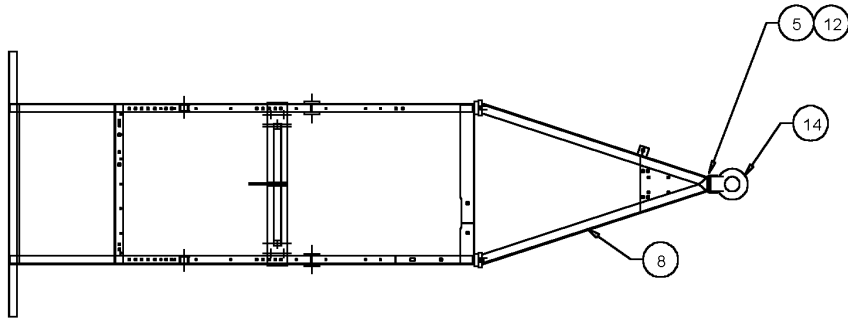
TI00159 ECN 46284

PARTS LIST GROUPS AND COMPONENTS

MODEL
Q185,200 DJE

PART NUMBERS

GROUP NO. 12 FUEL TANK			STANDARD		
REF	PART DESCRIPTION	QTY	69-855		
1	TANK, Fuel	1	69-855		
2	PACKING, Tank Bottom	4	74-148-12		
4	CLAMP (Strap)	2	A39-6431		
5	SCREW, Special	2	34-1531		
6	WASHER, Flat	2	06-69		
7	NUT	2	53-602		
8	SCREW, Cap	2	02-39		
9	FITTING	1	182-983-3		
11	CLAMP, Hose	4	83-91		
12	HOSE, Fuel	1	73-853-3		
13	TUBE, Return or Vent Line	1	55-29-83		
14	HOSE	1	73-867		
15	FITTING	1	182-983-2		
17	CAP, Fuel Filler (Included w/1)	1	4-690		
17	CAP, Fuel Filler (Optional Locking)	1	4-691		
19	PLATE	1	38-1303		
20	SCREW	5	03-127		
21	PLASTIC PIPE PLUG	1	182-986-1		
22	FUEL LEVEL SENDER	1	60-589-14		
23	PICKUP TUBE WITH FITTING	2	220-370		



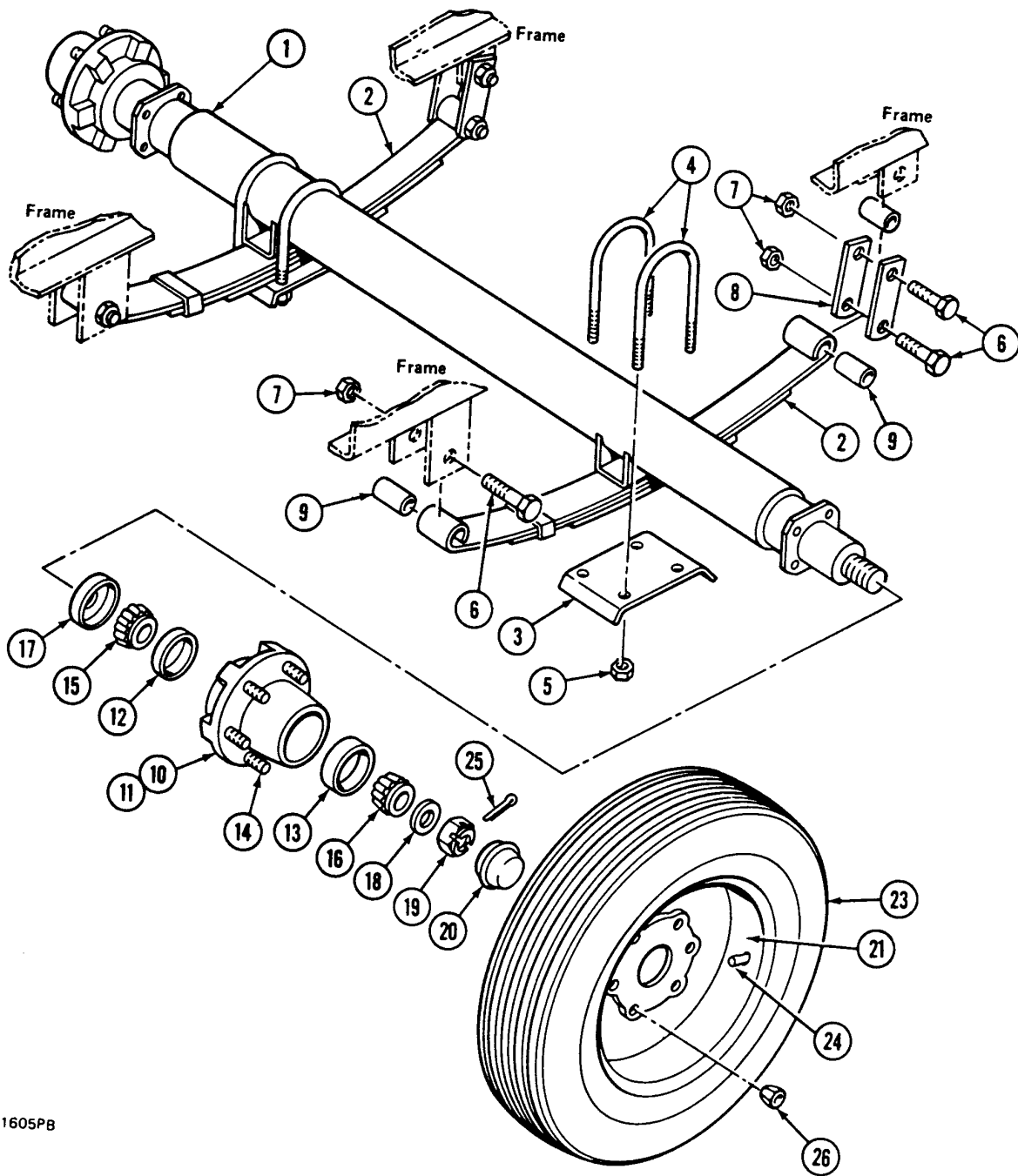
TI00161 ECN 46284

PARTS LIST GROUPS AND COMPONENTS

MODEL
Q185,200 DJE

PART NUMBERS

GROUP NO. 13 FRAME - LIFTING BAIL - JACKSTAND			STANDARD	3515x, 3535x
REF	PART DESCRIPTION	QTY		
			2G118-1243	3G118-1243
			1A87-87	1A87-87
1	FRAME (Weld)	1	A118-1243	1A118-1243
2	JACKSTAND	1	88-672	88-672
3	BAIL, Lifting	2	103-245-5	103-245-2
4	SCREW, Cap, Special	4	34-1443	34-1443
5	NUT, Special	6	53-678	53-678
6	SCREW, Cap	3	02-36-1	
	WASHER, Lock	3	05-51-1	
7	NUT	3	04-103	
8	TOWBAR ASSEMBLY	1	2A131-80-1	2A131-80-1
9	NUT STEEL SLOTTED	4	04-309	04-309
10	WASHER	4	06-75	06-75
11	COTTER PIN	4	07-43	07-57
12	CAPSCREW	2	02-113	02-113
13	BRACKET	1	39-6251	39-6251
14	TOWEYE	1	131-72-1	131-72-1
	KIT, Tow Chain	2	1A87-87	1A87-87
			Inc. A to B	Inc. A-B
	CHAIN, Safety, Tow	2	87-87—A	87-87--A
	HOOK	2	103-260—B	103-206-B
	NUT	4	04-104	
	BOLT, "U"	1	34-1555	
	NUT	4	04-103	
	NUT	4	05-52	
	LATCH			178-167—B
15	LIFTING BAIL EYE	1	130-258-1	130-258-1
16	CAPSCREW	4	02-72	
17	NUT, SPECIAL	4	C53-13	C53-13
18	BOLT	4	34-1571	34-1571



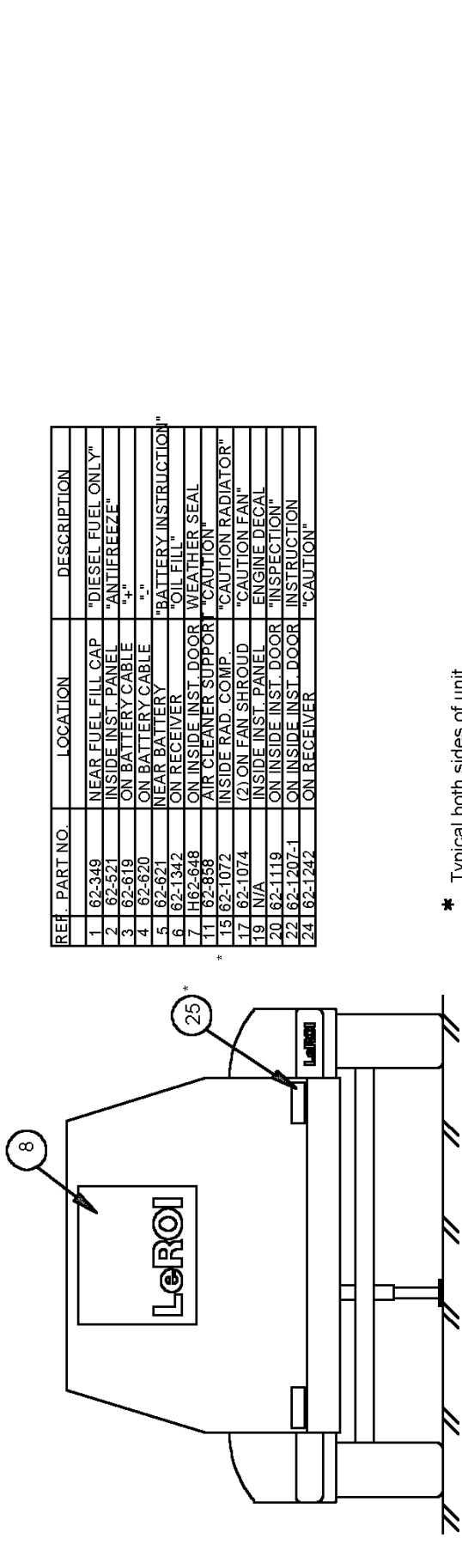
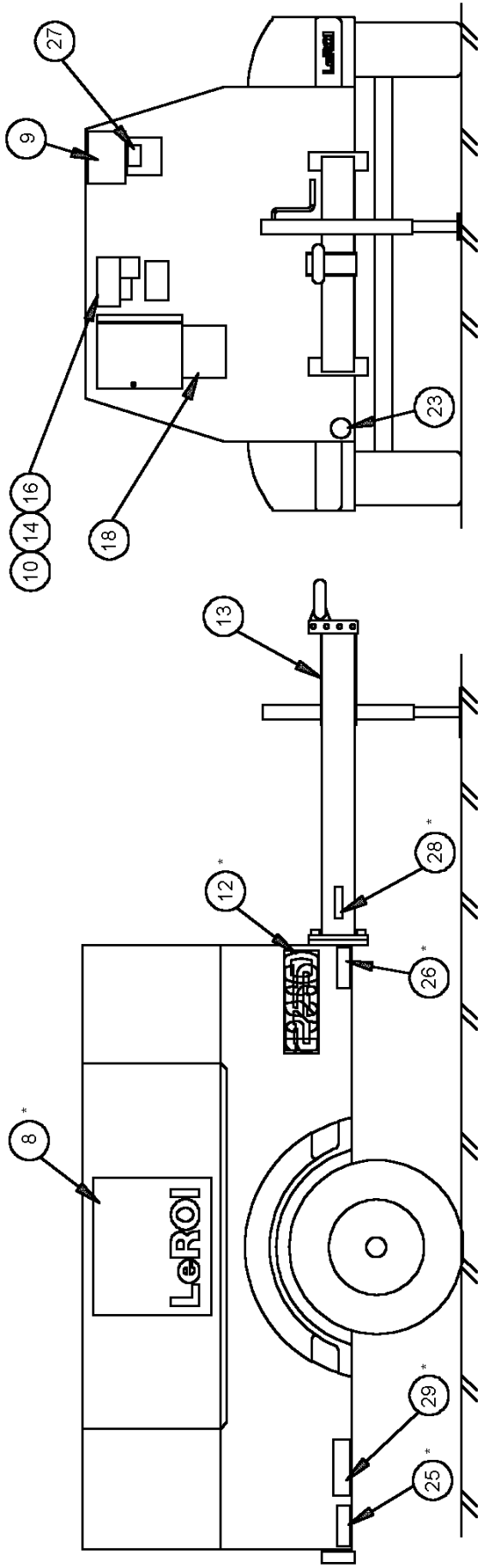
1605PB

PARTS LIST GROUPS AND COMPONENTS

MODEL
Q185,200 DJE

PART NUMBERS

GROUP NO. 14 RUNNING GEAR			STANDARD		
REF	PART DESCRIPTION	QTY	G130-187		
	AXLE ASSEMBLY	1	A130-187 Inc. A to D		
1	AXLE, with Flanges	1	220-237-1--A		
2	SPRING	2	220-237-4		
3	PLATE, Clamp	2	220-237-5		
4	U-BOLT	4	220-237-6		
5	NUT	8	220-237-7		
6	BOLT, Shackle	6	220-237-10		
7	NUT, Shackle	6	53-579		
8	PLATE, Shackle	4	220-237-12		
9	BUSHING, Spring, Eye	4	220-237-2		
10	HUB ASSEMBLY	2	132-207 Inc. B to C		
11	HUB	2	132-207—B		
12	CUP, Bearing, Inner	2	220-237-14		
13	CUP, Bearing, Outer	2	H181-270		
14	STUD, (Bolt)	10	105-567		
15	CONE, Bearing, Inner	2	H181-265		
16	CONE, Bearing, Outer	2	H181-269		
17	SEAL, Hub	2	125-780		
18	WASHER, Spindle	2	20-845		
19	NUT, Spindle	2	53-580		
20	CAP, Grease	2	4-606—C		
21	WHEEL	2	94-196		
23	TIRE	2	155-152		
24	VALVE, Tire	2	155-142		
25	PIN, Cotter	2	17-1197		
26	NUT	10	53-767		
	TIRE & WHEEL ASSEMBLY	2	A155-152		
	KIT, Brake, Hydraulic Surge	1	A204-1081 Inc. E to F		
	HUB AND DRUM ASSEMBLY	2	132-218--E		
	ACTUATOR, Surge	1	141-114		
	BRAKE ASSEMBLY, R. H.	1	141-119		
	BRAKE ASSEMBLY, L. H.	1	141-119-1		
	KIT, Piping	1	204-1073--F		
	NUT	10	04-603		
	LOCK WASHER	10	05-51-1		



REF. PART NO.	LOCATION	DESCRIPTION
1 62-349	NEAR FUEL FILL CAP	"DIESEL FUEL ONLY"
2 62-521	INSIDE INST. PANEL	"ANTIFREEZE"
3 62-619	ON BATTERY CABLE	"+"
4 62-620	ON BATTERY CABLE	"-"
5 62-621	NEAR BATTERY	"BATTERY INSTRUCTION"
6 62-1342	ON RECEIVER	"OIL FILL"
7 H62-648	ON INSIDE INST. DOOR	WEATHER SEAL
11 62-888	AIR CLEANER SUPPORT	"CAUTION"
15 62-1072	INSIDE RAD. COMP.	"CAUTION RADIATOR"
17 62-1074	(2) ON FAN SHROUD	"CAUTION FAN"
19 N/A	INSIDE INST. PANEL	ENGINE DECAL
20 62-1119	ON INSIDE INST. DOOR	"INSPECTION"
22 62-1207-1	ON INSIDE INST. DOOR	INSTRUCTION
24 62-1242	ON RECEIVER	"CAUTION"

* Typical both sides of unit

PARTS LIST GROUPS AND COMPONENTS

MODEL
Q185,200 DJE

GROUP NO. 15 DECALS AND LABELS			PART NUMBERS		
			STANDARD	3463x	3462x
			8G62-778-3	24G-62-778-3	17G62-778-3
REF	PART DESCRIPTION	QTY			
1	DECAL, Fuel Type (Fuel Filler)	1	62-349	62-349	62-349
2	TAG "ANTIFREEZE"	1	62-521	62-521	62-521
3	LABEL, Positive (Battery)	2	62-619	62-619	62-619
4	LABEL, Negative (Battery)	2	62-620	62-620	62-620
5	PLATE, Battery Instruction (Near Battery)	1	62-621	62-621	62-621
6	DECAL LUBE	1	62-1342	62-1342	62-1342
7	VINYL WEATHERSTRIP	21	H62-648	H62-648	H62-648
8	DECAL, LeROI Lion	*	3	62-778-3	62-778-3
9	PLATE, Noise Emission	1	62-796	62-796	62-796
10	DECAL, Safety	*	1	62-848	62-848
11	"DO NOT FILL" (Fuel Filler)	1	62-858	62-858	62-858
12	DECAL	*	2	62-975	62-1358
13	DECAL, Caution Towing	*	1	62-1011	62-1011
14	DECAL, Danger, Air Discharge	*	1	62-1071	62-1071
15	DECAL, Caution Radiator (Shroud)	1	62-1072	62-1072	62-1072
16	DECAL, Shut Down Engine	1	62-1073	62-1073	62-1073
17	DECAL, Caution Fan Shroud, Curbside	1	62-1074	62-1074	62-1074
18	DECAL, Capacities	1	62-1310-4	62-1310-5	62-1310-4
19	TAG ENGINE OIL	1	62-1092	62-1092	62-1092
20	DECAL, Inspection	1	62-1119	62-1119	62-1119
22	PLATE, Instruction	1	62-1207	62-1207	62-1207
23	DECAL, Made in USA	*	1	62-1219	62-1219
24	DECAL, Caution Receiver	1	62-1242	62-1242	62-1242
25	REFLECTOR, Red	*	4	199-20	199-20
26	REFLECTOR, Amber	*	2	199-20-1	199-20-1
27	NAMEPLATE GVWR	1	62-1308	62-1308	62-1308
28	DECAL, Torque	*	2	62-1312	62-1312
29	DECAL, Deere Power	*	2	62-1332	62-1332
30	DECAL, ISO 9001	1	62-1413	62-1413	62-1413
	* KIT, Decals and Labels	1	A204-1354	A204-1354	A204-1354
* Included in decal kit. N/A = Not Available.					