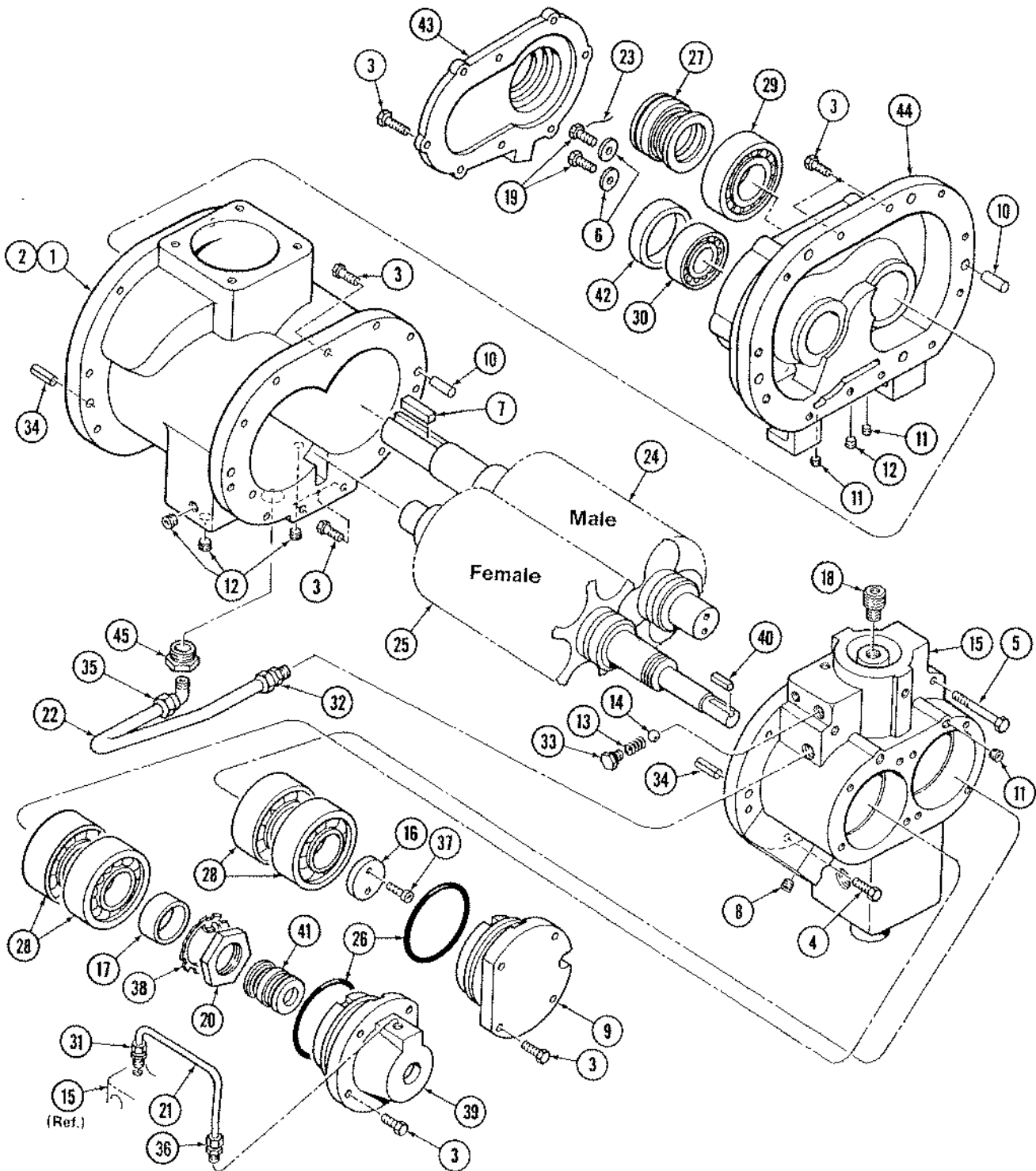


COMPOSITE GROUPS

JULY 1988

4141X

GROUP NUMBER	GROUP NAME	GROUP NUMBER	GROUP NAME
1	AIR END		
2	AIR RECEIVER/OIL RESERVOIR - OIL PIPING/OIL FILTER		
3	AIR CLEANER - INTAKE VALVE		
4	OIL COOLER - FAN - FAN SHROUD		
5	CONTROLS - CONTROL PIPING - LOAD/UNLOAD CONTROL		
5A	CONTROLS - CONTROL PIPING - MODULATING CONTROL		
5B	CONTROLS - CONTROL PIPING - DUAL CONTROL		
5C	CONTROLS - CONTROL PIPING - AUTO-DUAL CONTROL		
5D	CONTROLS - CONTROL PIPING - LEAD/LAG CONTROL		
6	UNIT BASE - DRIVE - ELECTRIC MOTOR		
7	ELECTRICAL CONTROLS - CONTROL ENCLOSURE - TANK MOUNT		
7A	ELECTRICAL CONTROLS - CONTROL ENCLOSURE - BEDPLATE MOUNT		
8	AIR RECEIVER - BEDPLATE		
9	AFTERCOOLER		
10	DECALS		
			<p>WHEN CONSULTING YOUR DISTRIBUTOR OR THE FACTORY CONCERNING YOUR COMPRESSOR OR WHEN ORDERING SERVICE LITERATURE OR SERVICE PARTS, ALWAYS FURNISH COMPLETE UNIT MODEL AND SERIAL NUMBER.</p> <p>NOTE: ILLUSTRATIONS USED IN THIS PARTS LIST ARE OF TYPICAL PARTS AND MAY DIFFER IN DETAIL.</p>



PARTS LIST GROUPS AND COMPONENTS

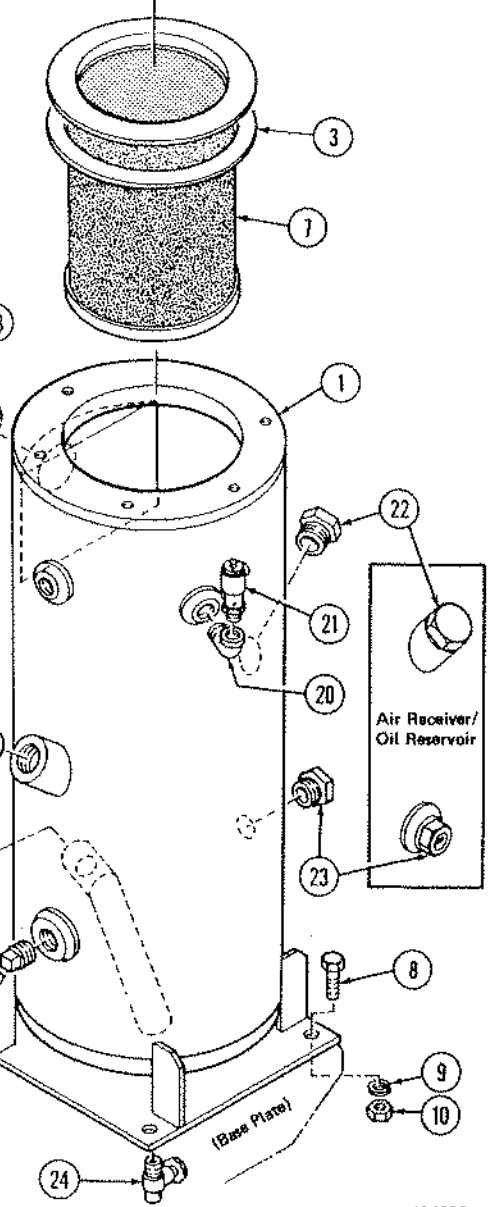
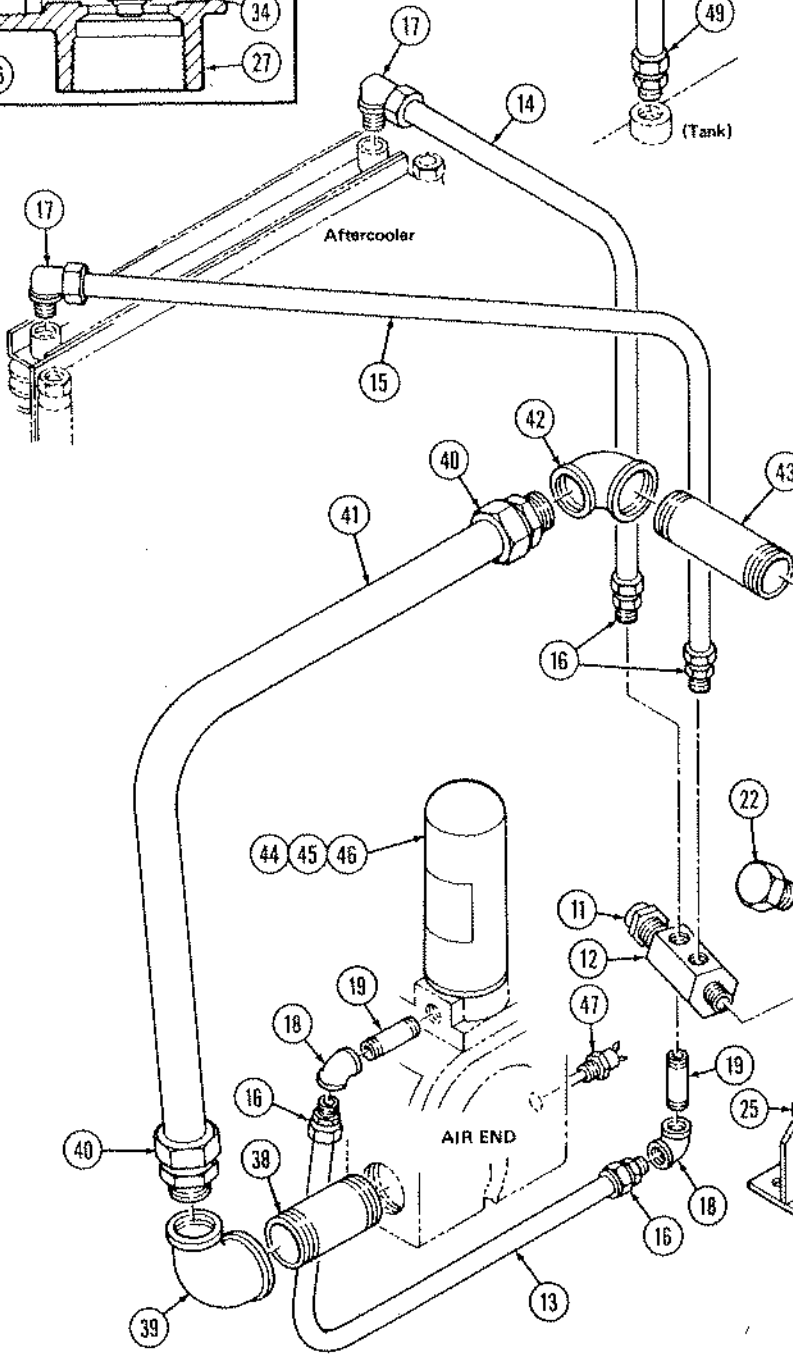
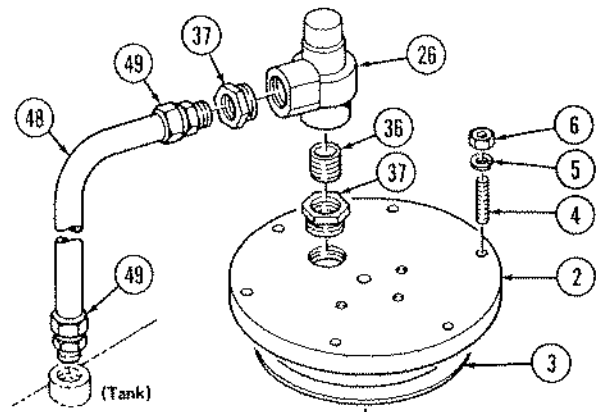
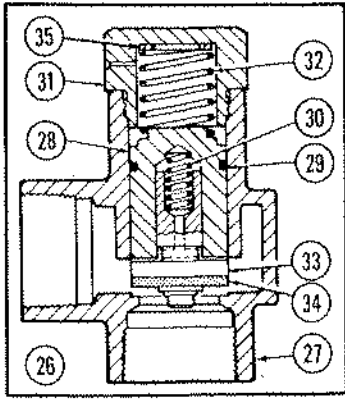
GROUP NO. 1 AIR END

MODEL

20-25-30SS II

PART NUMBERS

Ref.	Part Description	Qty.	STANDARD	STANDARD	STANDARD
			4141x62 and Later	4141x32 thru x61	4141x31 and Before
1	AIR END SERVICE ASSEMBLY	1	1A219-107 Inc. A to B	■	■
2	CYLINDER	1	1-826-10--A	Inc. A to B ■--A	Inc. A to B ■--A
3	SCREW, Cap	35	02-37	■	■
4	SCREW, Cap	2	02-40	■	■
5	SCREW, Cap	2	02-46	■	■
6	WASHER, Flat	2	06-5	■	■
7	KEY, Drive	1	09-144	■	■
8	PLUG, Pipe	2	011-103	■	■
9	COVER, Bearing	1	14-1763	■	■
10	PIN, Dowel	2	17-647	■	■
11	PLUG, Pipe, Special	5	19-202	■	■
12	PLUG, Pipe, Special	5	19-203	■	■
13	SPRING, By Pass Valve	1	24-786	■	■
14	BALL, By Pass Valve	1	H30-51	■	■
15	RETAINER, Bearing	1	31-949-1	■	31-949
16	RETAINER, Bearing	1	31-675	■	■
17	RETAINER, Bearing (Spacer)	1	31-952	■	■
18	NIPPLE, Pipe, Special	1	33-1184	■	33-1180
19	SCREW, Cap, Special	2	34-841-8	■	■
20	NUT, Special	1	53-789	■	■
21	TUBE	1	55-29-48	■	■
22	TUBE	1	55-38-56	■	■
23	WIRE, Locking	AR	61-5	■	■
24	ROTOR, Male (NSS)	1	101-188	■	■
25	ROTOR, Female (NSS)	1	101-199	■	■
26	SEAL, O-Ring	2	125-826-20	■	■
27	SEAL, Rotary	1	125-693-2	■	■
28	BEARING, Special (NSS)	4	181-377	■	■
29	BEARING, Roller (NSS)	1	181-437	■	■
30	BEARING, Roller (NSS)	1	181-578	■	■
31	FITTING	1	182-208	■	■
32	FITTING	1	182-977	■	■
33	FITTING, Special	1	182-833-3	■	■
34	PIN, Roll	2	17-598-52	■	■
35	FITTING, Special	1	H182-637	■	■
36	FITTING, Special	1	182-210	■	■
37	SCREW, Cap, Special	2	34-1518	■	■
38	WASHER, Lock, Special	1	20-902	■	■
39	RETAINER, Seal	1	31-950-1	■	■
40	KEY	1	09-117	■	■
41	SEAL, Rotary	1	125-188-2	125-907	125-907
42	SPACER, Bearing	1	22-1185	■	■
43	COVER, Seal Retainer	1	14-1764	■	■
44	RETAINER, Bearing, Front	1	31-960	■	■
45	BUSHING, Reducer	1	013-1077--B	■--B	■--B



PARTS LIST

GROUPS AND COMPONENTS

GROUP NO. 2 AIR RECEIVER/OIL RESERVOIR - OIL PIPING/OIL FILTER

MODEL

PART NUMBERS

20-25-30SS II

Ref.	Part Description	Qty.	STANDARD	OPTIONAL		
			669-807-1 1G116-426 G55-2491	4G60-449		
1	AIR RECEIVER/OIL RESERVOIR	1	69-807-1			
2	COVER	1	14-1772			
3	GASKET	1	16-2049			
4	STUD	6	105-585			
5	WASHER, Lock	6	05-51			
6	NUT	6	53-788			
7	ELEMENT, Separator	1	43-889-1			
	GASKET, Element	2	Inc. A 16-2049--A			
8	SCREW, Cap	4	02-37			
9	WASHER, Lock	4	05-51			
10	NUT	4	04-103			
11	VALVE, Thermal By Pass	1	116-255			
12	BODY, Thermal, Valve	1	116-426			
13	TUBE	1	55-2488			
14	TUBE	1	55-2489			
15	TUBE	1	55-2490			
16	FITTING, Tube	4	182-436-6			
17	FITTING, Tube	2	182-435-8			
18	ELBOW	2	013-405	013-1614		
19	NIPPLE	1	013-5F			
	NIPPLE, Pipe	1	013-134			
	GAGE, Temperature (Thermostat)	1		60-449		
20	ELBOW, Pipe	1	013-504			
21	VALVE, Pressure Relief	1	15-1270-1			
22	PLUG, Filler	2	182-750-14			
23	GAGE, Oil Level Sight	1	60-428			
24	VALVE, Reservoir Drain	1	15-338			
25	PLUG	1	011-205			
26	VALVE, Minimum Pressure Check	1	15-1667			
			Inc. B to C			
27	BODY, Valve	1	220-182-1--B			
28	PISTON, Large	1	220-182-3			
29	SEAL, O-Ring	1	125-826-29			
30	SPRING, Small	1	220-182-4			
31	CAP	1	220-159-5			
32	SPRING, Large	1	220-159-6			
33	PISTON, Assembly	1	220-159-7			
34	SEAT	1	220-159-8			
35	SPACER (Shim)	3	06-69--C			
36	NIPPLE	1	013-7			
37	BUSHING, Reducer	1	013-1079			
38	NIPPLE	1	013-214			
39	ELBOW, Reducer	1	013-467			
40	FITTING, Tube	2	182-436-8			
41	TUBE	1	55-2486			
42	ELBOW, Reducer	1	013-463			
43	NIPPLE	1	013-196			

PARTS LIST

GROUPS AND COMPONENTS

GROUP NO. 2 AIR RECEIVER/OIL RESERVOIR - OIL PIPING/OIL FILTER

MODEL

PART NUMBERS

20-25-30SS II

Continued from previous page.

Ref.	Part Description	Qty.	PART NUMBERS	
			STANDARD	OPTIONAL
			G69-807-1 1G116-426 G55-2491	4G60-449
44	ELEMENT, Oil Filter Service Assembly	1	A43-880	
45	ELEMENT, Oil Filter	1	Inc. D to E 43-880--D	
46	DECAL, Identification	1	62-1104--E	
47	SWITCH, High Air Temperature Shut Down	1	76-940	
48	TUBE	1	55-2491	
49	FITTING	2	182-436-5	
37	BUSHING, Reducer	1	013-1079	
	BUSHING, Reducer (Less Aftercooler) 120 Gal. Tank	1	013-1089	
	BUSHING, Reducer (Less Aftercooler) 200 Gal. Tank	1	013-1090	
	FLASHING, Shroud	2	38-1281	
	RIVET, Pop	6	126-27	

PARTS LIST

GROUPS AND COMPONENTS

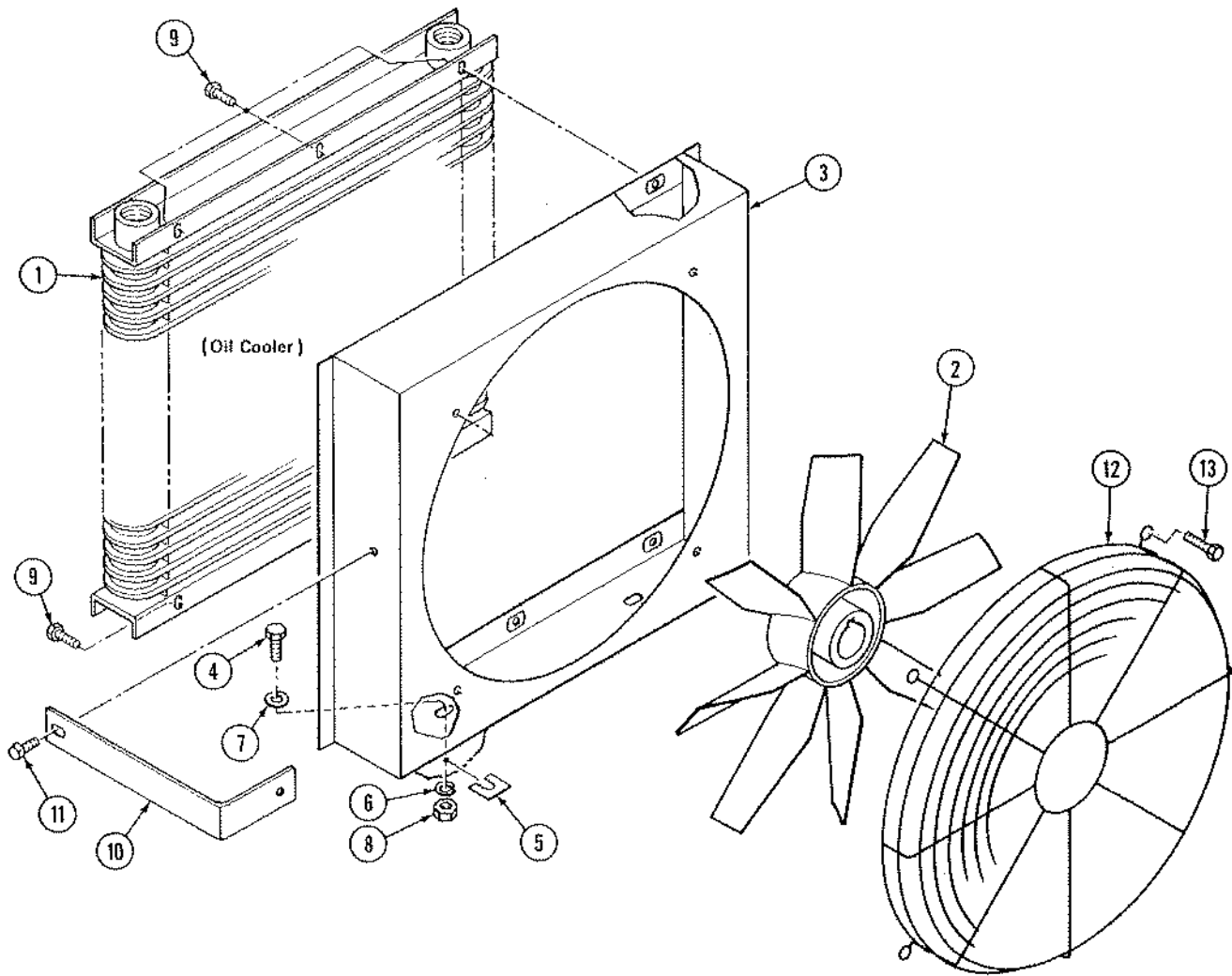
GROUP NO. 3 AIR CLEANER - INTAKE VALVE

MODEL

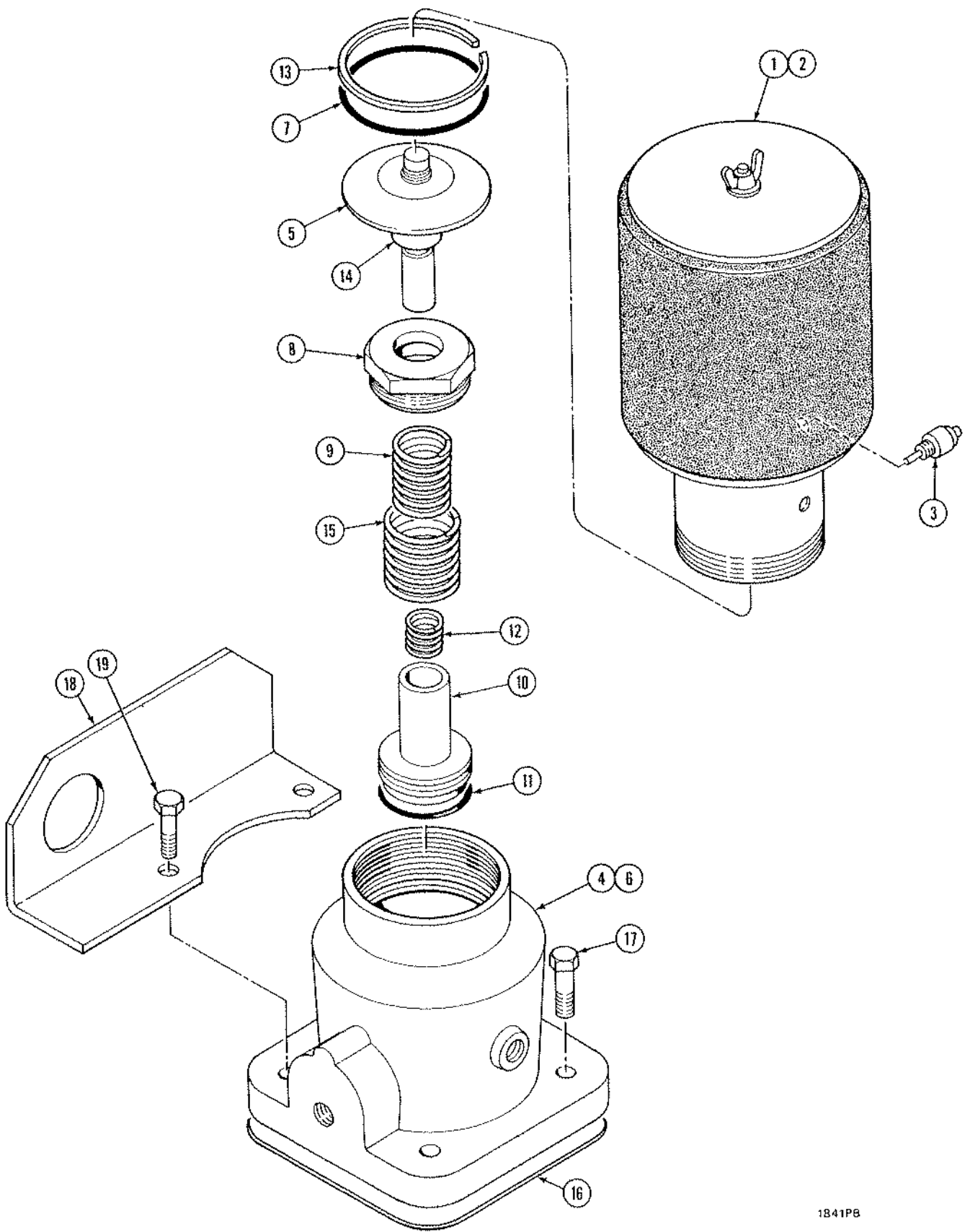
PART NUMBERS

20-25-3088 II

Ref.	Part Description	Qty.	STANDARD	OPTIONAL
			G43-827-1 G116-427	33G43-494
1	AIR CLEANER	1	43-827-1	43-494-2
2	ELEMENT	1	Inc. A 43-763--A	Inc. A 220-105--A
3	INDICATOR, Restriction	1	60-345	
4	VALVE ASSEMBLY, Intake	1	116-427	
5	VALVE	1	Inc. B to C 220-260--B	
6	BODY	1	220-260-1	
7	SEAL, Special	1	220-260-2	
8	CAP	1	220-260-3	
9	SPRING (Inner)	1	220-260-4	
10	PISTON	1	220-260-5	
11	SEAL, O-Ring	1	220-260-6	
12	SPRING	1	220-260-7	
13	RING, Retaining	1	220-260-8	
14	SPACER	1	220-260-9	
15	SPRING (Outer)	1	220-260-10--C	
16	GASKET	1	16-1851	
17	SCREW, Cap	2	02-37	
18	BAIL, Lifting	1	103-252	
19	SCREW, Cap	2	34-482	
	CLAMP	2		83-608
	SCREW, Cap	4		02-20
	WASHER, Flat	4		06-3
	WASHER, Lock	4		05-50
	NUT	4		04-102
	CAP, Rain	1		4-292
	SUPPORT	1		A39-6497
	SCREW, Special	4		34-1512
	HOSE, Elbow	1		H73-765-1
	CLAMP, Hose	2		83-621-3
	TUBE	1		55-2529
	HOSE	1		73-390
	CLAMP, Hose	2		83-621-4
	NIPPLE, Special	1		A33-1206
	ELBOW, Pipe	1		013-410
	NIPPLE, Special	1		33-1207
	GAGE, Restriction Indicator	1		60-345



1842PB



PARTS LIST GROUPS AND COMPONENTS

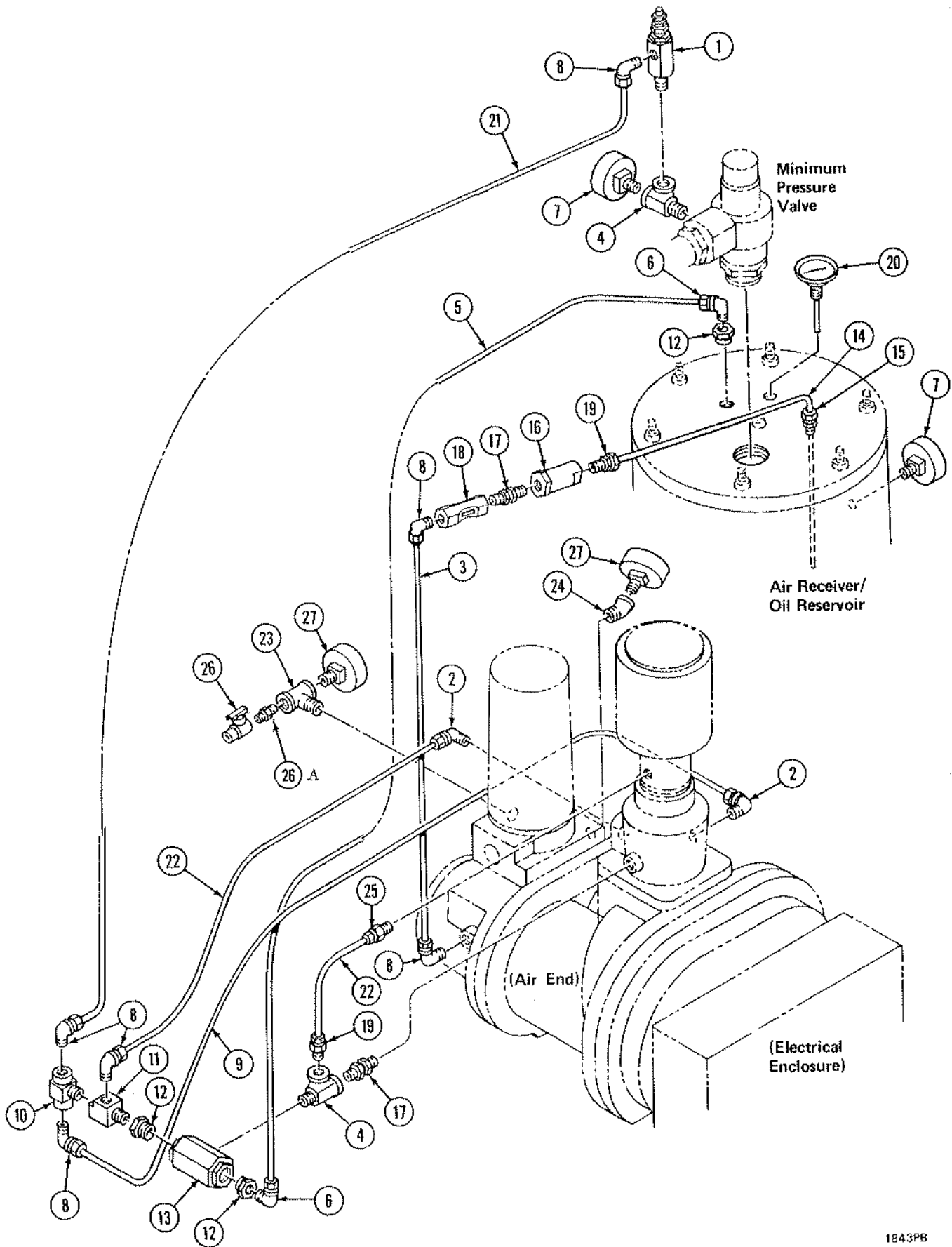
GROUP NO. 4 OIL COOLER - FAN - FAN SHROUD

MODEL

20-25-30SS II

PART NUMBERS

Ref.	Part Description	Qty.	STANDARD	STANDARD
			G71-960	G71-960
			4141x168 and Later	4141x167 and Before
1	COOLER, Oil	1	71-960	■
2	FAN	1	42-327	42-308
3	SHROUD (Cooler Mount)	1	A201-298	■
4	SCREW, Cap	2	02-36	■
5	SPACER	AR	22-873-2	■
6	WASHER, Lock	2	05-51	■
7	WASHER, Flat	4	06-4	■
8	NUT	2	04-103	■
9	SCREW, Cap, Special	6	34-1512	■
10	SUPPORT	1	39-6369	■
11	SCREW, Cap, Special	1	34-1512	■
12	GUARD, Fan	1	156-792	■
13	SCREW, Special	4	34-1407-1	■
	FITTING, Plug, Cover	1	182-750-5	



PARTS LIST

GROUPS AND COMPONENTS

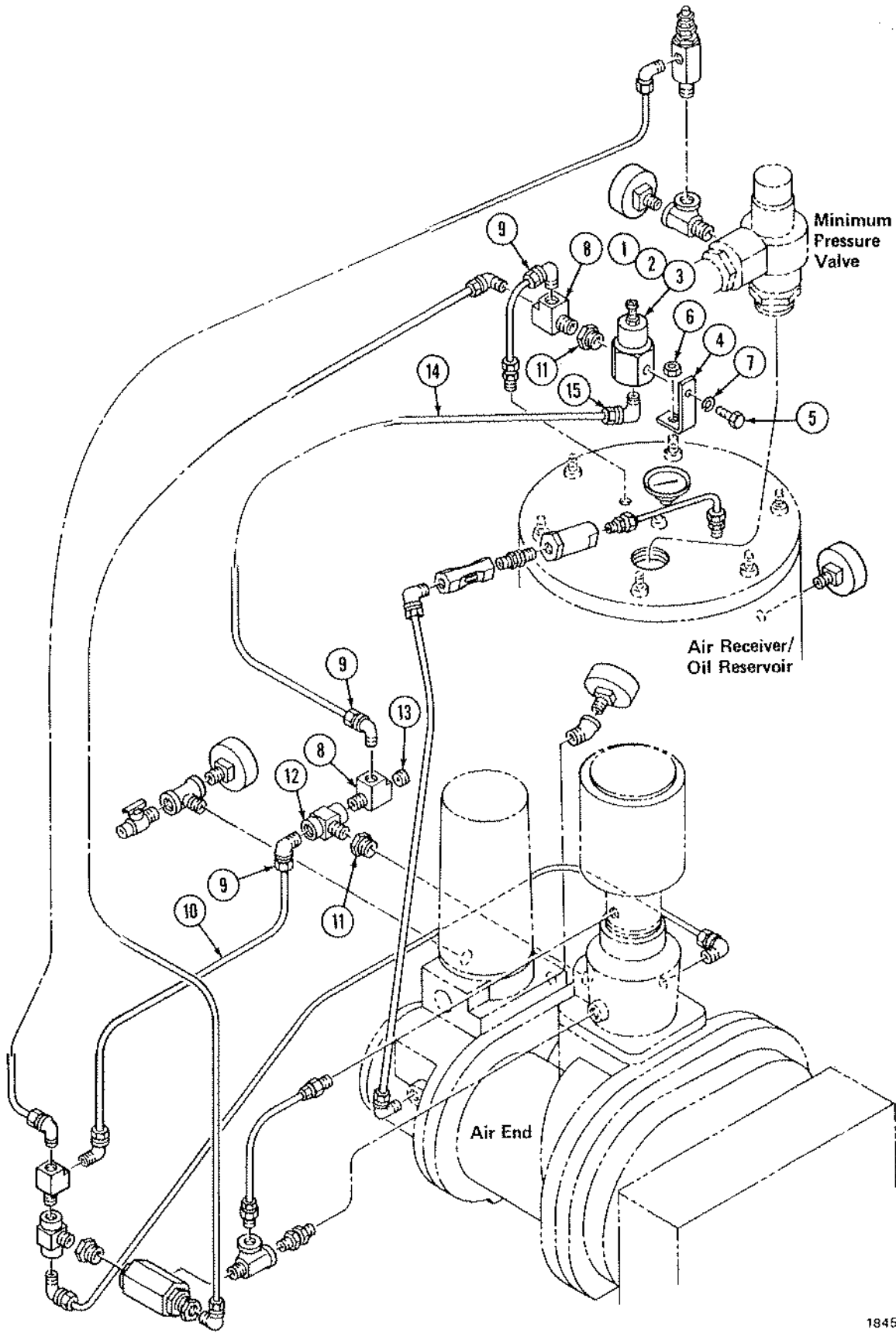
GROUP NO. 5 CONTROLS - CONTROL PIPING- LOAD/UNLOAD CONTROL

MODEL

PART NUMBERS

20-25-30SS II

			STANDARD			
			26GH15-819-1			
Ref.	Part Description	Qty.				
1	VALVE, Unloader Pilot	1	H15-819-1			
2	FITTING	2	H182-383			
3	TUBE	1	55-29-7			
4	FITTING, Tee	2	182-849			
5	TUBE	1	55-51-32			
6	FITTING	3	182-209			
7	GAGE, Air Receiver Pressure	2	60-578			
8	FITTING	6	H182-393			
9	TUBE	1	55-1654-3			
10	VALVE, Shuttle Check	1	15-1179			
11	FITTING, Tee	1	182-182			
12	BUSHING, Reducer	3	013-1061			
13	VALVE, Blow Down (Dump)	1	15-1717			
14	TUBE, Separator Drain (Steel)	1	55-1632-7			
15	FITTING	1	182-862-1			
16	FILTER, Drain Line	1	43-721			
17	VALVE, Check	2	15-1703			
18	GAGE, Sight	1	60-453			
19	FITTING	2	H182-382			
20	GAGE, Temperature (Thermometer)	1	60-449			
21	TUBE	1	55-1654-8			
22	TUBE	1	55-1654-19			
22	ORIFICE	1	182-813			
22	TUBE	1	55-1654-19			
23	TEE, Fitting, Special	1	182-947-1			
24	ELBOW	1	013-532			
25	FITTING	1	H182-358			
26A	FITTING, Special	1	182-906			
26	VALVE, Drain	1	15-338			
27	GAGE, Oil Filter Pressure	2	60-578			



PARTS LIST

GROUPS AND COMPONENTS

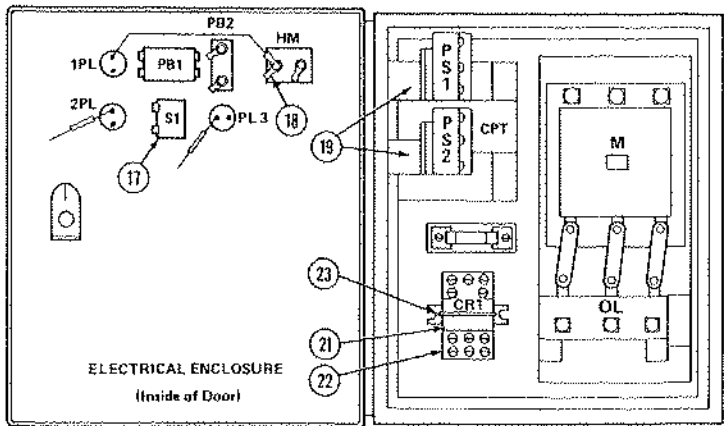
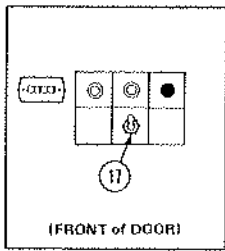
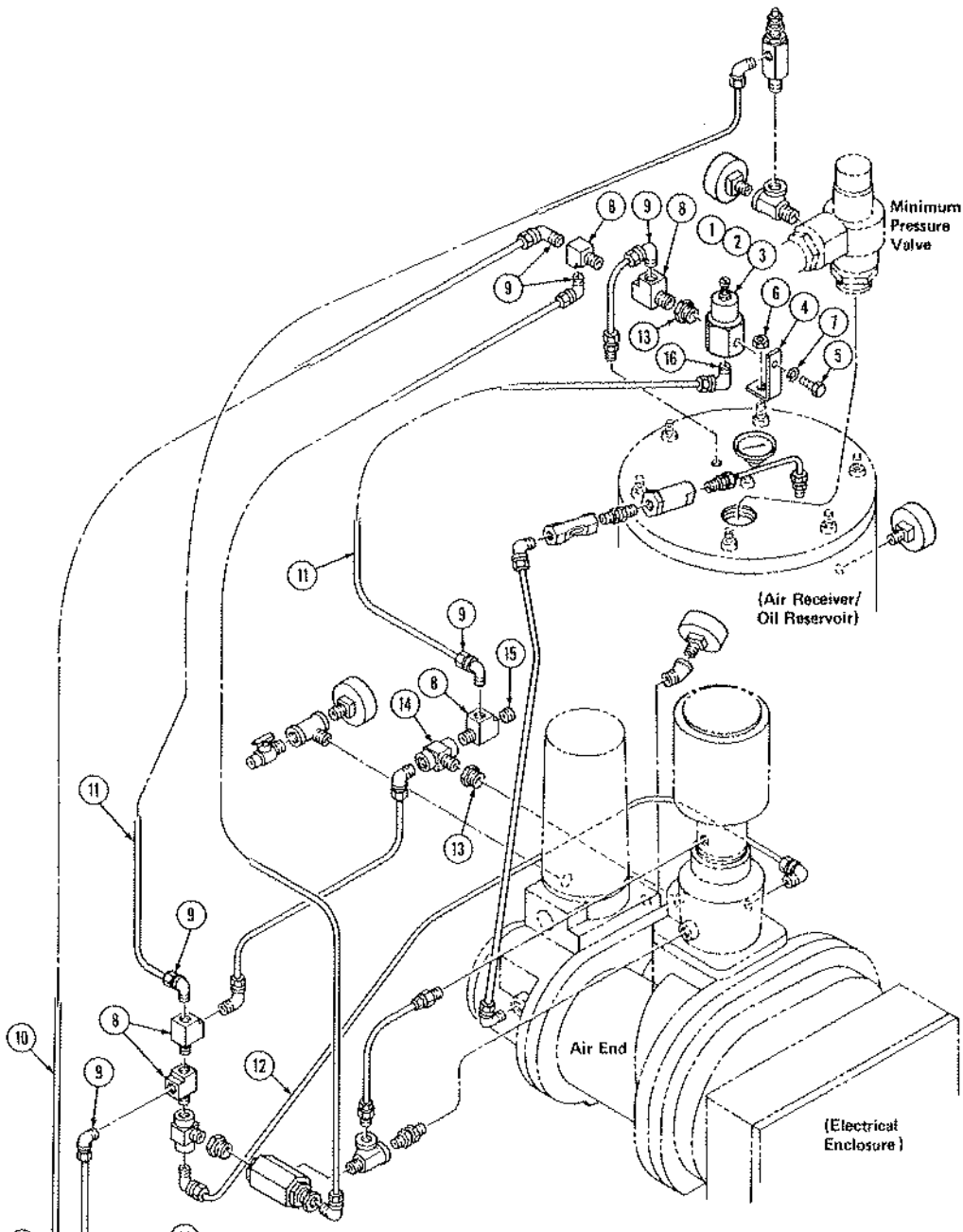
GROUP NO. 5A CONTROLS - CONTROL PIPING - MODULATING CONTROL

MODEL

PART NUMBERS

20-25-305S II

Ref.	Part Description	Qty.	STANDARD			
			34G15-1580			
1	VALVE, Control Pressure Regulator	1	15-1580 Inc. A & B			
2	SEAT	1	220-153--A			
3	DIAPHRAGM	1	220-153-1--B			
4	SUPPORT, Control Pressure Regulator Valve	1	39-6336			
5	SCREW, Cap	1	02-31			
6	NUT	1	04-103			
7	WASHER, Lock	1	05-51			
8	TEE	2	182-182			
9	FITTING	3	H182-393			
10	TUBE	1	55-1654-3			
11	BUSHING	1	013-1061			
12	VALVE, Shuttle Check	1	15-1179			
13	ORIFICE, Control Bleed	1	54-416-18			
14	TUBE	1	55-1654-8			
15	FITTING	1	H182-383			



PARTS LIST

GROUPS AND COMPONENTS

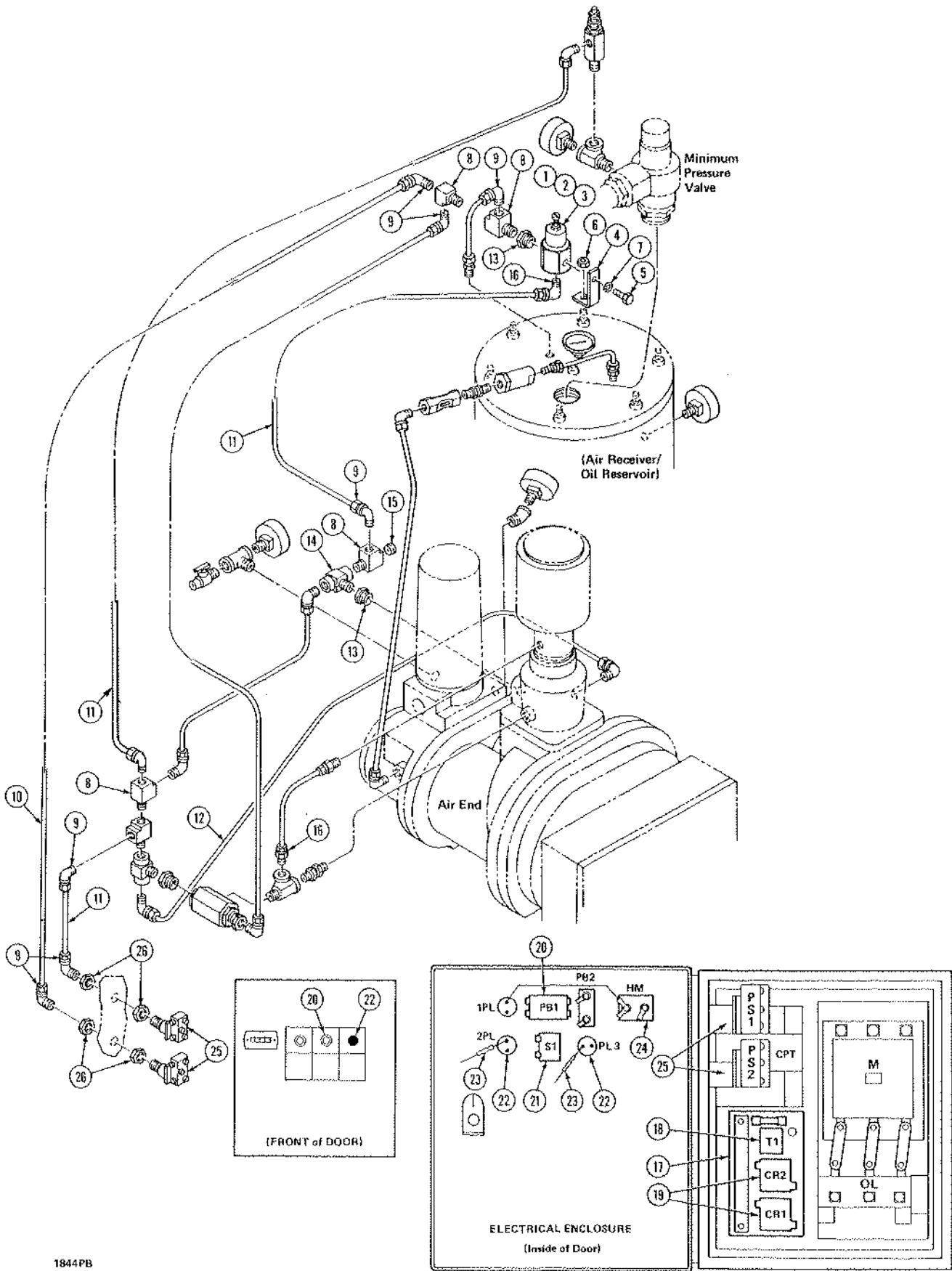
GROUP NO. 5B CONTROLS - CONTROL PIPING - DUAL CONTROL

MODEL

PART NUMBERS

20-25-30SS II

			STANDARD		
			39G15-1580		
Ref.	Part Description	Qty.			
1	VALVE, Control Pressure Regulator	1	15-1580 Inc. A & B		
2	SEAT	1	220-153--A		
3	DIAPHRAGM	1	220-153-1--B		
4	SUPPORT, Control Pressure Regulator Valve	1	39-6336		
5	SCREW, Cap	1	02-31		
6	NUT	1	04-103		
7	WASHER, Lock	1	05-51		
8	FITTING	4	182-182		
9	FITTING	7	H182-393		
10	TUBE	1	55-1654-15		
11	TUBE	1	55-1654-8		
12	TUBE	1	55-1654-3		
13	BUSHING	1	013-1061		
14	VALVE, Shuttle Check	1	15-1179		
15	ORIFICE, Control Bleed	1	54-416-18		
11	TUBE	1	55-1654-8		
16	FITTING	1	H182-382		
	CLAMP	1	C83-134		
17	SWITCH, Toggle	1	76-902		
18	TERMINAL	7	121-96		
19	SWITCH, Pressure	2	76-845		
20	NUT	4	53-261-1		
21	SWITCH, Relay	1	76-1003		
22	BASE, Relay	1	76-1003-1		
23	RETAINER, Relay	1	76-1003-2		
	SCREW, Relay Base	2	03-1447		
	DECAL, Control Legend	1	62-1134		



PARTS LIST

GROUPS AND COMPONENTS

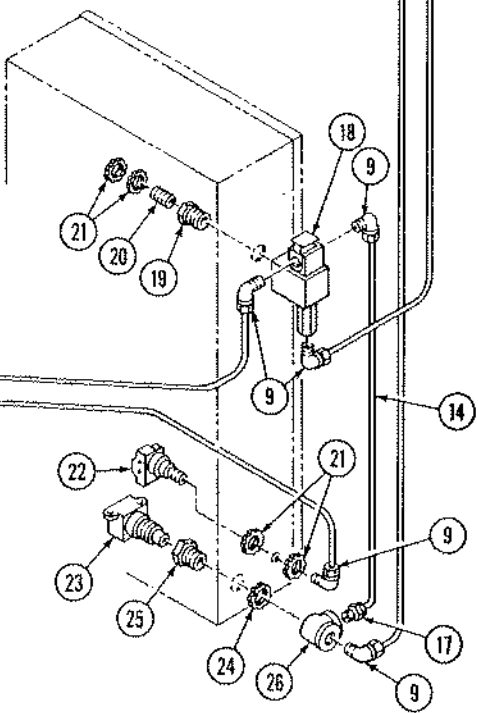
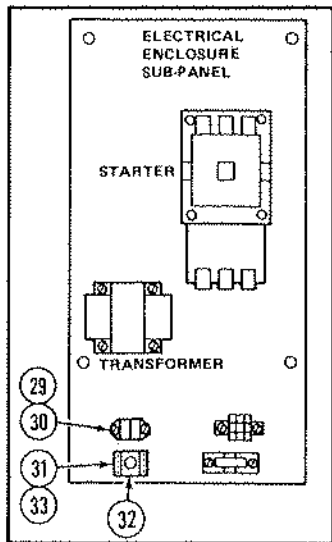
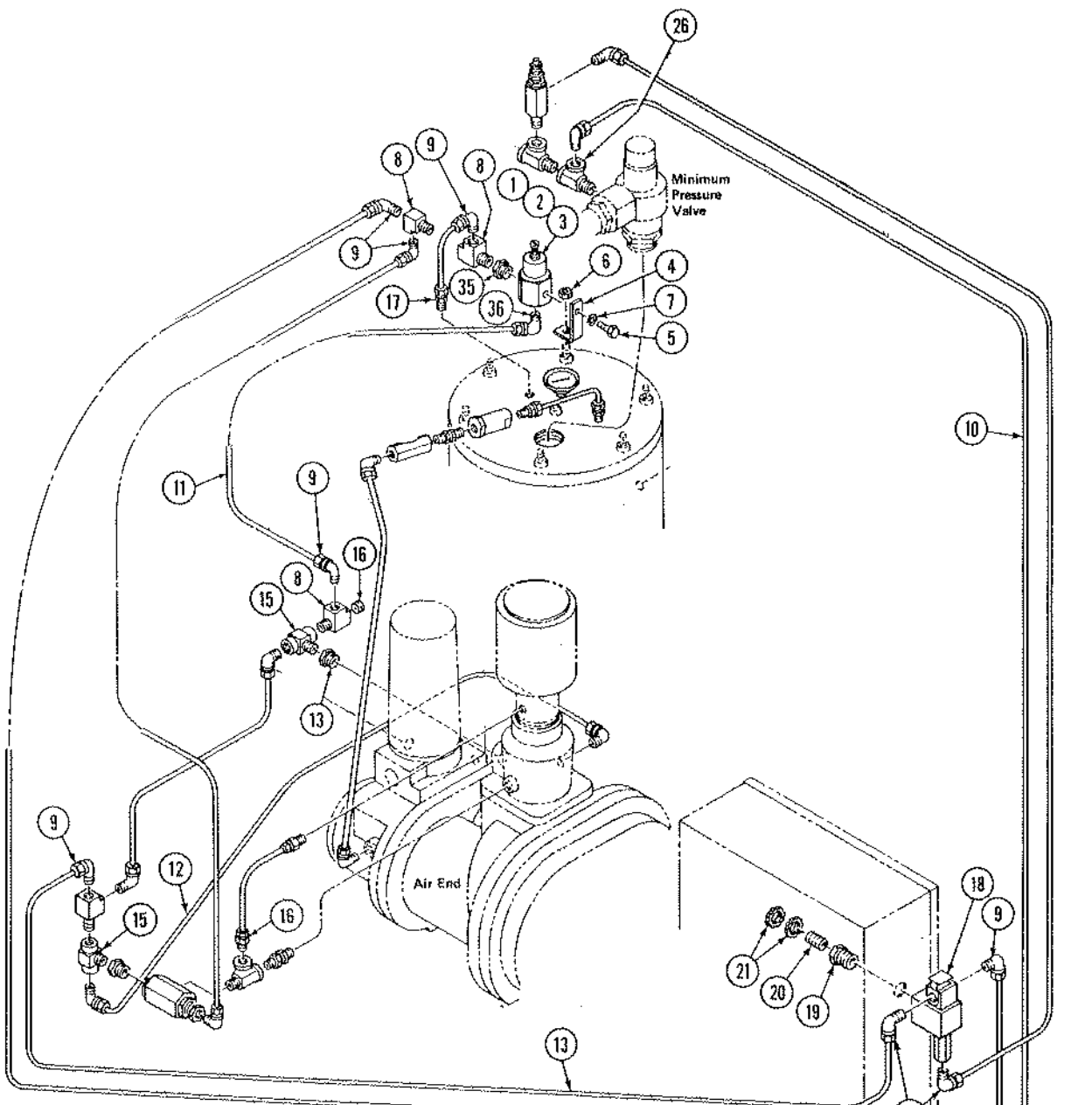
GROUP NO. 5C CONTROLS - CONTROL PIPING - AUTO/DUAL CONTROL

MODEL

PART NUMBERS

20-25-30SS II

Ref.	Part Description	Qty.	STANDARD			
			33G15-1580			
1	VALVE, Control Pressure Regulator	1	15-1580			
2	SEAT	1	Inc. A & B 220--153--A			
3	DIAPHRAGM	1	220-153-1--B			
4	SUPPORT, Control Pressure Regulator Valve	1	39-6336			
5	SCREW, Cap	1	02-31			
6	NUT	1	04-103			
7	WASHER, Lock	1	05-51			
8	TEE	4	182-182			
9	FITTING	7	H182-393			
10	TUBE	1	55-1654-15			
11	TUBE	1	55-1654-8			
12	TUBE	1	55-1654-3			
13	BUSHING	1	013-1061			
14	VALVE, Shuttle Check	1	15-1179			
15	ORIFICE, Control Bleed	1	54-416-18			
11	TUBE	1	55-1654-8			
16	FITTING	1	H182-382			
	CLAMP	1	C83-134			
17	SWITCH, P. C. Board	1	76-1019			
18	TIMER	1	Inc. C & D 76-1013--C			
19	RELAY	2	76-1003--D			
20	SWITCH, Push Button	1	76-1002			
21	SWITCH, Toggle	1	76-1057			
22	BULB, Pilot Lamps	2	160-81			
	GUARD, Button	1	156-810			
23	TERMINAL, Splice	2	121-173			
24	TERMINAL	8	121-96			
25	SWITCH, Pressure	2	76-845			
26	NUT, Lock, Special	4	53-261-1			



PARTS LIST

GROUPS AND COMPONENTS

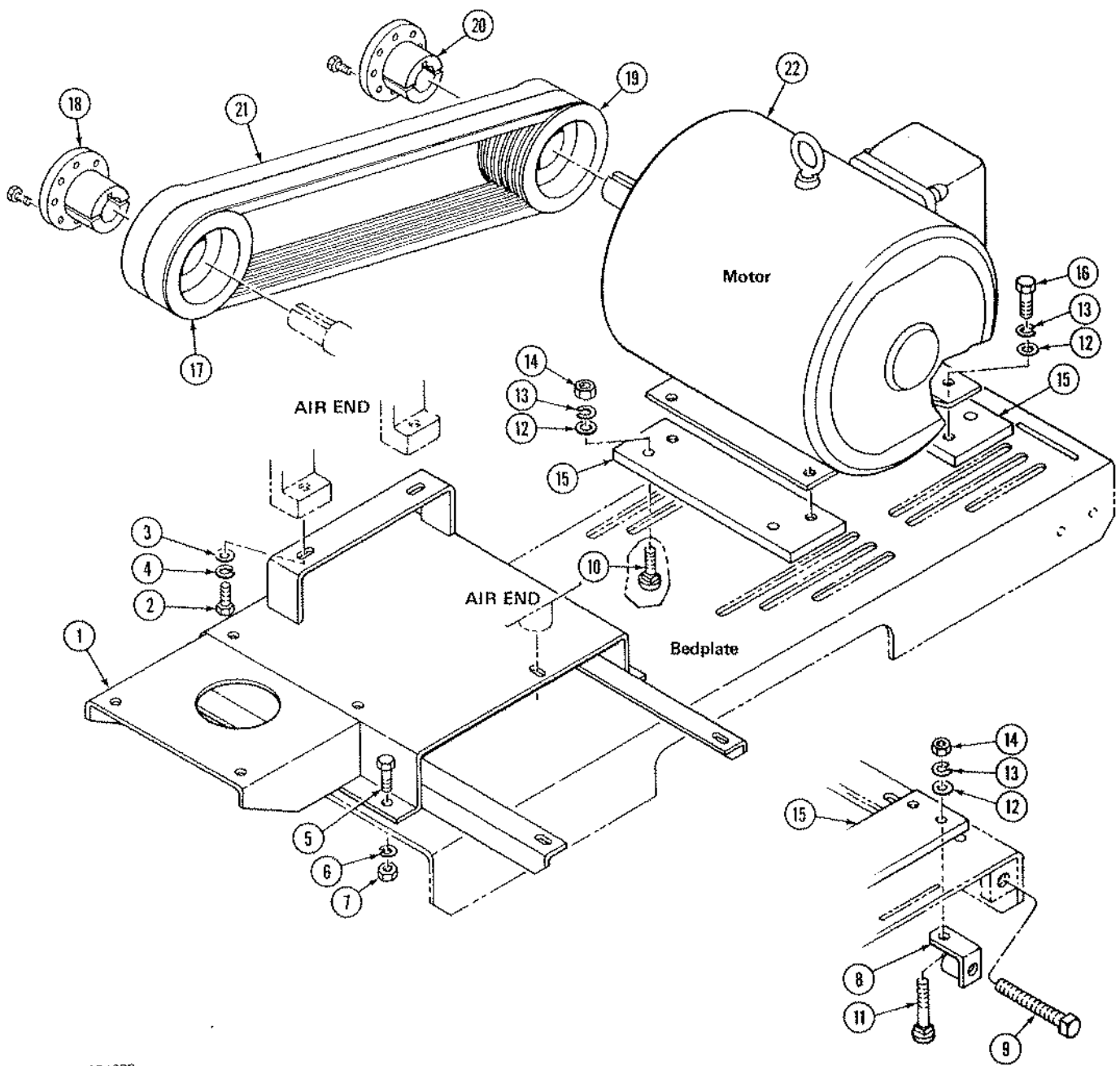
GROUP NO. 5D CONTROLS - CONTROL PIPING - LEAD/LAG CONTROL

MODEL

PART NUMBERS

20-25-3088 II

Ref.	Part Description	Qty.	STANDARD			
			48G15-1580			
1	VALVE, Control Pressure Regulator	1	15-1580			
2	SEAT	1	Inc. A & B			
3	DIAPHRAGM	1	220-153--A			
4	SUPPORT, Control Pressure Regulator Valve	1	220-153-1--B			
5	SCREW, Cap	1	39-6336			
6	NUT	1	02-31			
7	WASHER, Lock	1	04-103			
8	TEE	3	05-51			
9	FITTING	7	182-182			
10	TUBE	1	H182-393			
11	TUBE	1	55-1654-15			
12	TUBE	1	55-1654-8			
13	TUBE	1	55-1654-3			
14	TUBE	1	55-1654-14			
15	VALVE, Shuttle Check	1	55-1654-19			
16	ORIFICE, Control Bleed	1	15-1179			
17	FITTING	2	54-416-18			
	FITTING	1	H182-382			
	FITTING	1	H182-358			
18	VALVE, Solenoid	1	15-1773			
19	FITTING, Conduit	1	188-121			
20	NIPPLE, Pipe	1	013-4A			
21	NUT	4	53-261-1			
22	SWITCH, Pressure	1	76-845			
23	SWITCH, Pressure	1	76-845-1			
24	NUT	1	188-130-2			
25	FITTING	1	182-913			
26	FITTING	2	182-849			
	CLAMP	1	C83-134			
27	SWITCH, Toggle	1	76-902			
	TERMINAL	8	121-96			
32	SWITCH, Relay	1	76-1013			
33	SOCKET, Relay	1	76-1003			
	TERMINAL, Splice	2	121-73			
34	DECAL, Lead/Lag	1	62-1129			
	BOARD, Printed Circuit	1	76-1019			
	SWITCH, Push Button	1	76-1002			
	LAMP, Signal	2	160-81			
35	BUSHING	1	013-1061			
36	FITTING	2	H182-383			



1846PB

PARTS LIST

GROUPS AND COMPONENTS

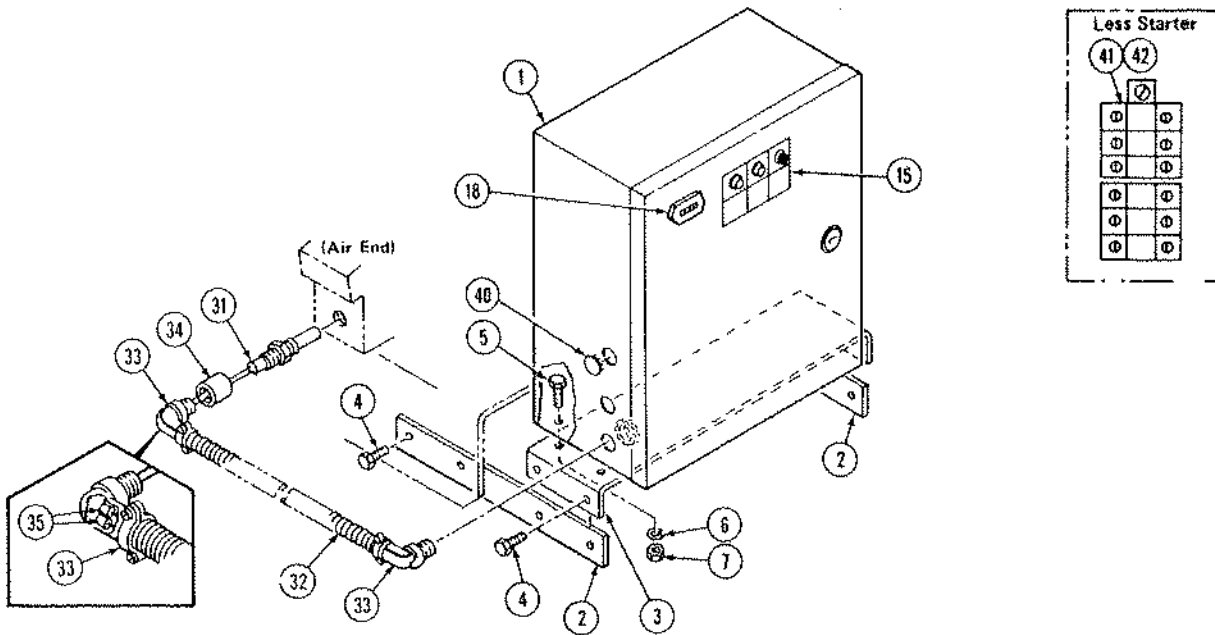
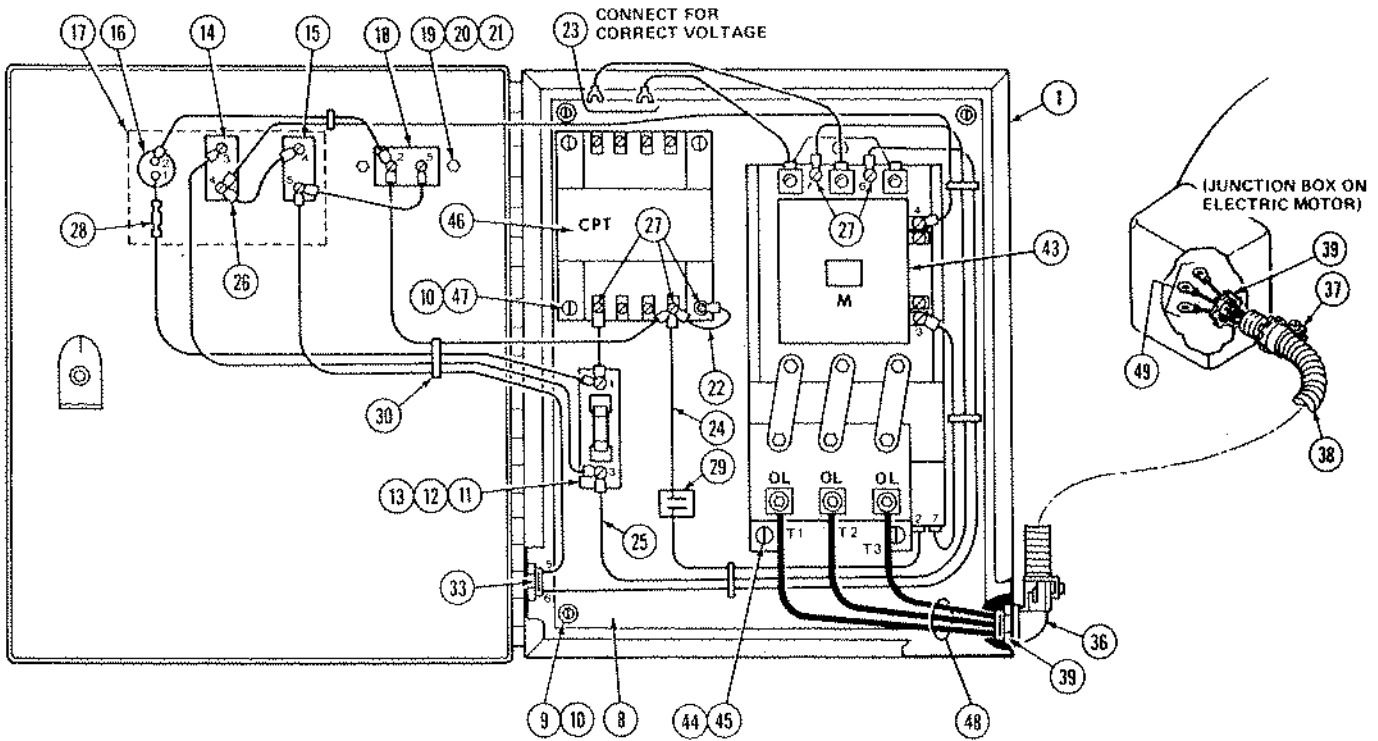
GROUP NO. 6 UNIT BASE - DRIVE - ELECTRIC MOTOR

MODEL

PART NUMBERS

20-25-30SS II

Ref.	Part Description	Qty.	STANDARD	STANDARD	STANDARD
			G118-2060 G36-1258 G36-1258-2	G118-2060 1G36-1258-2 G360-1258-3 1G36-1258-3	G118-2060 G36-1258-1 2G36-1258-2 1G36-1258-2
			GH212-28 20SS	1GH212-28 25SS	1GH212-28 30SS
1	BASE, Weldment	1	A118-2060	■	■
2	SCREW, Cap	3	02-70	■	■
3	WASHER, Flat	3	06-6	■	■
4	WASHER, Lock	3	05-53	■	■
5	SCREW, Cap	4	02-101	■	■
6	WASHER, Lock	4	05-55	■	■
7	NUT	4	04-108	■	■
8	LUG, Belt, Adjuster	1	AH212-28	■	■
9	BOLT, Special	1	A34-1521	■	■
10	BOLT, Special	3	020-138	020-139	020-139
11	BOLT, Special	1	020-139	020-140	020-140
12	WASHER, Flat	4	06-6	■	■
13	WASHER, Lock	4	05-53	■	■
14	NUT	4	04-105	■	■
15	RAIL, Motor	2	142-218		
16	SCREW, Cap	4	02-72		
12	WASHER, Flat	4	06-6		
13	WASHER, Lock	4	05-53		
DRIVE FOR 100 PSI OPERATION					
17	PULLEY (Compressor)	1	36-1258	36-1258-2	36-1258-1
18	BUSHING, Pulley	1	21-1018	■	■
19	PULLEY (Motor)	1	36-1258	36-1258-4	36-1258-5
20	BUSHING, Pulley	1	21-1018	132-190-1	132-190-1
21	BELT, Set of 2	1	41-603-5	41-306-6	41-603-7
DRIVE FOR 125 PSI OPERATION					
17	PULLEY (Compressor)	1	36-1258-3	36-1258-3	36-1258-3
18	BUSHING, Pulley	1	132-190	■	■
19	PULLEY (Motor)	1	36-1258	36-1258-4	36-1258-5
20	BUSHING, Pulley	1	21-1018	132-190-1	132-190-1
21	BELT, Set of 2	1	41-603-5	41-603-7	41-603-7
DRIVE FOR 150 PSI OPERATION					
17	PULLEY (Compressor)	1	36-1258-3	36-1258-3	36-1258-2
18	BUSHING, Pulley	1	132-190	132-190	132-190
19	PULLEY (Motor)	1	36-1258-3	36-1258-3	36-1258-4
20	BUSHING, Pulley	1	132-190-1	132-190-1	132-190-1
21	BELT, Set of 2	1	41-603-6	41-603-6	41-603-6
ELECTRIC MOTORS 200 VOLT					
22	MOTOR, Open Drip Proof	1	H107-697-24	H107-697-27	H107-697-30
	MOTOR, T. E. F. C.	1	H107-698-24	H107-698-27	H107-698-30
	MOTOR, H. E. O. D. P.	1	107-876-24	H107-876-27	107-876-30
	MOTOR, H. E. T. E. F. C.	1	107-917-24	H107-917-27	107-917-30
ELECTRIC MOTORS 230/460 VOLT					
22	MOTOR, Open Drip Proof	1	H107-697-25	H107-697-28	H107-697-31
	MOTOR, T. E. F. C.	1	H107-698-25	H107-698-28	H107-698-31
	MOTOR, H. E. O. D. P.	1	107-876-25	H107-876-28	107-876-31
	MOTOR, H. E. T. E. F. C.	1	107-917-25	H107-917-28	107-917-31
ELECTRIC MOTORS 575 VOLT					
22	MOTOR, Open Drip Proof	1	H107-697-26	H107-697-29	H107-697-32
	MOTOR, T. E. F. C.	1	H107-698-26	H107-698-29	H107-698-32
	MOTOR, H. E. O. D. P.	1	107-876-26	H107-876-29	107-876-32
	MOTOR, H. E. T. E. F. C.	1	107-917-26	H107-917-29	107-917-32



PARTS LIST GROUPS AND COMPONENTS

GROUP NO. 7 ELECTRICAL CONTROLS - CONTROL ENCLOSURE - TANK MOUNT

MODEL

PART NUMBERS

20-25-30SS II

Ref.	Part Description	Qty.	STANDARD	STANDARD	STANDARD	STANDARD
			G68-2017-1	G68-2017-1	G68-2017-1	1G68-2096
			1G76-985-12	G76-985-13	G76-985-15	
			1G76-985-10	2G76-985-12	1G76-985-13	
			G76-985-7	G76-985-14	G76-985-11	
				G76-985-7	G76-985-14	
			With Starter	With Starter	With Starter	W/O Starter
			20SS	25SS	30SS	20-25-30SS II
200/230 VOLT						
1	ENCLOSURE, Control	1	68-2017-1	68-2135	68-2135	68-2135
2	SUPPORT, Enclosure	2	39-6399	■	■	■
3	SUPPORT, Enclosure	1	39-6400	■	■	■
4	SCREW, Cap	8	34-1512	■	■	■
5	SCREW, Cap	4	02-4	■	■	■
6	WASHER, Lock	4	05-49	■	■	■
7	NUT	4	04-101	■	■	■
8	PANEL, Sub	1	68-2018	68-2136	68-2136	68-2136
9	SCREW, Special	4	03-130	02-21	02-21	02-21
10	WASHER, Flat	4	06-65	(12) 06-3	(12) 06-3	06-3
	WASHER, Lock	4		05-50	05-50	05-50
	NUT	8		04-102	04-102	04-102
460/575 VOLT						
1	ENCLOSURE, Control	1	68-2017-1	■	■	■
2	SUPPORT, Enclosure	2	39-6399	■	■	■
3	SUPPORT, Enclosure	1	39-6400	■	■	■
4	SCREW, Cap	8	34-1512	■	■	■
5	SCREW, Cap	4	02-4	■	■	■
6	WASHER, Lock	4	05-49	■	■	■
7	NUT	4	04-101	■	■	■
8	PANEL, Sub	1	68-2018	■	■	■
9	SCREW, Special	4	03-130	■	■	■
10	WASHER, Flat	4	06-65	■	■	■
200/230/460/575 VOLT						
11	BLOCK, Fuse	1	139-247	■	■	■
12	FUSE	1	139-244	■	■	■
13	SCREW, Special	2	03-1447	■	■	■
14	SWITCH, Push Button (Start)	1	76-1001	■	■	■
15	SWITCH, Push Button (Stop)	1	76-1001-1	■	■	■
16	LAMP	1	160-81	■	■	■
17	DECAL, Control Legend	1	62-1095	■	■	■
18	HOURLMETER	1	60-575	■	■	■
19	SCREW, Special	2	03-58	■	■	■
20	WASHER, Lock	2	05-23	■	■	■
21	NUT	2	04-9	■	■	■
22	WIRE, Green, Ground	AR	61-888	■	■	■
23	WIRE, Red, Control	AR	61-888-1	■	■	■
24	WIRE, White, Control	AR	61-888-2	■	■	■
25	WIRE, Black	AR	61-888-3	■	■	■
26	TERMINAL	6	121-99	■	■	■
27	TERMINAL	3	121-95	■	■	121-96
28	TERMINAL, Splice	1	121-173	■	■	■
29	CLAMP	3	83-659-3	■	■	■
30	CLAMP	15	83-659	■	■	■
31	SWITCH	1	76-940	■	■	■

PARTS LIST

GROUPS AND COMPONENTS

GROUP NO. 7 ELECTRICAL CONTROLS - CONTROL ENCLOSURE - TANK MOUNT

MODEL

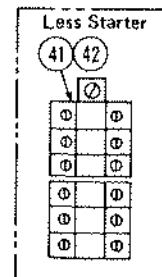
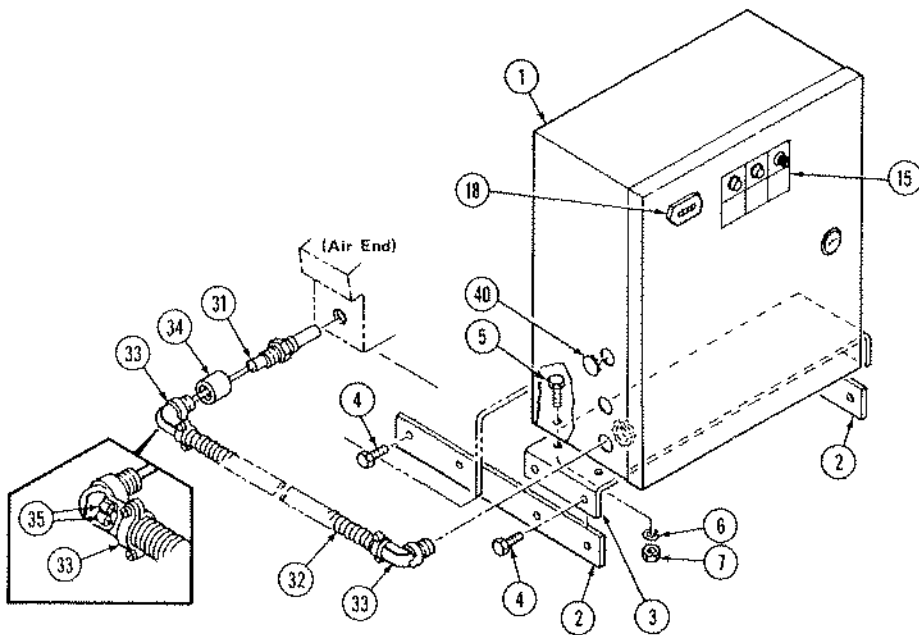
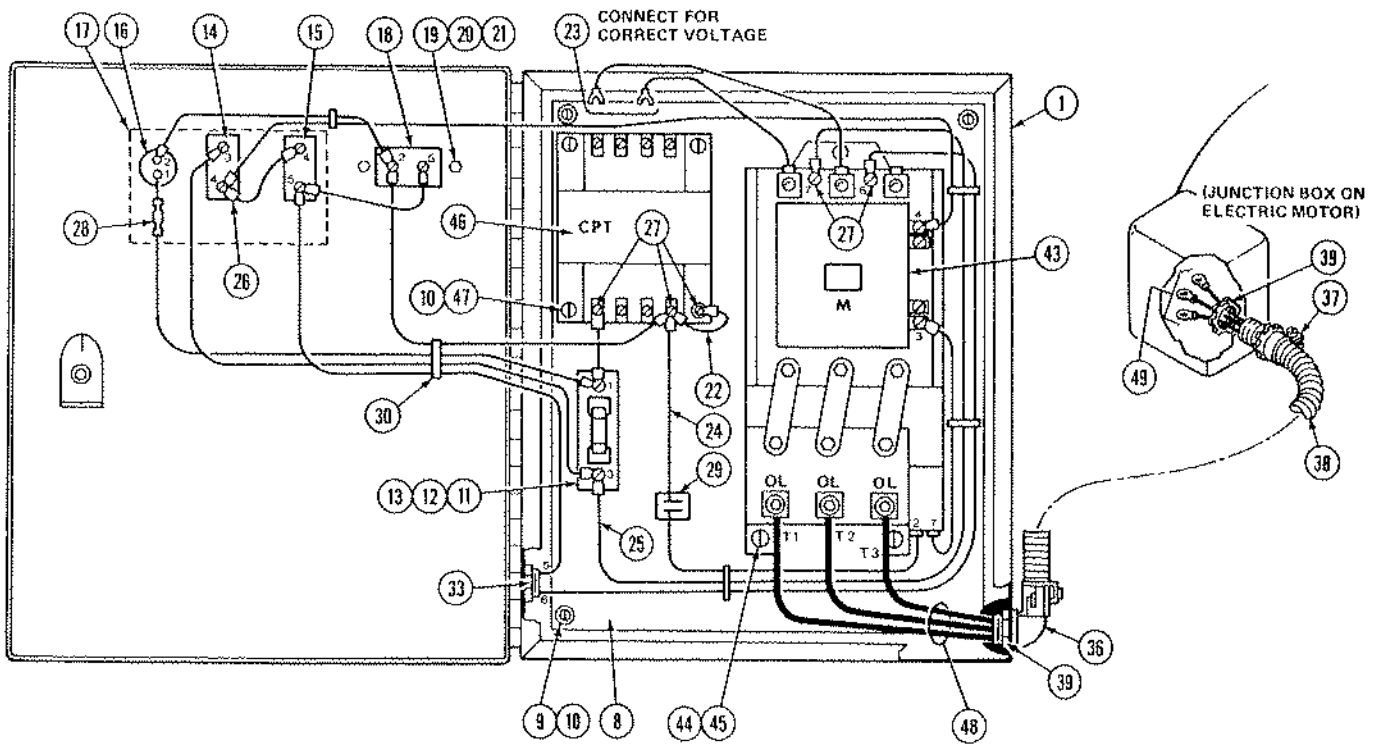
PART NUMBERS

20-25-30SS II

Continued from previous page.

Ref.	Part Description	Qty.	STANDARD	STANDARD	STANDARD	STANDARD
			G68-2017-1	G68-2017-1	G68-2017-1	1G68-2017-1
			1G76-985-12	G68-2096	G68-2096	
			1G76-985-10	G76-985-13	G76-985-15	
			G76-985-7	2G76-985-12	1G76-985-13	
				G76-985-14	G76-985-11	
				G76-985-7	G76-985-14	
			With Starter	With Starter	With Starter	W/O Starter
			20SS	25SS	30SS	20-25-30SS II
32	CONDUIT, Wire	1	61-563	■	■	■
33	FITTING, Conduit	2	H121-120	■	■	■
34	COUPLING	1	013-704	■	■	■
35	TERMINAL, Wire Nut	2	121-170	■	■	■
36	FITTING, Conduit	1	121-123	■	■	■
37	FITTING, Conduit	1	188-138	■	■	■
38	CONDUIT	1	61-561	■	■	■
39	NUT, Conduit	2	188-74	■	■	■
40	PLUG, Unused Hole	2	19-112-2	■	■	■
41	STRIP, Terminal	2				121-157
42	SCREW, Special	2				34-1201-2
	200 VOLT					
43	SWITCH, Magnetic Starter	1	76-1083-8	76-1083-9	76-1083-9	
44	SCREW, Special	2	34-1407	34-1407-1	34-1407-1	
45	WASHER, Flat	3	06-65	06-67	06-67	
46	SWITCH, Overload Relay	1	76-1083-36	76-1083-38	76-1083-38	
47	TRANSFORMER	1	185-13-3	■	■	
47	SCREW, Special	4	34-1407	■	■	
10	WASHER, Flat	4	06-65	■	■	
48	WIRE	AR	61-888-8	61-888-10	61-888-11	
49	TERMINAL	3	121-208-9	121-208-12	121-208-16	
	230 VOLT					
43	SWITCH, Magnetic Starter	1	76-1083-7	76-1083-8	76-1083-9	
44	SCREW, Special	2	34-1201-2	34-1407	34-1407-1	
45	WASHER, Flat	2		06-65	06-67	
46	SWITCH, Overload Relay	1	76-1083-36	76-1083-37	76-1083-38	
46	TRANSFORMER	1	185-13-2	■	■	
47	SCREW, Special	4	34-1407	■	■	
10	WASHER, Flat	4	06-65	■	■	
48	WIRE	AR	61-888-7	61-888-9	61-888-10	
49	TERMINAL	3	121-208-5	121-208-12	121-208-12	
	460 VOLT					
43	SWITCH, Magnetic Starter	1	76-1083-4	76-1083-5	76-1083-6	
47	SCREW, Special	2	34-1201-2	■	■	
46	SWITCH, Overload Relay	1	76-1083-34	76-1083-35	76-1083-35	
46	TRANSFORMER	1	185-13-2	■	■	
47	SCREW, Special	4	34-1407	■	■	
10	WASHER, Flat	4	06-65	■	■	
48	WIRE	AR	61-888-6	■	■	
49	TERMINAL	3	121-208-1	■	■	
	575 VOLT					
43	SWITCH, Magnetic Starter	1	76-1083-3	76-1083-4	76-1083-5	
47	SCREW, Special	2	34-1201-2	■	■	
46	SWITCH, Overload Relay	1	76-1083-32	76-1083-34	76-1083-35	
46	TRANSFORMER	1	185-13-2	■	■	
10	WASHER, Flat	4	06-65	■	■	
48	WIRE	AR	61-888-6	■	■	
49	TERMINAL	3	121-208-1	■	■	

■ Part number is same as in first column.



PARTS LIST

GROUPS AND COMPONENTS

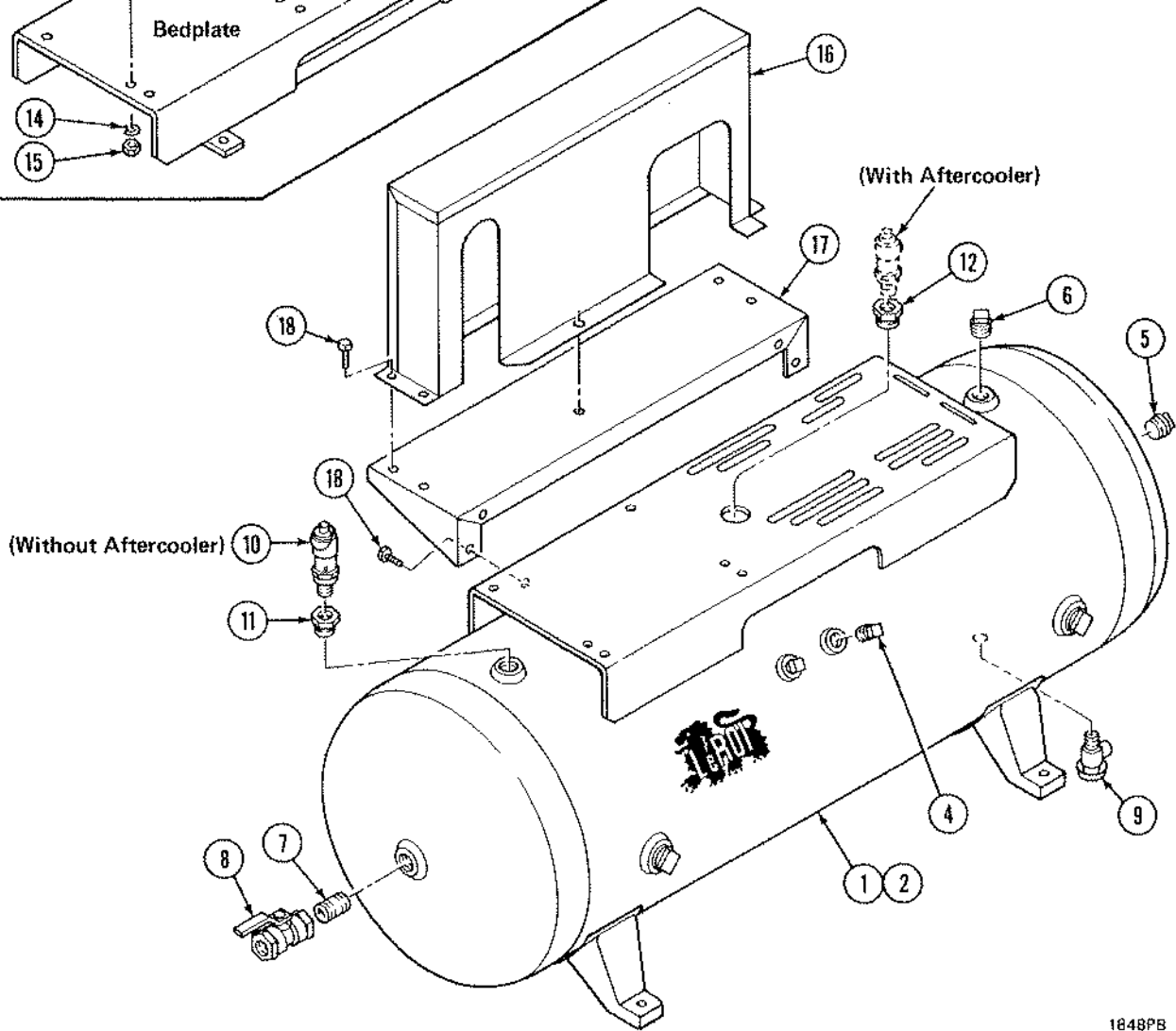
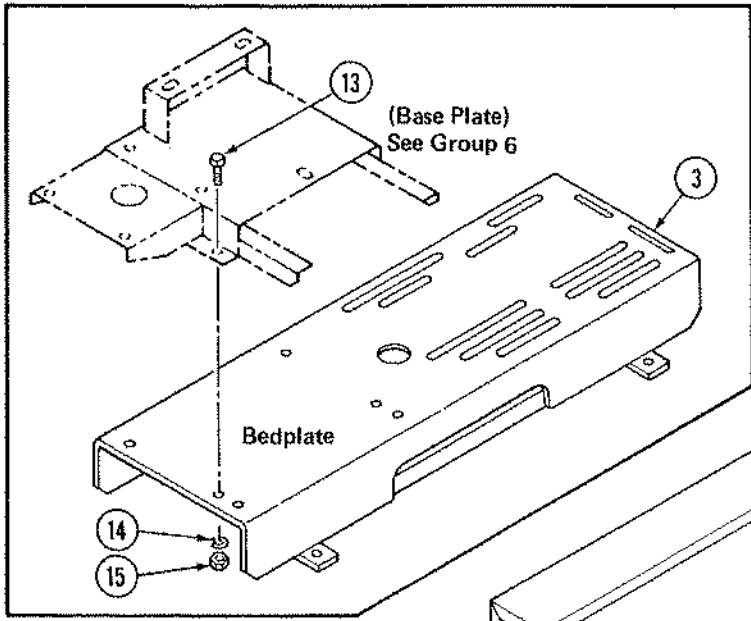
GROUP NO. 7A ELECTRICAL CONTROLS - CONTROL ENCLOSURE - BEDPLATE MOUNT

MODEL

PART NUMBERS

20-25-3088 II

Ref.	Part Description	Qty.	STANDARD	STANDARD
			5G68-1965	6G68-1965
			With Starter	W / O Starter
1	ENCLOSURE, Control	1	68-1965	■
2	SUPPORT, Enclosure	2	39-6399	■
3	SUPPORT, Enclosure	1	39-6400-1	■
4	SCREW, Special	8	34-1512	■
5	SCREW, Cap	4	02-34	■
	WASHER, Flat	4	06-4	■
6	WASHER, Lock	4	05-51	■
7	NUT	4	04-103	■
8	PANEL, Sub	1	68-2136	■
9	SCREW, Special	4	03-130	■
10	WASHER, Flat	4	06-65	■
11	BLOCK, Fuse	1	139-247	■
12	FUSE	1	139-244	■
13	SCREW, Special	2	03-1447	■
14	SWITCH, Push Button (Start)	1	76-1001	■
15	SWITCH, Push Button (Stop)	1	76-1001-1	■
16	LAMP	1	160-81	■
17	DECAL, Control Legend	1	62-1095	■
18	HOURLMETER	1	60-575	■
19	SCREW, Special	2	03-58	■
20	WASHER, Lock	2	05-23	■
21	NUT	2	04-9	■
22	WIRE, Green, Ground	AR	61-888	■
23	WIRE, Red, Control	AR	61-888-1	■
24	WIRE, White, Control	AR	61-888-2	■
25	WIRE, Black	AR	61-888-3	■
26	TERMINAL	6	121-99	■
27	TERMINAL	3	121-96	■
28	TERMINAL, Splice	1	121-173	■
29	CLAMP	3	83-659-3	■
30	CLAMP	15	83-659	■
31	SWITCH	1	76-940	■
32	CONDUIT, Wire	1	61-563	■
33	FITTING, Conduit	2	H121-120	■
34	COUPLING	1	013-704	■
35	TERMINAL, Wire Nut	2	121-170	■
36	FITTING, Conduit	1	121-123	■
37	FITTING, Conduit	1	188-123	■
38	CONDUIT	1	61-561	■
39	NUT	2	188-74	■
40	PLUG, Unused Hole	2	19-112-2	■
41	STRIP, Terminal	2		121-157
42	SCREW, Special	2		34-1201-2



PARTS LIST

GROUPS AND COMPONENTS

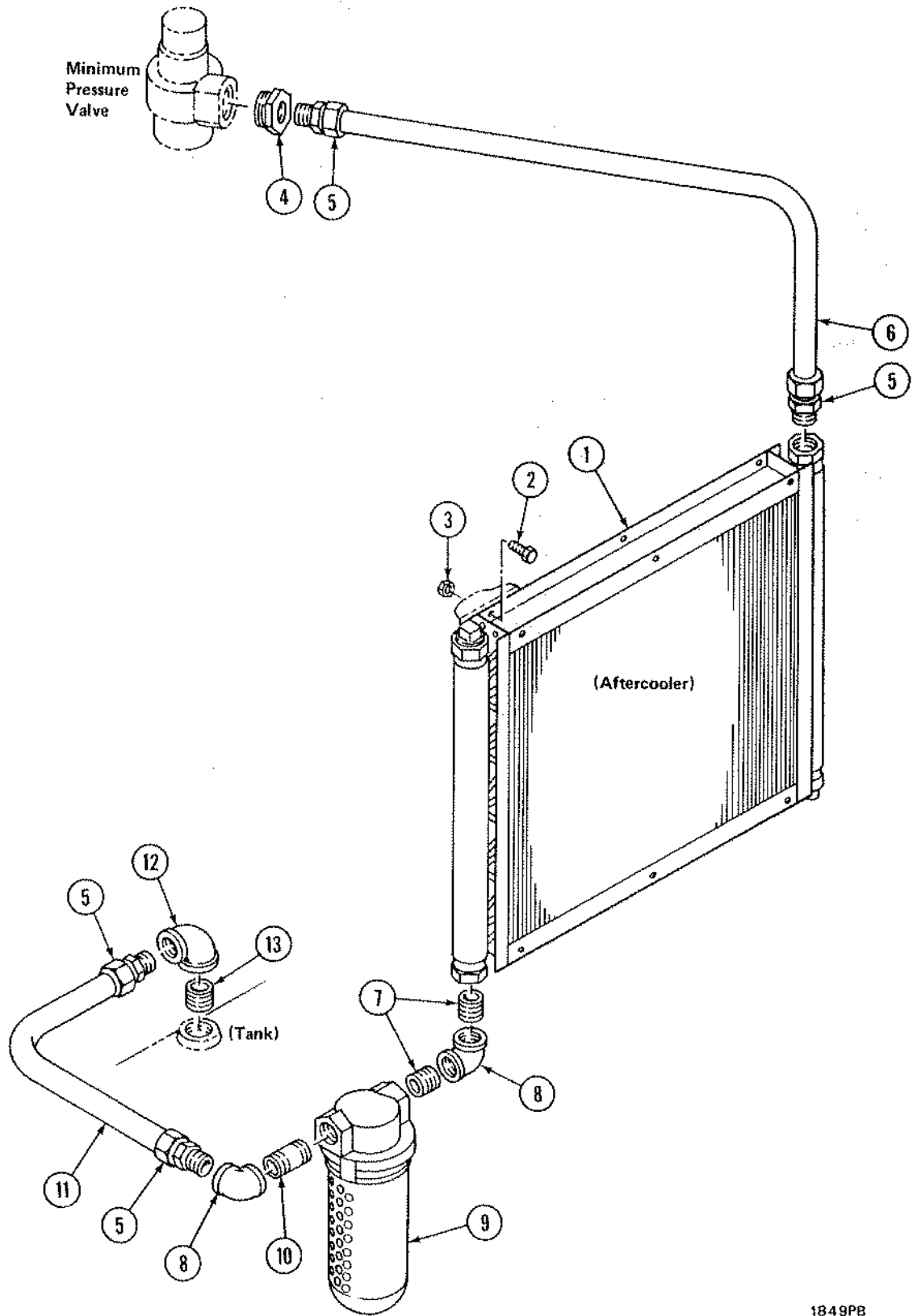
GROUP NO. 8 AIR RECEIVER - BEDPLATE

MODEL

20-25-3088 II

PART NUMBERS

Ref.	Part Description	Qty.	OPTIONAL	OPTIONAL	OPTIONAL
			19GH69-644	15GH69-643	1G118-952 G39-6395
1	RECEIVER, 120 Gallon	1	69-833		
2	RECEIVER, 200 Gallon	1		3AH69-643	
3	BEDPLATE ASSEMBLY	1			118-1184
4	PLUG	1	011-2	011-204	
5	PLUG	2		011-209	
6	PLUG	2	011-207		
7	NIPPLE	1	013-26	■	
8	VALVE, Service	1	H15-1292-2	■	
9	VALVE, Drain	1	H15-689	■	
10	VALVE, Pressure Relief	1	15-1270-1	■	
11	BUSHING	1	013-1082	■	
12	BUSHING	1	013-1069	013-1088	
13	SCREW, Cap	4	02-101	■	■
14	WASHER, Lock	4	05-55	■	■
15	NUT	4	04-108	■	■
16	BELTGUARD	1	156-790	■	■
17	SUPPORT	1	39-6342	■	■
18	SCREW, Special	9	34-1512	■	■



**PARTS LIST
GROUPS AND COMPONENTS**

GROUP NO. 9 AFTERCOOLER

MODEL

20-25-3088 II

PART NUMBERS

Ref.	Part Description	Qty.	STANDARD	STANDARD
			G71-959	1G71-959
			Tank Mount	Bedplate Mount
1	AFTERCOOLER	1	71-595	■
2	SCREW, Special	6	34-1512	■
3	NUT	6	04-102	■
4	BUSHING, Reducer	1	013-1079	■
5	FITTING	2	182-436-5	■
6	TUBE	1	55-2487	■
7	NIPPLE	2	013-26	
8	ELBOW	2	013-406	
9	SEPARATOR, Moisture	1	43-894	■
10	NIPPLE	1	013-153	
5	FITTING	2	182-436-5	
11	TUBE	1	55-2503	
12	ELBOW, Pipe (120 Gallon Tank)	1	013-464	
13	NIPPLE (120 Gallon Tank)	1	013-8C	
12	ELBOW, Pipe (200 Gallon Tank)	1	013-488	
13	NIPPLE (200 Gallon Tank)	1	013-9C	

PARTS LIST GROUPS AND COMPONENTS

GROUP NO. 10 DECALS

MODEL

PART NUMBERS

20-25-30SS II

Ref.	Part Description	Qty.	STANDARD			
			1G62-1105 G62-1019			
	DECAL, Instruction	1	62-1105			
	DECAL, Air Cleaner Element	1	62-1135			
	DECAL, Rotation	1	62-1125			
	DECAL, LeROI Lion	1	62-1151			
	DECAL, Caution	1	62-839			
	DECAL, Low Oil Level	1	62-1108			
	DECAL, Oil Filter	1	62-1109			
	DECAL, Oil Filter	1	62-1110			
	DECAL, Corporate Mark	1	62-1150			
	DECAL, "High Voltage"	1	62-1019			
	DECAL, "Disconnect Power"	1	62-598			
	DECAL, Grounding Instructions	1	62-742			
	DECAL, Auto Start "Caution"	AR	H62-403			
	DECAL, 200 Volt Wiring	1	H62-628			
	DECAL, 230 Volt Wiring	1	H62-628-1			
	DECAL, 460 Volt Wiring	1	H62-628-2			
	DECAL, 575 Volt Wiring	1	H62-628-3			
	DECAL, 20SST	1	62-1042			
	DECAL, 25SST	1	62-1043			
	DECAL, 30SST	1	62-1044			
	DECAL, Compressor Speed	1	62-1118			
	DECAL, Wiring Schematic	1	62-1096			
	DECAL, 20SSB	1	62-1123			
	DECAL, 25SSB	1	62-1123-1			
	DECAL, 30SB	1	62-1123-2			
	DECAL, Control Legend Dual Control	1	62-1134			