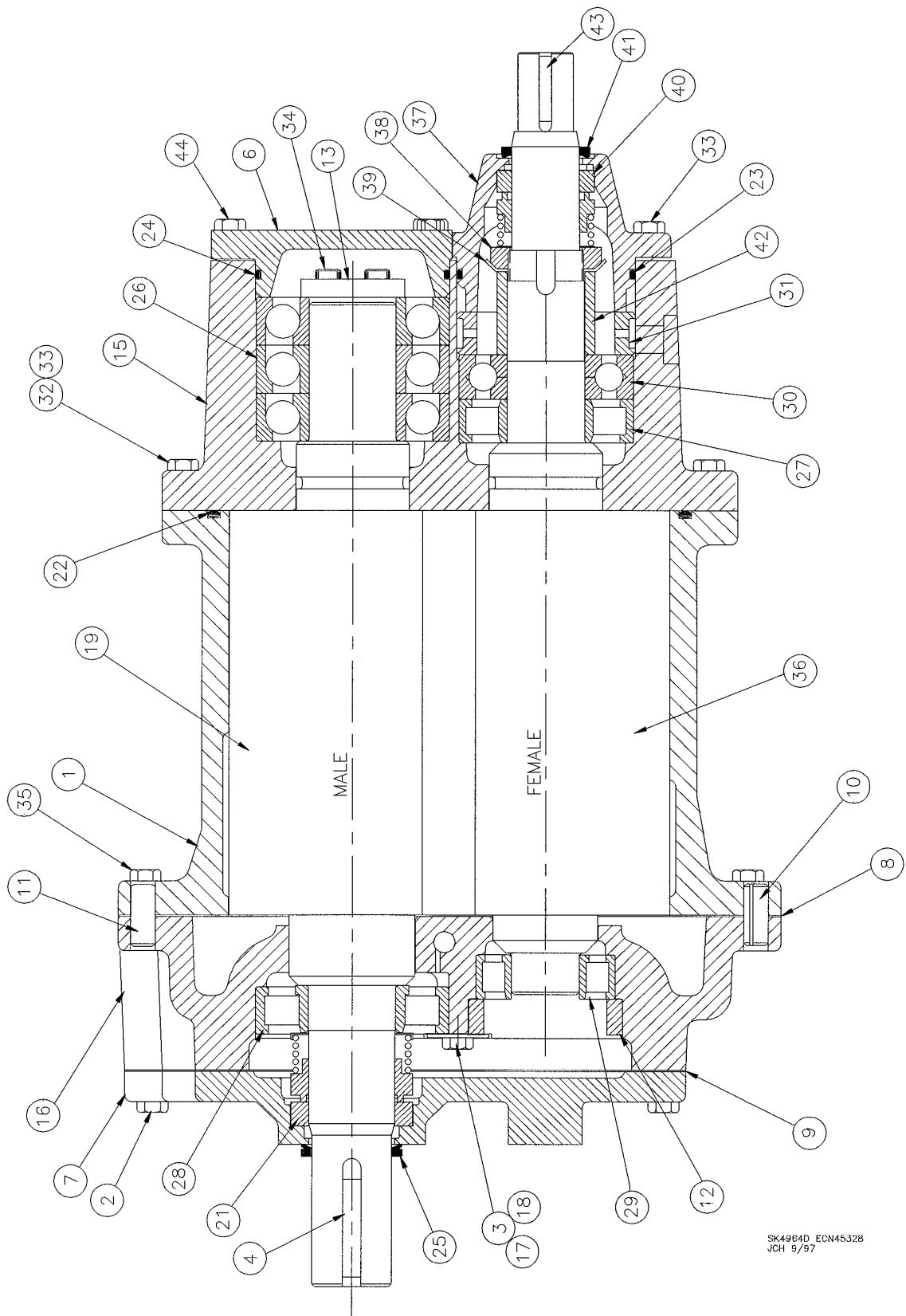


INDEX PARTS LIST

JANUARY 2001

4416X, 4417X, 4418x, 4433X, 4434X

GROUP NUMBER	GROUP NAME	GROUP NUMBER	GROUP NAME
1	AIREND ASSEMBLY		
1A	AIREND PLUMBING		
2	AIR RECEIVER/OIL RESERVOIR - OIL PIPING/OIL FILTER		
3	AIR CLEANER - INTAKE VALVE		
4	COOLER GROUP		
5	SS CONTROL PIPING		
5A	CUB CONTROL PIPING		
6	BED PLATE - DRIVE - ELECTRIC MOTOR - BELT GUARD		
7	STARTER ENCLOSURE		
8	HOUSING ASSEMBLY		
9	DECALS AND LABELS		
10	MICROCONTROLLER ASSEMBLY		
10A	AUTO/DUAL CONTROL		
10B	CUB INSTRUMENT CONTROL		
			ECN 47328



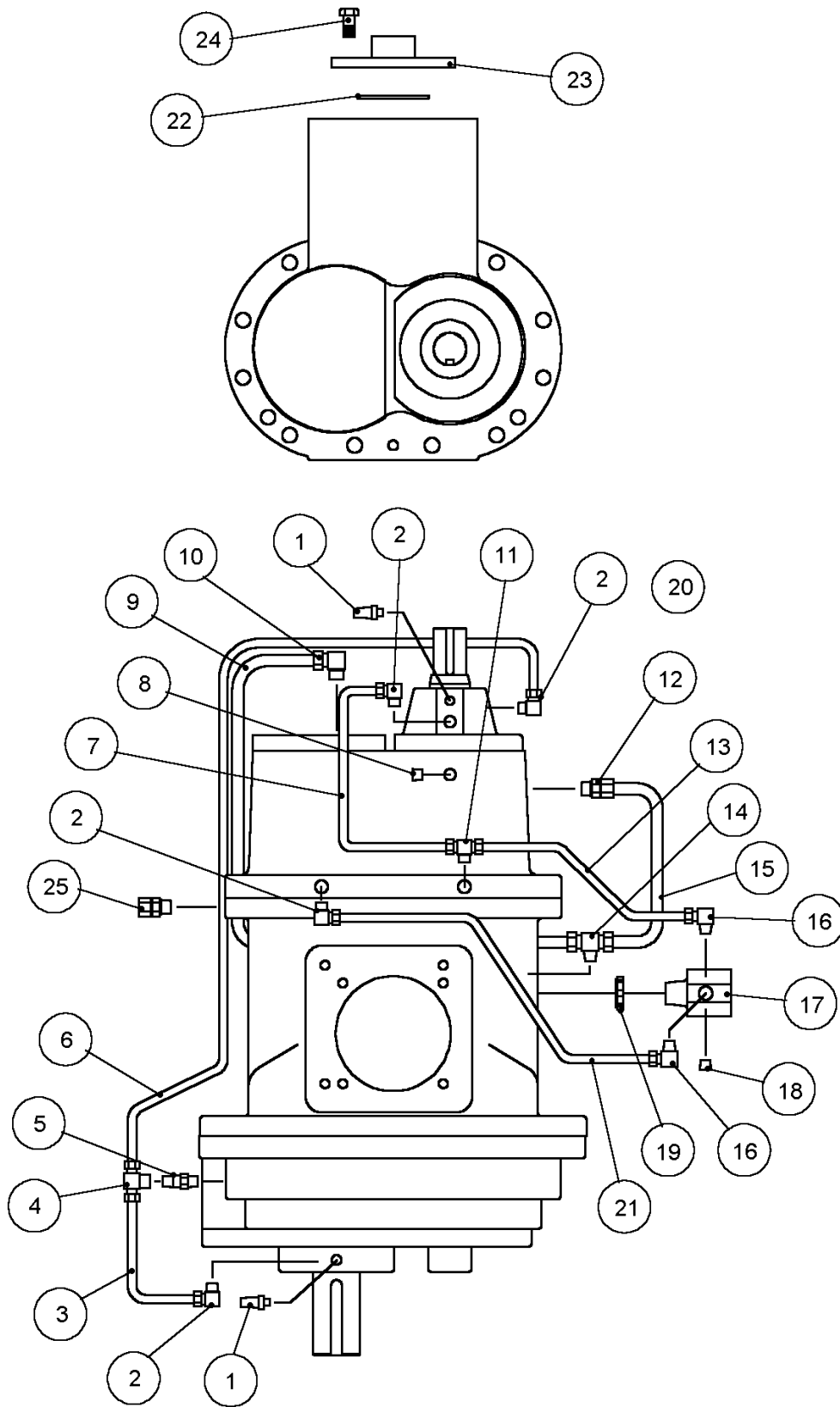
SK4964D EGN4532B
 JCH 9/97

PARTS LIST GROUPS AND COMPONENTS

MODEL
CL30X, 40-50SS,CUB

PART NUMBERS

GROUP NO. 1 AIR END			STANDARD		
REF	PART DESCRIPTION	QTY	1A219-234		
1	CYLINDER	1	1-826-17		
2	CAPSCREW	10	02-37		
3	WASHER	2	06-5		
4	KEY	1	09-143		
6	COVER, DISCHARGE	1	14-1841-2		
7	RETAINER, SEAL	1	14-1764-4		
8	GASKET	1	16-2094		
9	GASKET	1	16-2095		
10	PIN, ROLL	3	17-589-52		
11	PIN, DOWELL	3	17-647		
12	SPACER	1	22-1185		
13	RETAINER, BEARING	1	31-1015		
15	HOUSING, DISCHARGE BEARING	1	31-1013-3		
16	HOUSING, INLET BEARING	1	31-960-1		
17	CAPSCREW	2	34-841-8		
18	WIRE, LOCKING	1	61-5		
19	ROTOR, MALE	1	101-246		
21	SEAL, SHAFT	1	125-693-2		
22	O-RING	1	125-955		
23	O-RING	1	125-955-27		
24	O-RING	1	125-955-16		
25	SEAL, SHAFT	1	125-950		
26	BEARING, ANGULAR CONTACT	3	181-438		
27	BEARING, CYL. ROLLER	1	181-404		
28	BEARING, CYL. ROLLER	1	181-437		
29	BEARING, CYL. ROLLER	1	181-578		
30	BEARING, 4-POINT	1	181-627		
31	SPACER	1	22-1430		
32	CAPSCREW	8	02-890		
33	CAPSCREW	2	02-860		
34	CAPSCREW	5	34-1364-31		
35	CAPSCREW	12	02-38		
36	ROTOR, FEMALE WITH FAN	1	101-247		
37	RETAINER, SEAL	1	31-950-5		
38	NUT, SHAFT	1	53-789		
39	WASHER, LOCK	1	20-902		
40	SEAL, SHAFT	1	125-940		
41	SEAL, SHAFT	1	125-950-1		
42	SPACER	1	22-1431		
43	KEY	1	09-117		



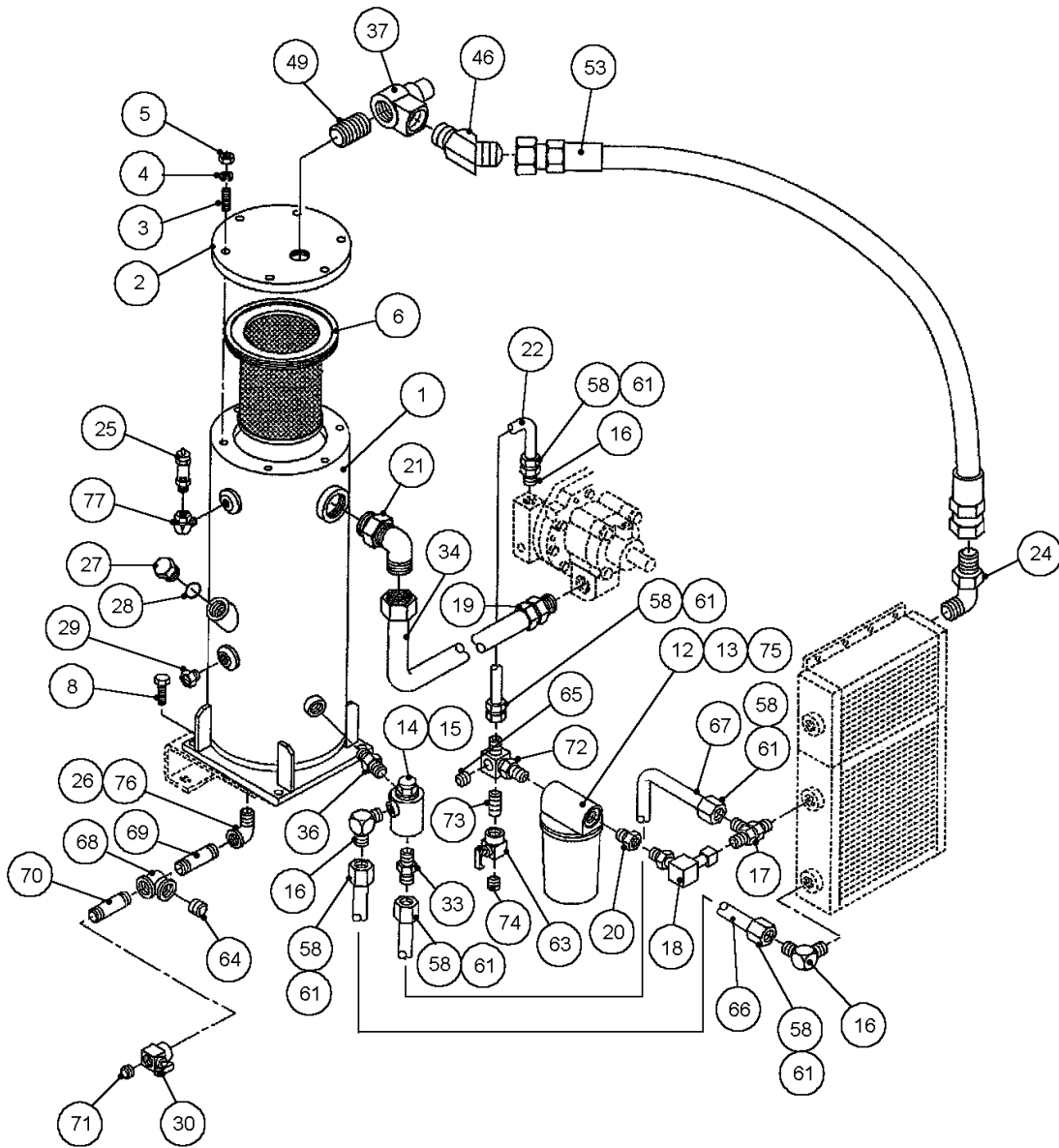
TI00113 ECN 46153

PARTS LIST GROUPS AND COMPONENTS

MODEL
CL30X, 40-50SS,CUB

PART NUMBERS

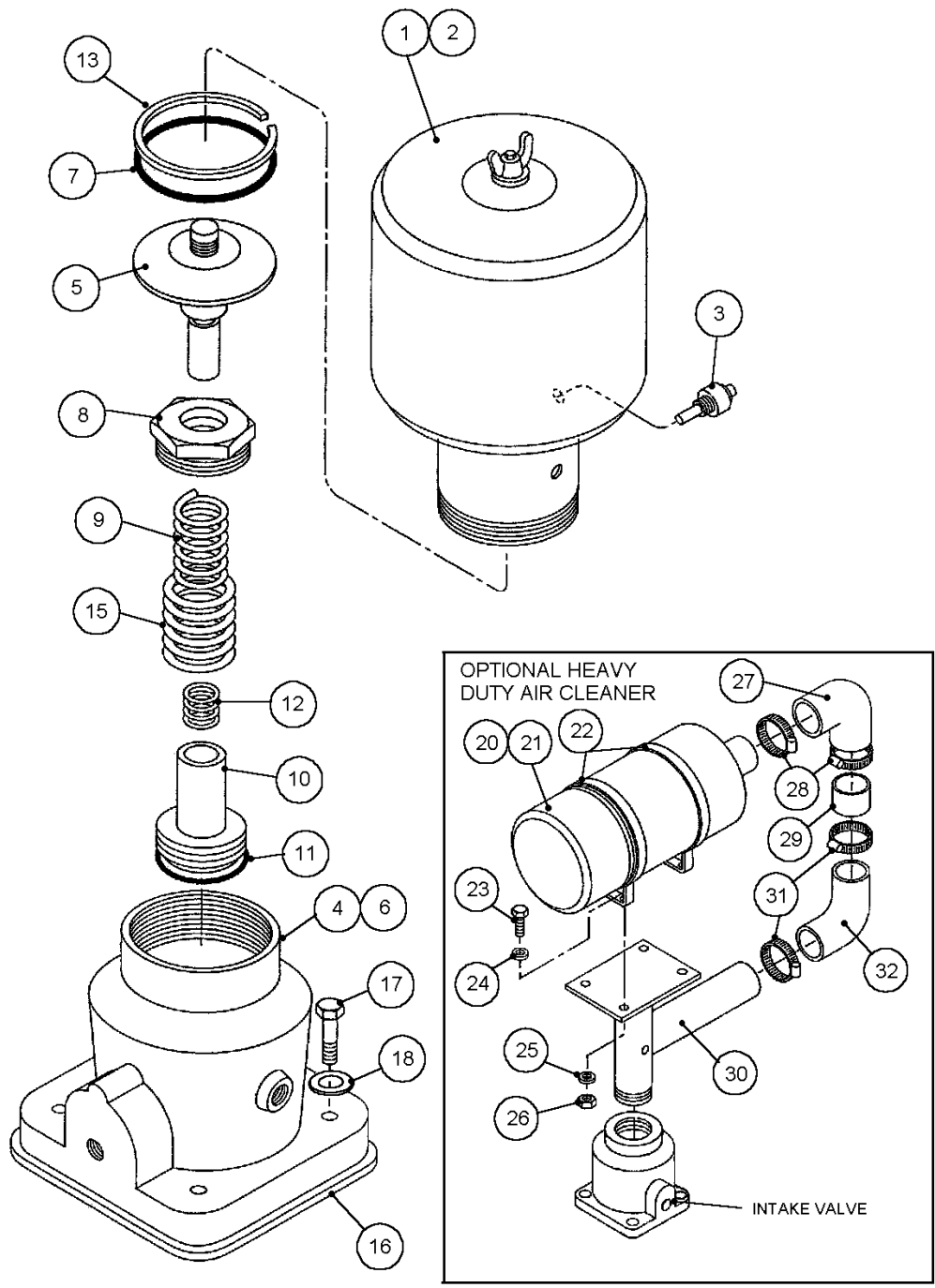
GROUP NO. 1A AIR END PLUMBING			STANDARD		
REF	PART DESCRIPTION	QTY	G33-1306		
1	BREATHER	2	49-94		
2	TUBE FITTING	4	182-435-24		
3	TUBING	1	55-2620-4		
4	TUBE FITTING TEE	1	182-900		
5	CHECK VALVE	1	15-1703		
6	TUBING	1	55-2620-1		
7	TUBING	1	55-2620-2		
8	PIPING PLUG	1	011-101		
9	TUBING	1	55-2621-2		
10	TUBE FITTING 90	1	182-435-21		
11	TUBE FITTING TEE	1	182-1050		
12	TUBE FITTING STR	1	182-436-21		
13	TUBING	1	55-2620-3		
14	TUBE FITTING TEE	1	182-979		
15	TUBING	1	55-2621-1		
16	TUBE FITTING 90	2	182-435-11		
17	OIL INJECTION ORIFICE	1	38-1304-15		
18	PIPE PLUG	1	011-102		
19	NPT SEAL	1	125-961		
21	TUBING	1	55-2620-5		
22	O-RING	1	125-955-21		
23	REAR SUPPORT	1	A39-7348		
24	CAPSCREW	4	02-887		



T100116 ECN 46153

PARTS LIST GROUPS AND COMPONENTS

MODEL Q185 DJE			PART NUMBERS		
GROUP NO. 2 AIR RECEIVER/OIL RESERVOIR - OIL PIPING/OIL FILTER			STANDARD		
REF	PART DESCRIPTION	QTY	G33-1293 (CUB)	G331293-1 (SS)	
			G69-919		
1	AIR RECEIVER-OIL RESERVOIR	1	A69-919		
2	COVER	1	14-1949		
3	STUD	8	105-585		
4	WASHER, SPECIAL	8	20-917		
5	NUT	8	53-788		
6	ELEMENT	1	43-1036		
8	SCREW, 3/8 - 16 ROLOK	4	34-1512-1		
12	HEAD, OIL FILTER	1	43-1062		
13	ELEMENT, FILTER	1	43-1041		
14	BODY, BYPASS VALVE	1	116-218-4		
15	VALVE, THERMAL BYPASS 160D	1	116-441		
16	FITTING ADAPT.	2	182-1068		
17	FITTING ADAPT.	1	182-1059		
18	FITTING ADAPT.	1	182-1060		
19	FITTING ADAPT.	1	182-511-4		
20	FITTING ADAPT. 90D	1	182-1061		
21	FITTING ADAPT.	2	182-1060-4		
22	TUBE 3/4" OIL INJECTION	1	55-2617		
24	FITTING 90 ADAPTOR	1	182-434-6		
25	VALVE, PRESSURE RELIEF	1	15-1270-6		
26	ELBOW, PIPE	1	013-504-3		
27	PLUG, FILLER	1	182-750-14		
28	SEAL, PLUG	1	125-789-23		
29	SIGHT GLASS	1	60-629		
30	VALVE DRAIN	1	15-1292		
33	FITTING ADAPT.	1	182-511		
34	DISCHARGE HOSE	1	A73-1071		
36	FITTING UNION	1	182-1058		
37	VALVE, MINIMUM PRESSURE SERVICE KIT	1	15-1953 15-1953-1		
46	FITTING 1 1/4 NPT X JIC 11	1	182-433-2		
49	NIPPLE, PIPE	1	013-7-3		
53	HOSE ASSEMBLY	1	A73-1059		
58	FERRULE 3/4"	4	182-1056-3		
61	NUT VERSAFLARE 3/4"	4	182-1057-3		
63	VALVE, BALL 1/4"	1	15-338		
64	PLUG, 1/2" MAGNETIC	1	19-370		
65	DETECTOR, METAL (VISUAL OPT.)	1	76-1307		
	PLUG 7/16-20	1	182-750-4		
	(ELECTRONIC OPT.)	1	76-1299		
	PLUG 3/4-16	1	182-750-7		
66	TUBE 3/4"	1	55-2613		
67	TUBE 3/4"	1	55-2614		
68	TEE 1/2" NPT	1	013-604		
69	PIPE NIPPLE	1	013-114		
70	NIPPLE CLOSE	1	013-4		
71	PLUG, 1/2"	1	011-104		
72	ADAPT. SAE 16 X JIC 12 (CUB)	1	182-1072-1		
72	ADAPT. SAE 16 X JIC 12 (SS)	1	182-1063-1		
73	HEX NIPPLE 1/4 NPT	1	182-906		
74	PLUG, 1/4"	1	011-102-3		



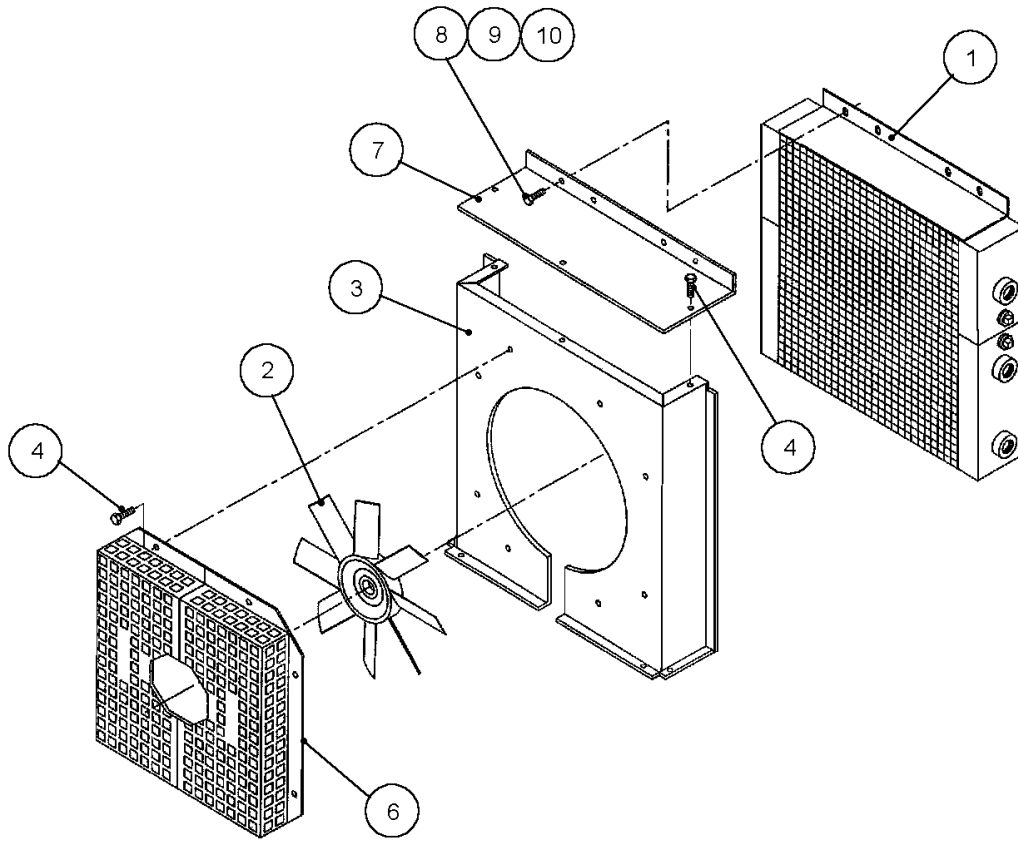
TI00115 ECN 46153

PARTS LIST GROUPS AND COMPONENTS

**MODEL
CL30X, 40-50SS,CUB**

PART NUMBERS

GROUP NO. 3 AIR CLEANER - INTAKE VALVE			STANDARD		
REF	PART DESCRIPTION	QTY	9G116-427		
			43-1073		
1	AIR FILTER	1	43-1073 Inc. A		
2	ELEMENT	1	43-878-1--A		
3	RESTRICTION INDICATOR (CUB)	1	60-345		
4	VALVE, ASSEMBLY, INTAKE	1	116-427 Inc. B-C		
5	VALVE	1	220-260--B		
6	BODY	1	220-260-1		
7	SEAL, SPECIAL	1	220-260-2		
8	CAP	1	220-260-3		
9	SPRING, (INNER)	1	220-260-4		
10	PISTON	1	220-260-5		
11	SEAL, O-RING	1	220-260-6		
12	SPRING	1	220-260-7		
13	RING, RETAINING	1	220-260-8		
14	SPACER	1	220-260-9		
15	SPRING (OUTER)	1	220-260-10--C		
16	GASKET	1	16-1851		
17	SCREW, CAP	4	02-37-1		
18	PIPE NIPPLE (CUB)	1	182-906-1		
	AIR CLEANER GROUP (HEAVY DUTY OPTION)		G39-7481		
20	AIR CELANER	1	43-437 Inc. D		
21	ELEMENT	1	220-96--D		
22	CLAMP	2	83-441		
23	SCREW CAP	4	02-20		
24	WASHER, FLAT	4	06-3		
25	WASHER, LOCK	4	05-50		
26	NUT	4	04-102		
27	ELBOW, RUBBER	1	73-1064		
28	CLAMP, HOSE	1	83-621-7		
29	CONNECTION AIR FILTER	1	55-2639		
30	SUPPORT, HD AIR FILTER	1	A39-7481		
31	CLAMP, HOSE	3	83-621-5		
32	ELBOW, RUBBER	1	73-1065		



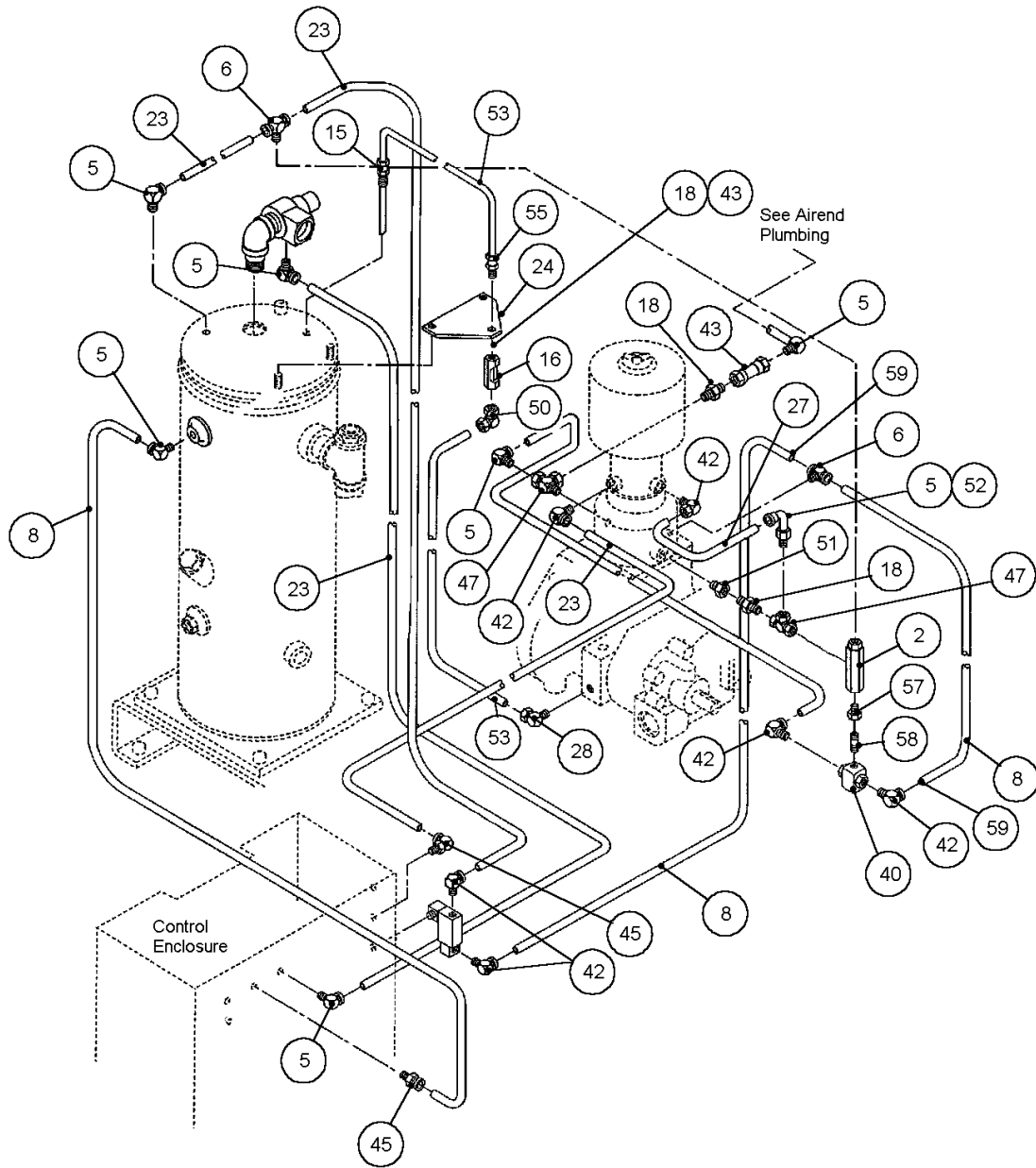
TI00114 ECN 46153

PARTS LIST GROUPS AND COMPONENTS

MODEL
CL30X, 40-50SS,CUB

PART NUMBERS

GROUP NO. 4 COOLER GROUP			STANDARD		
REF	PART DESCRIPTION	QTY	G71-1088		
1	OIL COOLER/AFTERCOOLER	1	71-1088		
2	FAN	1	42-379		
3	SHROUD	1	68-2498-1		
4	SCREW, CAP	18	34-1512-4		
6	GUARD	2	68-2499-1		
7	COVER, SHROUD	1	68-2522-1		



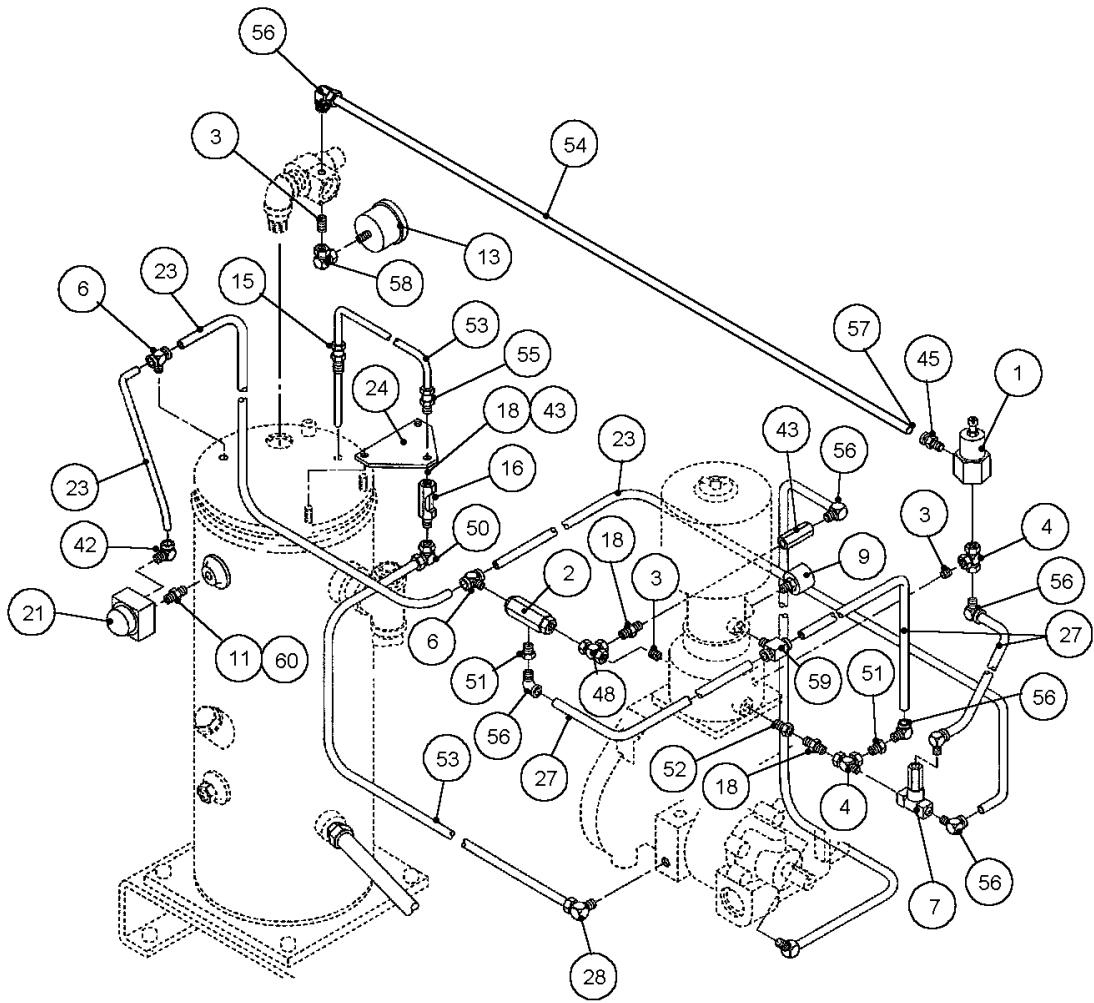
TI00119 ECN 46153

PARTS LIST GROUPS AND COMPONENTS

MODEL
CL30X, 40-50SS,CUB

PART NUMBERS

GROUP NO. 5 CONTROL PIPING			STANDARD		
REF	PART DESCRIPTION	QTY	G33-946		
2	VALVE, BLOW DOWN	1	15-1717		
3	HEX NIPPLE	1	182-906		
5	FITTING 1/4 T X 1/4 90	7	182-1064-1		
6	FITTING 1/4 T TEE	2	182-1066		
8	TUBE, 1/4 BLUE	5	55-2615-2		
15	FITTING, COMP 1/4T X 1/4 NPT	1	H182-382-1		
16	GAGE, SIGHT WITH ORIFICE	1	60-628		
18	VALVE, CHECK	2	15-1703		
23	TUBE, 1/4" RED	5	55-2615-1		
24	BRACKET	1	39-7958		
27	TUBE, 1/4" BLACK	3	55-2615		
28	FITTING	1	182-435-12		
40	VALVE, SHUTTLE	1	15-1179		
42	FTG. 1/4T X 1/8 NPT X 90D	4	182-1064		
43	COUPLING HEX 1/4 BRASS	1	182-1073		
45	FTG 1/4T X 1/4 NPT X 90D	2	182-1065-1		
47	FTG. TEE 1/4 BRASS	1	182-1067		
50	FITTING 1/4T X 1/4 FNPT 90D	1	182-901-1		
51	ORIFICE .052	1	54-559		
52	ORIFICE .078	1	54-560		
53	TUBING BUNDYWELD 1/4"	4	K570-1731		
54	TUBE 1/4" NYLON BLU	3	55-2615-2		
55	FTG. 1/4T X 1/4 NPT	1	182-436-12		
56	TUBE FITTING 1/4T X 1/4 NPT	2	182-383		
57	1/4X 1/8 REDUCER BUSHING	1	013-1061-3		
58	1/8 CLOSE NIPPLE	1	013-1-3		



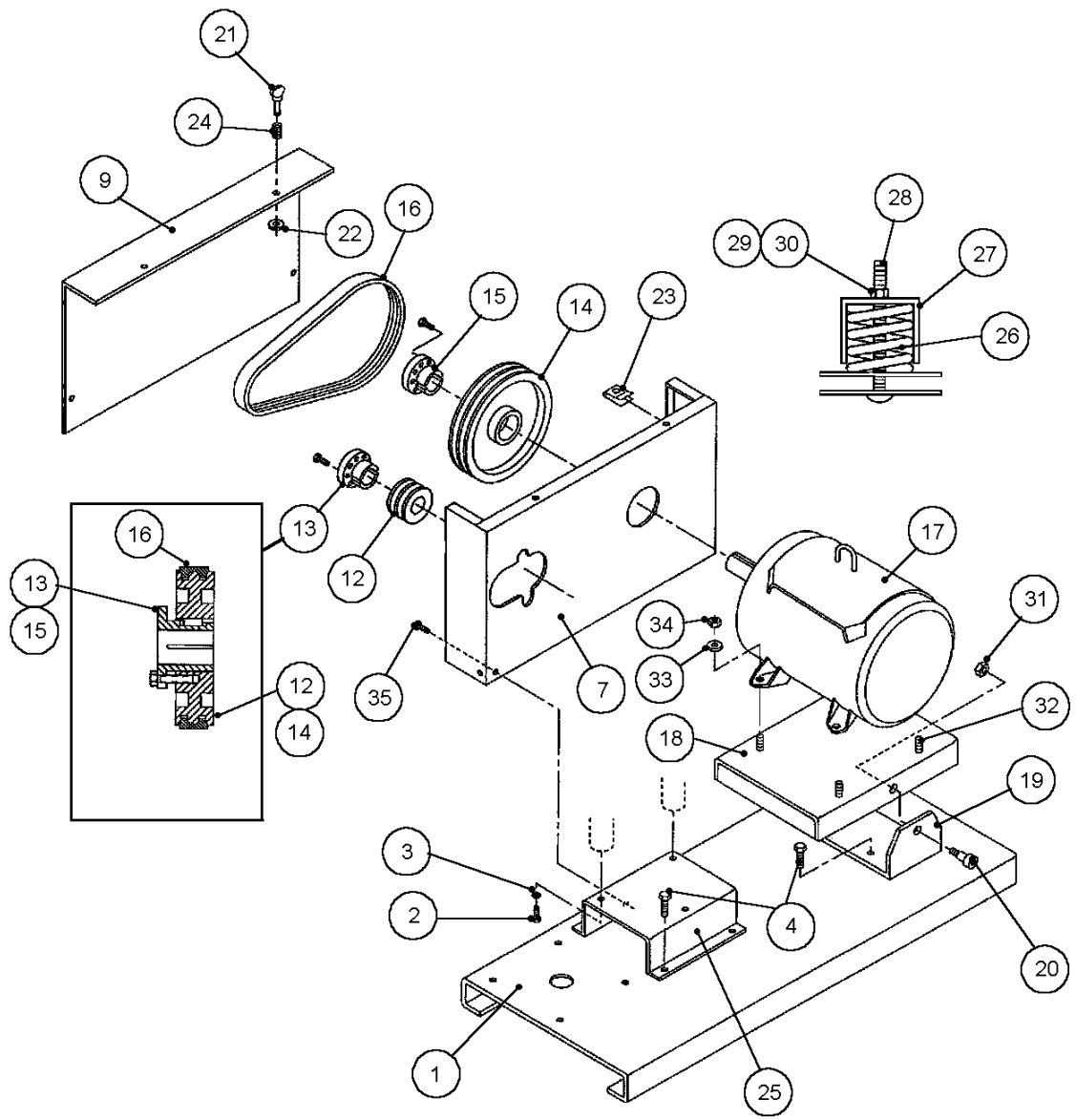
T100118 ECN 46153

PARTS LIST GROUPS AND COMPONENTS

MODEL
CL30X, 40-50SS,CUB

PART NUMBERS

GROUP NO. 5A CONTROL PIPING			STANDARD		
REF	PART DESCRIPTION	QTY	G33-1291		
1	VALVE, CONTROL PRESSURE REGULATOR REBUILD KIT	1	15-1580-3 Inc. A 220-363--A		
2	VALVE, BLOW DOWN	1	15-1717		
3	HEX NIPPLE	1	182-906		
4	FITTING	1	182-849		
5	FITTING 1/4T X 1/4 90	7	182-1064-1		
6	FITTING 1/4T TEE	2	182-1066		
7	VALVE, RETURN AIR BLEED	1	15-1666		
9	INDICATOR RESTRICTION	1	60-345		
11	FITTING	1	182-725		
13	GAGE, PRESSURE	1	60-559		
15	FITTING, COMP 1/4T X 1/4 NPT	1	H182-382-1		
16	GAGE, SIGHT WITH ORIFICE	1	60-628		
18	VALVE, CHECK	2	15-1703		
21	PRESSURE INDICATOR	1	60-471		
23	TUBE, 1/4" RED	5	55-2615-1		
24	BRACKET	1	39-7958		
27	TUBE, 1/4" BLACK	3	55-2615		
28	FITTING	1	182-435-12		
42	FTG. 1/4T X 1/8 NPT X 90D	1	182-1064		
43	COUPLING HEX 1/4 BRASS	1	182-1073		
45	FTG 1/4T X 1/4 NPT X 90D	2	182-1065-1		
48	TEE BRASS 1/4" NPT	3	182-907		
49	PRESSURE SWITCH	1	76-1263		
50	FITTING 1/4T X 1/4 FNPT 90D	1	182-901-1		
51	ORIFICE .052	2	54-559		
52	ORIFICE .078	1	54-560		
53	TUBING BUNDYWELD 1/4"	4	K5701731		
54	TUBE 1/4" NYLON BLU	3	55-2615-2		
55	FTG. 1/4T X 1/4 NPT	1	182-436-12		
56	TUBE FITTING 1/4T X 1/4 NPT	2	182-383		



TI00117 ECN 46153

PARTS LIST GROUPS AND COMPONENTS

MODEL Q185 DJE			PART NUMBERS		
GROUP NO. 6 BED PLATE - DRIVE-ELECTRIC MOTORS - BELT GUARD			STANDARD		
REF	PART DESCRIPTION	QTY	CL30X	CL40	CL50
1	BASE, WELDMENT UNITS WITH MOTOR	1	A222-5534	A222-5534	A222-5534
2	SCREW, CAP	3	02-890	02-890	02-890
3	WASHER, LOCK	3	05-52	05-52	05-52
4	SCREW, CAP 3/8-16 ROLOK	12	34-1512-1	34-1512-1	34-1512-1
7	GUARD, BLET	1	68-2500-1	68-2500-1	68-2500-1
9	COVER, GUARD	1	68-2501-1	68-2501-1	68-2501-1
DRIVE FOR 100 PSI OPERATION (60HZ)					
12	PULLEY, COMPRESSOR	1	36-1292-12	36-1299-16	36-1299-16
13	BUSHING, PULLEY	1	132-251-1	132-251-1	131-251-1
14	PULLEY, MOTOR	1	36-1292-19	36-1299-5	36-1299-9
15	BUSHING, PULLEY	1	132-251-2	132-251-3	132-251-3
16	BELT	3	41-642-17	41-642-20	41-629-23
DRIVE FOR 110 PSI OPERATION (60HZ)					
12	PULLEY, COMPRESSOR	1	36-1292-13	36-1299-17	36-1299-9
13	BUSHING, PULLEY	1	132-251-1	132-251-3	131-251-3
14	PULLEY, MOTOR	1	36-1292-19	36-1299-5	36-1292-21
15	BUSHING, PULLEY	1	132-251-2	132-251-3	132-251-2
16	BELT	3	41-642-17	41-642-20	41-629-23
DRIVE FOR 125 PSI OPERATION (60HZ)					
12	PULLEY, COMPRESSOR	1	36-1292-14	36-1299-2	36-1299-2
13	BUSHING, PULLEY	1	132-251-1	132-251-1	132-251-1
14	PULLEY, MOTOR	1	36-1292-19	36-1299-5	36-1299-9
15	BUSHING, PULLEY	1	132-251-2	132-251-3	132-251-3
16	BELT	3	41-642-17	41-642-20	41-642-25
DRIVE FOR 150 PSI OPERATION (60HZ)					
12	PULLEY, COMPRESSOR	1	36-1292-16	36-1299-3	36-1299-20
13	BUSHING, PULLEY	1	132-251-2	132-251-1	132-251-1
14	PULLEY, MOTOR	1	36-1292-19	36-1299-5	36-1299-9
15	BUSHING, PULLEY	1	132-251-2	132-251-3	132-251-3
16	BELT	3	41-642-19	41-642-21	41-642-25
DRIVE FOR 100 PSI OPERATION (50HZ)					
12	PULLEY, COMPRESSOR	1	36-1299-12	36-1299-11	36-1299-12
13	BUSHING, PULLEY	1	132-251-1	132-251-1	131-251-1
14	PULLEY, MOTOR	1	36-1299-8	36-1299-5	36-1299-9
15	BUSHING, PULLEY	1	132-251-2	132-251-3	132-251-3
16	BELT	3	41-642-15	41-642-20	41-629-23
DRIVE FOR 110 PSI OPERATION (50HZ)					
12	PULLEY, COMPRESSOR	1	36-1299-4	36-1299-12	36-1299-4
13	BUSHING, PULLEY	1	132-251-1	132-251-1	131-251-1
14	PULLEY, MOTOR	1	36-1299-8	36-1299-5	36-1299-9
15	BUSHING, PULLEY	1	132-251-2	132-251-3	132-251-3
16	BELT	3	41-642-15	41-642-20	41-629-23
DRIVE FOR 125 PSI OPERATION (50HZ)					
12	PULLEY, COMPRESSOR	1	36-1292-14	36-1299-14	36-1299-13
13	BUSHING, PULLEY	1	132-251-1	132-251-1	132-251-1

14	PULLEY, MOTOR	1	36-1299-8	36-1299-5	36-1299-9
15	BUSHING, PULLEY	1	132-251-2	132-251-3	132-251-3

PARTS LIST GROUPS AND COMPONENTS

MODEL CL30X, 40-50SS,CUB			PART NUMBERS		
GROUP NO. 6 BED PLATE - DRIVE ELECTRIC MOTOR - BELT GUARD CONTINUED			STANDARD		
REF	PART DESCRIPTION	QTY	CL30X	CL40	CL50
16	BELT	3	41-642-15	41-642-20	41-642-23
	DRIVE FOR 150 PSI OPERATION (50HZ)				
12	PULLEY, COMPRESSOR	1	36-1299-17	36-1299-18	36-1299-13
13	BUSHING, PULLEY	1	132-251-1	132-251-1	132-251-1
14	PULLEY, MOTOR	1	36-1299-8	36-1299-5	36-1299-9
15	BUSHING, PULLEY	1	132-251-2	132-251-3	132-251-3
16	BELT	3	41-642-15	41-642-20	41-642-23
	ELECTRIC MOTOR 200 VOLT				
17	MOTOR, O.D.P. (60HZ)	1	107-1038	107-1038-24	107-1038-30
17	MOTOR, TEFC (60HZ)	1	107-1039	107-1039-24	107-1039-30
	ELECTRIC MOTOR 220/440 VOLT				
17	MOTOR, O.D.P. (50HZ)	1	107-1038-3	107-1038-27	107-1038-33
17	MOTOR, TEFC (50HZ)	1	107-1039-3	107-1039-27	107-1039-33
	ELECTRIC MOTOR 230/460 VOLT				
17	MOTOR, O.D.P. (60HZ)	1	107-1038-1	107-1038-25	107-1038-31
17	MOTOR, TEFC (60HZ)	1	107-1039-1	107-1039-25	107-1039-31
	ELECTRIC MOTOR 380 VOLT				
17	MOTOR, O.D.P. (50HZ)	1	107-1038-4	107-1038-28	107-1038-34
17	MOTOR, TEFC (50HZ)	1	107-1039-4	107-1039-28	107-1039-34
	ELECTRIC MOTOR 575 VOLT				
17	MOTOR, O.D.P. (60HZ)	1	107-1038-2	107-1038-26	107-1038-32
17	MOTOR, TEFC (60HZ)	1	107-1039-2	107-1039-26	107-1039-32
	ELECTRIC MOTOR 415 VOLT				
17	MOTOR, O.D.P. (50HZ)	1	107-1038-5	107-1038-29	107-1038-35
17	MOTOR, TEFC (50HZ)	1	107-1039-5	107-1039-29	107-1039-35
18	BASE, MOTOR	1	39-7935	39-7935	39-7935
19	BASE BRACKET	1	222-5514	222-5514	222-5514
20	SCREW, SHOULDER	2	34-1583	34-1583	34-1583
21	THUMB SCREW	4	34-1584	34-1584	34-1584
22	RETAINING WASHER	4	53-805	53-805	53-805
23	NUT CLIP	4	53-806	53-806	53-806
24	SPRING	4	24-1095	24-1095	24-1095
25	BASE, AIREND MOUNT	1	39-7944	39-7944	39-7944
26	SPRING	1	24-1096-1	24-1096-1	24-1096-1
27	SPRING HOLDER	1	63-471-1	63-471-1	63-471-1
28	BOLT, CARRIAGE	1	02-100	02-100	02-100
29	NUT, HEX	1	04-103-1	04-103-1	04-103-1
30	WASHER, FLAT	1	06-4-1	06-4-1	06-4-1
31	NUT 3/8-16 NYLOK	2	53-766-1	53-766-1	53-766-1
32	CAPSCREW	4	02-71	02-71	02-71
33	WASHER, LOCK	4	05-53	05-53	05-53
34	NUT	4	04-104-1	04-104-1	04-104-1

THIS PAGE INTENTIONALLY LEFT BLANK.

PARTS LIST GROUPS AND COMPONENTS

**MODEL
CL30X, 40-50SS,CUB**

PART NUMBERS

GROUP NO. 7 STARTER ENCLOSURE ASSEMBLY			STANDARD			
REF	PART DESCRIPTION	QTY				
1	ENCLOSURE ASS'Y (CUB 60 HZ)	1		68-3199 Inc. A-B		
1	ENCLOSURE ASS'Y (CUB 50HZ)	1		68-3201 Inc. A-B		
1	ENCLOSURE ASS'Y (SS, AUTO DUAL 60HZ)	1		68-3199-1 Inc. A-B		
1	ENCLOSURE ASS'Y (SS, AUTO DUAL 50HZ)	1		68-3201-1 Inc. A-B		
2	SUB-PANEL, BARE	1		220-365--A		
3	TRANSFORMER (60HZ)	1		220-365-2		
3	TRANSFORMER (50HZ)	1		220-365-2		
4	THERMINAL BLOCK (CUB)	1		220-365-3		
5	THERMINAL BLOCK (SS, AUTO DUAL)	1		220-365-4		
6	GROUND BAR	1		220-365-5		
7	BUTTON, PUSH "STOP" (CUB)	1		220-365-12		
8	BUTTON, PUSH "START" (CUB)	1		220-365-8		
9	TRANSIENT SURP. (SS, AUTO DUAL)	1		220-365-6		
10	LATCH, DOOR	2		220-365-7		
11	NC CONTACT BLOCK "START" (CUB)	1		220-365-9		
12	NO CONTACT BLOCK "STOP" (CUB)	1		220-365-13		
13	NAMEPLATE "START" (CUB)	1		220-365-14		
14	NAMEPLATE "STOP" (CUB)	1		220-365-15		
15	GASKET, HOURMETER (CUB)	1		220-365-11		
16	HOURMETER (CUB)	1		220-365-10		
17	GASKET, DOOR	1		220-365-16		
18	AUX, CONTACT (SOME APPLICATIONS)	1		220-365-17--B		
	208V (60HZ) ,200V (50HZ) ACROSS THE LINE		CL30X	CL40		CL50
22	CONTACTOR	1	76-1325-5	76-1325-5		N/A
23	OVERLOAD RELAY	1	76-1326-3	76-1326-3		N/A
24	HEATER PACK	1	76-1327-14	76-1327-15		N/A
25	FUSE, PRIMARY	2	139-275-3	139-275-3		N/A
26	FUSE, SECONDARY	1	139-244-9	139-244-9		N/A
	230V (60HZ), 220V (50HZ) ACROSS THE LINE					
22	CONTACTOR	1	76-1325-3	76-1325-5		76-1325-5
23	OVERLOAD RELAY	1	76-1326-2	76-1326-3		76-1326-3
24	HEATER PACK	1	76-1327-13	76-1327-14		76-1327-15
25	FUSE, PRIMARY	2	139-275-3	139-275-3		139-275-3
26	FUSE, SECONDARY	1	139-244-9	139-244-9		139-244-9
	380V (50HZ) ACROSS THE LINE					
22	CONTACTOR	1	76-1325-2	76-1325-2		76-1325-3
23	OVERLOAD RELAY	1	76-1326-1	76-1326-1		76-1326-2
24	HEATER PACK	1	76-1327-7	76-1327-8		76-1327-13
25	FUSE, PRIMARY	2	139-275-3	139-275-3		139-275-3
26	FUSE, SECONDARY	1	139-244-9	139-244-9		139-244-9
	460V (60HZ) 440V (50HZ) ACROSS THE LINE					
22	CONTACTOR	1	76-1325-2	76-1325-2		76-1325-2
23	OVERLOAD RELAY	1	76-1326-1	76-1326-1		76-1326-1

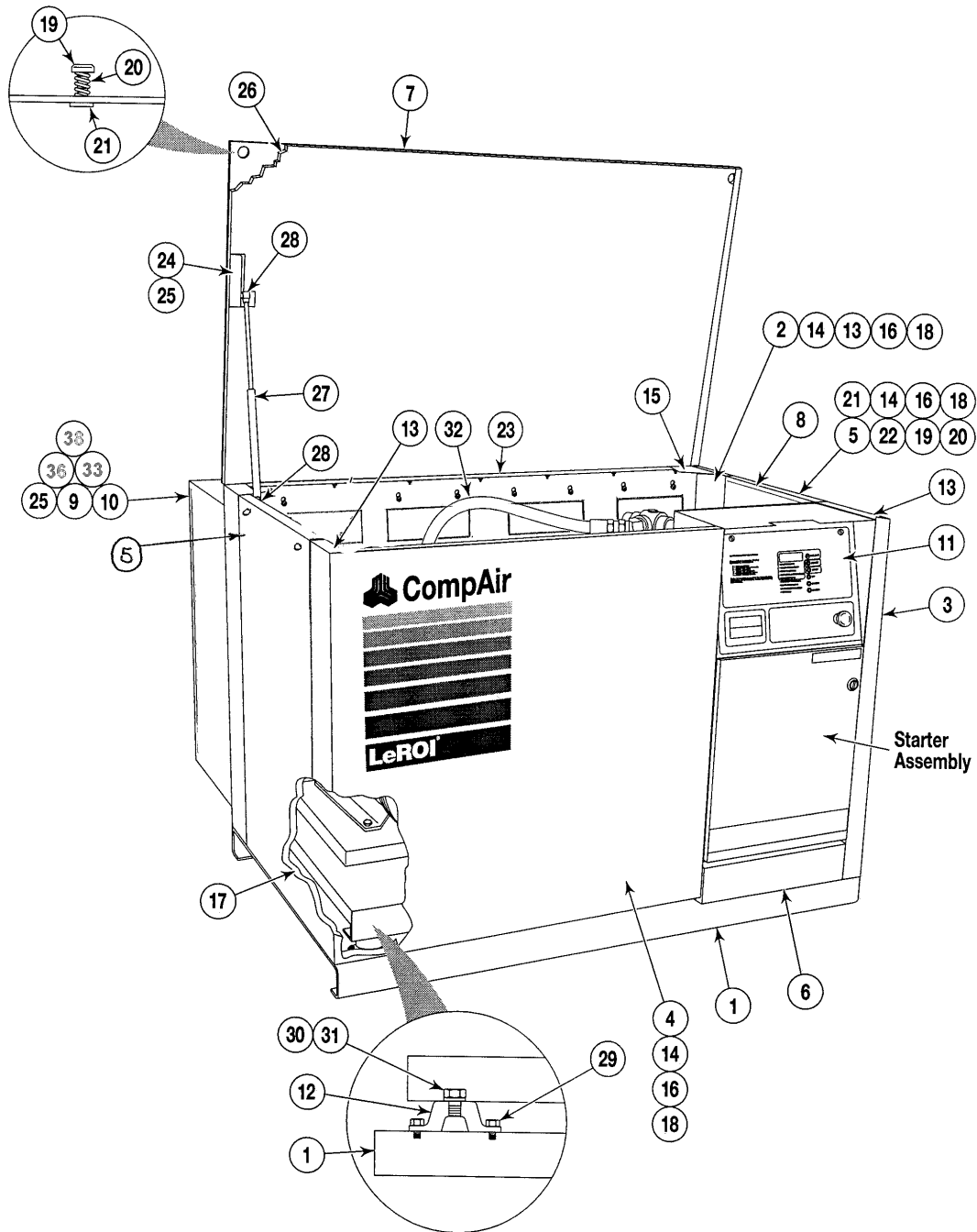
24	HEATER PACK	1	76-1327-6	76-1327-7	76-1327-8
25	FUSE, PRIMARY	2	139-275-3	139-275-3	139-275-3

CompAir LeROI

PARTS LIST GROUPS AND COMPONENTS

MODEL CL30X, 40-50SS,CUB			PART NUMBERS			
GROUP NO.	PART DESCRIPTION	QTY	STANDARD			
			CL30X	CL40	CL50	
GROUP NO. 7 STARTER ENCLOSURE ASS'Y CONT'D						
26	FUSE, SECONDARY	1	139-244-9	139-244-9	139-244-9	
575 (60HZ) ACROSS THE LINE						
22	CONTACTOR	1	76-1325-2	76-1325-2	76-1325-2	
23	OVERLAY RELAY	1	76-1326-1	76-1326-1	76-1326-1	
24	HEATER PACK	1	76-1327-5	76-1327-6	76-1327-7	
25	FUSE, PRIMARY	2	139-275-3	139-275-3	139-275-3	
26	FUSE, SECONDARY	1	139-244-9	139-244-9	139-244-9	
208V (60HZ), 200V (50HZ) ACROSS THE LINE						
22	CONTACTOR	1	76-1325-2	76-1325-3	76-1325-5	
23	OVERLOAD RELAY	1	76-1326-1	76-1326-2	76-1326-3	
24	HEATER PACK	1	76-1327-8	76-1327-13	76-1327-14	
25	FUSE, PRIMARY	2	139-275-3	139-275-3	139-275-3	
26	FUSE, SECONDARY	1	139-244-9	139-244-9	139-244-9	
230V (60HZ), 220V (50HZ) STAR/DELTA						
22	CONTACTOR	1	76-1325-2	76-1325-2	76-1325-3	
23	OVERLOAD RELAY	1	76-1326-1	76-1326-1	76-1326-2	
24	HEATER PACK	1	76-1327-7	76-1327-8	76-1327-14	
25	FUSE, PRIMARY	2	139-275-3	139-275-3	139-275-3	
26	FUSE, SECONDARY	1	139-244-9	139-244-9	139-244-9	
380V (60HZ) STAR/DELTA						
22	CONTACTOR	1	76-1325-1	76-1325-2	76-1325-2	
23	OVERLOAD RELAY	1	76-1326	76-1326-1	76-1326-1	
24	HEATER PACK	1	76-1327-5	76-1327-7	76-1327-7	
25	FUSE, PRIMARY	2	139-275-3	139-275-3	139-275-3	
26	FUSE, SECONDARY	1	139-244-9	139-244-9	139-244-9	
460V (60HZ), 440V (50HZ) STAR/DELTA						
22	CONTACTOR	1	76-1325-1	76-1325-2	76-1325-2	
23	OVERLOAD RELAY	1	76-1326	76-1326-1	76-1326-1	
24	HEATER PACK	1	76-1327-4	76-1327-5	76-1327-7	
25	FUSE, PRIMARY	2	139-275-3	139-275-3	139-275-3	
26	FUSE, SECONDARY	1	139-244-9	139-244-9	139-244-9	
575V (60HZ) STAR/DELTA						
22	CONTACTOR	1	76-1325-1	76-1325-2	76-1325-2	
23	OVERLOAD RELAY	1	76-1326	76-1326-1	76-1326-1	
24	HEATER PACK	1	76-1327-3	76-1327-4	76-1327-5	
25	FUSE, PRIMARY	2	139-275-3	139-275-3	139-275-3	
26	FUSE, SECONDARY	1	139-244-9	139-244-9	139-244-9	
27	CONDUIT	3	55-2447-6	55-2447-6	55-2447-6	
28	CONDUIT ELBOW 90	1	182-1069-6	182-1069-6	182-1069-6	
29	CONDUIT ELBOW 45	1	182-1099-6	182-1099-6	182-1099-6	

THIS PAGE LEFT INTENTIONALLY BLANK.

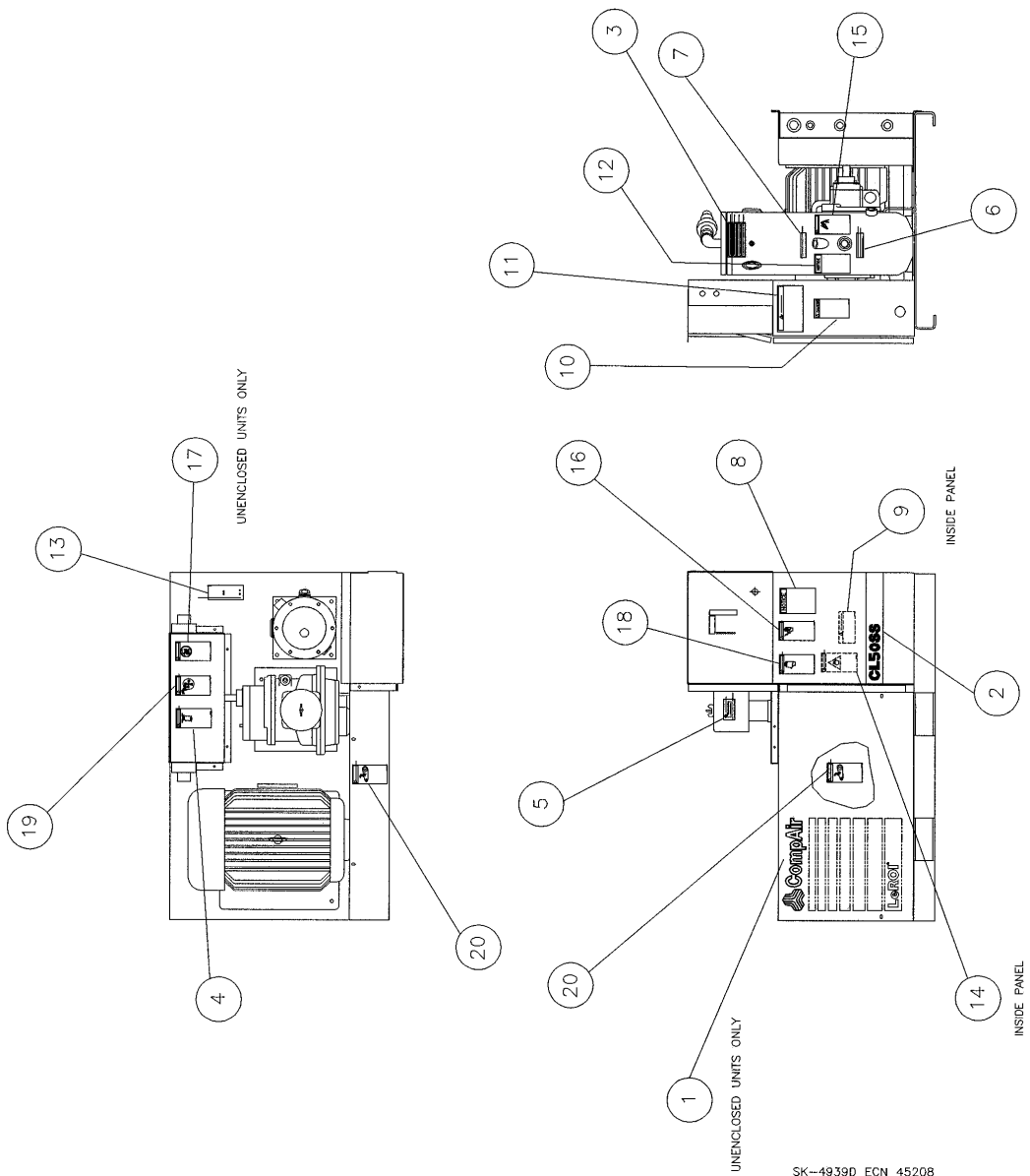


PARTS LIST GROUPS AND COMPONENTS

MODEL
CL30X, 40-50SS,CUB

PART NUMBERS

GROUP NO. 8 HOUSING ASSEMBLY			STANDARD		
REF	PART DESCRIPTION	QTY	1G68-2508	G68-2508	
1	BASE ENCLOSURE	1	A118-1286		
2	BACK PANEL	1	68-2508-1		
3	POST, RIGHT FRONT	1	68-2509-1		
4	PANEL, FRONT	1	68-2504-1		
5	PANEL, SERVICE END	2	68-2510-1		
6	PANEL, BOTTOM FRONT	1	68-2506-1		
7	PANEL, TOP	1	68-2507-1		
8	RAIL, SERVICE END	2	68-2505-1		
9	SOUND BOX	1	68-2519-1		
10	SOUND BOX DIVIDER	1	68-2520-1		
11	COMPAIR TROLLER ASSEMBLY (SS)	1	G76-1296		
11	PANEL, FILLER (CUB)	1	151-512-1		
12	VIBRATION ISOLATOR	8	74-264		
13	NUT CLIP	7	53-806		
14	PIN, LOCATING	9	17-1317		
16	NUT, LOCATING PIN	9	04-101-1		
17	INSULATION, FOAM	13.4	124-234		
18	WASHER, LOCK LOCATOR PIN	9	05-49		
19	SCREW, RETAINER	6	34-1588		
20	SPRING	10	24-1095		
21	RETAINER	10	53-805		
22	INSULATION, FOAM	17.8	124-234		
23	HING, TOP	1	39-7440-1		
24	SUPPORT, GAS STRUT	2	39-7441		
25	RIVET	50	126-31-1		
26	INSULATION, FOAM	18.4	124-234		
27	GAS CYLINDER	2	1-818-4		
28	STUD, CYLINDER	4	105-591		
29	SCREW 1/4 ROLOK	24	34-1512-4		
30	CAPSCREW, 1/2-20	8	02-569		
31	WASHER, LOCK 1/2	8	05-53-1		
32	SHOULDER SCREW	16	34-1592		
33	FILTER, CABINET	1	43-1063		
34	FILTER, HOLDER	1	39-7943-1		
35	THUMB SCREW	2	34-1584		
36	SOUND BOX COVER	1	68-2521-1		
37	INSULATION, FOAM	36	124-234		
38	SOUND BOX BOTTOM	1	68-2529-1		
39	WASHER, LOCK 5/16	4	05-50		
40	NUT, HEX 5/16-18	4	04-102		
41	CAPSCREW, 1/4-20 X 3/4	10	02-4		
42	NUT, HEX 1/4-20	10	04-101		
43	WASHER, LOCK 1/4	10	05-49		
44	RETAINING SCREW	2	34-1588-2		
45	BRACKET MICROCONTROLLER	1	39-75-11		
46	COOLER BRACKET	1	68-2523		



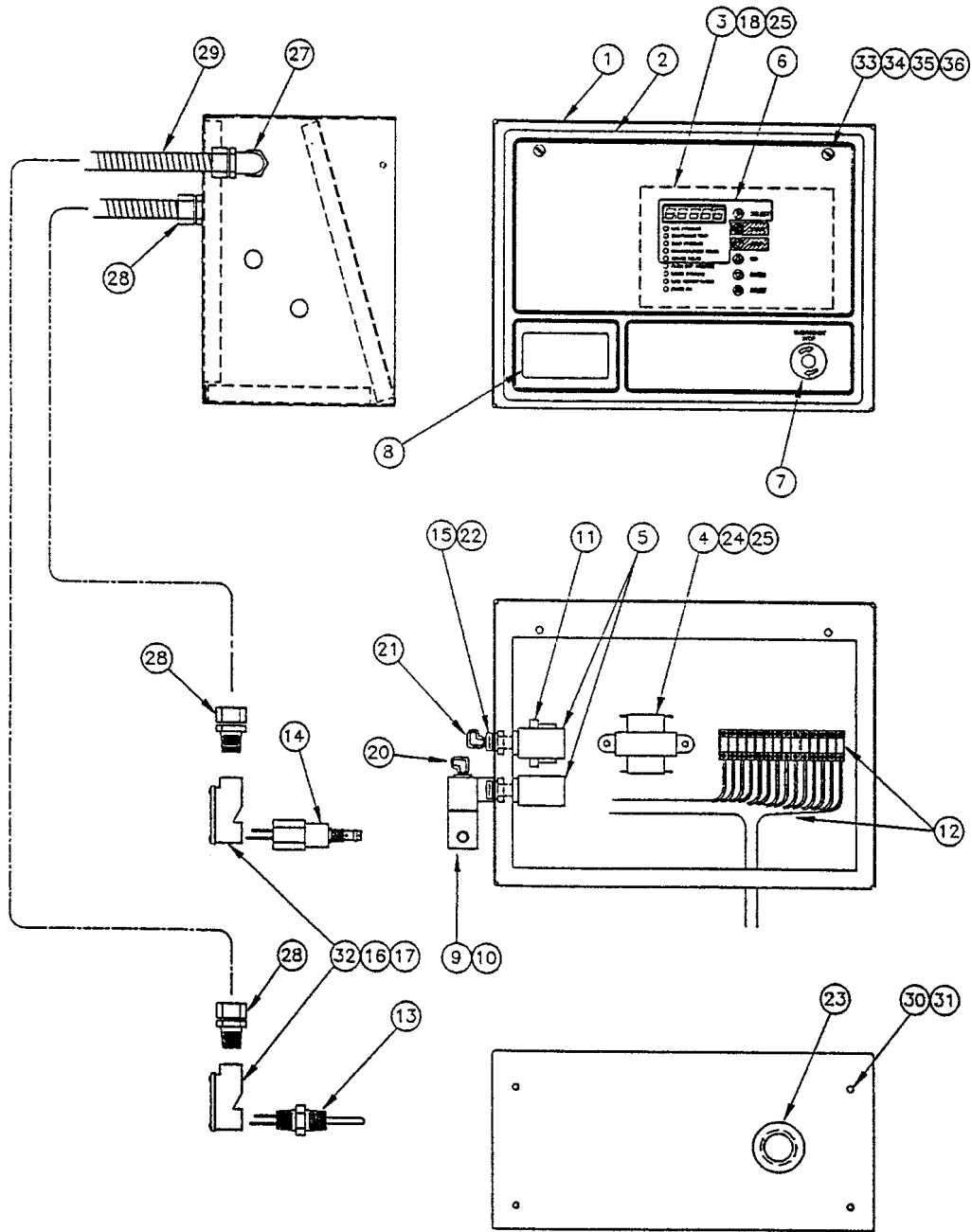
SK-4939D ECN 45208
JCH 7/97

PARTS LIST GROUPS AND COMPONENTS

MODEL
CL30X, 40-50SS,CUB

PART NUMBERS

GROUP NO. 9 DECALS AND LABELS			STANDARD		
REF	PART DESCRIPTION	QTY (CL30\$SX)			
			G62-1351-4		
			G62-1351-5 (CL40SS)		
			G62-1351-6 (CL50SS)		
			G62-1352-4 (CL30CUBX)		
			G62-1352-5 (CL40CUB)		
			G62-1352-6 (CL50CUB)		
1	LEROI BARS (ENCLOSED)	2	62-1359		
1	LEROI BARS (UNENCLOSED)	1	62-1359		
2	CL30SSX	1	62-1360-12		
2	CL40SS	1	62-1360-9		
2	CL50SS	1	62-1360-8		
2	CL30CUBX	1	62-1360-13		
2	CL40CUB	1	62-1360-11		
2	CL50CUB	1	62-1360-10		
3	OPERATING PSI	1	62-1118		
4	REVERSE ROTATION	1	62-1373		
5	AIR FILTER ELEMENT	1	62-1135		
6	DECAL, LOW OIL LEVEL	1	62-1108		
7	DECAL, OIL FILL LEVEL	1	62-1109		
8	DECAL, AUTO RESTART (MICROCONTROLLER ONLY)	1	62-1376		
9	DECAL, GROUNDING INFO	1	62-742		
10	DECAL, DISCONNECT POWER	1	62-1375		
11	DECAL, LEROI PARTS	1	62-1364		
12	DECAL, LUBRICANTS	1	62-1365		
13	DECAL, LUBE TYPE	1	62-1342		
14	DECAL, FUSE WARNING	1	62-1368		
15	DECAL, HOT OIL	1	62-1370		
16	DECAL, HIGH VOLTAGE	1	62-1371		
17	DECAL, BREATHING AIR	1	62-1372		
18	DECAL, READ MANUAL	1	62-1374		
19	DECAL, WARNING FAN	1	62-1377		
20	DECAL, BELT WARNING	1	62-1378		



SK48519 ECH 46278
JCH 9/97

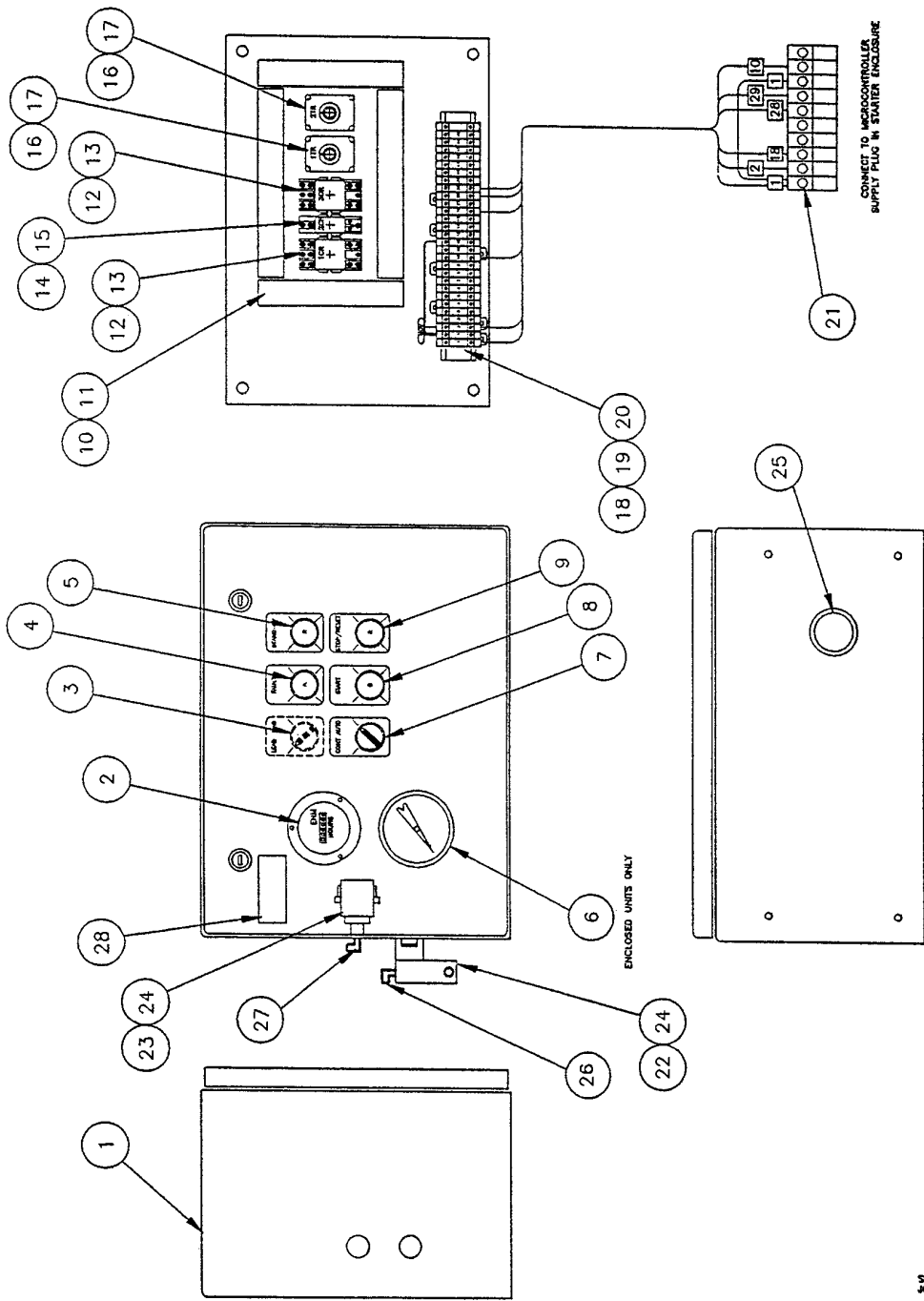
"NEMA 1 SHOWN"

PARTS LIST GROUPS AND COMPONENTS

MODEL
CL30X, 40-50SS,CUB

PART NUMBERS

GROUP NO. 10 MICROCONTROLLER ASSEMBLY				STANDARD		
REF	PART DESCRIPTION	QTY	NEMA 1			
				G76-1296		
				G76-1300 NEMA 4		
1	ENCLOSURE, MICROCONTROLLER (NEMA 1)	1		A68-3193		
1	ENCLOSURE, MICROCONTROLLER (NEMA 4)	1		68-2503		
2	DOOR ASSY. MICRONCONTROLLER (NEMA 1; N/A NEMA 4)	1		39-7439		
3	MICROCONTROLLER ASSY.	1		76-1300		
4	TRANSFORMER	1		185-26		
5	TRANSDUCER, PRESSURE	2		76-1306		
6	DECAL, MICROCONTROLLER	1		62-1357		
7	PUSH BUTTON EMERGENCY STOP	1		76-1301		
8	DECAL, SERIAL NUMER	1		62-1382		
9	VALVE, SOLENOID	1		15-1932		
10	BUSHING, 1/2" NPT	1		188-129-1		
11	SWITCH, VAX 20" H20 N/C	1		76-1303		
12	HARNESS, WIRE	1		61-1040		
13	TEMP, PROBE	1		76-1302		
14	SWITCH, DELTA P OIL FILTER	1		76-1304		
15	BULKHEAD COUPLING	3		182-1098		
16	TERMINAL MALE 1/4"	5		121-263		
17	TERMINAL FEMALE 1/4"	5		121-262		
18	SPACER #8 X 1/4"	6		22-1443		
20	SWIVEL TUBE FITTING	2		182-1064		
21	SWIVEL TUBE FITTING	4		182-1064-1		
22	BUSHING 1/4 X 1/8	3		013-1061-3		
23	GROMMET	1		150-70		
24	SCREW PAN HEAD 8-32	5		34-1585		
25	NUT, HEX 8-32	5		04-11		
26	SCREW ROUND HEAD	2		34-1586		
27	CONNECTOR LIQUID TITE	2		182-1069-1		
28	CONNECTOR LIQUID TITE STR	2		182-928-1		
29	CONDUIT PVC 3/8"	8		55-2447-1		
30	SCREW 1/4-20 X 3/4	4		02-4-1		
31	NUT 1/4-20	4		04-101-1		
32	CONDUIT BODY 1/2"	2		188-128		
33	SCREW KNURLED	2		34-1587		
34	NUT CLIP	2		53-806		
35	SCREW RETAINER	2		53-805		
36	SPRING SCREW	2		24-1095		
37	PRESSURE SWITCH (NOT SHOWN) (MICROCONTROLLER BYPASS OPTION)	1		76-1263		



SK-49440 ECH 45208
JCH 7/97

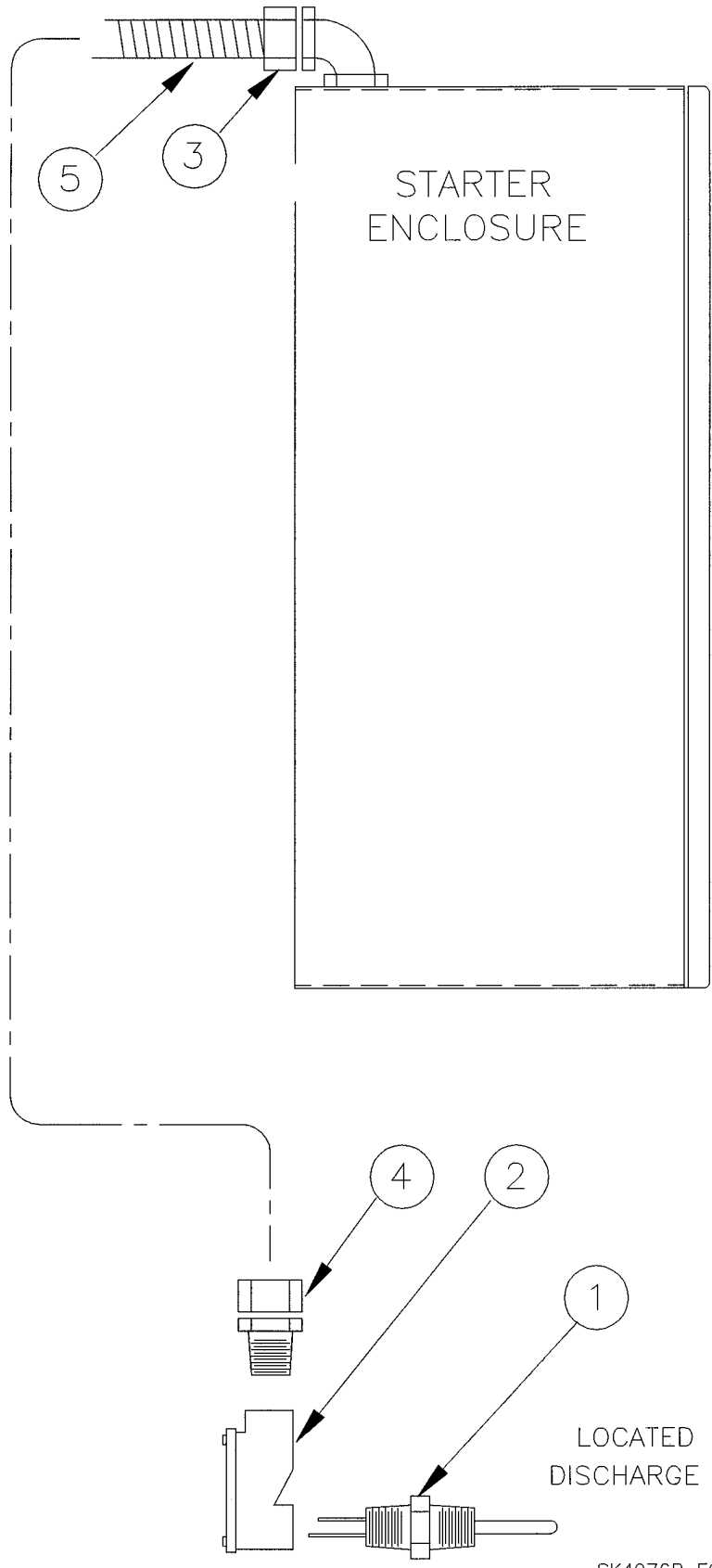
PARTS LIST GROUPS AND COMPONENTS

MODEL
CL30X, 40-50SS,CUB

PART NUMBERS

GROUP NO. 10A AUTO/DUAL CONTROL			STANDARD		
REF	PART DESCRIPTION	QTY	G68-2527		
1	ENCLOSURE	1	68-2527		
2	HOURMETER	1	220-383-4		
3	OPERATOR SELECTOR		CF		
4	LIGHT		CF		
5	LIGHT		CF		
6	PRESSURE GUAGE	1	CF		
7	OPERATOR SELECTOR	1	76-1374		
8	OPERATOR BUTTON	1	76-1099-1		
	CONTACT BLOCK	1	76-1173-1		
9	OPERATOR BUTTON		CF		
10	PANDUIT WIREWAY		CF		
11	WIREWAY CAP		CF		
12	RELAY CR1/3	2	220-383-2		
13	SOCKET		CF		
14	RELAY CR2	1	220-383-3		
15	SOCKET BASE		CF		
16	TIMER RELAY TR1	1	220-383		
	TIMER RELAY TR2	1	220-383-1		
17	RELAY BASE	2	220-383-5		
18	TERMINAL BLOCK		CF		
19	END CAP		CF		
20	DIN RAIL		CF		
21	CONNECTOR HARNESS	1	CF		
22	SOLENOID VALVE	1	15-1932		
23	PRESSURE SWITCH	1	76-1263		
24	LOCK NUT	3	53-261-1		
25	GROMMET	1	150-70		
26	TUBE FITTING	3	182-1064		
27	TUBE FITTING	1	182-1064-1		
28	DECAL SERIAL #	1	62-1382		
29	PIPE NIPPLE	1	013-4-3		

CF = CONSULT FACTORY



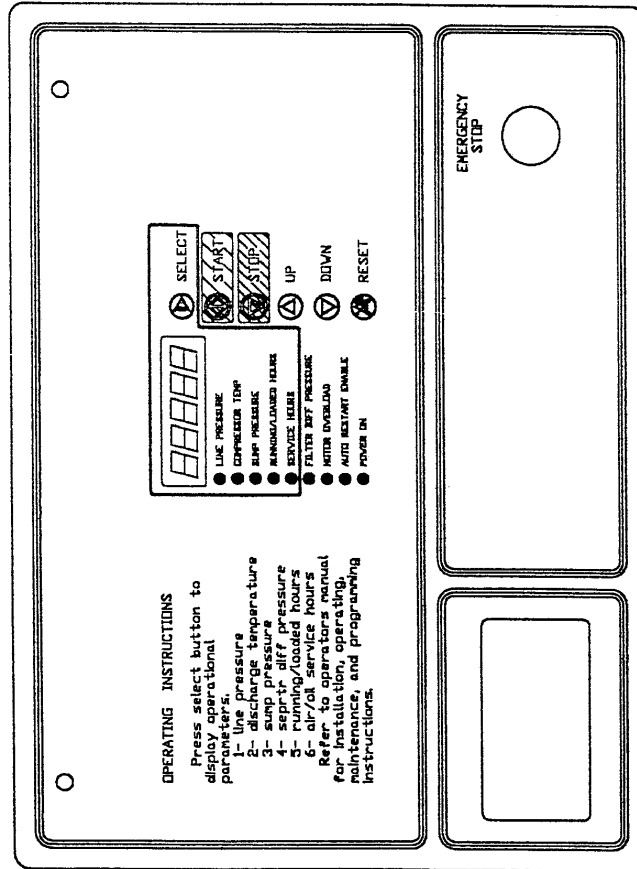
PARTS LIST GROUPS AND COMPONENTS

MODEL
CL30X, 40-50SS,CUB

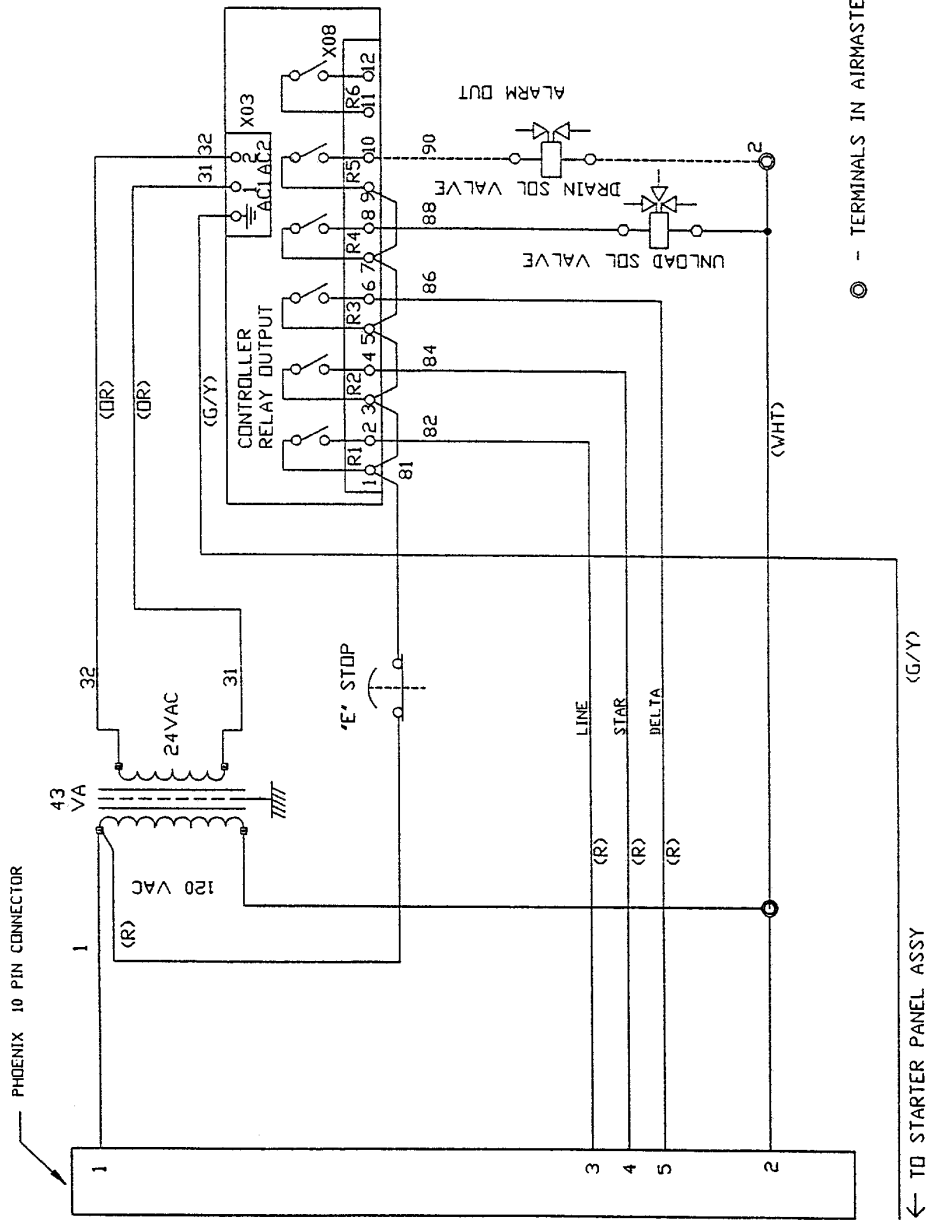
PART NUMBERS

GROUP NO. 10B CUB INSTRUMENT CONTROL			STANDARD		
REF	PART DESCRIPTION	QTY	G151-510		
1	SWITCH	1	76-940		
2	CONDUIT LB OUTLET	1	188-128		
3	CONDUIT CONNECTOR 90	1	182-1069-1		
4	CONDUIT CONNECTOR STR	1	182-928-1		
5	CONDUIT 3/8	3	55-2447-1		

THIS PAGE LEFT INTENTIONALLY BLANK.



THIS PAGE LEFT INTENTIONALLY BLANK.



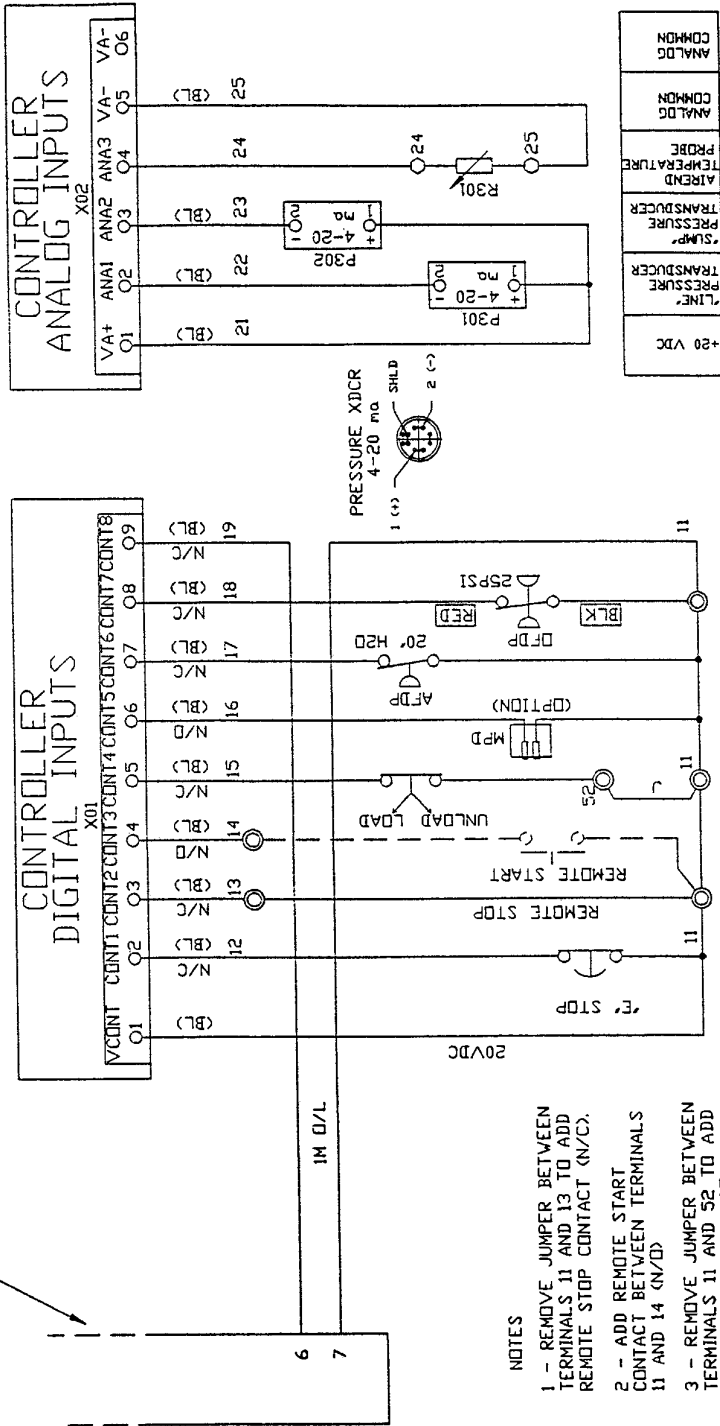
© - TERMINALS IN AIRMASTER ASSY

COMPARTROLLER RELAY OUTPUTS
8870C ECN 44397

← TO STARTER PANEL ASSY

THIS PAGE LEFT INTENTIONALLY BLANK.

PHOENIX 10 PIN CONNECTOR



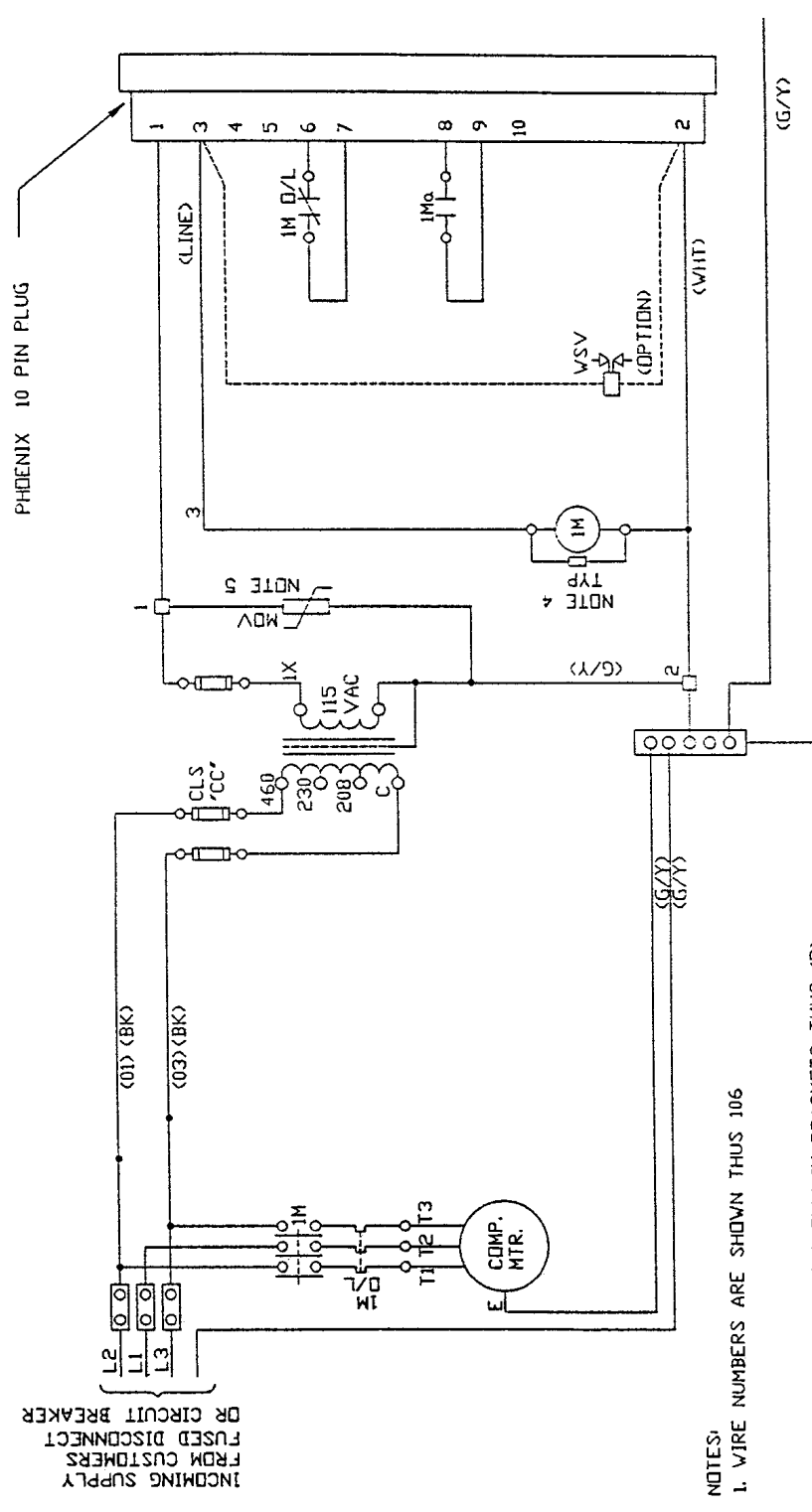
NOTES

- 1 - REMOVE JUMPER BETWEEN TERMINALS 11 AND 13 TO ADD REMOTE STOP CONTACT (N/C).
- 2 - ADD REMOTE START CONTACT BETWEEN TERMINALS 11 AND 14 (N/D).
- 3 - REMOVE JUMPER BETWEEN TERMINALS 11 AND 52 TO ADD REMOTE LOAD CONTACT.

+20 VDC
EMERGENCY STOP
REMOTE STOP SEQ
REMOTE STOP
REMOTE START
REMOTE LOAD
METAL PARTICLE DETECTOR
AIR FILTER DIFF SWITCH
DIL FILTER DIFF SWITCH
MOTOR OVERLOAD RELAY

COMPAIRROLLER DIGITAL/ANALOG INPUTS
8871C ECN 44397

THIS PAGE LEFT INTENTIONALLY BLANK.



PHOENIX 10 PIN PLUG

INCOMING SUPPLY
 FUSED DISCONNECT
 OR CIRCUIT BREAKER

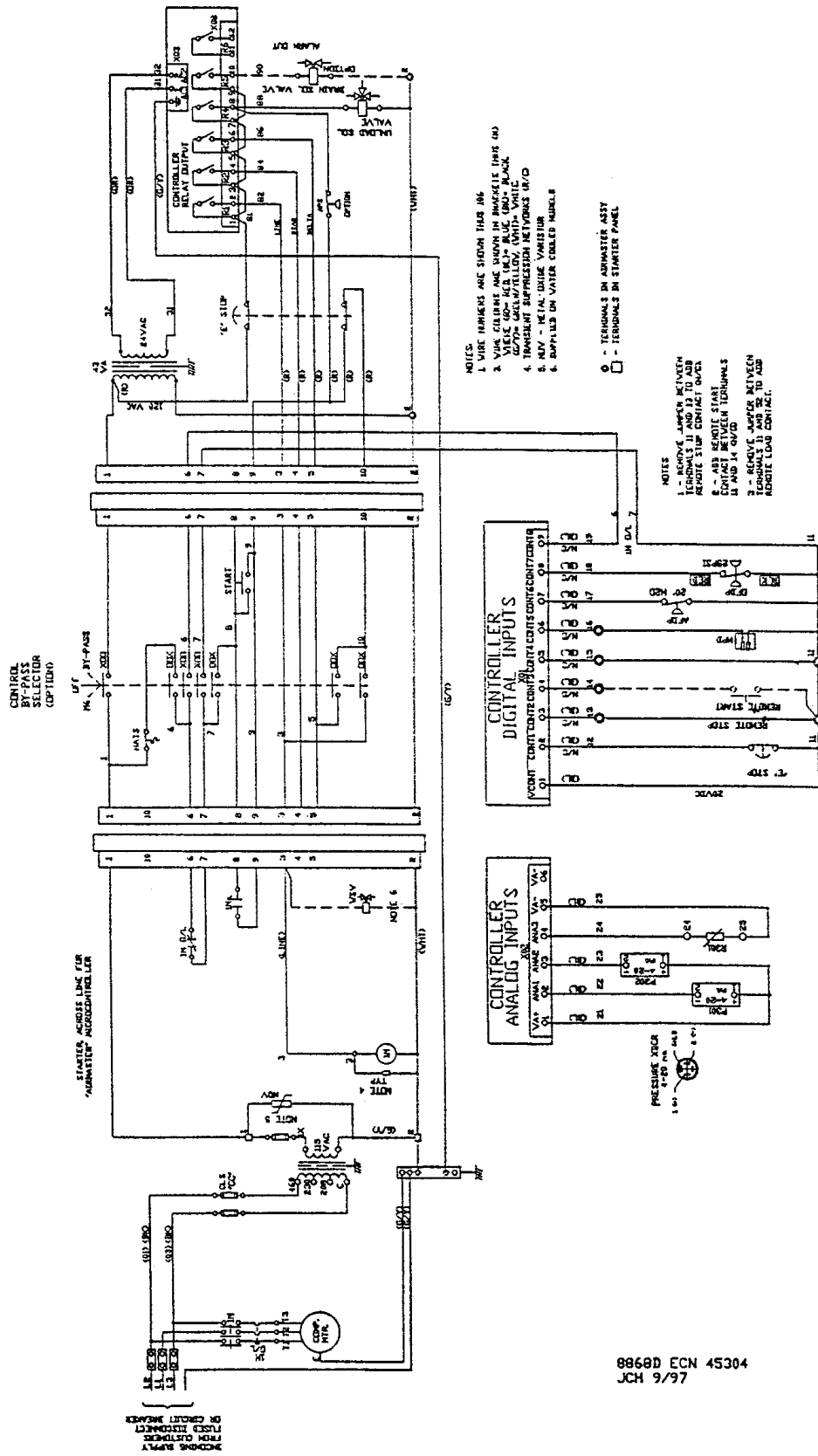
NOTES:
 1. WIRE NUMBERS ARE SHOWN THUS 106

- 3. WIRE COLOURS ARE SHOWN IN BRACKETS THUS (R) WHERE (R)= RED, (BL)= BLUE, (BK)= BLACK, (G/Y)= GREEN/YELLOW, (WHT)= WHITE.
- 4. TRANSIENT SUPPRESSION NETWORKS (R/C)
- 5. MOV - METAL OXIDE VARISTOR

ACROSS LINE STARTER FOR COMPAIRTROLLER
 8872C ECN 44397

THIS PAGE LEFT INTENTIONALLY BLANK.

THIS PAGE LEFT INTENTIONALLY BLANK.



- NOTES:
1. WIRE NUMBERS ARE SHOWN THEIR IN/6
 2. WIRE COLORS ARE SHOWN IN PARALLELS (IN/6)
 3. WIRE 600 - RED, 1007 - BLUE, 1001 - BLACK
 4. TERMINAL PRESSURE SWITCH NETWORKS 10/0
 5. 1001 - METAL OXIDE VARISTOR
 6. SUPPLIED IN WATER COOLED MODEL

○ - TERMINALS IN ARMATURE ASSEMBLY
 □ - TERMINALS IN STARTER PANEL

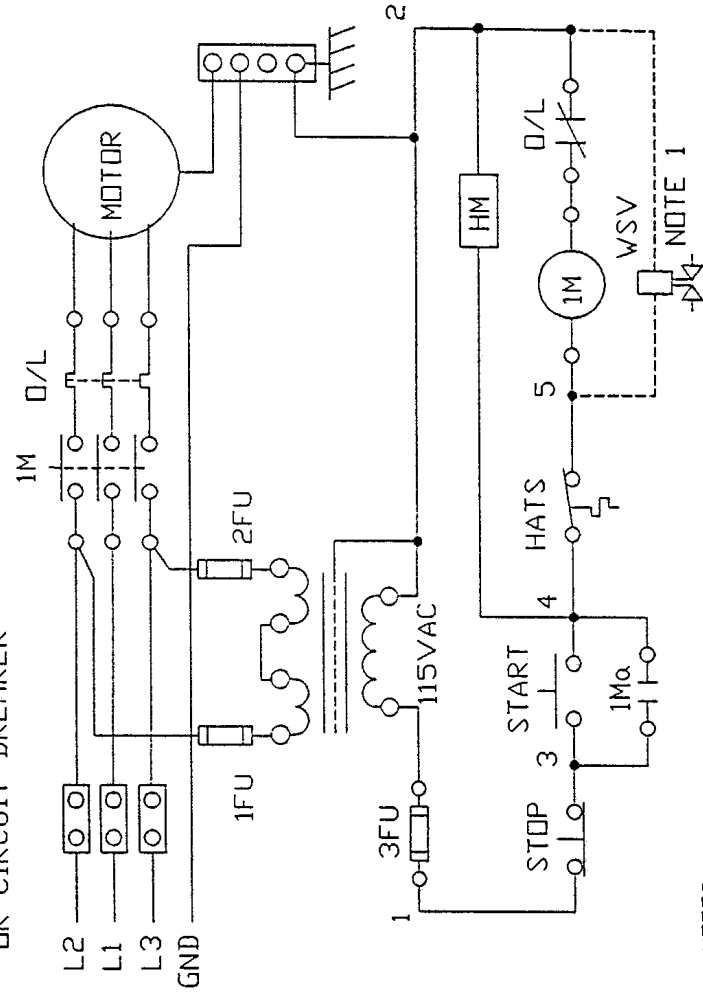
- NOTES:
- 1 - REMOVE JUMPER BETWEEN TERMINALS 11 AND 12 TO ADD REVERSE STOP CONTACT DUPLICATOR
 - 2 - ADD REVERSE START CONTACT BETWEEN TERMINALS 11 AND 14 TO ADD REVERSE STOP CONTACT DUPLICATOR
 - 3 - REMOVE JUMPER BETWEEN TERMINALS 11 AND 12 TO ADD REVERSE STOP CONTACT DUPLICATOR

COMPAIR CONTROLLER BYPASS OPTION WIRING DIAGRAM

8868D ECN 45304
 JCH 9/97

THIS PAGE LEFT INTENTIONALLY BLANK.

INCOMING SUPPLY
FROM CUSTOMERS
FUSED DISCONNECT
OR CIRCUIT BREAKER

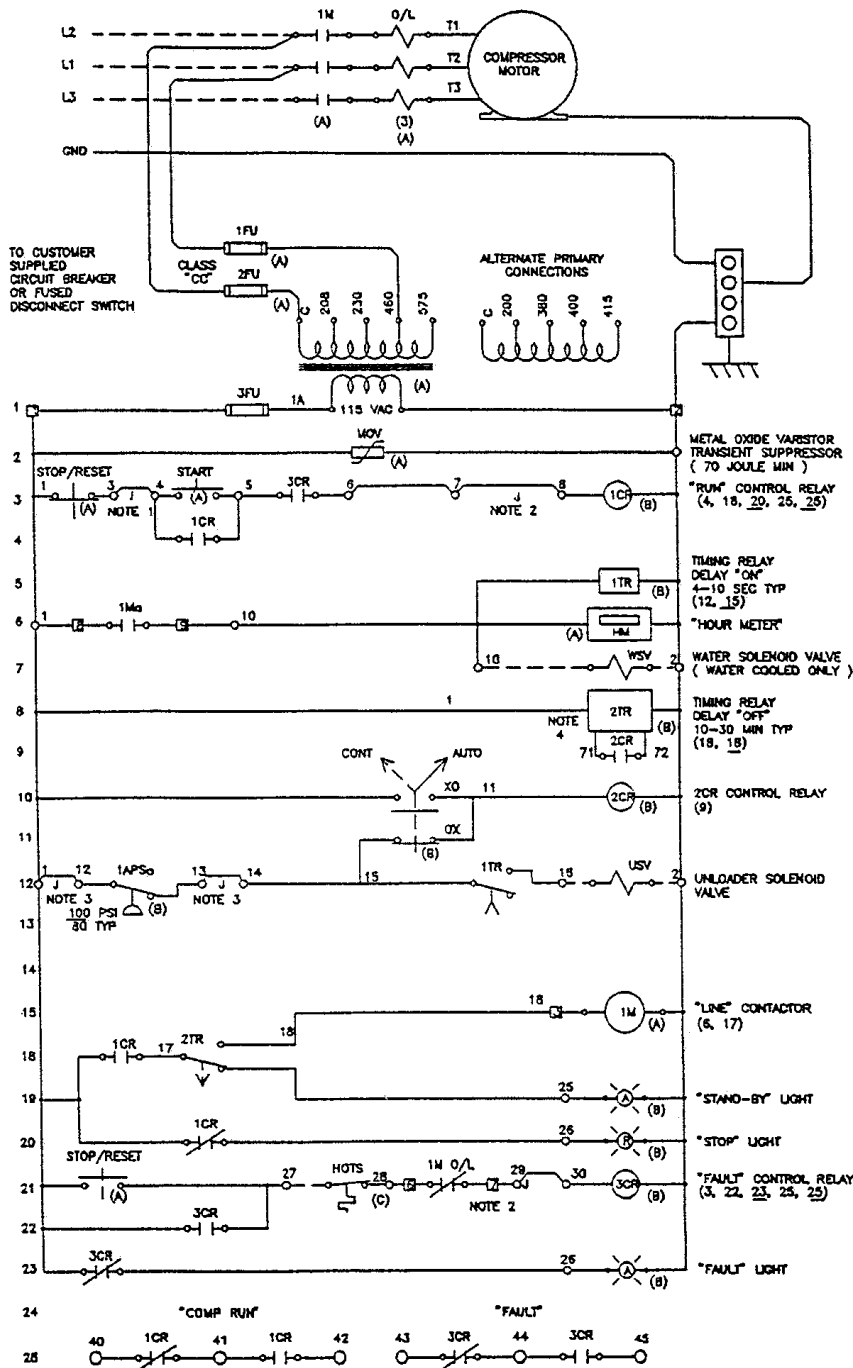


NOTES
1 WATER COOLED UNITS ONLY

CUB ACROSS LINE STARTER
WIRING

8875A ECN 45304
JCH 9/97

THIS PAGE LEFT INTENTIONALLY BLANK.



AUTO-DUAL CONTROL
 CUB, ACROSS LINE

NOTES :

- 1- REMOVE JUMPER WHEN INSTALLING REMOTE 3-WIRE START / STOP PUSH BUTTON STATION TO TERMINALS 3, 4, AND 5.
- 2- REMOVE JUMPER WHEN INSTALLING EXTRA SAFETY DEVICE(S) (NORMALLY CLOSED) BETWEEN TERMINALS 6, 7, AND 8.
- 3- REMOVE JUMPERS 1-12, 13-14 WHEN INSTALLING MULTIPLE COMPRESSOR SEQUENCER PANEL.
- 4- THE "XO" AND "OX", INDICATE THE POSITION THE SELECTOR SWITCH CONTACTS ARE OPEN (O) OR CLOSED (X).

- (A) COMPONENT IN STARTER PANEL
 (B) COMPONENT IN CONTROL PANEL
 (C) COMPONENT ON COMPRESSOR ASSY

NOMENCLATURE :

- O/L OVERLOAD RELAY
 1M "LINE" CONTACTOR
 3 "STAR" CONTACTOR
 0 "DELTA" CONTACTOR
 FU FUSE
 MOV METAL OXIDE VARISTOR
 CR CONTROL RELAY
 TR TIMING RELAY
 HM "RUNNING" HOUR METER
 WSV WATER SOLENOID VALVE
 APS AIR PRESSURE SWITCH
 USV UNLOAD SOLENOID VALVE
 HOTS HIGH AIR/OIL TEMP SWITCH

□ CIRCUIT NO. IN STARTER

8932D ECN 45304
 JCH 9/97

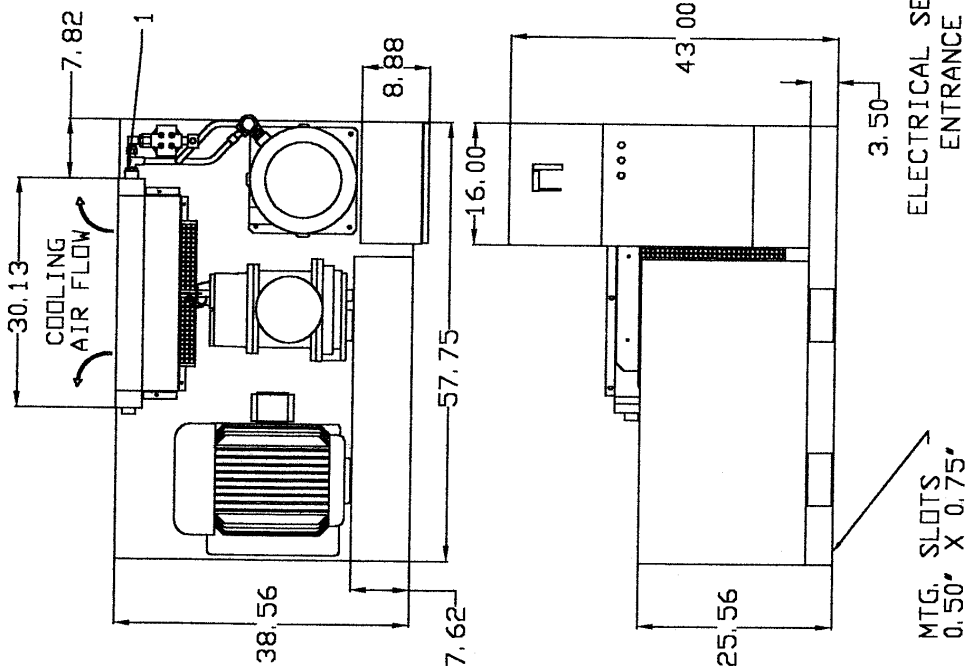
THIS PAGE LEFT INTENTIONALLY BLANK.

THIS PAGE LEFT INTENTIONALLY BLANK.

COMPRESSOR WEIGHT	
CL30SS-12	1415lbs
CL40SS	1515lbs
CL50SS	1583lbs

1 1/4" NPT AIR DISCHARGE

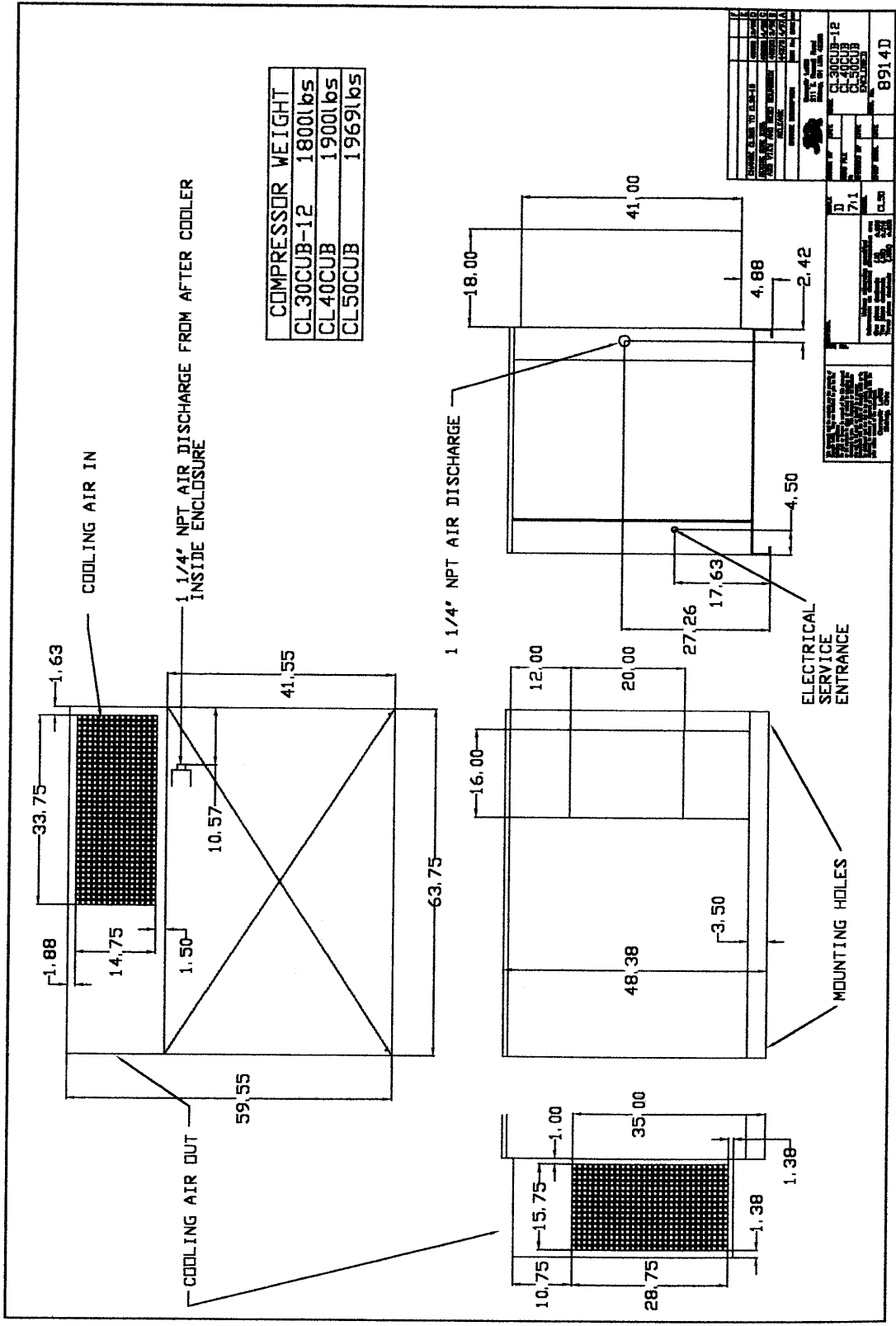
NOTE:
FAN TURNS CLOCK-WISE
AS VIEWED FROM FRONT
OF COMPRESSOR



MTG. SLOTS
0.50" X 0.75"
4 HOLES

CHANGE CL 30 TO CL 30-12	CL 30SS-12
AWR 10/14/13	40SS, 50SS
UN-ENCLOSED	
8909D	

THIS PAGE LEFT INTENTIONALLY BLANK.



COMPRESSOR WEIGHT	
CL30CUB-12	1800lbs
CL40CUB	1900lbs
CL50CUB	1969lbs

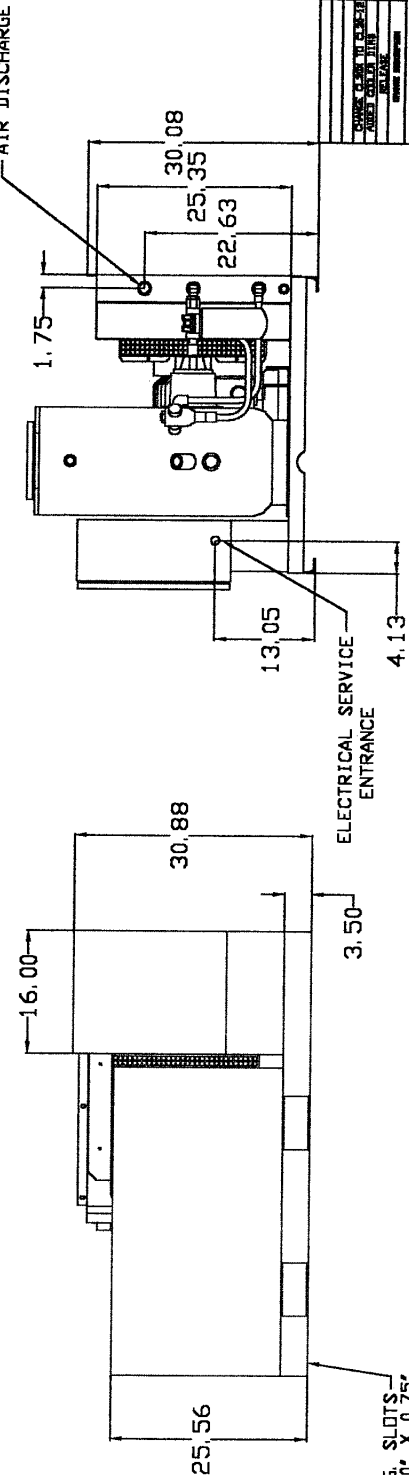
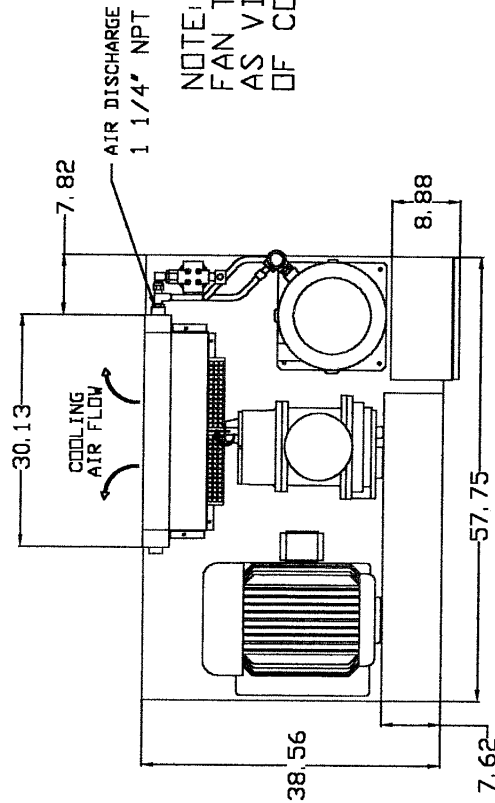
DATE	BY	CHKD BY	APP'D BY
10/12/71	J. W. ...	J. W. ...	J. W. ...
DRAWING TO BE USED FOR THE DESIGN OF THE ENCLOSURE. THE WEIGHTS LISTED ARE APPROXIMATE. THE WEIGHTS LISTED ARE APPROXIMATE. THE WEIGHTS LISTED ARE APPROXIMATE.			

REV	DATE	BY	CHKD BY	APP'D BY
1	10/12/71	J. W. ...	J. W. ...	J. W. ...
THIS DRAWING IS THE PROPERTY OF THE U.S. AIR FORCE. IT IS TO BE KEPT IN THE ORIGINAL FILE AND NOT REPRODUCED OR TRANSMITTED IN ANY FORM OR BY ANY MEANS, ELECTRONIC OR MECHANICAL, INCLUDING PHOTOCOPYING, RECORDING, OR BY ANY INFORMATION STORAGE AND RETRIEVAL SYSTEM.				

THIS PAGE LEFT INTENTIONALLY BLANK.

COMPRESSOR WEIGHT	
CL30CUB-12	1400lbs
CL40CUB	1500lbs
CL50CUB	1570lbs

NOTE:
FAN TURNS CLOCK-WISE
AS VIEWED FROM FRONT
OF COMPRESSOR



CL30CUB-12	CL40CUB	CL50CUB
UN-ENCLOSED		
8907D		