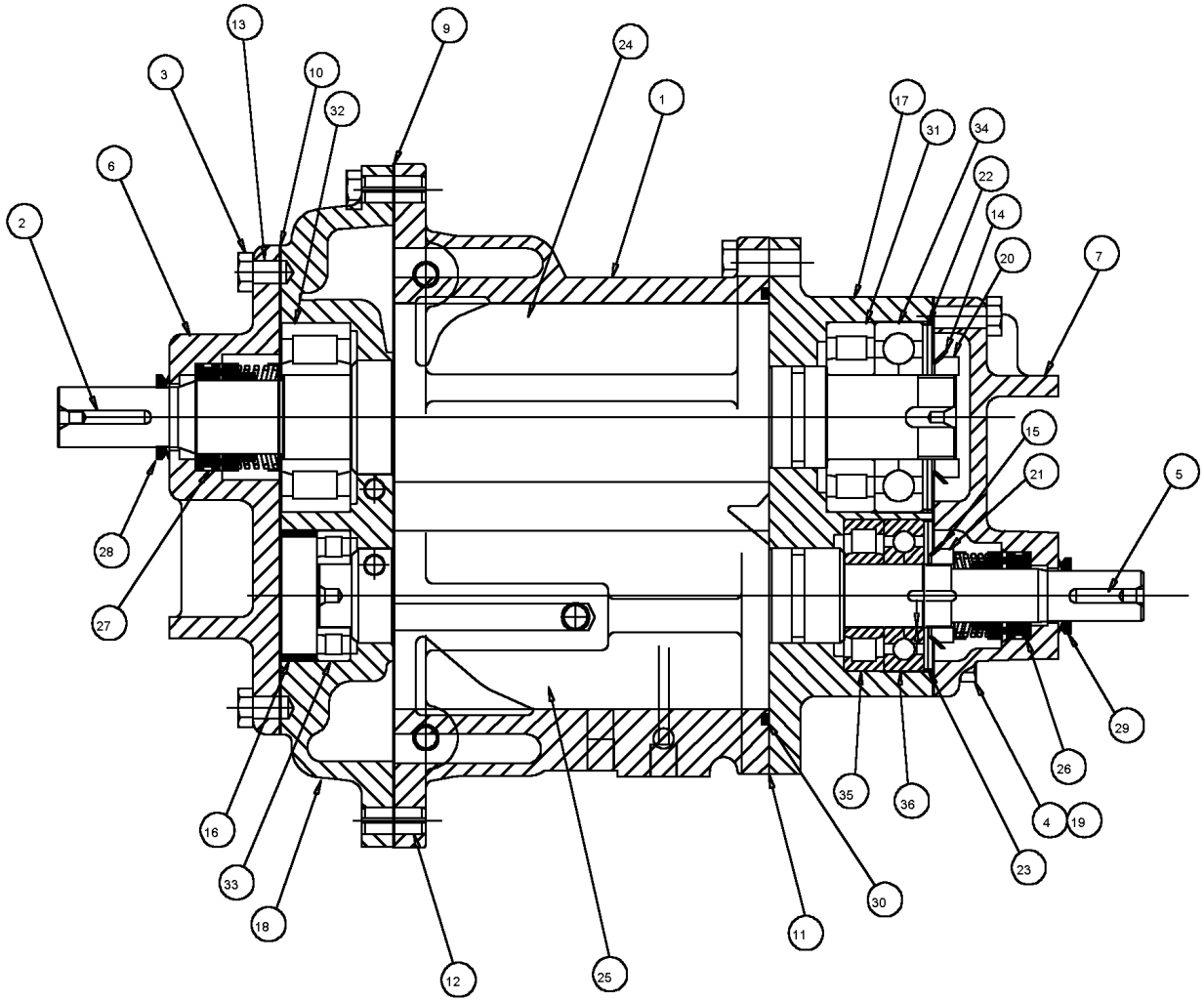


INDEX PARTS LIST

JANUARY 2001

4391x,4393x,4394x,4395x,4396x

GROUP NUMBER	GROUP NAME	GROUP NUMBER	GROUP NAME
1	AIREND ASSEMBLY		
1A	AIREND PLUMBING		
2	AIR/OIL RECEIVER - AIR/OIL PIPING		
3	AIR CLEANER - INTAKE VALVE		
4	OIL COOLER/AFTERCOOLER - FAN - FAN SHROUD		
5	SS CONTROL PIPING		
5A	CUB CONTROL PIPING		
5B	SS UPPER RANGE MODULATION		
6	BEDPLATE - DRIVE - ELECTRIC MOTOR - BELT GUARD		
7	STARTER ENCLOSURE		
8	AIR RECEIVER - MOISTURE SEPARATOR		
9	HOUSING		
10	DECALS AND LABELS		
11	MICROCONTROLLER CONTROL		
11A	AUTO-DUAL CONTROL		
			<p>WHEN CONSULTING YOUR DISTRIBUTOR OR THE FACTORY CONCERNING YOUR COMPRESSOR OR WHEN ORDERING SERVICE LITERATURE OR SERVICE PARTS, ALWAYS FURNISH COMPLETE UNIT MODEL AND SERIAL NUMBER.</p> <p>NOTE: ILLUSTRATIONS USED IN THIS PARTS LIST ARE OF TYPICAL PARTS AND MAY DIFFER IN DETAIL.</p> <p>ECN 47328</p>



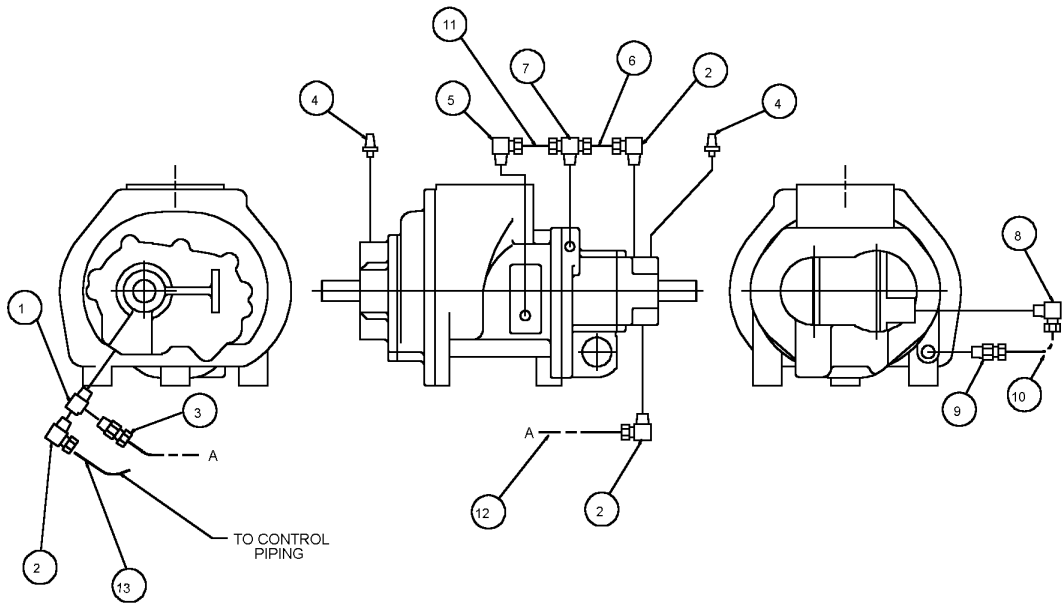
TI00126 ECN 45053

PARTS LIST GROUPS AND COMPONENTS

MODEL
CL20-25-30SS,CUB

PART NUMBERS

GROUP NO. 1 AIREND ASSEMBLY			STANDARD		
REF	PART DESCRIPTION	QTY	3A219-198		
1	CYLINDER	1	1-863-6		
2	KEY	1	0-9-116		
3	CAPSCREW, M10 X 30	20	0-2-860		
4	CAPSCREW, M10 X 40	17	0-2-862		
5	KEY	1	0-9-117		
6	INLET BEARING COVER	1	14-1817-2		
7	DISCHARGE BEARING COVER	1	14-1820-1		
9	GASKET	1	16-2097		
10	GASKET	1	16-2098		
11	GASKET	1	16-2099		
12	ROLL PIN	3	17-598-52		
13	DOWEL PIN	3	17-647		
14	LOCKWASHER	1	20-902		
15	LOCKWASHER	1	20-902-2		
16	SPACER	1	22-1223		
17	DISCHARGE BEARING RET.	1	31-999-4		
18	INLET BEARING RETAINER	1	31-1000-2		
19	CAPSCREW, M10 X 35	2	34-1364-13		
20	BEARING LOCKNUT	1	53-789		
21	BEARING LOCKNUT	1	53-789-2		
22	LOAD RING	1	64-312		
23	LOAD RING	1	64-313		
24	MALE ROTOR	1	101-215-1		
25	FEMALE ROTOR	1	101-216		
26	ROTARY SEAL	1	125-924		
27	ROTARY SEAL	1	125-940		
28	SEAL	1	125-950-3		
29	SEAL	1	125-950-4		
30	O-RING	1	125-955-3		
31	CYL. ROLLER BEARING	1	181-404		
32	CYL. ROLLER BEARING	1	181-599		
33	CYL. ROLLER BEARING	1	181-600		
34	FOUR-POINT BEARING	1	181-627		
35	CYL. ROLLER BEARING	1	181-632		
36	FOUR-POINT BEARING	1	181-633		



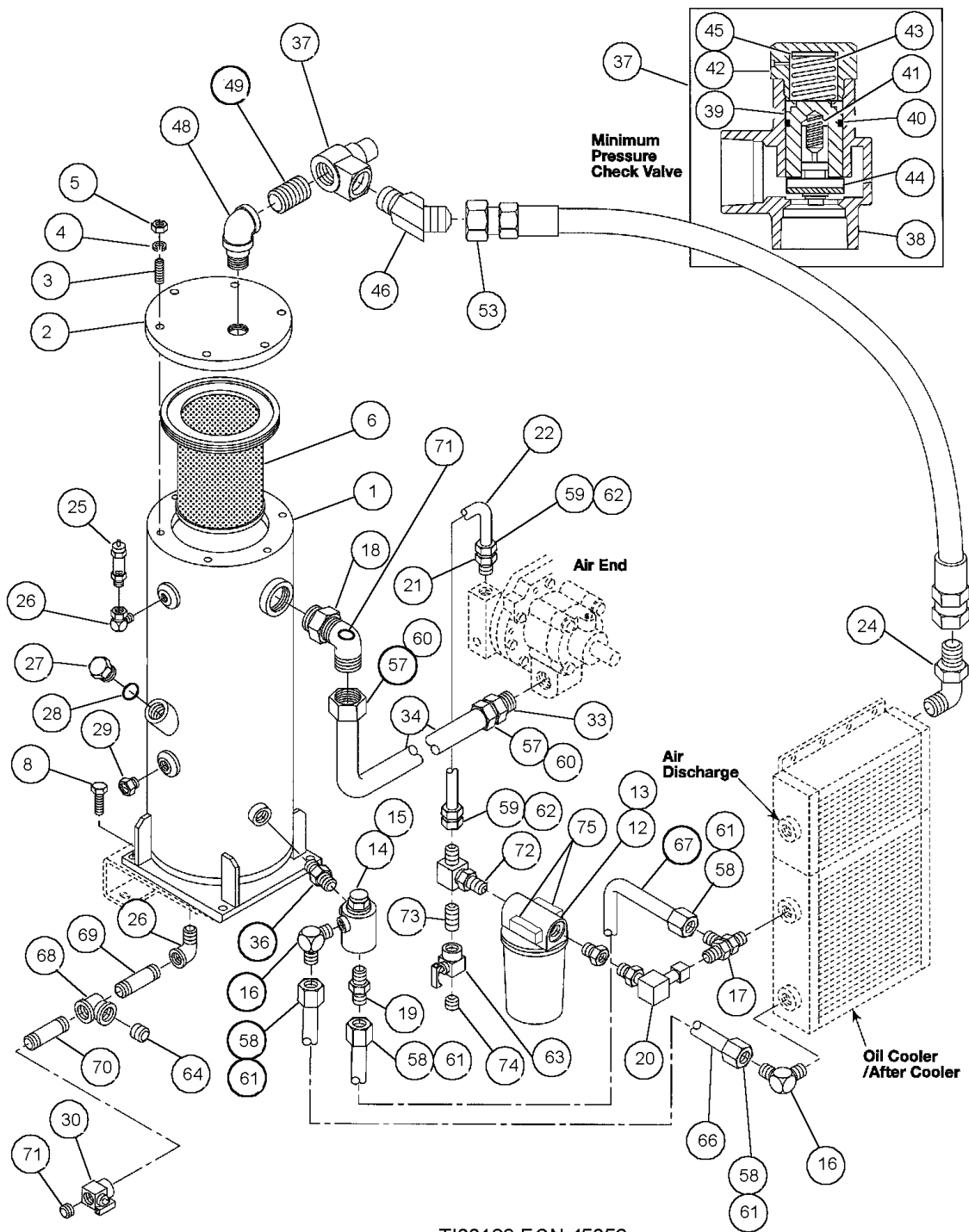
T100127 ECN 45052

PARTS LIST GROUPS AND COMPONENTS

MODEL
CL20-25-30SS,CUB

PART NUMBERS

GROUP NO. 1A AIREND PLUMBING			STANDARD		
sREF	PART DESCRIPTION	QTY	G33-1294		
1	RUN TEE	1	182-182		
2	TUBE FITTING 90°	3	H182-393		
3	TUBE FITTING	1	H182-358		
4	BREATHER	2	49-94		
5	TUBE FITTING 90°	1	H182-383		
6	TUBING, COPPER	1	55-2632		
7	TUBE FITTING TEE	1	H182-360		
8	TUBE FITTING 90°	1	H182-357		
9	TUBE FITTING STR.	1	H182-355		
10	TUBING, COPPER	1	55-2630		
11	TUBING, COPPER	1	55-2631		
12	TUBING, COPPER	1	55-2628		
13	TUBING, COPPER	1	55-2629		



TI00128 ECN 45053

PARTS LIST GROUPS AND COMPONENTS

MODEL CL20-25-30SS,CUB			PART NUMBERS		
GROUP NO. 2 AIR RECEIVER/OIL RESERVOIR - OIL PIPING/OIL FILTER			STANDARD		
REF	PART DESCRIPTION	QTY	G69-915	G33-944	
1	AIR RECEIVER-OIL RESERVOIR	1	A69-915		
2	COVER	1	Inc. A to B 14-1946--A		
3	STUD	6	105-585		
4	WASHER, SPECIAL	6	20-917		
5	NUT	6	53-788--B		
6	ELEMENT, SEPARATOR	1	43-1038		
8	SCREW, CAP 3/8-16 ROLOK	4	34-1512-1		
12	HEAD, OIL FILTER	1	43-1062		
13	ELEMENT, FILTER	1	43-1041--D		
14	BODY, BYPASS VALVE	1	116-281-4		
15	VALVE, THERMAL BYPASS 160D	1	116-441		
16	FITTING, ADPTR	2	182-1068		
17	FITTING, ADPTR.	1	182-1059		
18	FITTING, ADPTR.	1	182-1062		
19	FITTING, ADPTR.	1	182-511		
20	FITTING, ADPTR 90D	1	182-1060		
21	FITTING, ADPTR.	1	182-511-3		
22	TUBE , 1/2" OIL INJECTION	1	55-2612		
23	FITTING, REDUCER	1	182-1061		
24	FITTING, 90° ADAPTOR	1	182-434-12		
25	VALVE, PRESSURE RELIEF	1	15-1270-6		
26	ELBOW, PIPE	2	013-504-3		
27	PLUG, FILLER	1	182-750-14		
28	SEAL, PLUG	1	125-789-23		
29	GAGE, OIL LEVEL	1	60-629		
30	VALVE, DRAIN	1	15-1292		
33	FITTING, ADPTR. STA	1	182-511-2		
34	HOSE ASSY., OIL DISCHARGE	1	A73-1070		
36	FITTING, UNION	1	182-1058		
37	VALVE, MINIMUM PRESSURE/CHECK	1	15-1953		
38	BODY, VALVE	1	Inc. E to F 220-182-1--E		
39	PISTON, LARGE	1	220-182-3		
40	SEAL, O-RING	1	125-826-29		
41	SPRING, SMALL	1	220-187-4		
42	CAP	1	220-159-5		
43	SPRING, LARGE	1	220-159-6		
44	PISTON, ASSEMBLY	1	220-159-7		
45	SPACER (SHIM)	3	06-69--F		
46	FITTING 1 1/4 NPT X JIC 16 45D	1	182-433-9		
48	ELBOW, PIPE	1	013-507-3		
49	NIPPLE, PIPE	1	013-171-3		
53	HOSE ASSEMBLY	1	A73-1049		
58	FERRULE 3/4"	4	182-1056-3		
59	FERRULE 1/2"	2	182-1056-2		
61	NUT VERSILFLARE 3/4"	4	182-1057-3		
62	NUT VERSILFLARE 1/2"	2	182-1057-2		
63	VALVE, BALL 1/4"	1	15-338		

THIS PAGE LEFT INTENTIONALLY BLANK.

PARTS LIST GROUPS AND COMPONENTS

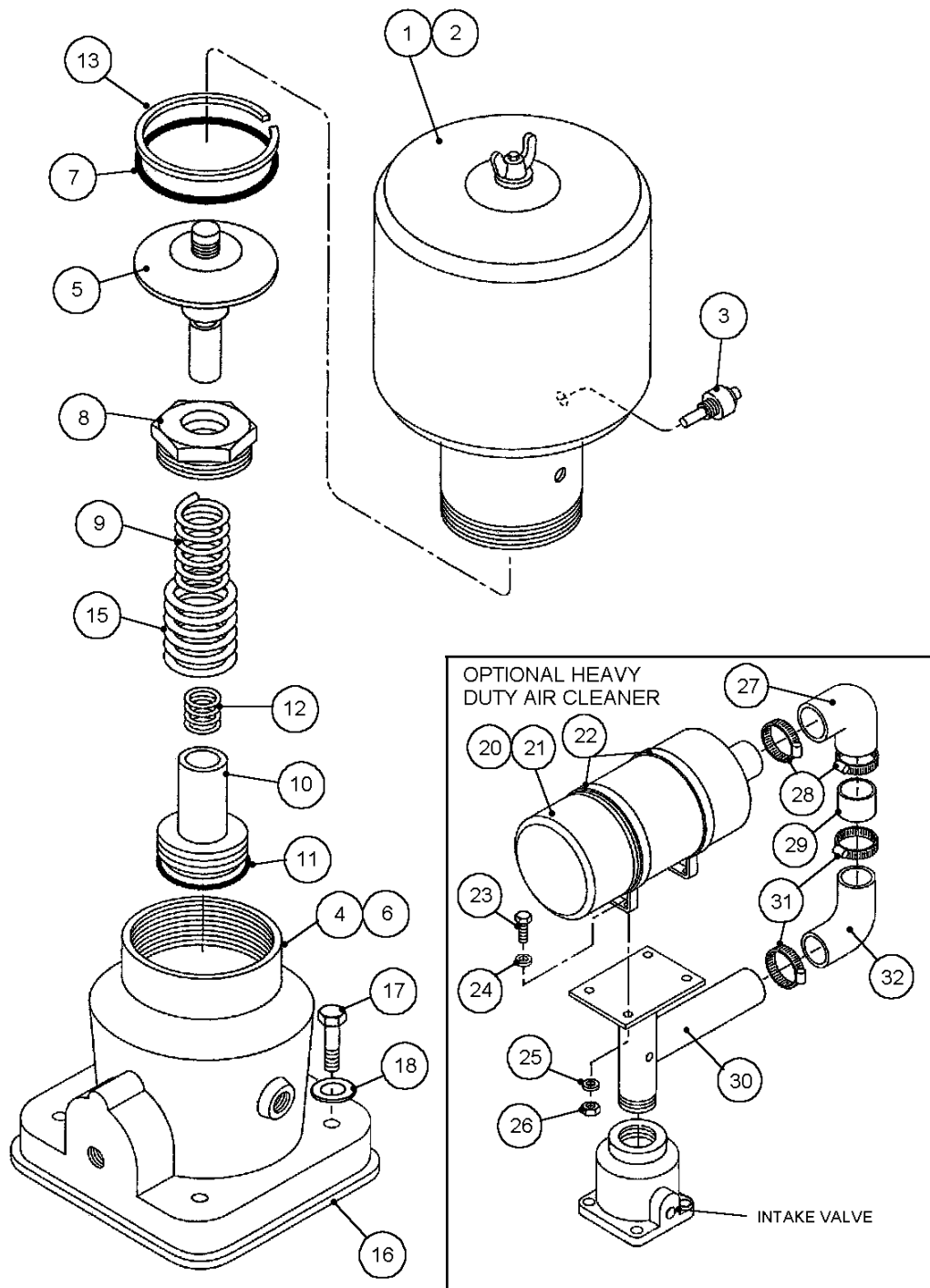
**MODEL
CL20-25-30SS,CUB**

PART NUMBERS

**GROUP NO. 2 AIR RECEIVER/OIL
RESERVOIR - OIL PIPING/OIL FILTER CONTINUED**

STANDARD

REF	PART DESCRIPTION	QTY	PART NUMBERS
64	PLUG, 1/2" PIPE MAGNETIC	1	19-370
66	TUBE 3/4"	1	55-2613
67	TUBE 3/4"	1	55-2614
68	TEE, 1/2" NPT	1	013-604-3
69	PIPE NIPPLE	1	013-113
70	NIPPLE CLOSE	1	013-24
71	PLUG, 1/2" (1 ON SS - 2 ON CUB)	2	011-104-3
	TEMP. PROBE SILICON (SS)	1	76-1302
72	ADPTR, EL SAE 16XJIC8 SPEC.	1	182-1072
73	HEX NIPPLE 1/4 NPT	1	182-906
74	PLUG, 1/4	1	011-102-3
75	INDICATOR, OIL	2	204-2014



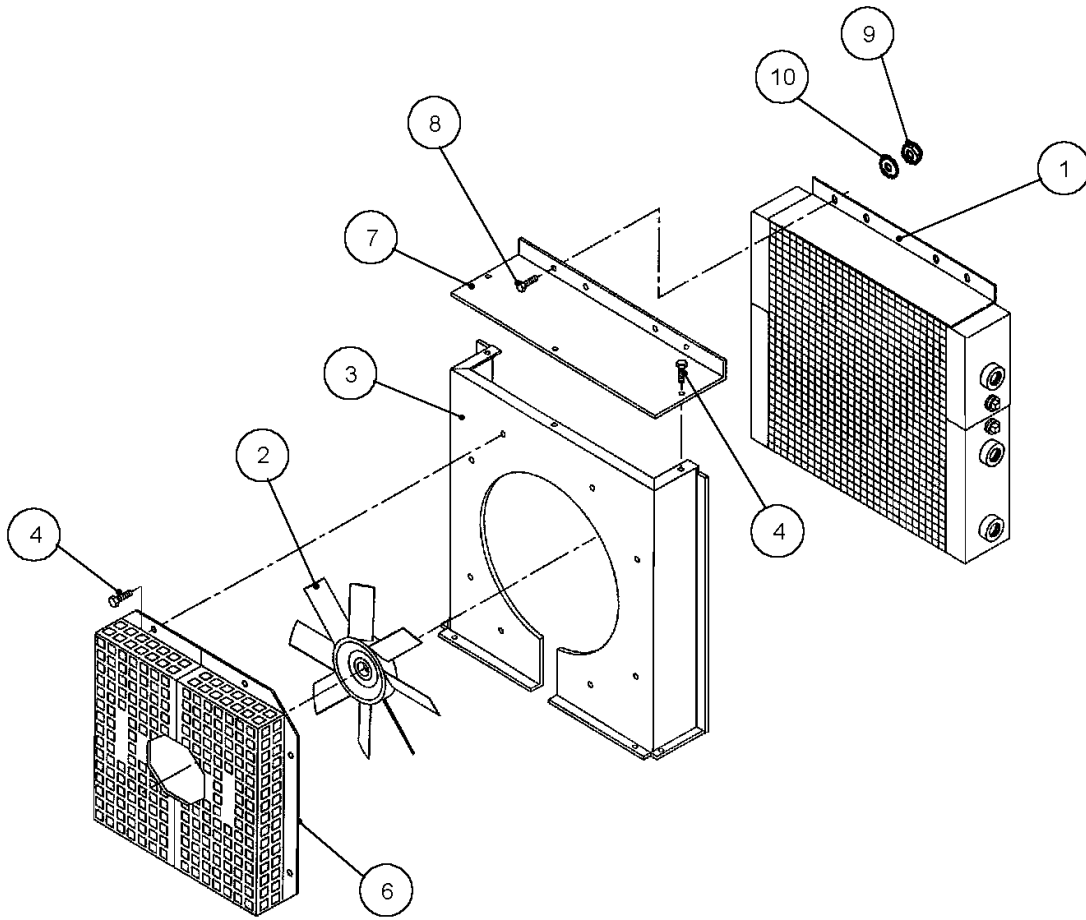
TI00115 ECN 46153

PARTS LIST GROUPS AND COMPONENTS

MODEL
CL20-25-30SS,CUB

PART NUMBERS

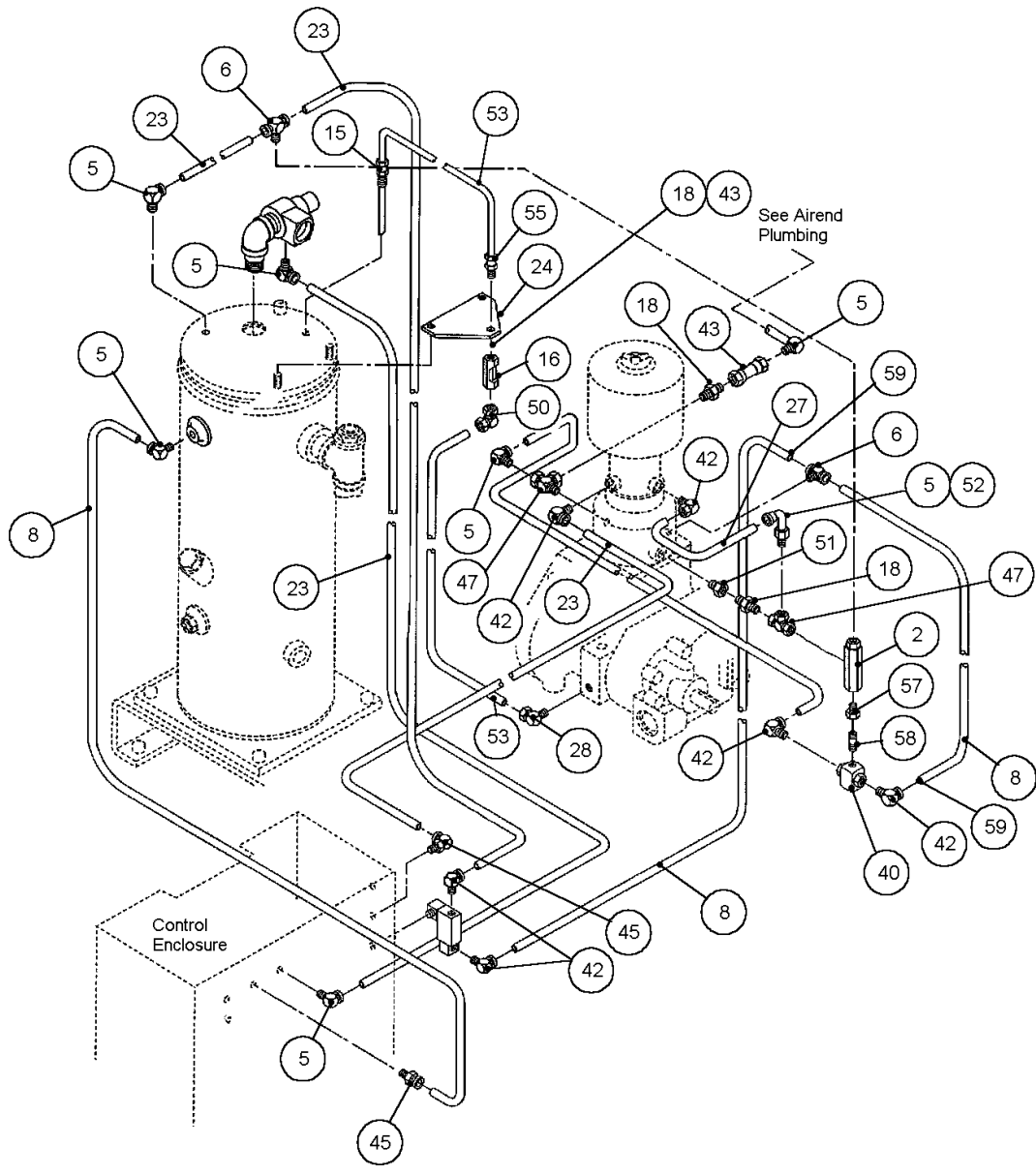
			STANDARD
GROUP NO. 3 AIR CLEANER - INTAKE VALVE			
			9G116-427
REF	PART DESCRIPTION	QTY	G43-827-1
			A39-7447
1	AIR CLEANER	1	43-827-1 Inc. A
2	ELEMENT	1	43-763-A
3	INDICATOR, RESTRICTION	1	60-345
4	VALVE ASSEMBLY, INTAKE	1	116-454 Inc. B to C
5	VALVE	1	220-260--B
6	BODY	1	220-260-1
7	SEAL, SPECIAL	1	220-260-2
8	CAP	1	220-260-3
9	SPRING, (INNER)	1	220-260-4
10	PISTON	1	220-260-5
11	SEAL, O-RING	1	220-260-6
12	SPRING	1	220-260-7
13	RING, RETAINING	1	220-260-8
15	SPRING (OUTER)	1	220-260-10--C
16	GASKET	1	16-2121
17	SCREW, CAP	4	02-860-1
18	WASHER, LOCK	4	05-51-1
	AIR CLEANER GROUP (HEAVY DUTY OPTION)		
20	AIR CLEANER	1	43-494-2 Inc. D
21	AIR FILTER ELEMENT	1	220-105
22	CLAMP, AIR CLEANER MTG.	2	83-608
23	SCREW, CAP	4	02-20
24	WASHER, FLAT	4	06-3
25	WASHER, LOCK	4	05-50
26	NUT	4	04-102
27	ELBOW RUBBER	2	H73-765
28	HOSE CLAMP	4	83-621-3
29	TUBE	1	55-1956
30	SUPPORT AIR FILTER HD	1	A39-7447



T100114 ECN 46153

PARTS LIST GROUPS AND COMPONENTS

MODEL CL20-25-30SS,CUB			PART NUMBERS		
GROUP NO. 4 OIL COOLER/AFTERCOOLER - FAN - FAN SHROUD			STANDARD		
REF	PART DESCRIPTION	QTY	1G71-1063		
1	OIL COOLER/AFTERCOOLER ASSEMBLY	1	71-1063		
2	FAN 14"	1	42-373		
3	SHROUD	1	201-380-1		
4	SCREW, CAP	11	34-1512-4		
6	GUARD	2	68-3192-1		
7	SHROUD COVER	1	14-1953-1		
8	SCREW 1/4 X 3/4	4	02-4		
9	NUT 1/4"	4	04-101		
10	WASHER, LOCK 1/4"	4	05-49		
16" FAN 2G71-1063					
OIL COOLER/AFTERCOOLER - FAN - FAN SHROUD 16" (150 PSI MACHINES)					
1	OIL COOLER/AFTERCOOLER ASSEMBLY	1	71-1063		
2	FAN 16"	1	42-376		
3	FAN SHROUD 16"	1	201-393-1		
4	SCREW, CAP	11	34-1512-4		
6	GUARD, FAN 16"	2	68-2530-1		
7	SHROUD COVER	1	14-1953-1		
8	SCREW 1/4 X 3/4	4	02-4		
9	NUT 1/4"	4	04-101		
10	WASHER, LOCK 1/4"	4	05-49		



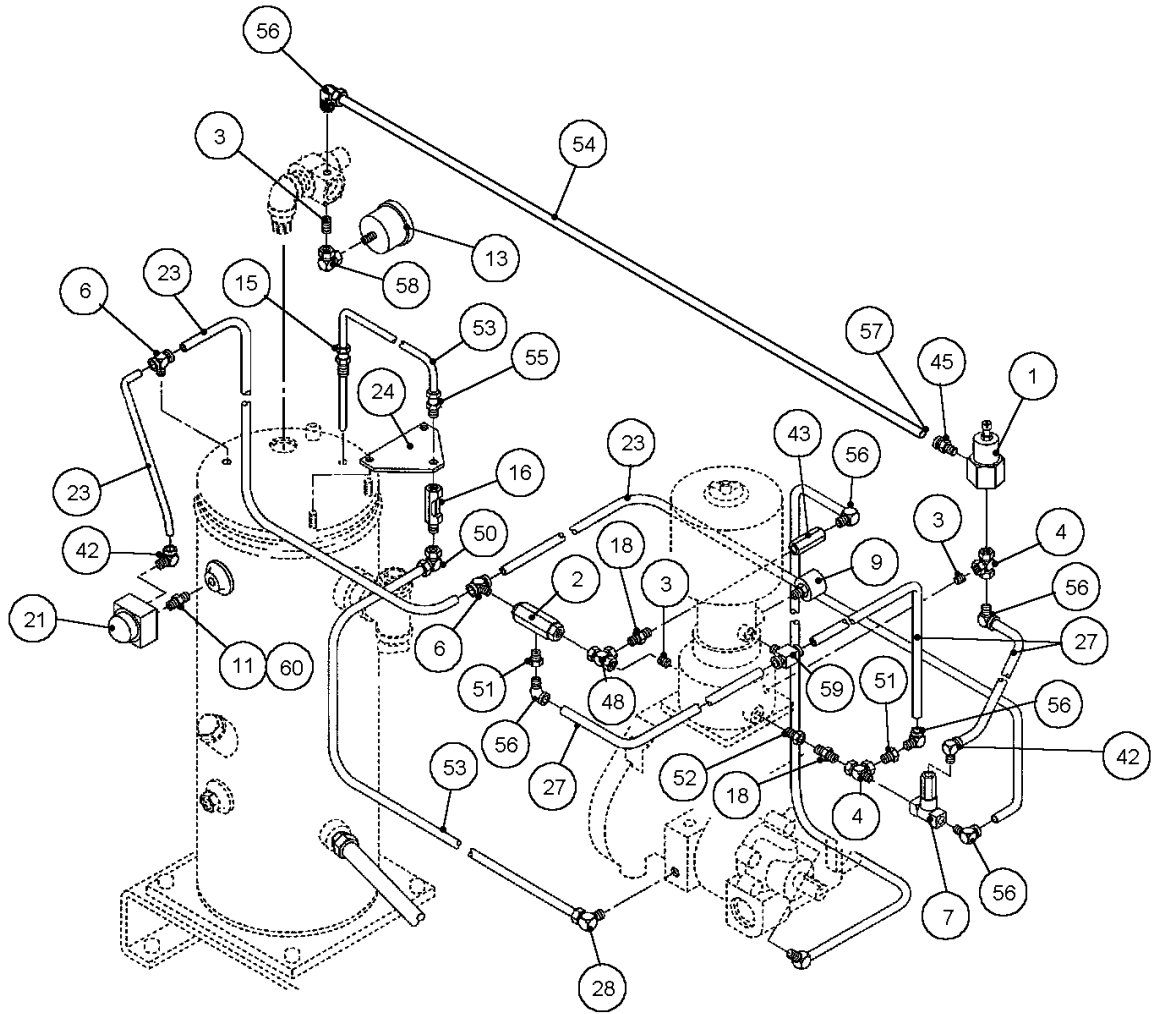
T100119 ECN 46153

PARTS LIST GROUPS AND COMPONENTS

**MODEL
CL20-25-30SS**

PART NUMBERS

GROUP NO. 5 CONTROL PIPING SS			STANDARD		
REF	PART DESCRIPTION	QTY	G33-946		
2	VALVE, BLOW DOWN	1	15-1717		
5	FITTING 1/4 T X 1/4" 90	7	H182-383		
6	FITTING 1/4 T TEE	2	182-817		
8	TUBE, 1/4" BLU	3	55-2640-2		
15	FITTING, COMP 1/4T X 1/4 NPT	1	H182-382-1		
16	GAGE, SIGHT WITH ORIFICE	1	60-628		
18	VALVE, CHECK	3	15-1703		
23	TUBE, 1/4" RED	5	55-2640-1		
24	BRACKET	1	39-7586		
27	TUBE, 1/4" BLACK	3	55-2640		
28	FITTING	1	182-435-12		
40	VALVE, SHUTTLE	1	15-1179		
42	FTG. 1/4T X 1/8 NPT X 90D	6	H182-393		
43	COUPLING NEX 1/4 X 1/4 BRASS	2	182-1073		
45	FTG 1/4T X 1/4 NPT	2	H182-382		
47	FTG. TEE 1/4" BRASS	2	182-947-1		
50	FITTING 1/4T X 1/4 NPT 90°	1	182-901-1		
51	ORIFICE .052	1	54-559		
52	ORIFICE .078	1	54-560		
53	TUBING BUNDYWELD 1/4"	1	55-2633		
55	FTG. 1/4T X 1/4 NPT	1	182-436-12		
57	1/4 X 1/8 REDUCER BUSHING	1	182-1087		
58	1/8 CLOSE NIPPLE	1	182-906-1		
59	INSERT, TUBE	20	182-1100		
60	TUBING BUNDYWELD 1/4"	1	55-2634		



TI00118 ECN 46153

PARTS LIST GROUPS AND COMPONENTS

**MODEL
CL20-25-30CUB**

PART NUMBERS

GROUP NO. 5A CONTROL PIPING			STANDARD		
REF	PART DESCRIPTION	QTY	G33-1291		
1	VALVE, CONTROL PRESSURE REGULATOR REBUILD KIT	1	15-1580-3 Inc. A 220-363-A		
2	VALVE, BLOW DOWN	1	15-1717		
3	NIPPLE, CLOSE 1/4"	4	182-906		
4	FITTING	2	182-947-1		
6	FITTING 1/4 T TEE	6	182-817		
7	VALVE, RETURN AIR BLEED	1	15-1666		
9	INDICATOR, RESTRICTION	1	60-345		
11	FITTING	1	182-1087		
13	GAGE, PRESSURE	1	60-559		
15	FITTING, SPECIAL	1	H182-382-1		
16	GAGE, SIGHT WITH ORIFICE	1	60-628		
18	VALVE, CHECK	2	15-1703		
21	PRESSURE INDICATOR	1	60-471		
23	TUBE, 1/4" RED	3	55-2640-1		
24	BRACKET	1	39-7586		
27	TUBE, 1/4" BLACK	3	55-2640		
28	FITTING	1	182-435-12		
42	FTG. 1/4 X 1/8 NPT X 90°	2	H182-393		
43	COUPLING HEX 1/4 NPT	1	182-1073		
45	FTG. 1/4 X 1/4 NPT	1	H182-382		
48	TEE BRASS 1/4 NPT	1	182-1067		
50	FTG. 1/4 TUBE - 1/4 NPT 90°	1	182-901-1		
51	ORIFICE 1/4 NPT - 1/4 NPT	2	54-559		
52	ORIFICE	1	54-560		
53	TUBING BUNDYWELD 1/4"	1	55-2633		
54	TUBE 1/4" NYLON BLU	3	55-2640-2		
55	FTG. 1/4T X 1/4 NPT	1	182-436-12		
56	TUBE FITTING 1/4T X 1/4 NPT 90° COMP.	6	H182-383		
57	INSERT, TUBE	15	182-1100		
58	FITTING, BRASS 1/4" 90D	1	182-1104		
59	FITTING, TEE 1/4T X 1/8NPT	1	H182-360		
60	NIPPLE, CLOSE 1/8"	1	182-906-1		
61	TUBING BUNDYWELD 1/4"	1	55-2634		

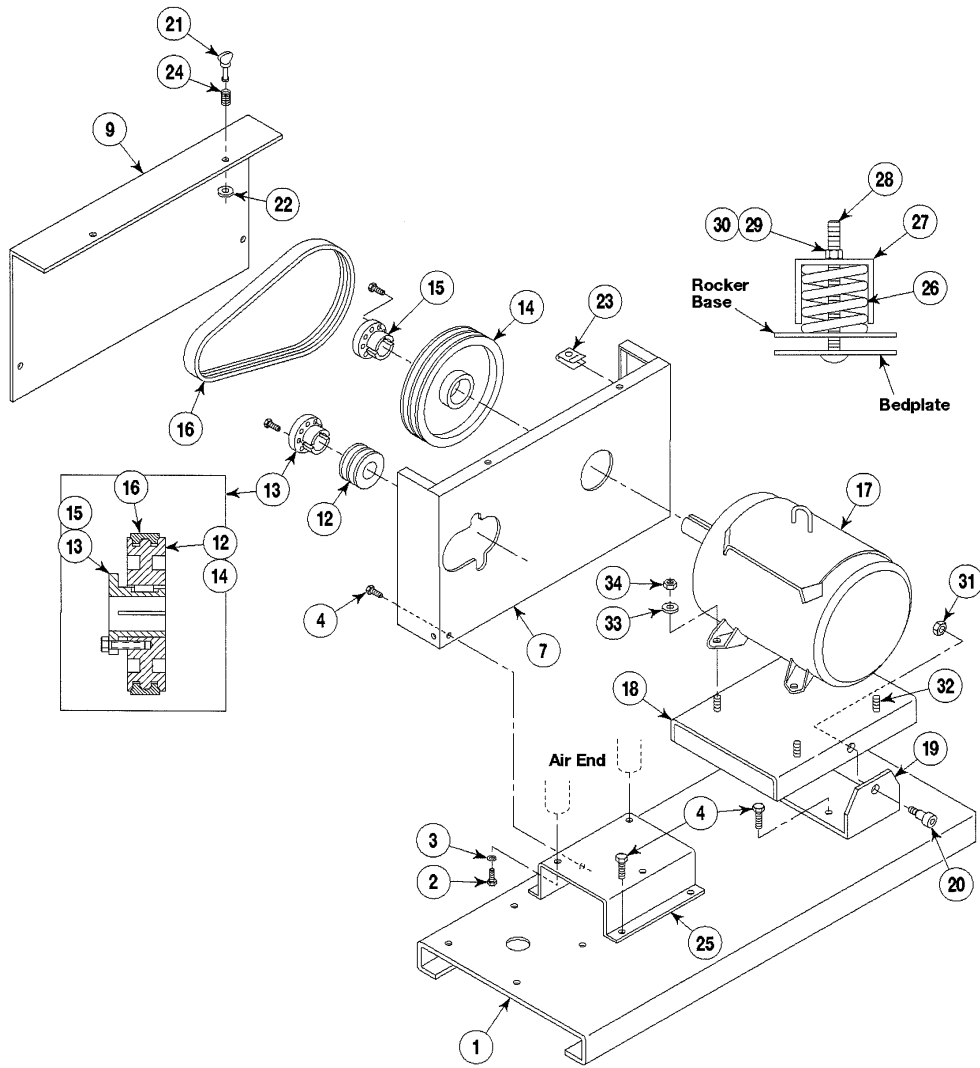
**ADD UPPER RANGE MODULATION
DRAWING TO THIS PAGE**

PARTS LIST GROUPS AND COMPONENTS

MODEL
CL20-25-30SS

PART NUMBERS

GROUP NO. 5B UPPER RANGE MODULATION			STANDARD		
REF	PART DESCRIPTION	QTY	G15-1580-3		
1	FITTING, 1/4" COMP X 1/4" NPT 90D	5	H182-383		
2	FITTING, 1/4" COMP X 1/4" NPT STR.	2	H182-382		
3	FITTING, 1/4" X 1/4" X 1/4" TEE	3	182-817		
4	FITTING, 1/4" COMP X 1/8" NPT 90D	6	H182-393		
5	TEE, 1/4" STREET	1	182-947-1		
6	NIPPLE, 1/4" CLOSE	2	182-906		
7	TEE, 1/4"	2	182-1067		
8	VALVE, CHECK	2	15-1703		
9	ORIFICE, .052	1	54-559		
10	COUPLING, 1/4" HEX	1	182-1073		
11	ORIFICE, .078	1	54-560		
12	VALVE, SHUTTLE	1	15-1179		
13	NIPPLE, 1/8" CLOSE	1	182-906-1		
14	BUSHING, 1/4" TO 1/8" REDUCER	1	182-1087		
15	VALVE, MODULATION	1	15-1580-3		
16	VALVE, BLOW DOWN	1	15-1717		
17	VALVE, SOLENOID	1	15-1932		
18	INSERT, 1/4" BRASS	18	182-1100		
19	TUBING, NYLON 1/4" X .040 BLUE	2	55-2640-2		
20	TUBING, NYLON 1/4" X .040 RED	4	55-2640-1		
21	TUBING, NYLON 1/4" X .040 BLACK	3	55-2640		



2211PB

PARTS LIST GROUPS AND COMPONENTS

MODEL CL20-25-30SS,CUB			PART NUMBERS		
GROUP NO. 6 BED PLATE - DRIVE - ELECTRIC MOTORS - BELT GUARD			CL20	CL25	CL30
REF	PART DESCRIPTION	QTY	G68-3190		
1	BASE, WELDMENT	1	A118-1278	A118-1278	A118-1278
2	SCREW, CAP	3	02-890	02-890	02-890
3	WASHER, LOCK	3	05-52	05-52	05-52
4	SCREW, ROLOK 3/8"	12	34-1512-1	34-1512-1	34-1512-1
7	GUARD, BELT	1	68-3190-1	68-3190-1	68-3190-1
9	COVER, GUARD	1	68-3191-1	68-3191-1	68-3191-1
DRIVE FOR 100 PSI OPERATION 60HZ:					
12	PULLEY (COMPRESSOR)	1	36-1292-6	36-1292-9	36-1300-1
13	BUSHING, PULLEY	1	132-251	132-251	132-198-6
14	PULLEY (MOTOR)	1	36-1292-18	36-1292-21	36-1299-7
15	BUSHING, PULLEY	1	132-251-1	132-251-2	132-251-2
16	BELT	1	41-629-7	41-629-11	41-641-5
DRIVE FOR 110 PSI OPERATION 60HZ:					
12	PULLEY (COMPRESSOR)	1	36-1292-6	36-1292-11	36-1299-14
13	BUSHING, PULLEY	1	132-251	132-251	132-251
14	PULLEY (MOTOR)	1	36-1292-17	36-1292-21	36-1299-7
15	BUSHING, PULLEY	1	132-251-1	132-251-2	132-251-2
16	BELT	1	41-629-2	41-629-11	41-641-5
DRIVE FOR 125 PSI OPERATION 60HZ:					
12	PULLEY (COMPRESSOR)	1	36-1292-6	36-1292-13	36-1300-1
13	BUSHING, PULLEY	1	132-251	132-251	132-198-6
14	PULLEY (MOTOR)	1	136-1292-16	36-1292-21	36-1299-5
15	BUSHING, PULLEY	1	132-251-1	132-251-2	132-251-2
16	BELT	1	41-629-2	41-629-11	41-641
DRIVE FOR 150 PSI OPERATION 60HZ:					
12	PULLEY (COMPRESSOR)	1	36-1292-15	36-1292-14	36-1292-14
13	BUSHING, PULLEY	1	132-251	132-251	132-251
14	PULLEY (MOTOR)	1	36-1292-18	36-1292-20	36-1292-22
15	BUSHING, PULLEY	1	132-251-1	132-251-2	132-251-2
16	BELT	1	41-629-3	41-629-4	41-629-10
DRIVE FOR 100 PSI OPERATION 50HZ:					
12	PULLEY (COMPRESSOR)	1	36-1292-6	36-1300-5	36-1300-4
13	BUSHING, PULLEY	1	132-251	132-198-6	132-198-6
14	PULLEY (MOTOR)	1	36-1292-20	36-1299-5	36-1299-7
15	BUSHING, PULLEY	1	132-251-1	132-251-2	132-251-2
16	BELT	1	41-629-2	41-641	41-641-4
DRIVE FOR 110 PSI OPERATION 50HZ:					
12	PULLEY (COMPRESSOR)	1	36-1292-8	36-1300-6	36-1300-5
13	BUSHING, PULLEY	1	132-251	132-198-6	132-198-6
14	PULLEY (MOTOR)	1	36-1292-20	36-1299-7	36-1299-7
15	BUSHING, PULLEY	1	132-251-1	132-251-2	132-251-2
16	BELT	1	41-629-4	41-641-5	41-641-5
DRIVE FOR 125 PSI OPERATION 50HZ:					
12	PULLEY (COMPRESSOR)	1	36-1292-10	36-1292-10	36-1300-5
13	BUSHING, PULLEY	1	132-251	132-251	132-198-6
14	PULLEY (MOTOR)	1	36-1292-20	36-1292-22	36-1299-7
15	BUSHING, PULLEY	1	132-251-1	132-251-2	132-251-2
16	BELT	1	41-629-4	41-629-5	41-641-4
DRIVE FOR 150 PSI OPERATION 50HZ:					
12	PULLEY (COMPRESSOR)	1	36-1292-10	36-1292-15	36-1300-6
13	BUSHING, PULLEY	1	132-251	132-251	132-198-6
14	PULLEY (MOTOR)	1	36-1292-18	36-1292-22	36-1299-7

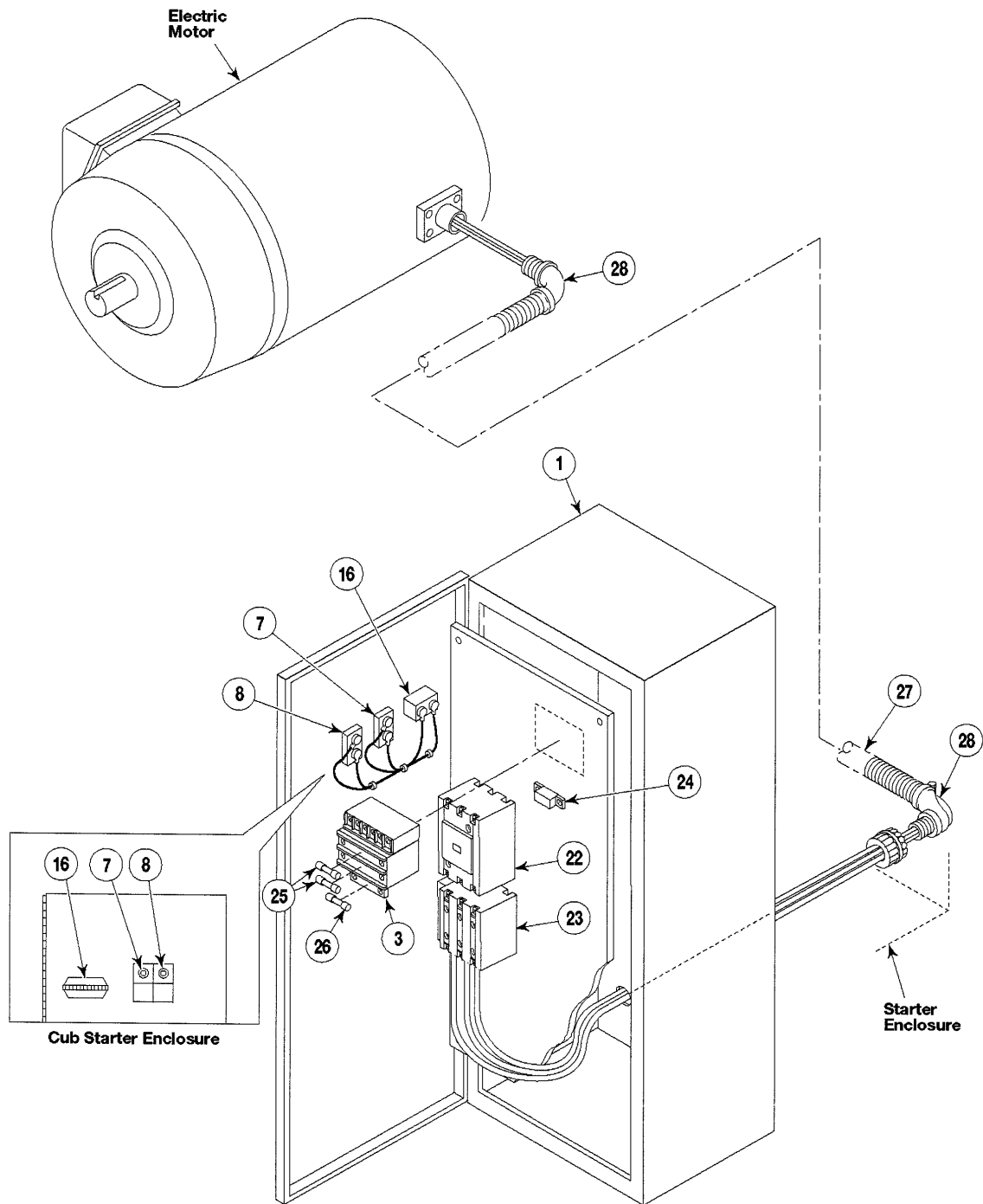
15	BUSHING, PULLEY	1	132-251-1	132-251-2	132-251-2
16	BELT	1	41-629-7	41-629-10	41-641-5

THIS PAGE INTENTIONALLY BLANK.

PARTS LIST GROUPS AND COMPONENTS

MODEL			PART NUMBERS		
CL20-25-30SS,CUB			CL20	CL25	CL30
GROUP NO. 6 BED PLATE - DRIVE -					
ELECTRIC MOTORS - BELT GUARD CONTINUED					
REF	PART DESCRIPTION	QTY			
ELECTRIC MOTOR 200 VOLT 60HZ:					
17	MOTOR, O.D.P. STANDARD	1	107-1036-12	107-1036-6	107-1036
17	MOTOR, T.E.F.C. STANDARD	1	107-1037-12	107-1037-6	107-1037
17	MOTOR, O.D.P. HIGH EFFICIENCY	1	107-1038-12	107-1038-6	107-1038
17	MOTOR, T.E.F.C. HIGH EFFICIENCY	1	107-1039-12	107-1039-6	107-1039
ELECTRIC MOTOR 230/460 VOLT 60HZ:					
17	MOTOR, O.D.P. STANDARD	1	107-1036-13	107-1036-7	107-1036-1
17	MOTOR, T.E.F.C. STANDARD	1	107-1037-13	107-1037-7	107-1037-1
17	MOTOR, O.D.P. HIGH EFFICIENCY	1	107-1038-13	107-1038-7	107-1038-1
17	MOTOR, T.E.F.C. HIGH EFFICIENCY	1	107-1039-13	107-1039-7	107-1039-1
ELECTRIC MOTOR 575 VOLT 60HZ:					
17	MOTOR, O.D.P. STANDARD	1	107-1036-14	107-1036-8	107-1036-2
17	MOTOR, T.E.F.C. STANDARD	1	107-1037-14	107-1037-8	107-1037-2
17	MOTOR, O.D.P. HIGH EFFICIENCY	1	107-1038-14	107-1038-8	107-1038-2
17	MOTOR, T.E.F.C. HIGH EFFICIENCY	1	107-1039-14	107-1039-8	107-1039-2
ELECTRIC MOTOR 220/440 VOLT 50HZ:					
17	MOTOR, O.D.P. STANDARD	1	107-1036-15	107-1036-9	107-1036-3
17	MOTOR, T.E.F.C. STANDARD	1	107-1037-15	107-1037-9	107-1037-3
17	MOTOR, O.D.P. HIGH EFFICIENCY	1	107-1038-15	107-1038-9	107-1038-3
17	MOTOR, T.E.F.C. HIGH EFFICIENCY	1	107-1039-15	107-1039-9	107-1039-3
ELECTRIC MOTOR 380 VOLT 50HZ:					
17	MOTOR, O.D.P. STANDARD	1	107-1036-16	107-1036-10	107-1036-4
17	MOTOR, T.E.F.C. STANDARD	1	107-1037-16	107-1037-10	107-1037-4
17	MOTOR, O.D.P. HIGH EFFICIENCY	1	107-1038-16	107-1038-10	107-1038-4
17	MOTOR, T.E.F.C. HIGH EFFICIENCY	1	107-1039-16	107-1039-10	107-1039-4
ELECTRIC MOTOR 415 VOLT 50HZ:					
17	MOTOR, O.D.P. STANDARD	1	107-1036-17	107-1036-11	107-1036-5
17	MOTOR, T.E.F.C. STANDARD	1	107-1037-17	107-1037-11	107-1037-5
17	MOTOR, O.D.P. HIGH EFFICIENCY	1	107-1038-17	107-1038-11	107-1038-5
17	MOTOR, T.E.F.C. HIGH EFFICIENCY	1	107-1039-17	107-1039-11	107-1039-5
18	BASE, MOTOR	1	39-7935	39-7935	39-7935
19	BASE BRACKET	1	222-5514	222-5514	222-5514
20	SCREW SHOULDER	2	34-1583	34-1583	34-1583
21	THUMB SCREW	4	34-1584	34-1584	34-1584
22	RETAINING WASHER	4	53-805	53-805	53-805
23	NUT CLIP	4	53-806	53-806	53-806
24	SPRING	4	24-1095	24-1095	24-1095
25	BRACKET, AIREND MTG.	1	39-7934	39-7934	39-7934
26	SPRING 4" X 1.16 DIA.	1	24-1096	24-1096	24-1096
27	SPRING HOLDER	1	63-471	63-471	63-471
28	BOLT CARRAIGE	1	020-100	020-100	020-100
29	NUT, HEX	2	04-103-1	04-103-1	04-103-1
30	WASHER, FLAT 3/8	1	06-4-1	06-4-1	06-4-1
31	NUT 3/8 - 16 NYLOK	2	53-766-1	53-766-1	53-766-1
32	CAPSCREW	4	02-71	02-71	02-71
33	LOCK WASHER	4	05-53	05-53	05-53

34	NUT	4	04-104-1	04-104-1	04-104-1
35	SCREW, ROLOK 1/4"	5	34-1512-4	34-1512-4	34-1512-4



PARTS LIST GROUPS AND COMPONENTS

MODEL
CL20-25-30SS,CUB

PART NUMBERS

GROUP NO. 7 STARTER ENCLOSURE			CL20	CL25	CL30		
REF	PART DESCRIPTION	QTY					
1	ENCLOSURE, STARTER (CUB 60HZ)	1	68-3199	68-3199	68-3199		
1	ENCLOSURE, STARTER (CUB 50HZ)	1	68-3201	68-3201	68-3201		
1	ENCLOSURE, STARTER (SS, AUTO DUAL 60HZ)	1	68-3199-1	68-3199-1	68-3199-1		
1	ENCLOSURE, STARTER (SS, AUTO DUAL 50HZ)	1	68-3201-1	68-3201-1	68-3201-1		
2	SUB-PANEL, BARE	1	220-365	220-365	220-365		
3	TRANSFORMER 60 HZ	1	220-365-1	220-365-1	220-365-1		
3	TRANSFORMER 50 HZ	1	220-365-2	220-365-2	220-365-2		
4	TERMINAL BLOCK (CUB)	1	220-365-3	220-365-3	220-365-3		
5	TERMINAL BLOCK (SS, AUTO DUAL)	1	220-365-4	220-365-4	220-365-4		
6	GROUND BAR	1	220-365-5	220-365-5	220-365-5		
7	BUTTON, SWITCH, "STOP" (CUB)	1	220-365-12	220-365-12	220-365-12		
8	BUTTON, SWITCH, "START" (CUB)	1	220-365-8	220-365-8	220-365-8		
9	TRANSIENT SURP. (SS, AUTO DUAL)	1	220-365-6	220-365-6	220-365-6		
10	LATCH, DOOR	2	220-365-7	220-365-7	220-365-7		
11	NC CONTACT BLOCK, START (CUB)	1	220-365-9	220-365-9	220-365-9		
12	NO CONTACT BLOCK, STOP (CUB)	1	220-365-13	220-365-13	220-365-13		
13	NAMEPLATE "START" (CUB)	1	220-365-14	220-365-14	220-365-14		
14	NAMEPLATE "STOP" (CUB)	1	220-365-15	220-365-15	220-365-15		
15	GASKET, HOURMETER (CUB)	1	220-365-11	220-365-11	220-365-11		
16	HOURMETER (CUB)	1	220-365-10	220-365-10	220-365-10		
17	GASKET, DOOR	1	220-365-16	220-365-16	220-365-16		
18	AUX, CONTACT (SOME APPLICATIONS)	1	220-365-17	220-365-17	220-365-17		
	ACROSS THE LINE STARTERS						
	200 VOLT 50HZ-208 VOLT 60HZ:						
22	CONTACTOR	1	76-1325-2	76-1325-3	76-1325-5		
23	OVERLOAD RELAY	1	76-1325-1	76-1325-2	76-1325-3		
24	HEATER PACK	1	76-1327-8	76-1327-13	76-1327-14		
25	FUSE, PRIMARY	2	139-275-6	139-275-6	139-275-6		
26	FUSE, SECONDARY	1	139-244-9	139-244-9	139-244-9		
	220 VOLT 50HZ-230 VOLT 60HZ:						
22	CONTACTOR	1	76-1325-2	76-1325-2	76-1325-3		
23	OVERLOAD RELAY	1	76-1325-1	76-1325-1	76-1325-2		
24	HEATER PACK	1	76-1327-7	76-1327-8	76-1327-13		
25	FUSE, PRIMARY	2	139-275-6	139-275-6	139-275-6		
26	FUSE, SECONDARY	1	139-244-9	139-244-9	139-244-9		
	380 VOLT 50HZ:						
22	CONTACTOR	1	76-1325-2	76-1325-2	76-1325-2		
23	OVERLOAD RELAY	1	76-1325-1	76-1325-1	76-1325-1		
24	HEATER PACK	1	76-1327-5	76-1327-6	76-1327-7		
25	FUSE, PRIMARY	2	139-275-6	139-275-6	139-275-6		
26	FUSE, SECONDARY	1	139-244-9	139-244-9	139-244-9		
	440 VOLT 50HZ-460 VOLT 60HZ:						
22	CONTACTOR	1	76-1325-1	76-1325-2	76-1325-2		
23	OVERLOAD RELAY	1	76-1325	76-1325-1	76-1325-1		
24	HEATER PACK	1	76-1327-4	76-1327-5	76-1327-6		
25	FUSE, PRIMARY	2	139-275-6	139-275-6	139-275-6		
26	FUSE, SECONDARY	1	139-244-9	139-244-9	139-244-9		
	575 VOLT 60HZ:						
22	CONTACTOR	1	76-1325-1	76-1325-1	76-1325-2		
23	OVERLOAD RELAY	1	76-1325	76-1325	76-1325-1		
24	HEATER PACK	1	76-1327-4	76-1327-4	76-1327-5		
25	FUSE, PRIMARY	2	139-275-3	139-275-3	139-275-3		

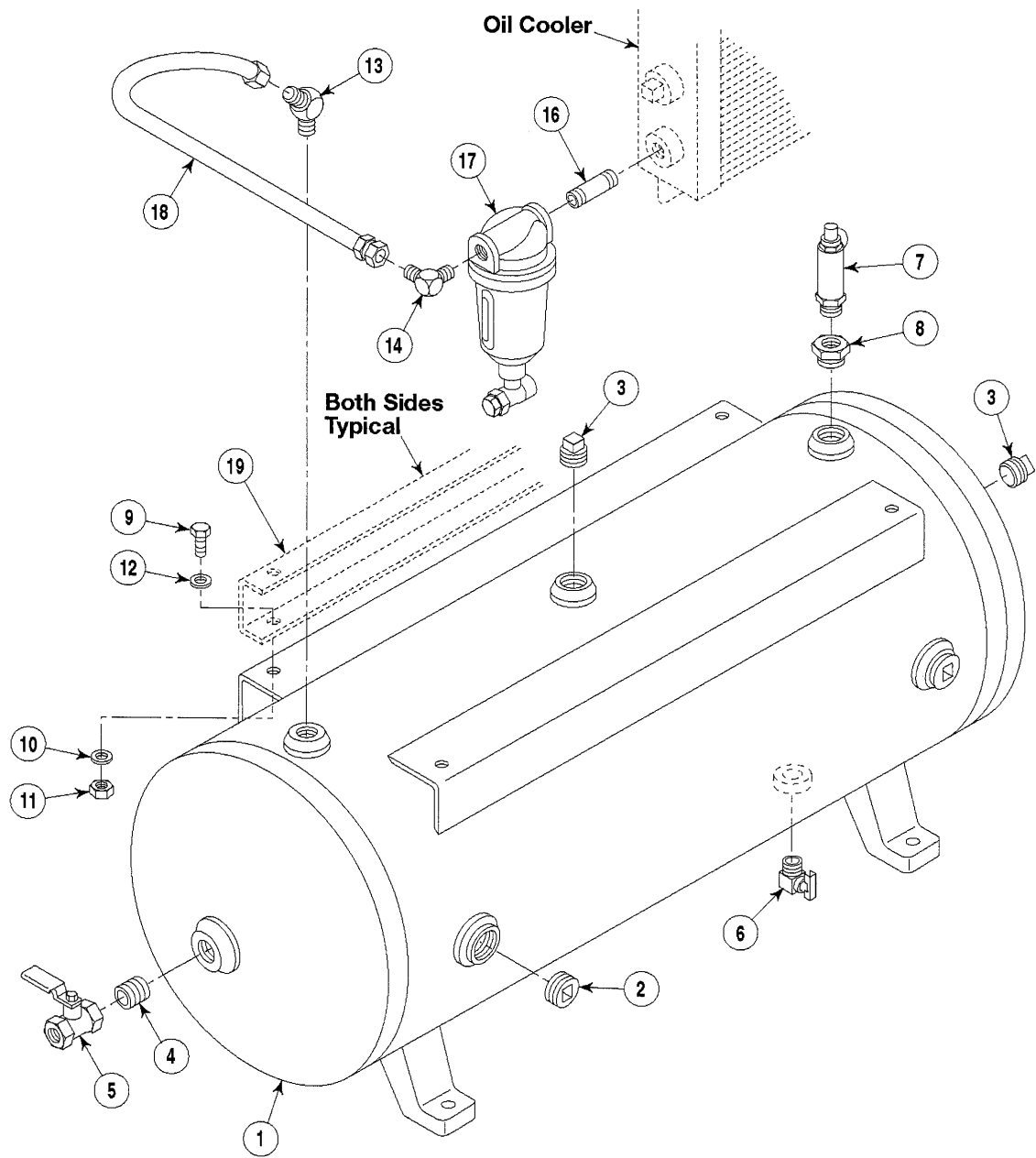
THIS PAGE LEFT INTENTIONALLY BLANK.

PARTS LIST GROUPS AND COMPONENTS

MODEL
CL20-25-30SS,CUB

PART NUMBERS

GROUP NO. 7 STARTER ENCLOSURE CONTINUED			CL20	CL25	CL30		
REF	PART DESCRIPTION	QTY					
STAR DELTA STARTERS							
200 VOLT 50HZ-208 VOLT 60HZ:							
22	CONTACTOR	1	76-1325-2	76-1325-2	76-1325-2		
23	OVERLOAD RELAY	1	76-1325-1	76-1325-1	76-1325-1		
24	HEATER PACK	1	76-1327-6	76-1327-7	76-1327-7		
25	FUSE, PRIMARY	2	139-275-6	139-275-6	139-275-6		
26	FUSE, SECONDARY	1	139-244-9	139-244-9	139-244-9		
220 VOLT 50HZ-230 VOLT 60HZ:							
22	CONTACTOR	1	76-1325-2	76-1325-2	76-1325-2		
23	OVERLOAD RELAY	1	76-1325-1	76-1325-1	76-1325-1		
24	HEATER PACK	1	76-1327-5	76-1327-6	76-1327-7		
25	FUSE, PRIMARY	2	139-275-6	139-275-6	139-275-6		
26	FUSE, SECONDARY	1	139-244-9	139-244-9	139-244-9		
380 VOLT 50HZ:							
22	CONTACTOR	1	76-1325-1	76-1325-1	76-1325-2		
23	OVERLOAD RELAY	1	76-1325	76-1325	76-1325-1		
24	HEATER PACK	1	76-1327-3	76-1327-4	76-1327-4		
25	FUSE, PRIMARY	2	139-275-6	139-275-6	139-275-6		
26	FUSE, SECONDARY	1	139-244-9	139-244-9	139-244-9		
440 VOLT 50HZ-460 VOLT 60HZ:							
22	CONTACTOR	1	76-1325-1	76-1325-1	76-1325-1		
23	OVERLOAD RELAY	1	76-1325	76-1325	76-1325		
24	HEATER PACK	1	76-1327-3	76-1327-3	76-1327-4		
25	FUSE, PRIMARY	2	139-275-6	139-275-6	139-275-6		
26	FUSE, SECONDARY	1	139-244-9	139-244-9	139-244-9		
575 VOLT 60HZ:							
22	CONTACTOR	1	76-1325-1	76-1325-1	76-1325-1		
23	OVERLOAD RELAY	1	76-1325	76-1325	76-1325		
24	HEATER PACK	1	76-1327-2	76-1327-3	76-1327-3		
25	FUSE, PRIMARY	2	139-275-3	139-275-3	139-275-3		
26	FUSE, SECONDARY	1	139-244-9	139-244-9	139-244-9		



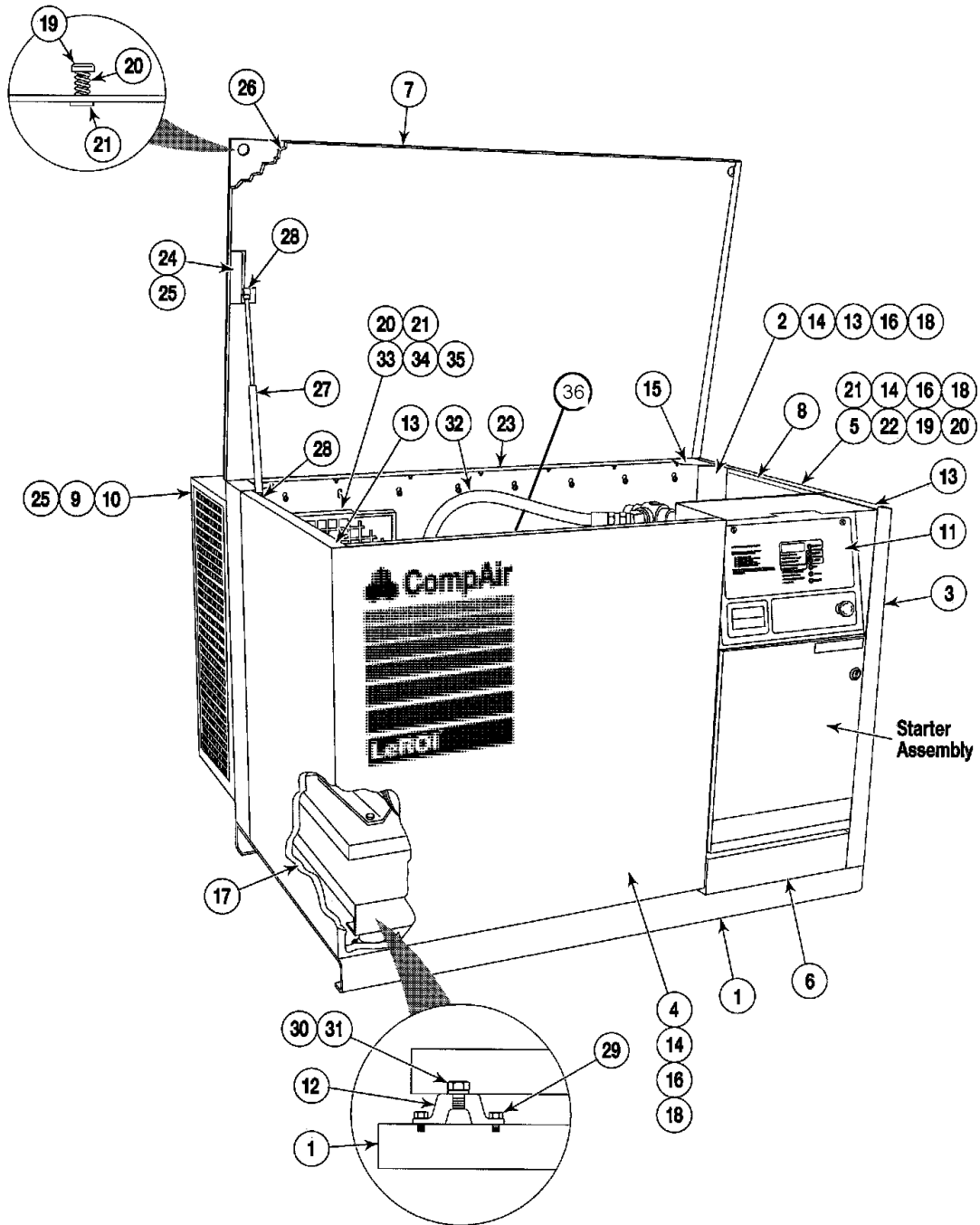
2264PB

PARTS LIST GROUPS AND COMPONENTS

**MODEL
CL20-25-30SS,CUB**

PART NUMBERS

			STANDARD
GROUP NO. 8 AIR RECEIVER - MOISTURE SEPARATOR			
			G69-833
REF	PART DESCRIPTION	QTY	G43-932
			1G69-643-2
1	RECEIVER, AIR 120 GAL	1	69-833
2	PLUG, PIPE	2	011-209
3	PLUG, PIPE	2	011-207
4	NIPPLE, PIPE	1	013-26
5	VALVE, SERVICE	1	H15-1292-2
6	VALVE, DRAIN	1	H15-689
7	VALVE, PRESSURE RELIEF 200 PSI	1	15-1949
8	BUSHING, PIPE	1	013-1077
9	SCREW, CAP	8	02-71
10	WASHER, LOCK	8	05-53
11	NUT	8	04-105
12	WASHER, FLAT	8	06-6
13	ADAPTOR J1C - NPT 45°	1	182-433-9
14	ADAPTOR J1C - NPT 90°	1	182-434-12
16	NIPPLE (USED ONLY WITH #17)	1	013-153
17	FILTER, MOISTURE (OPTIONAL)	1	43-932
18	HOSE ASSEMBLY	1	A73-1049
19	RAIL	2	39-7449
	200 GAL RECEIVER		
1	RECEIVER, AIR 200 GAL	1	69-643-2
7	VALVE, PRESSURE RELIEF 170 PSI	1	15-1270-6
13	ADAPTOR 45° NPT X J1C	1	182-433-1
14	ADAPTOR NPT X J1C	1	182-422-5



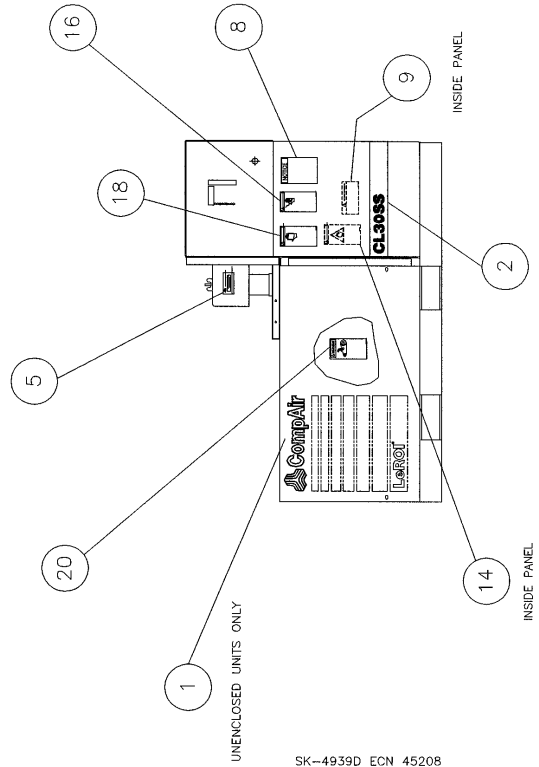
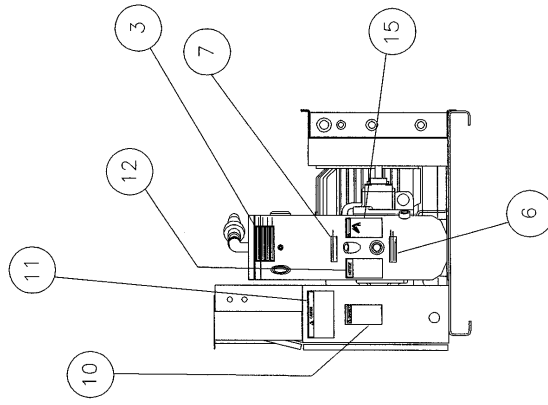
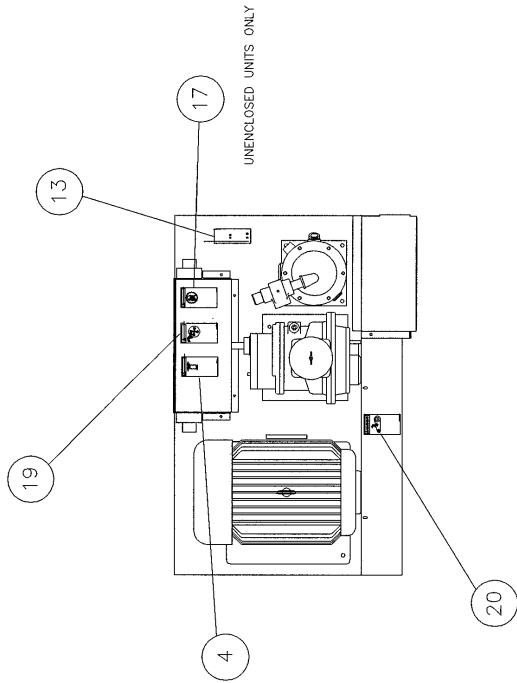
T100130 ECN 45053

PARTS LIST GROUPS AND COMPONENTS

**MODEL
CL20-25-30SS,CUB**

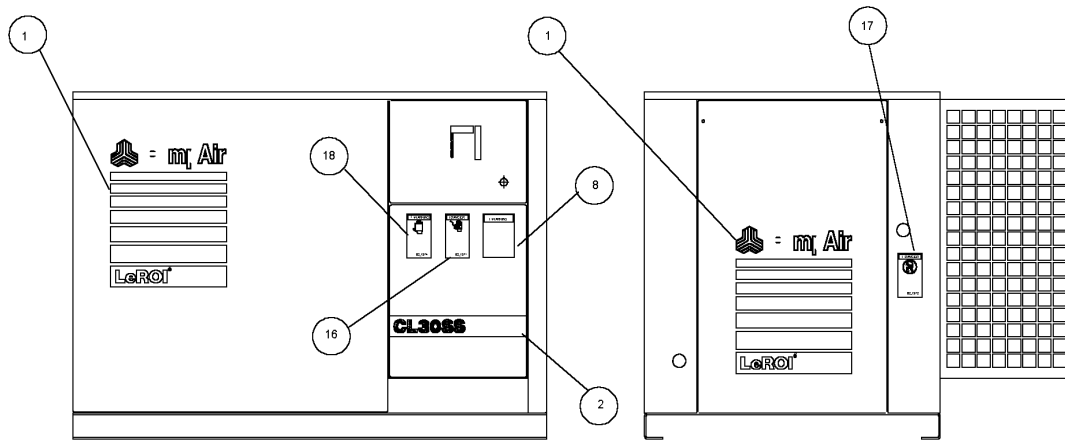
PART NUMBERS

GROUP NO. 9 HOUSING ASSEMBLY			STANDARD		
REF	PART DESCRIPTION	QTY	G68-3197 (SS) G68-3197-1 (CUB)		
1	BASE, ENCLOSURE	1	A118-1279		
2	BACK, PANEL	1	68-2483-1		
3	POST, RIGHT FRONT	1	68-2482-1		
4	PANEL, FRONT END	1	68-2484-1		
5	PANEL, SERVICE END	1	68-2486-1		
6	PANEL, BOTTOM FRONT	1	68-2481-1		
7	PANEL, TOP	1	68-2485-1		
8	RAIL, SERVICE END	1	68-2492-1		
9	SOUND BOX ENCLOSURE	2	68-2490-1		
10	SOUND BOX COVER	2	68-2491-1		
11	COMPAIRTROLLER ASSEMBLY (SS)	1	G76-1296		
11	PANEL, FILLER (CUB)	1	151-512-1		
12	VIBRATION ISOLATOR	6	74-264		
13	NUT CLIP	6	53-806		
14	PIN, LOCATING	7	17-1317		
15	GUSSET, REAR PANEL	2	39-7464		
16	NUT, LOCATING PIN	15	04-101-1		
17	INSULATION, FOAM 1"	17 3sq	124-234		
18	LOCK WASHER, LOCATING PIN	15	05-49		
19	SCREW, PANEL RETAINER	6	34-1588-2		
21	SCREW RETAINER	4	53-805		
22	INSULATION, FOAM 1"	5 sq	124-234		
23	HINGE	1	39-7440		
24	SUPPORT, GAS STRUT	1	39-7441		
25	RIVET, 3/16 X 1/2	20	126-31-1		
26	INSULATION, FOAM 1"	12 8sq	124-234		
27	CYLINDER, GAS	1	1-818-4		
28	STUD, CYLINDER MTG.	2	105-591		
29	SCREW SELF TAPPING	14	34-1512-4		
30	CAPSCREW 1/2 - 20 X	6	02-569		
31	LOCKWASHER 1/2"	6	05-53-1		
32	SHOULDER SCREW	24	34-1592		
33	FILTER, CABINET	1	43-1063		
34	FILTER HOLDER	1	39-7943-1		
35	THUMB SCREW	2	34-1584		
36	SUPPORT COOLER TO REAR PANEL	1	39-7957		
37	SCREW, CAP 1/4" -20 X 3/4"	8	02-4		



SK-4939D ECN 45208
JCH 7/97

THIS PAGE INTENTIONALLY BLANK.



T100129 ECN 45053

PARTS LIST GROUPS AND COMPONENTS

MODEL
CL20-25-30SS,CUB

PART NUMBERS

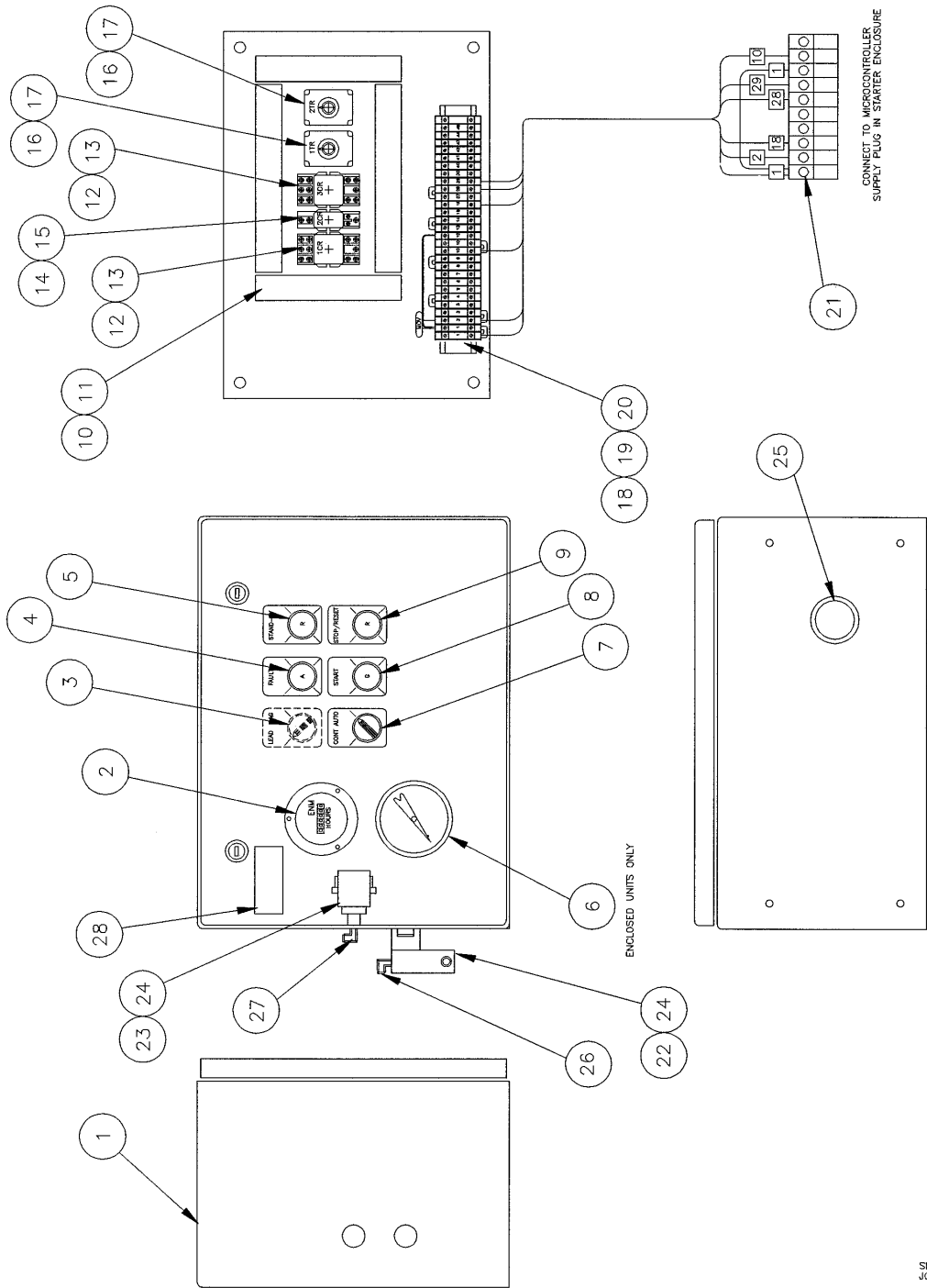
GROUP NO. 10 DECALS AND LABELS			STANDARD	
REF	PART DESCRIPTION	QTY	G62-1351 (SS)	G62-1352 (CUB)
1	LEROI BARS	2	62-1359	
2	CL30SS	1	62-1360	
2	CL25SS	1	62-1360-1	
2	CL20SS	1	62-1360-2	
2	CL30CUB	1	62-1360-4	
2	CL25CUB	1	62-1360-5	
2	CL20CUB	1	62-1360-6	
3	OPERATING PSI	1	62-1118	
4	REVERSE ROTATION	1	62-1373	
5	AIR FILTER ELEMENT	1	62-1135	
6	LOW OIL LEVEL	1	62-1108	
7	OIL FILL LEVEL	1	62-1109	
8	AUTO RESTART (MICROCONTROLLER ONLY)	1	62-1376	
9	GROUNDING INFO	1	62-742	
10	DISCONNECT POWER	1	62-1375	
11	CAUTION LEROI PARTS	1	62-1364	
12	NOTICE LUBRICANTS	1	62-1365	
13	LUBRICANT TYPE	1	62-1342	
14	WARNING FUSES	1	62-1368	
15	PRESSURIZED HOT OIL	1	62-1370	
16	HIGH VOLTAGE	1	62-1371	
17	NOT BREATHING AIR	1	62-1372	
18	READ MANUAL	1	62-1374	
19	FAN WARNING	1	62-1377	
20	BELT WARNING	2	62-1378	

PARTS LIST GROUPS AND COMPONENTS

MODEL
CL20-25-30SS,CUB

PART NUMBERS

GROUP NO. 11 MICROCONTROLLER ASSEMBLY			STANDARD	
REF	PART DESCRIPTION	QTY	G76-1296 NEMA 1	G76-1300 NEMA 4
1	ENCLOSURE MICROCONTROLLER (NEMA 1)	1	A68-3193	
1	ENCLOSURE MICROCONTROLLER (NEMA 4)	1	68-2503	
2	DOOR ASSY MICROCONTROLLER (NEMA 1; N/A NEMA 4)	1	39-7439	
3	MICROCONTROLLER ASSY	1	76-1300	
4	TRANSFORMER 115/24V 30VA	1	185-26	
5	TRANSDUCER, PRESSURE 232 PSIG	2	76-1306	
6	DECAL, MICROCONTROLLER	1	62-1357	
7	PUSH BUTTON, EMERGENCY STOP	1	76-1301	
8	DECAL, SERIAL NO.	1	62-1382	
9	VALVE, SOL. 1/8" 3 WAY N/O 120 VAC	1	15-1932	
10	BUSHING, 1/2" NPT	1	188-129-1	
11	SWITCH, VAC 20" HZ0 N/C	1	76-1303	
12	HARNESS, WIRE ASSY	1	61-1040	
13	TEMP. PROBE KTY 10-6	1	76-1302	
14	SWITCH, DELTA-P OIL FILTER	1	76-1304	
15	BULKHEAD COUPLING 1/4 X 3/4	3	182-1098	
16	TERMINAL MALE 1/4" INSUL	5	121-263	
17	TERMINAL FEMALE 1/4" INSUL	5	121-262	
18	SPACER #8 X 1/4"	6	22-1443	
20	SWIVEL 1/4 TUBE X 1/8 MNPT X 90D	3	H182-393	
21	SWIVEL 1/4 TUBE X 1/4 MNPT X 90D	1	H182-383	
22	BUSHING 1/4 X 1/8	3	013-1061-3	
23	GROMMET 1-3/16 ID	1	150-70	
24	SCREW PAN HEAD 8-23 X 1/2"	5	34-1585	
25	NUT HEX #8-32	5	04-11	
26	SCREW ROUND HEAD 10-32 X 1/2	2	34-1586	
27	CONNECTOR LIQUID TITE 3/8 X 90D	2	182-1069-1	
28	CONNECTOR LIQUID TITE 3/8 STR	2	182-928-1	
29	CONDUIT PVC 3/8"	8	55-2447-1	
30	SCREW 1/4 - 20 3/4	4	02-4-1	
31	NUT 1/4 - 20	4	04-101-1	
32	SB CONDUIT BODY 1/2"	2	188-128	
33	SOUTHCO KNURL SCREW	2	34-1587	
34	SOUTHCO CLIP	2	53-806	
35	SOUTHCO RETAINER	2	53-805	
36	SOUTHCO SPRING	2	24-1095	
37	PRESSURE SWITCH (NOT SHOWN) (MICROCONTROLLER BYPASS OPTION)	1	76-1263	



NOTE: AUTO/DUAL OPTION MUST USE UPPER RANGE MODULATION AND SS STARTER ENCLOSURE

SK-4944D ECN 45208
JCH 7/97

PARTS LIST GROUPS AND COMPONENTS

MODEL
CL20-25-30SS,CUB

PART NUMBERS

GROUP NO. 11A AUTO-DUAL CONTROL			STANDARD		
REF	PART DESCRIPTION	QTY	G68-2527		
1	ENCLOSURE	1	68-2527		
2	HOURMETER	1	Inc. A to B		
3	OPERATOR SELECTOR		220-383-4		
4	LIGHT		Consult Factory		
5	LIGHT		Consult Factory		
6	PRESSURE GAUGE	1	Consult Factory		
7	OPERATOR SELECTOR	1	76-1374		
8	OPERATOR BUTTON	1	76-1099-1		
	CONTACT BLOCK	1	76-1173-1		
9	OPERATOR BUTTON		Consult Factory		
10	PANDUIT WIREWAY	4	Consult Factory		
11	WIREWAY CAP	4	Consult Factory		
12	RELAY CR1/3	2	220-383-2		
13	SOCKET		Consult Factory		
14	RELAY CR2	1	220-383-3		
15	SOCKET BASE		Consult Factory		
16	TIMER RELAY TR1	1	220-383		
	TIMER RELAY TR2	1	220-383-1		
17	RELAY BASE	2	220-383-5		
18	TERMINAL BLOCK		Consult Factory		
19	END CAP	2	Consult Factory		
20	DIN RAIL	1	Consult Factory		
21	CONNECTOR HARNESS	1	Consult Factory		
22	SOLENOID VALVE	1	15-1932		
23	PRESURE SWITCH	1	76-1263		
24	LOCK NUT	3	53-261-1		
25	GROMMET	1	150-70		
26	TUBE FITTING	3	H182-393		
27	TUBE FITTING	1	H182-383		
28	DECAL SERIAL #	1	62-1382		
29	PIPE NIPPLE	1	013-4-3		

THIS PAGE LEFT INTENTIONALLY BLANK.

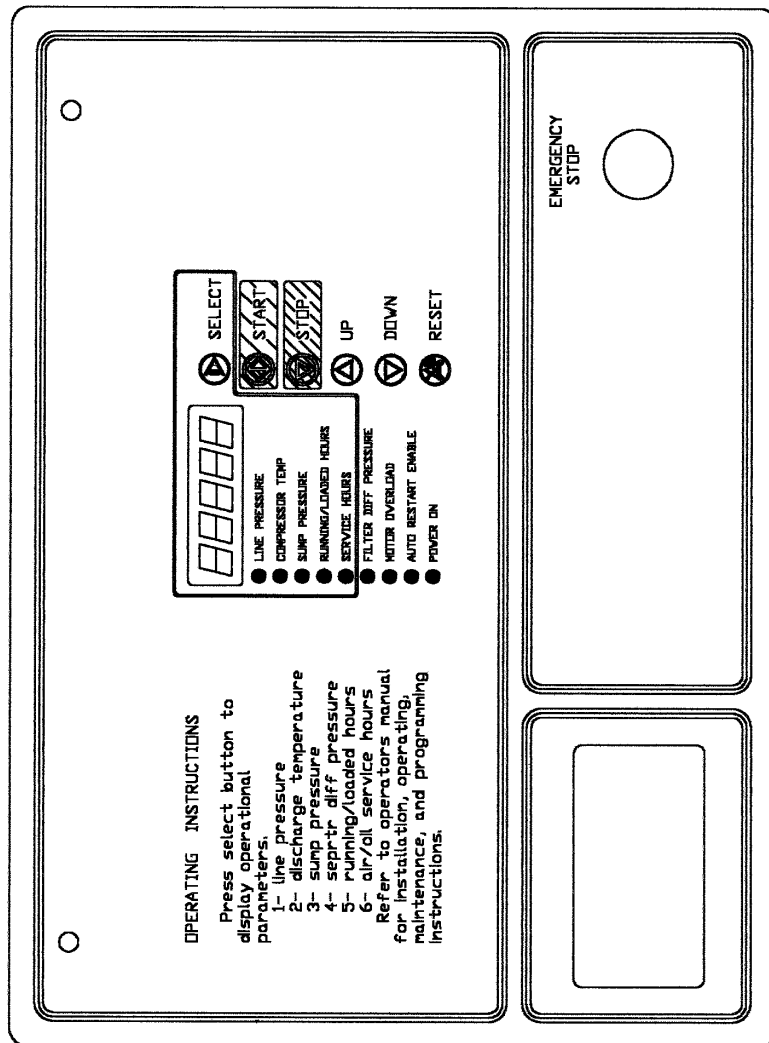
CompAir LeROI

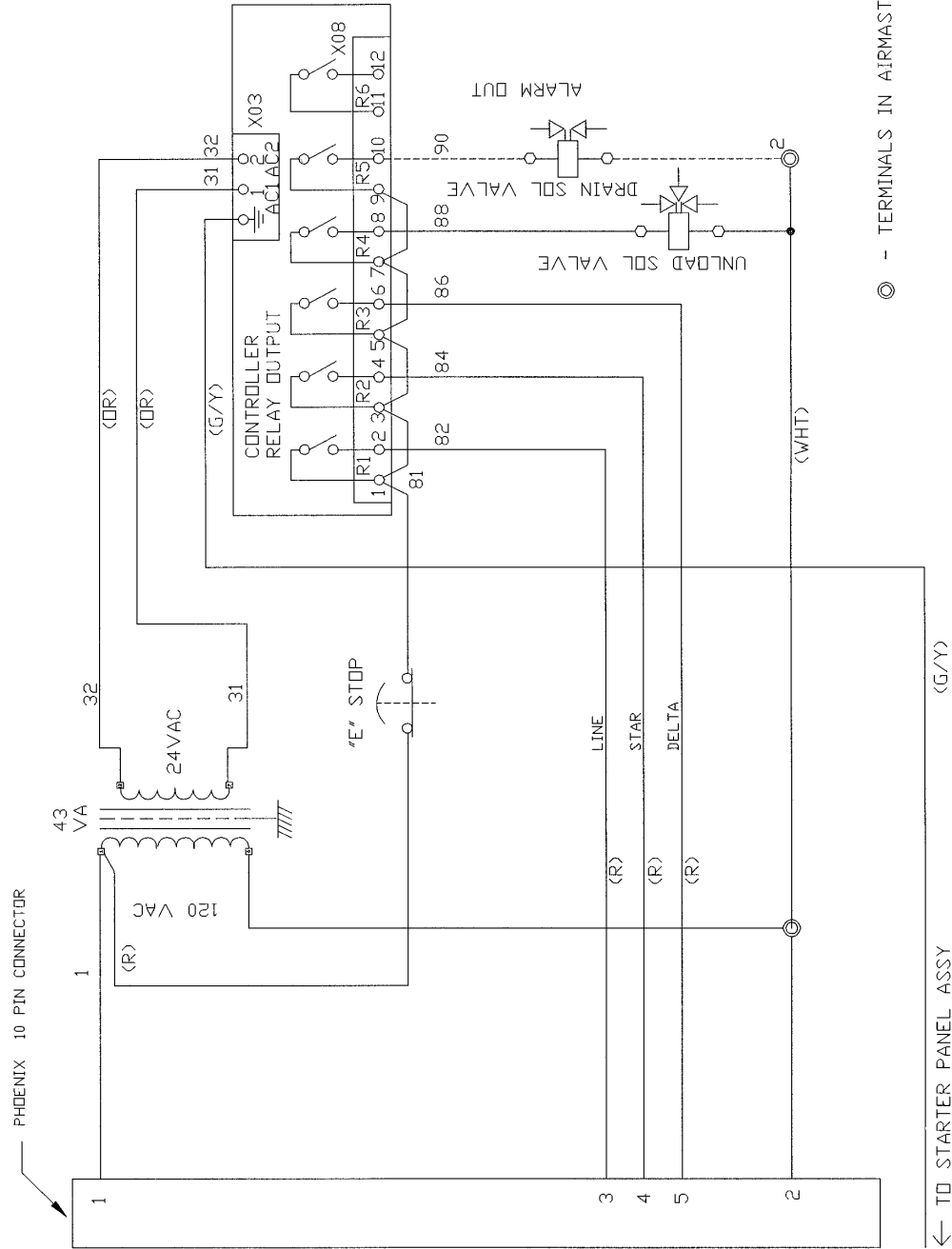
DRAWINGS

MODEL
CL15-20-25-30
CUB,SS

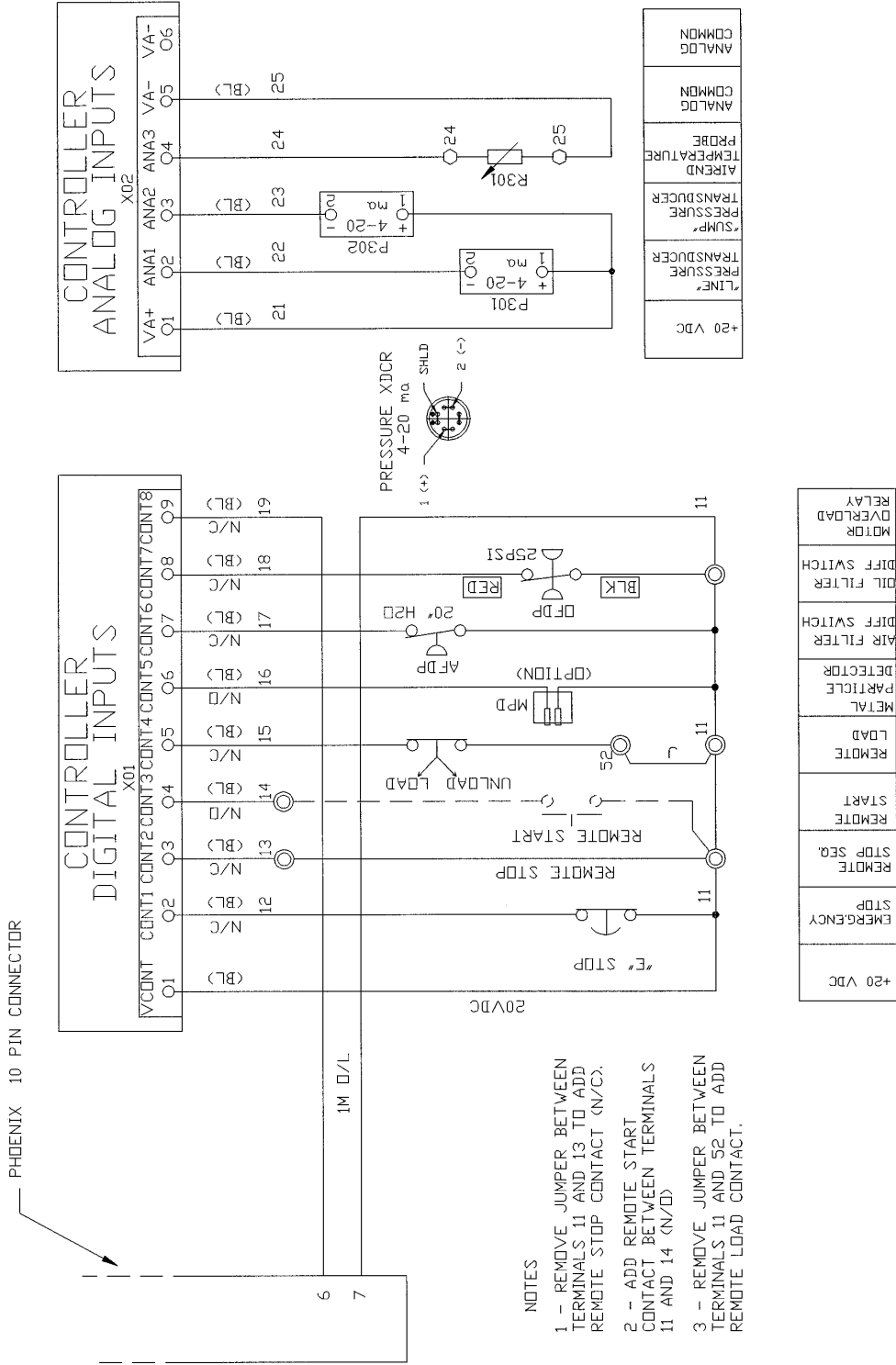
JULY 1997

4391X,4393X,4394X,4395X,4396X

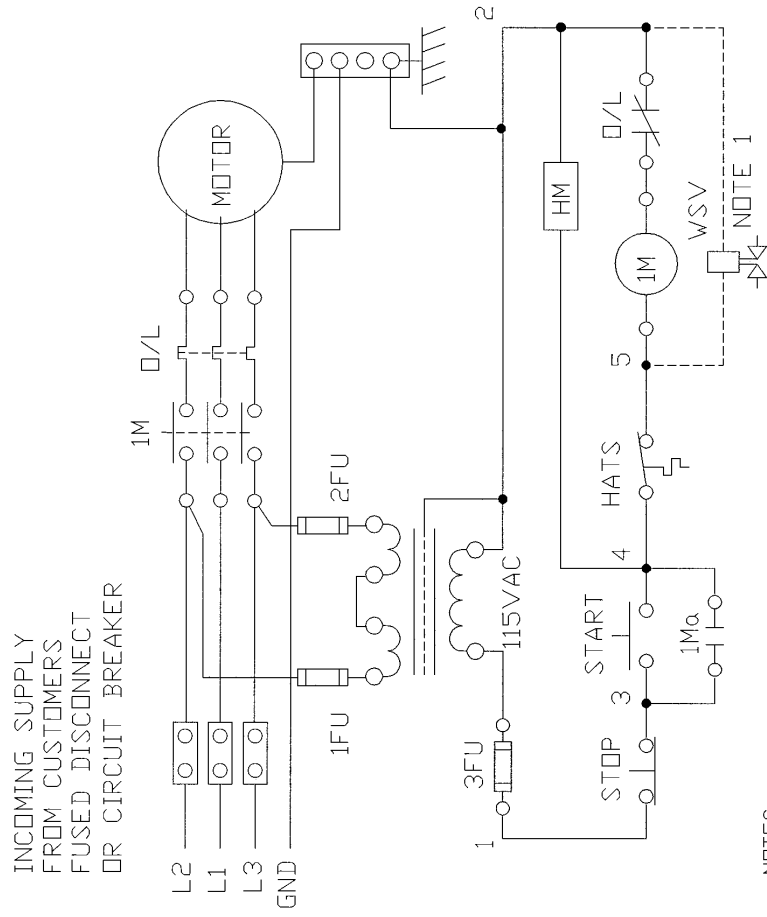




COMPARTROLLER RELAY OUTPUTS
8870C ECN 44397



COMPAIRTROLLER DIGITAL/ANALOG INPUTS
8871C ECN 44397

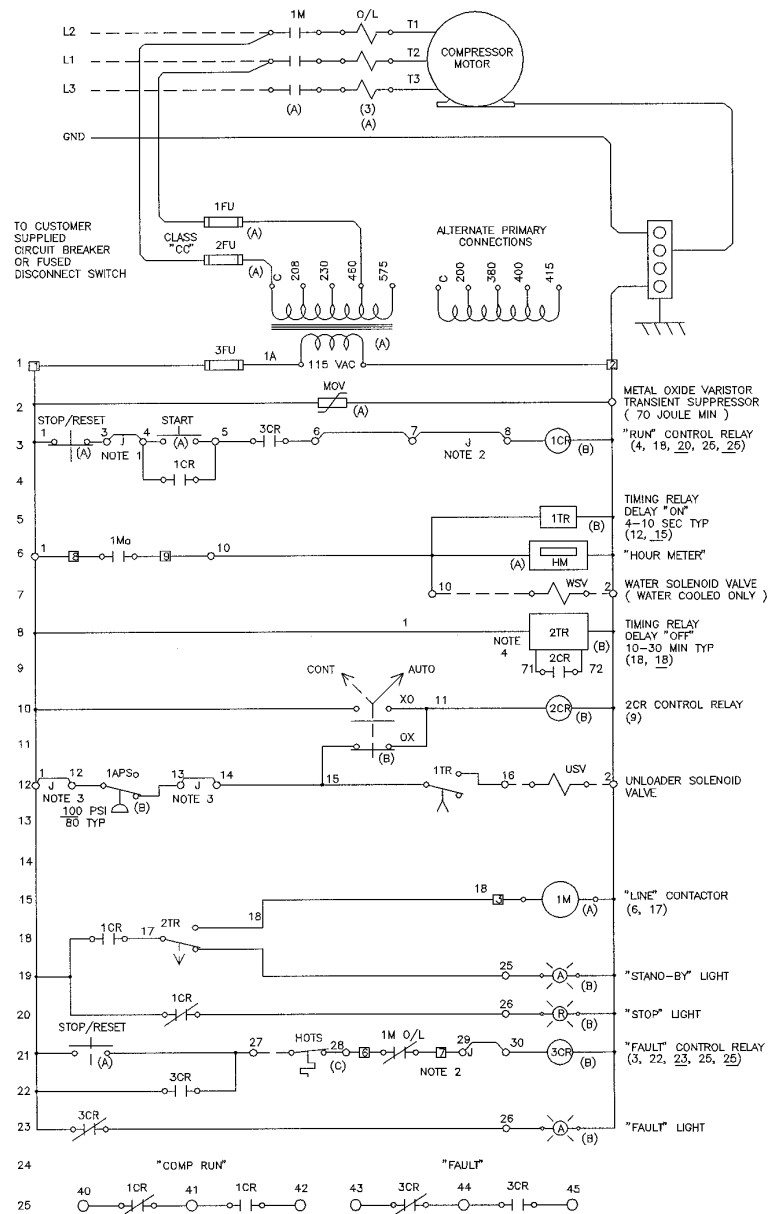


NOTES

1 WATER COOLED UNITS ONLY

CUB ACROSS LINE STARTER WIRING

8875A ECN 45304
JCH 9/97



AUTO-DUAL CONTROL
 CUB, ACROSS LINE

NOTES :

- 1- REMOVE JUMPER WHEN INSTALLING REMOTE 3-WIRE START / STOP PUSH BUTTON STATION TO TERMINALS 3, 4, AND 5.
- 2- REMOVE JUMPER WHEN INSTALLING EXTRA SAFETY DEVICE(S) (NORMALLY CLOSED) BETWEEN TERMINALS 6, 7, AND 8.
- 3- REMOVE JUMPERS 1-12, 13-14 WHEN INSTALLING MULTIPLE COMPRESSOR SEQUENCER PANEL.
- 4- THE "XO" AND "OX" INDICATE THE POSITION THE SELECTOR SWITCH CONTACTS ARE OPEN (O) OR CLOSED (X).

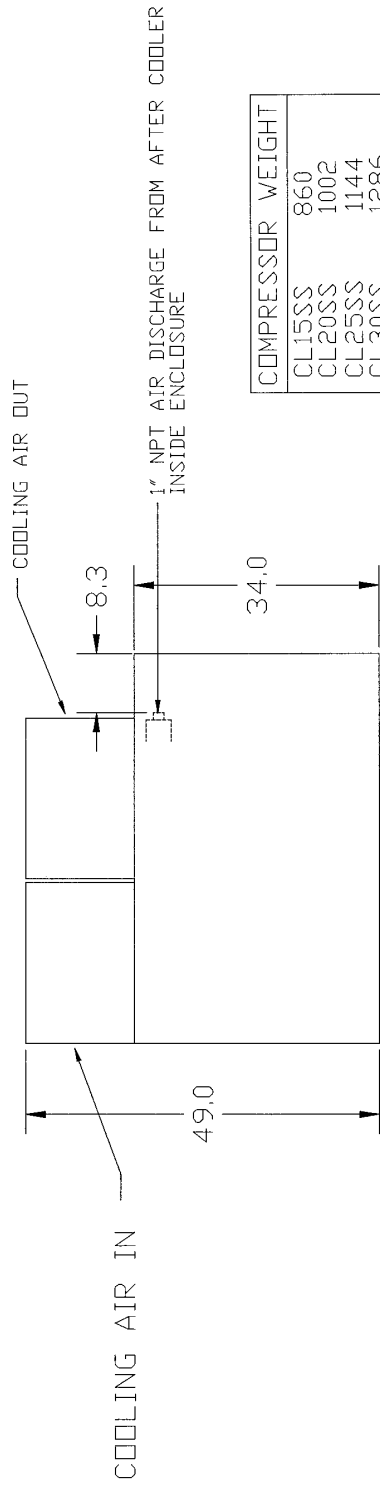
NOMENCLATURE :

- | | |
|------|--------------------------|
| O/L | OVERLOAD RELAY |
| 1M | "LINE" CONTACTOR |
| S | "STAR" CONTACTOR |
| 0 | "DELTA" CONTACTOR |
| FU | FUSE |
| MOV | METAL OXIDE VARISTOR |
| CR | CONTROL RELAY |
| TR | TIMING RELAY |
| HM | "RUNNING" HOUR METER |
| WSV | WATER SOLENOID VALVE |
| APS | AIR PRESSURE SWITCH |
| USV | UNLOAD SOLENOID VALVE |
| HOTS | HIGH AIR/OIL TEMP SWITCH |

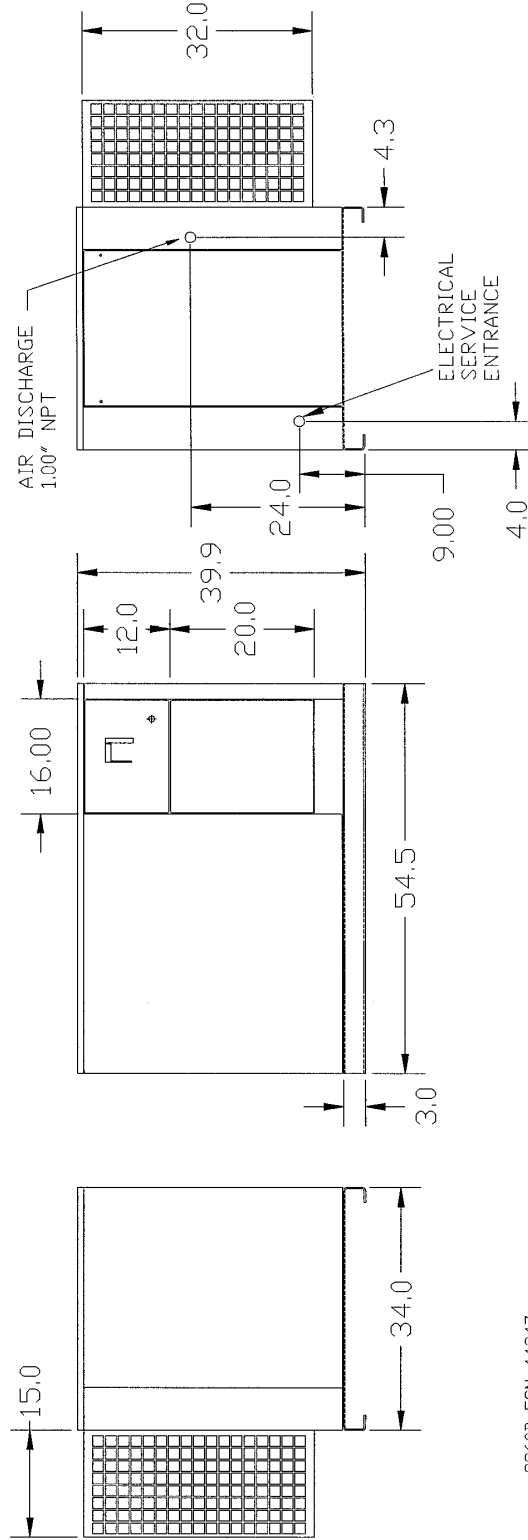
- (A) COMPONENT IN STARTER PANEL
 (B) COMPONENT IN CONTROL PANEL
 (C) COMPONENT ON COMPRESSOR ASSY

□ CIRCUIT NO. IN STARTER

8932D ECN 45304
 JCH 9/97

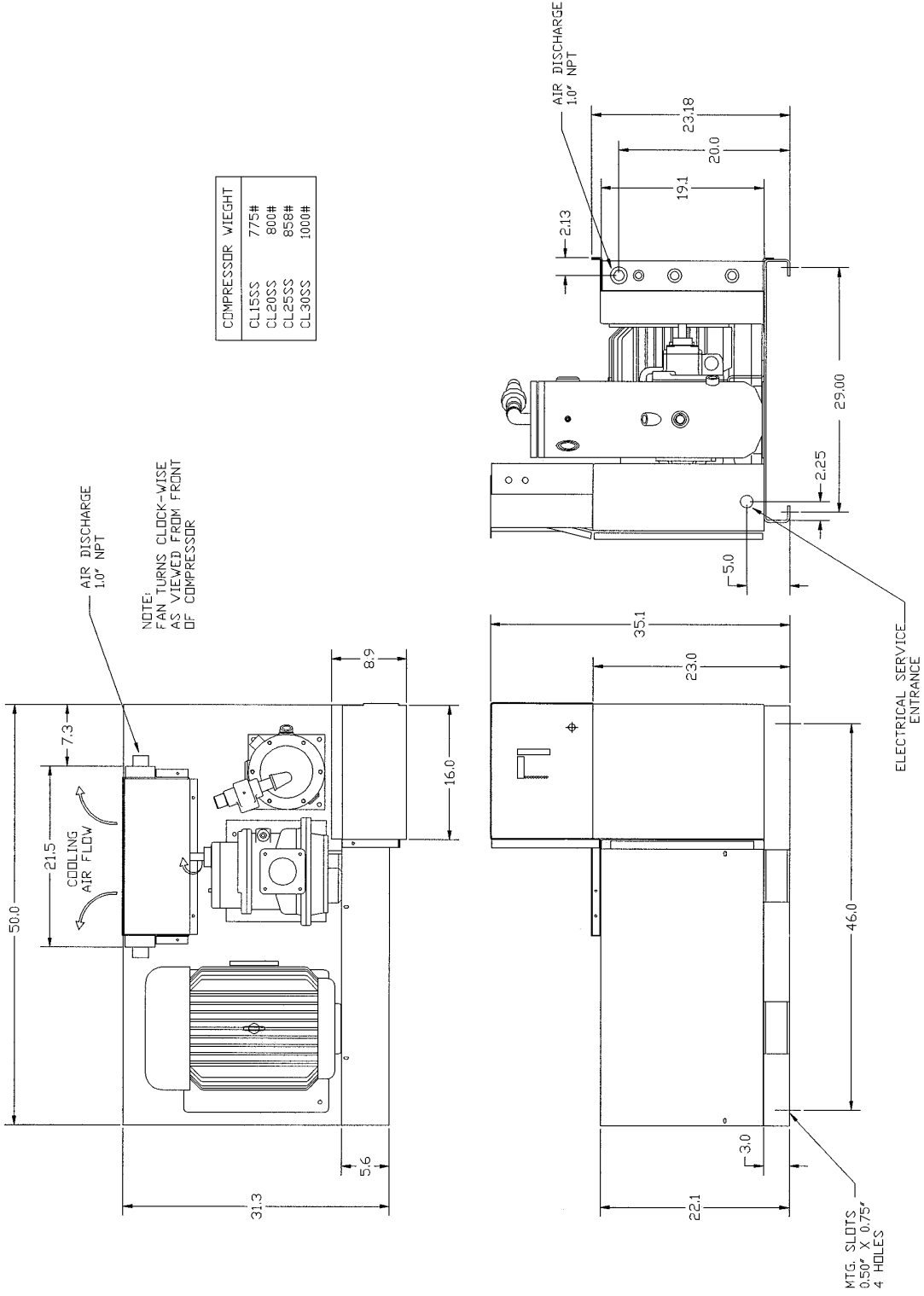


COMPRESSOR WEIGHT	
CL15SS	860
CL20SS	1002
CL25SS	1144
CL30SS	1286



8860D ECN 44347
JCH 9/97

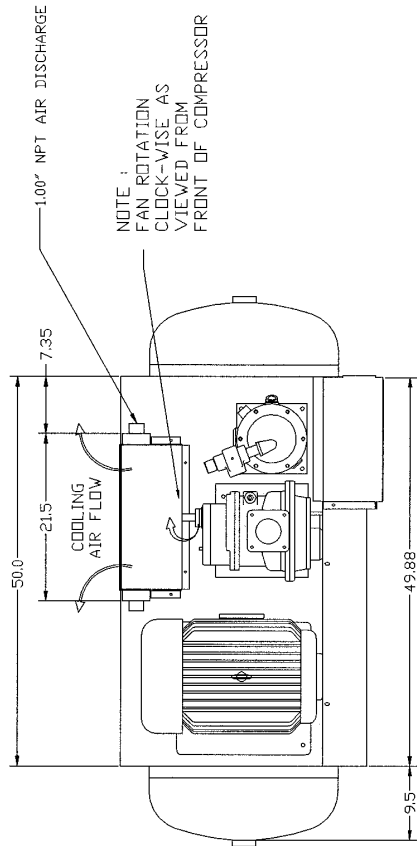
ENCLOSED CL15-30SS INSTALLATION



COMPRESSOR	WEIGHT
CL15SS	775#
CL20SS	800#
CL25SS	856#
CL30SS	1000#

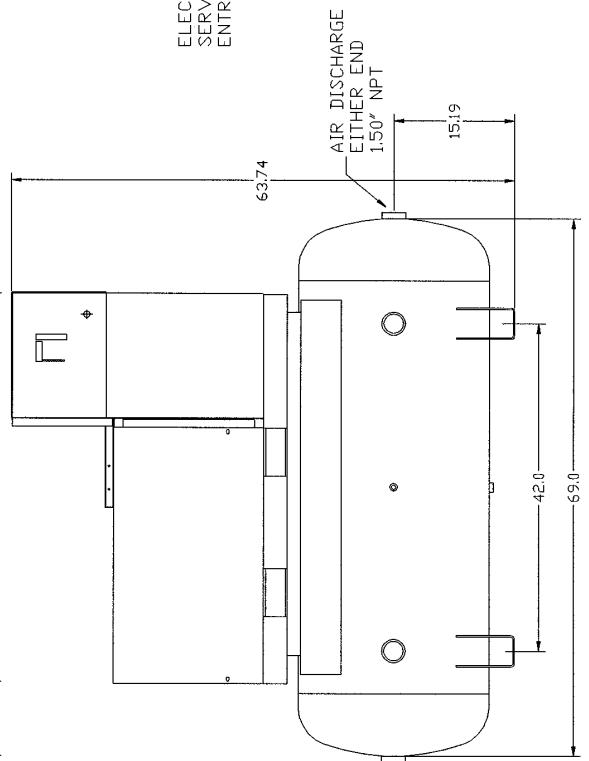
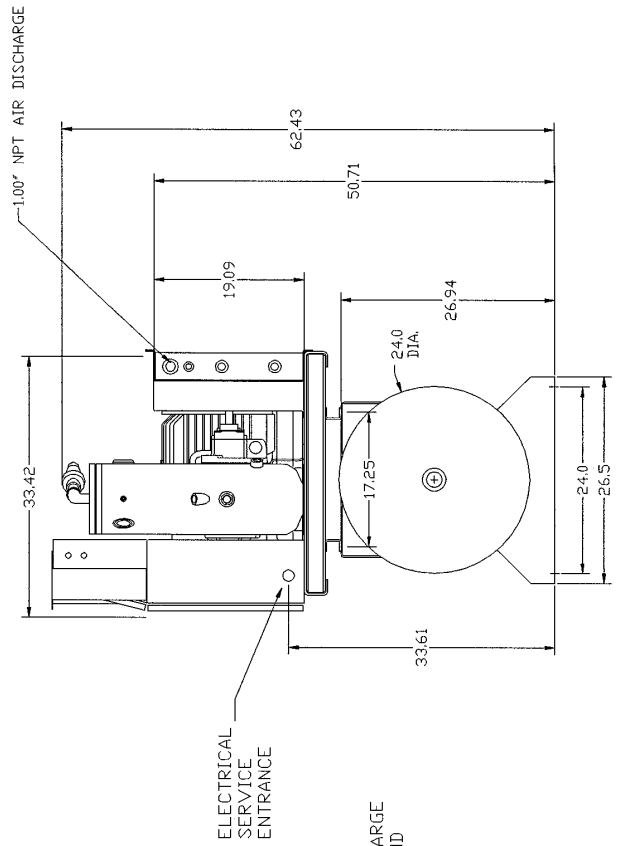
UNENCLOSED CL15-30SS INSTALLATION

8856D ECN 44395
JCH 9/97



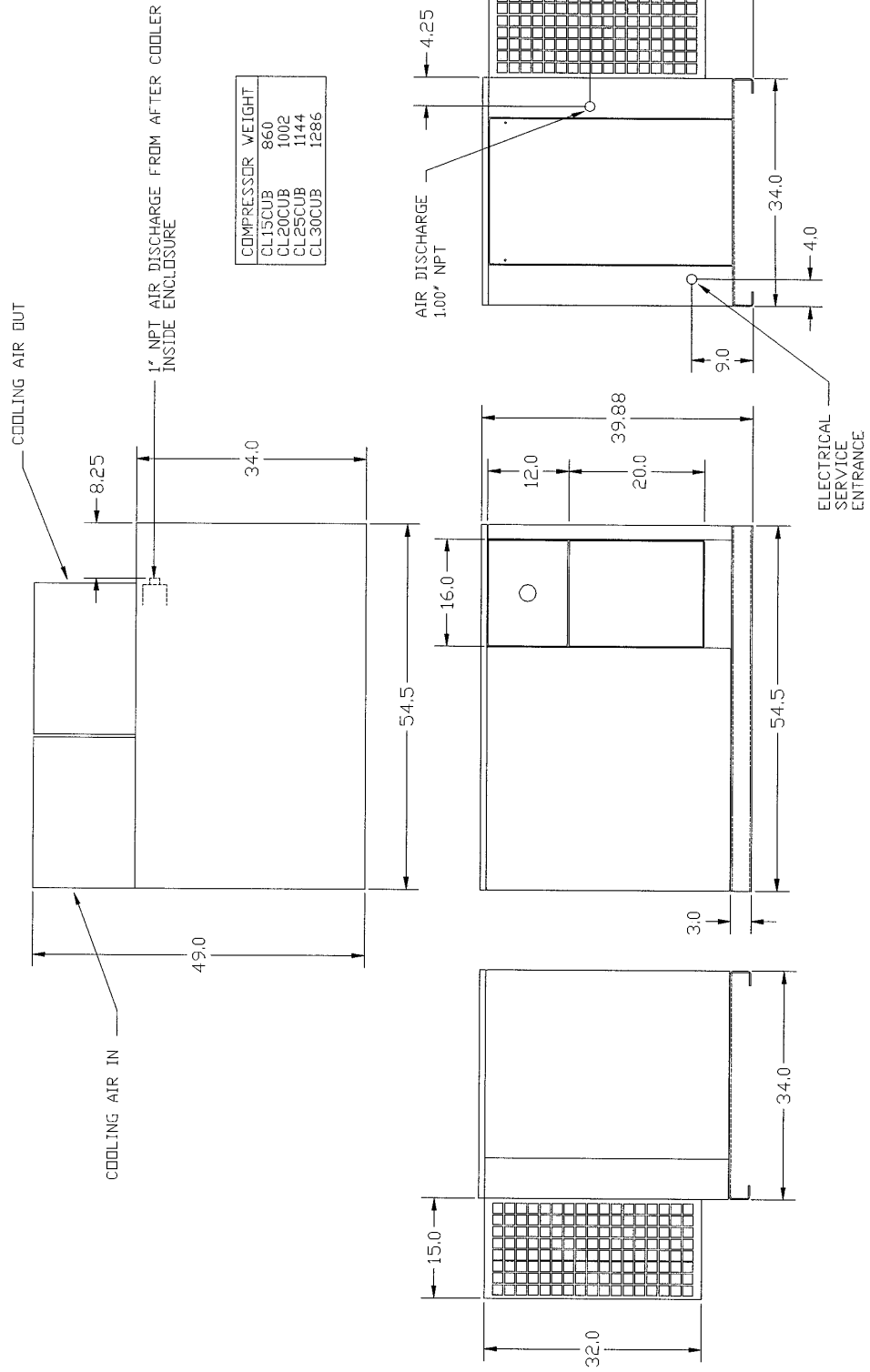
COMPRESSOR	WEIGHT
CL15SS	1075#
CL20SS	1100#
CL25SS	1160#
CL30SS	1300#

NOTE:
FAN ROTATION
CLOCK-WISE AS
VIEWED FROM
FRONT OF COMPRESSOR



88590 ECN 44395
JCH 9/97

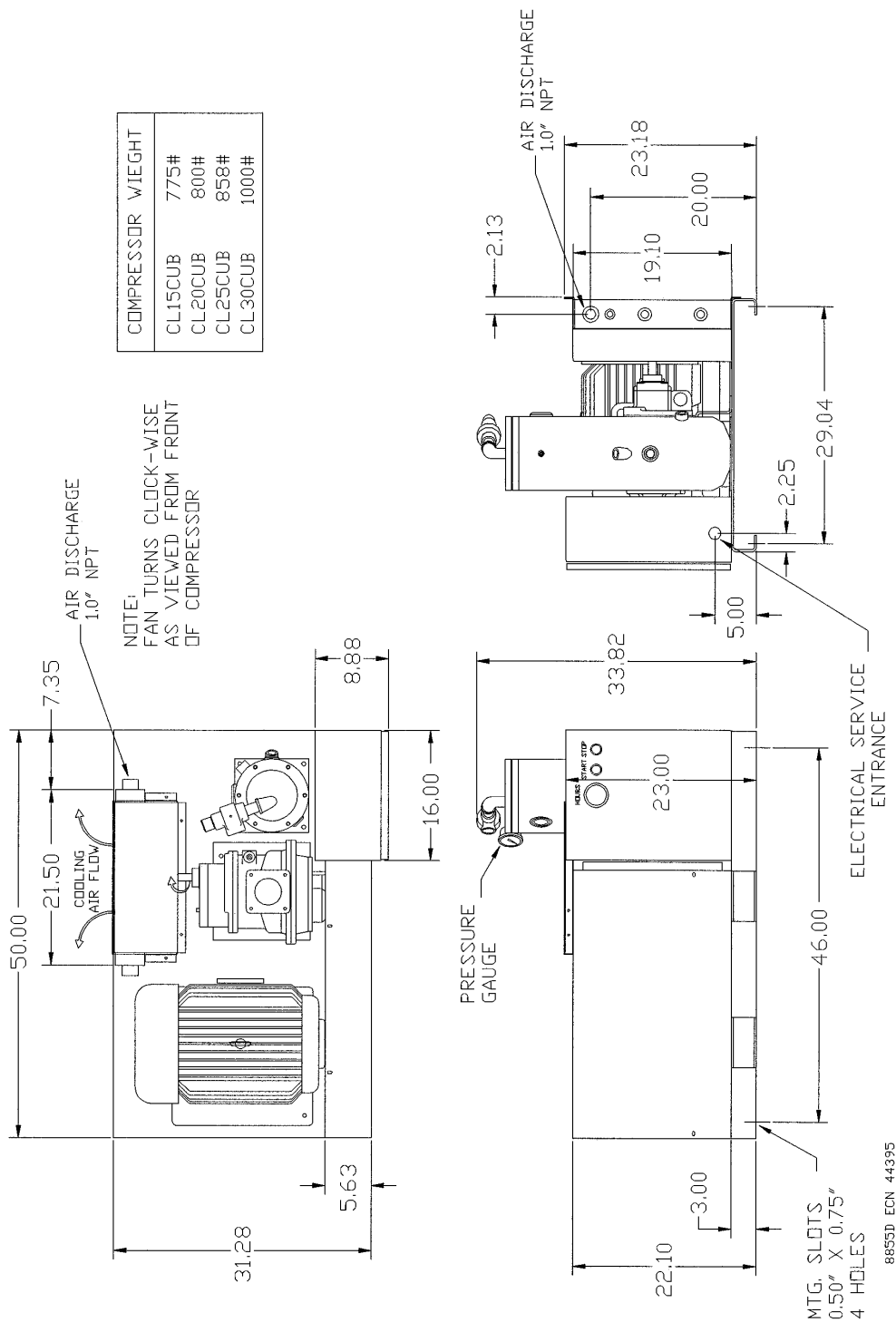
TANK MOUNTED CL15-30SS (120 GAL.)



COMPRESSOR WEIGHT
CL15CUB 860
CL20CUB 1002
CL25CUB 1144
CL30CUB 1286

8857D ECN 44347
JCR 9/97

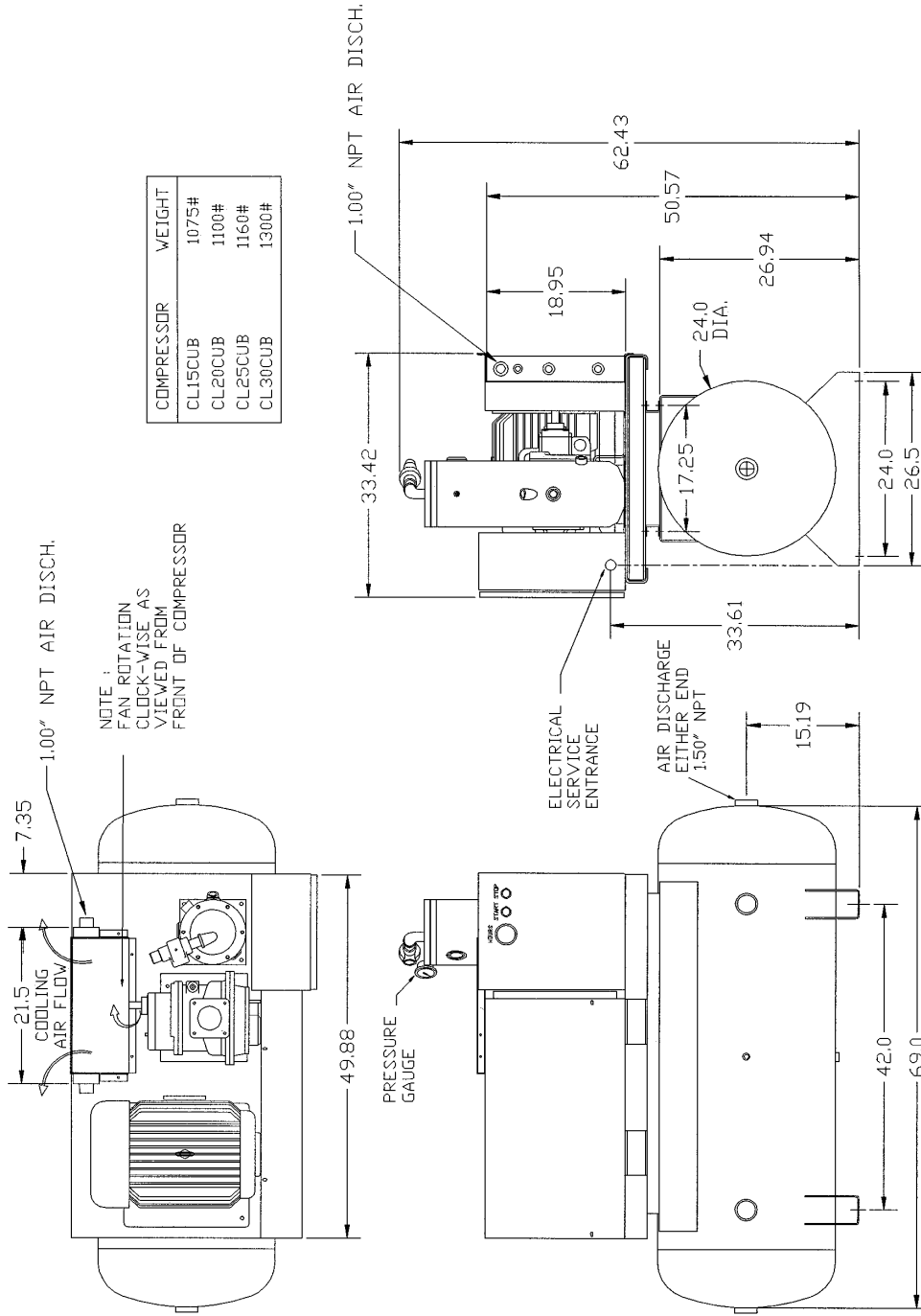
ENCLOSED CL15-30CUB INSTALLATION



COMPRESSOR	WIEGHT
CL15CUB	775#
CL20CUB	800#
CL25CUB	858#
CL30CUB	1000#

UNENCLOSED CL15-30CUB INSTALLATION

8855D ECN 44395
JCH 9/97



COMPRESSOR	WEIGHT
CL15CUB	1075#
CL20CUB	1100#
CL25CUB	1160#
CL30CUB	1300#

NOTE:
 FAN ROTATION
 CLOCK-WISE AS
 VIEWED FROM
 FRONT OF COMPRESSOR

TANK MOUNTED CL15-30CUB (120 GAL.) INSTALLATION

8E25G EDN 44395
 JUN 1977

