

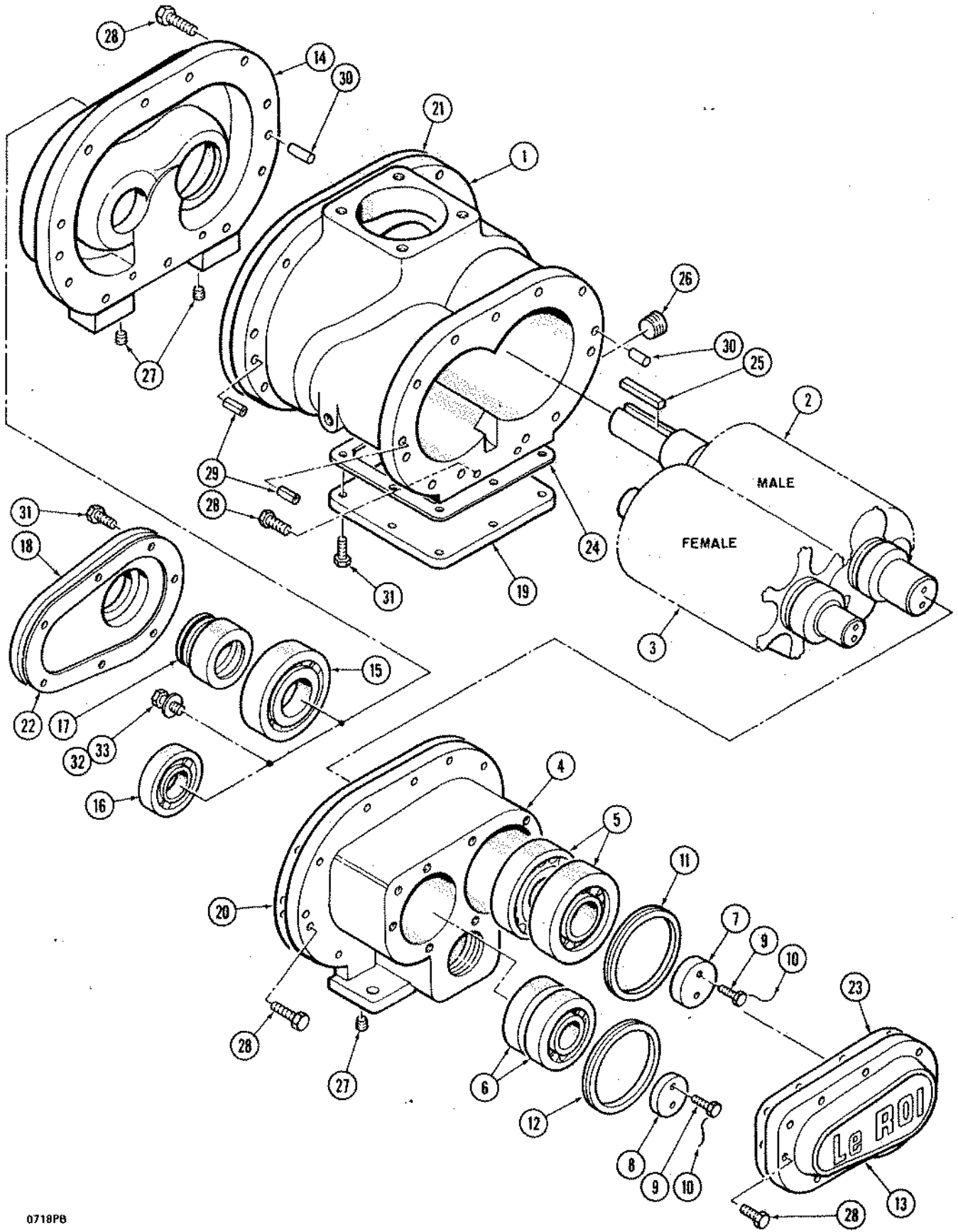
COMPOSITE GROUPS

A20SS
A25SS
A30SS

OCTOBER 1989

4028x 4029x 4030x

| GROUP NUMBER | GROUP NAME | GROUP NUMBER | GROUP NAME |
|--------------|---|--------------|---|
| 1 | AIR END 4028x239 and Before 4029x399 and Before 4030x177 and Before | | |
| 1A | AIR END 4028x240 and Later 4029x400 and Later 4030x178 and Later | | |
| 2 | AIR RECEIVER-OIL RESERVOIR 4028x122 and Before 4029x269 and Before 4030x331 and Before | | |
| 2A | AIR RECEIVER-OIL RESERVOIR 4028x123 and Later 4029x270 and Later 4030x332 and Later | | |
| 3 | AIR CLEANER-INTAKE VALVE WITH DIAPHRAGM | | |
| 3A | AIR CLEANER-INTAKE VALVE WITH PISTON | | |
| 4 | OIL COOLER-OIL FILTER | | |
| 5 | UNIT BASE-BEDPLATE | | |
| 6 | BELT GUARDS | | |
| 7 | CONTROLS-LINE STARTERS- STARTER MOUNTING | | |
| 8 | DRIVE GROUP-FAN | | |
| 9 | ELECTRIC MOTORS | | |
| 10 | RECEIVERS | | |
| 11 | DISCHARGE PIPING-RECEIVER MOUNTING WITHOUT AFTER- COOLER | | <p>WHEN CONSULTING YOUR DISTRIBUTOR OR THE FACTORY CONCERNING YOUR COMPRESSOR, OR WHEN ORDERING SERVICE LITERATURE OR SERVICE PARTS, ALWAYS FURNISH COMPLETE UNIT MODEL NUMBER AND SERIAL NUMBER.</p> <p>NOTE: ILLUSTRATIONS USED IN THIS PARTS LIST ARE OF TYPICAL PARTS AND MAY DIFFER IN DETAIL.</p> |
| 12 | AFTERCOOLER PIPING- RECEIVER MOUNTING | | |
| 13 | AFTERCOOLER-BEDPLATE MOUNTING | | |
| 14 | MOISTURE DRAIN | | |
| 15 | DRAIN, BUCKET HIGH | | |
| 16 | DECALS AND LABELS | | |
| 17 | MASSACHUSETTS PEDESTAL | | |
| 18 | MASSACHUSETTS CODE KIT | | |



PARTS LIST

GROUPS AND COMPONENTS

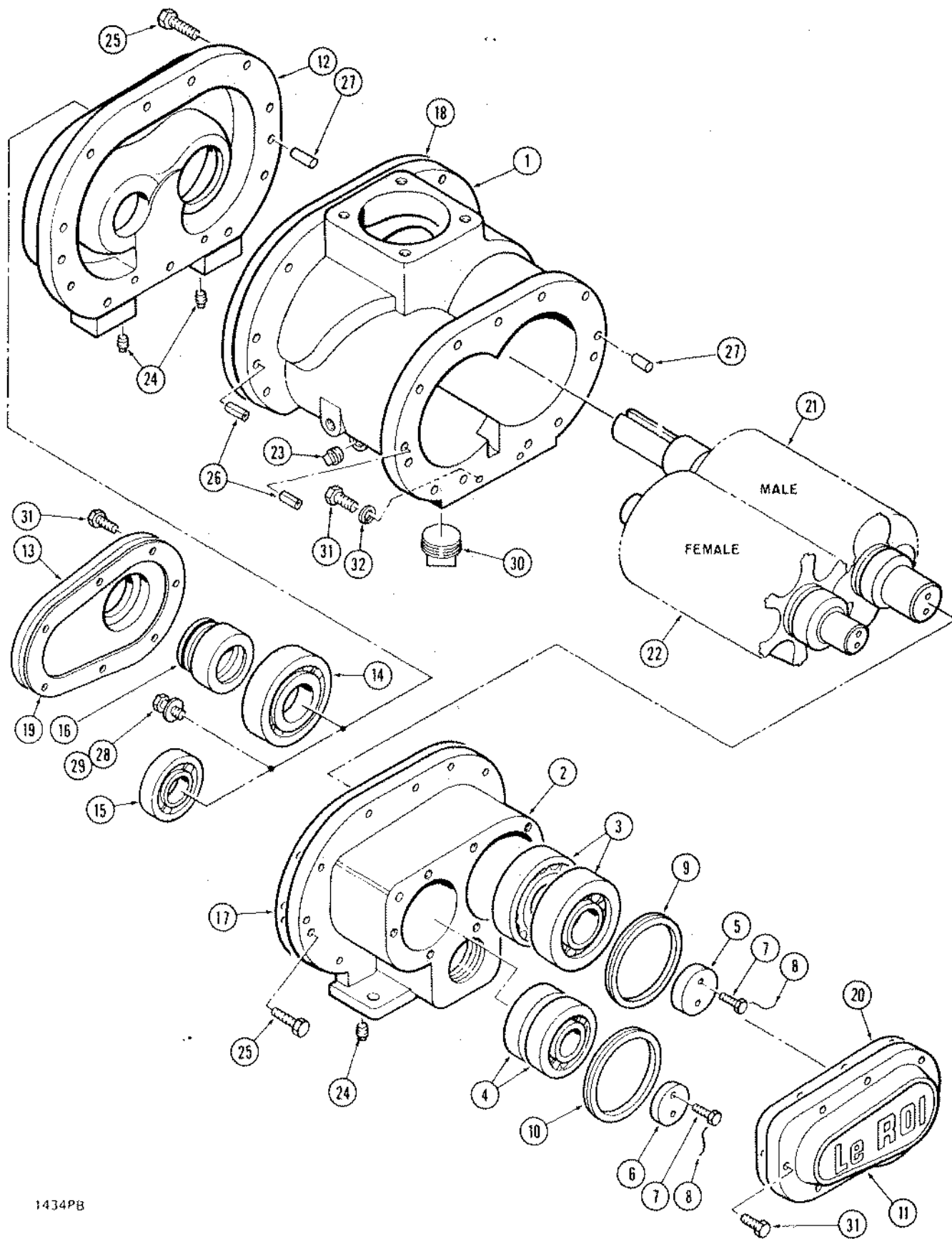
GROUP NO. 1 AIR END

MODEL

A20-25-30SS

PART NUMBERS

| Ref | Part Description | Qty | A20SS | A25SS | A30SS |
|-----|--|-----|-----------------------------------|------------------------------------|-----------------------------------|
| | | | A219-31 4028x239 and Before | A219-31 4029xx399 and Before | A219-31 4030x177 and Before |
| | | | | | |
| 1 | CYLINDER (NSS) | 1 | 1-789 | • | • |
| | ROTOR SET (NSS) | 1 | A204-901 | • | • |
| 2 | ROTOR, Male (NSS) | 1 | Inc. A & B 101-163--A | Inc. A & B •--A | Inc. A & B •--A |
| 3 | ROTOR, Female (NSS) | 1 | 101-164--B | •--B | •--B |
| 4 | RETAINER, Bearing (NSS) | 1 | 31-805-1 | • | • |
| 5 | RETAINER, Bearing (NSS) | 2 | 181-438 | • | • |
| 6 | BEARING, Roller (NSS) | 2 | 181-440 | • | • |
| 7 | RETAINER, Bearing (NSS) | 1 | 31-807 | • | • |
| 8 | RETAINER, Bearing (NSS) | 1 | 31-808 | • | • |
| 9 | SCREW, Cap | 4 | 34-841-2 | • | • |
| 10 | WIRE, Lock | 1 | 61-5 | • | • |
| 11 | RING, Load (NSS) | 1 | 64-296 | • | • |
| 12 | RING, Load (NSS) | 1 | 64-297 | • | • |
| 13 | COVER, Rear Bearing | 1 | 14-1545-1 | • | • |
| 14 | RETAINER, Bearing (NSS) | 1 | 31-806-1 | • | • |
| 15 | BEARING, Roller (NSS) | 1 | 181-437 | • | • |
| 16 | BEARING, Roller (NSS) | 1 | 181-439 | • | • |
| 17 | SEAL, Rotary | 1 | 125-693-1 | • | • |
| 18 | COVER, Front | 1 | 14-1544-1 | • | • |
| 19 | COVER, Oil Gallery | 1 | 14-1546 | • | • |
| 20 | GASKET | 1 | 16-1886 | • | • |
| 21 | GASKET | 1 | 16-1887 | • | • |
| 22 | GASKET | 1 | 16-1888 | • | • |
| 23 | GASKET | 1 | 16-1889 | • | • |
| 24 | GASKET | 1 | 16-1890 | • | • |
| 25 | KEY | 1 | 09-143 | • | • |
| 26 | PLUG, Pipe | 1 | 011-205 | • | • |
| 27 | PLUG, Pipe | 4 | 19-202 | • | • |
| 28 | SCREW, Cap | 29 | 02-37 | • | • |
| 29 | PIN, Roll | 2 | 17-598-52 | • | • |
| 30 | PIN, Dowel | 2 | 17-647 | • | • |
| 31 | SCREW, Cap | 15 | 02-36 | • | • |
| 32 | SCREW, Cap | 2 | 34-841-8 | • | • |
| 33 | WASHER, Flat | 2 | 06-5 | • | • |
| | For complete air end on exchange or new basis order this assembly | | 1A219-31 | • | • |
| | With intake valve (piston type) | | 2A219-31 | • | • |



PARTS LIST

GROUPS AND COMPONENTS

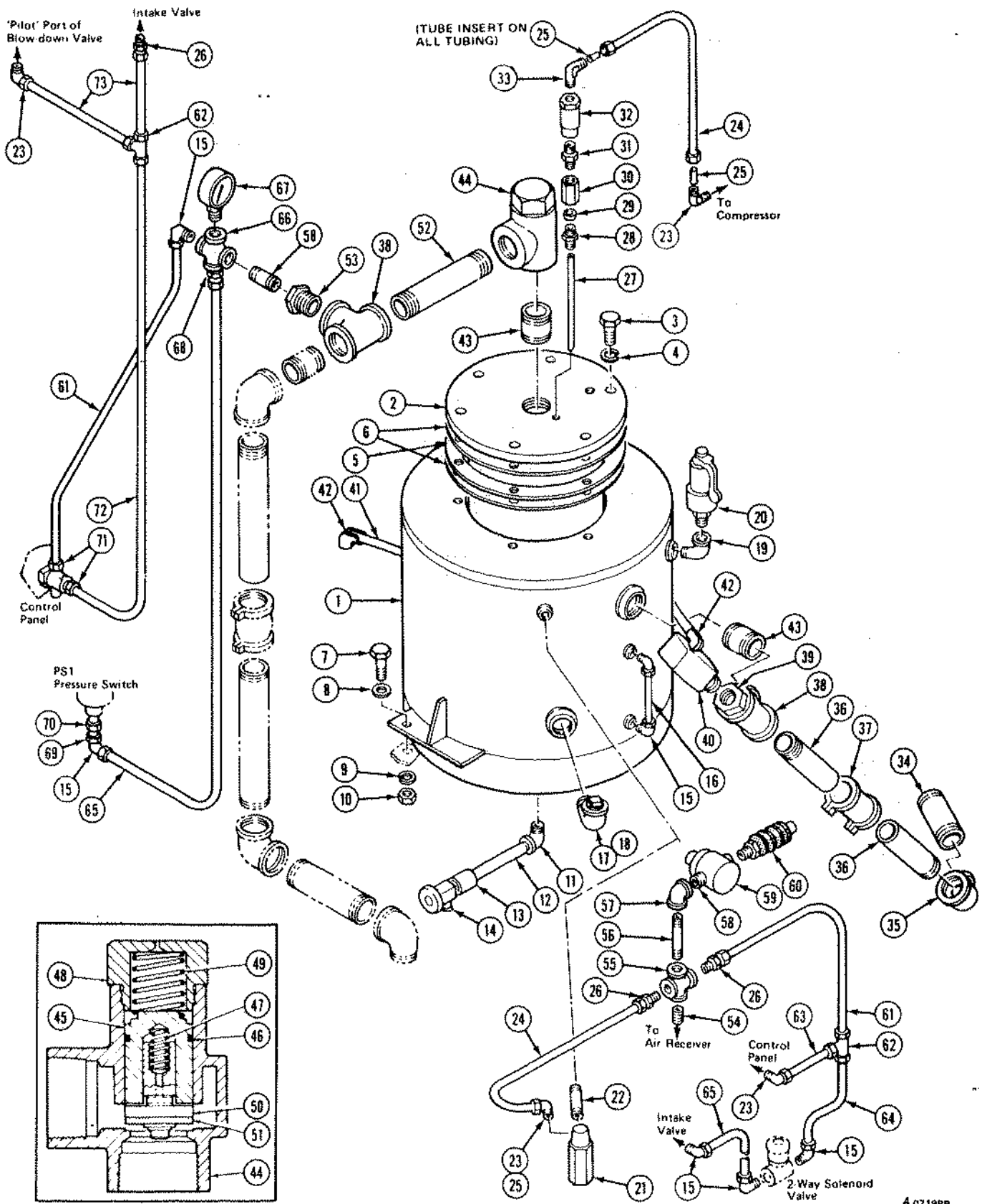
GROUP NO. 1A AIR END

MODEL

A20-25-30SS

PART NUMBERS

| Ref | Part Description | Qty | A20SS | A25SS | A30SS |
|-----|---------------------------------|-----|----------------------------------|----------------------------------|----------------------------------|
| | | | A219-79 4028x240 and Later | A219-79 4029x400 and Later | A219-79 4030x178 and Later |
| | SERVICE ASSEMBLY (Air End Only) | 1 | A219-79 | • | • |
| 1 | CYLINDER (NSS) | 1 | 1-826 | • | • |
| 2 | RETAINER, Bearing (NSS) | 1 | 31-805-1 | • | • |
| 3 | BEARING (NSS) | 2 | 181-438 | • | • |
| 4 | BEARING (NSS) | 2 | 181-440 | • | • |
| 5 | RETAINER, Bearing (NSS) | 1 | 31-807 | • | • |
| 6 | RETAINER, Bearing (NSS) | 1 | 31-808 | • | • |
| 7 | SCREW, Cap | 4 | 34-841-2 | • | • |
| 8 | WIRE, Lock | 1 | 61-5 | • | • |
| 9 | RING, Load (NSS) | 1 | 64-296 | • | • |
| 10 | RING, Load (NSS) | 1 | 64-297 | • | • |
| 11 | COVER, Rear Bearing | 1 | 14-1545-1 | • | • |
| 12 | RETAINER, Bearing (NSS) | 1 | 31-806-1 | • | • |
| 13 | COVER, Front | 1 | 14-1544-1 | • | • |
| 14 | BEARING, Roller (NSS) | 1 | 181-437 | • | • |
| 15 | BEARING, Roller (NSS) | 1 | 181-439 | • | • |
| 16 | SEAL, Rotary | 1 | 125-693-1 | • | • |
| 17 | GASKET | 1 | 16-1886 | • | • |
| 18 | GASKET | 1 | 16-1887 | • | • |
| 19 | GASKET | 1 | 16-1888 | • | • |
| 20 | GASKET | 1 | 16-1889 | • | • |
| 21 | ROTOR, Male (NSS) | 1 | 101-163 | • | • |
| 22 | ROTOR, Female (NSS) | 1 | 101-164 | • | • |
| 23 | PLUG, Pipe | 1 | 011-3 | • | • |
| 24 | PLUG, Pipe | 4 | 19-202 | • | • |
| 25 | SCREW, Cap | 20 | 02-37 | • | • |
| 26 | PIN, Roll | 2 | 17-598-52 | • | • |
| 27 | PIN, Dowel | 2 | 17-647 | • | • |
| 28 | SCREW, Cap | 2 | 34-841-8 | • | • |
| 29 | WASHER, Flat | 2 | 06-5 | • | • |
| 30 | PLUG, Pipe (Shipping) | 1 | 011-207 | • | • |
| 31 | SCREW, Cap | 16 | 02-36 | • | • |
| 32 | WASHER, Lock | 2 | 05-81 | • | • |



PARTS LIST

GROUPS AND COMPONENTS

GROUP NO. 2 AIR RECEIVER-OIL RESERVOIR

MODEL
A20-25-30SS

PART NUMBERS

| Ref | Part Description | Qty | A20SS | A25SS | A30SS |
|-----|------------------------------|-----|------------------------------------|------------------------------------|------------------------------------|
| | | | 1G69-683 4028x122 and Before | 1G69-683 4029x269 and Before | 1G69-683 4030x331 and Before |
| 1 | AIR RECEIVER-OIL RESERVOIR | 1 | A69-683 Inc. A to B | • Inc. A to B | • Inc. A to B |
| 2 | COVER, Receiver | 1 | 14-1455--A | •--A | •--A |
| 3 | SCREW, Cap | 6 | 34-1220-4 | • | • |
| 4 | WASHER, Lock | 6 | 05-55--B | •--B | •--B |
| 5 | ELEMENT, Separator | 1 | 43-723-3 Inc. C | 43-723-4 Inc. C | 43-723-4 Inc. C |
| 6 | GASKET, Element | 2 | 16-1868--C | •--C | •--C |
| 7 | SCREW, Cap | 4 | 02-37 | • | • |
| 8 | WASHER, Flat | 4 | 06-69 | • | • |
| 9 | WASHER, Lock | 4 | 05-51 | • | • |
| 10 | NUT | 4 | 04-103 | • | • |
| 11 | ELBOW, Pipe | 1 | 013-503 | • | • |
| 12 | NIPPLE, Pipe | 1 | 013-102 | • | • |
| 13 | COUPLING, Pipe | 1 | 013-703 | • | • |
| 14 | VALVE, Drain | 1 | H15-1444 | • | • |
| 15 | FITTING | 2 | H182-383 | • | • |
| 16 | TUBE | 1 | 55-1868 | • | • |
| 17 | ELBOW, Street | 1 | 013-507 | • | • |
| 18 | PLUG, Pipe | 1 | 011-207 | • | • |
| 19 | ELBOW, Street | 1 | 013-504 | • | • |
| 20 | VALVE, Safety | 1 | 15-1270-1 | • | • |
| 21 | INDICATOR, Restriction | 1 | 43-577 | • | • |
| 22 | NIPPLE, Pipe | 1 | 013-21 | • | • |
| 23 | FITTING | 1 | H182-393 | • | • |
| 24 | TUBE | 1 | H55-1546-3 | • | • |
| 25 | FITTING | 2 | H182-587 | • | • |
| 26 | FITTING | 1 | 182-358 | • | • |
| 27 | TUBE | 1 | 55-1632 | • | • |
| 28 | FITTING | 1 | 182-620 | • | • |
| 29 | FITTING | 1 | 182-621 | • | • |
| 30 | FITTING | 1 | 182-622 | • | • |
| 31 | FITTING | 1 | 182-725 | • | • |
| 32 | FILTER, Separator | 1 | 43-721 | • | • |
| 33 | FITTING | 1 | A182-729-2 | • | • |
| 24 | TUBE | 1 | 55-1654-2 | • | • |
| 34 | NIPPLE, Pipe | 1 | 013-215 | • | • |
| 35 | ELBOW, Reducing | 1 | 013-467 | • | • |
| 36 | NIPPLE, Pipe | 2 | 33-22-79 | • | • |
| 37 | COUPLING, Special | 1 | 28-428 | • | • |
| 38 | TEE, Pipe | 1 | 013-607 | • | • |
| 39 | BUSHING, Reducing | 1 | 013-1076 | • | • |
| 40 | SWITCH, High Air Temperature | 1 | 76-700 | • | • |
| 41 | CONDUIT | 1 | 61-563-1 | • | • |
| 42 | FITTING, Conduit | 2 | 121-120 | • | • |
| 43 | NIPPLE, Pipe | 1 | 013-7D | • | • |

PARTS LIST

GROUPS AND COMPONENTS

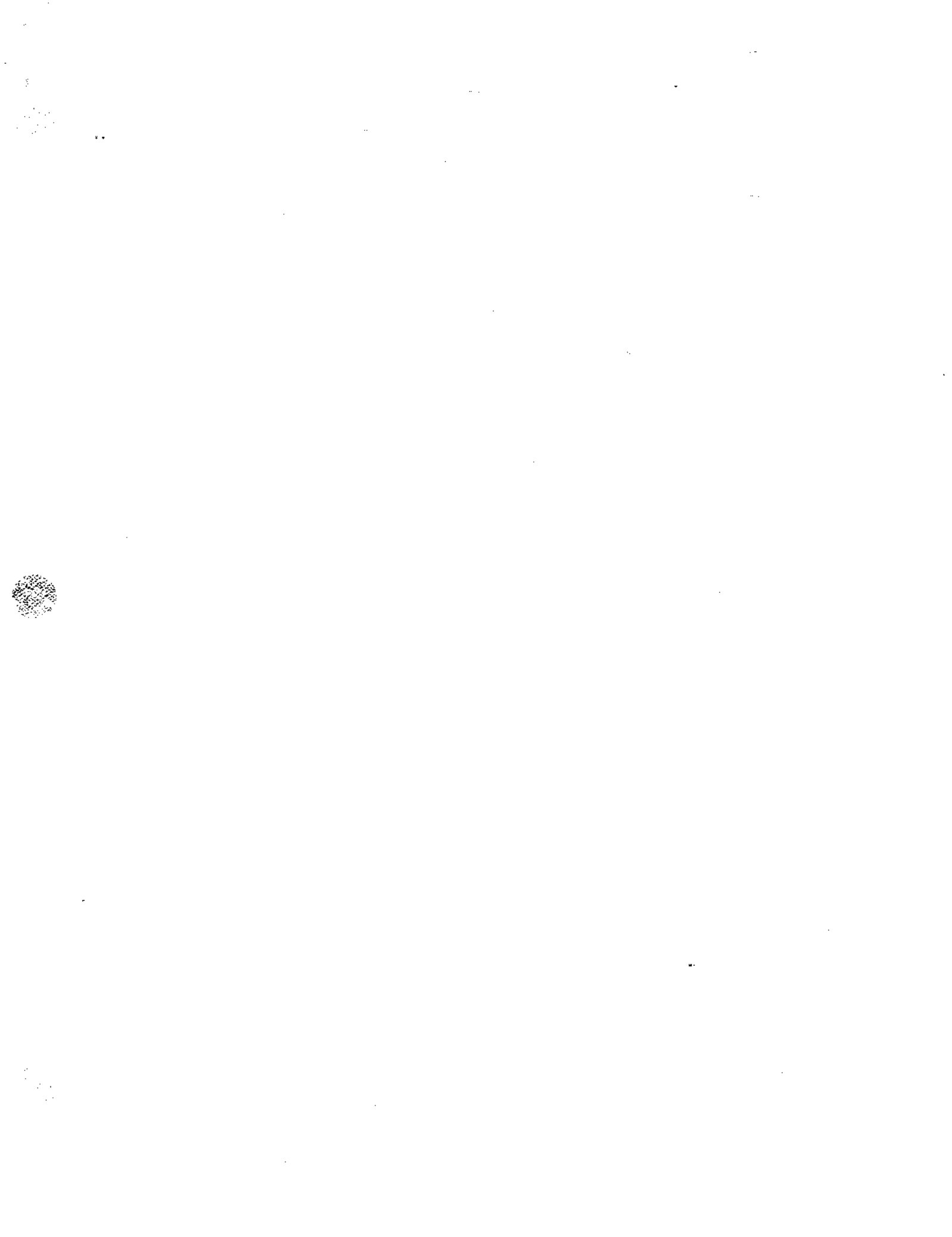
GROUP NO. 2 AIR RECEIVER-OIL RESERVOIR

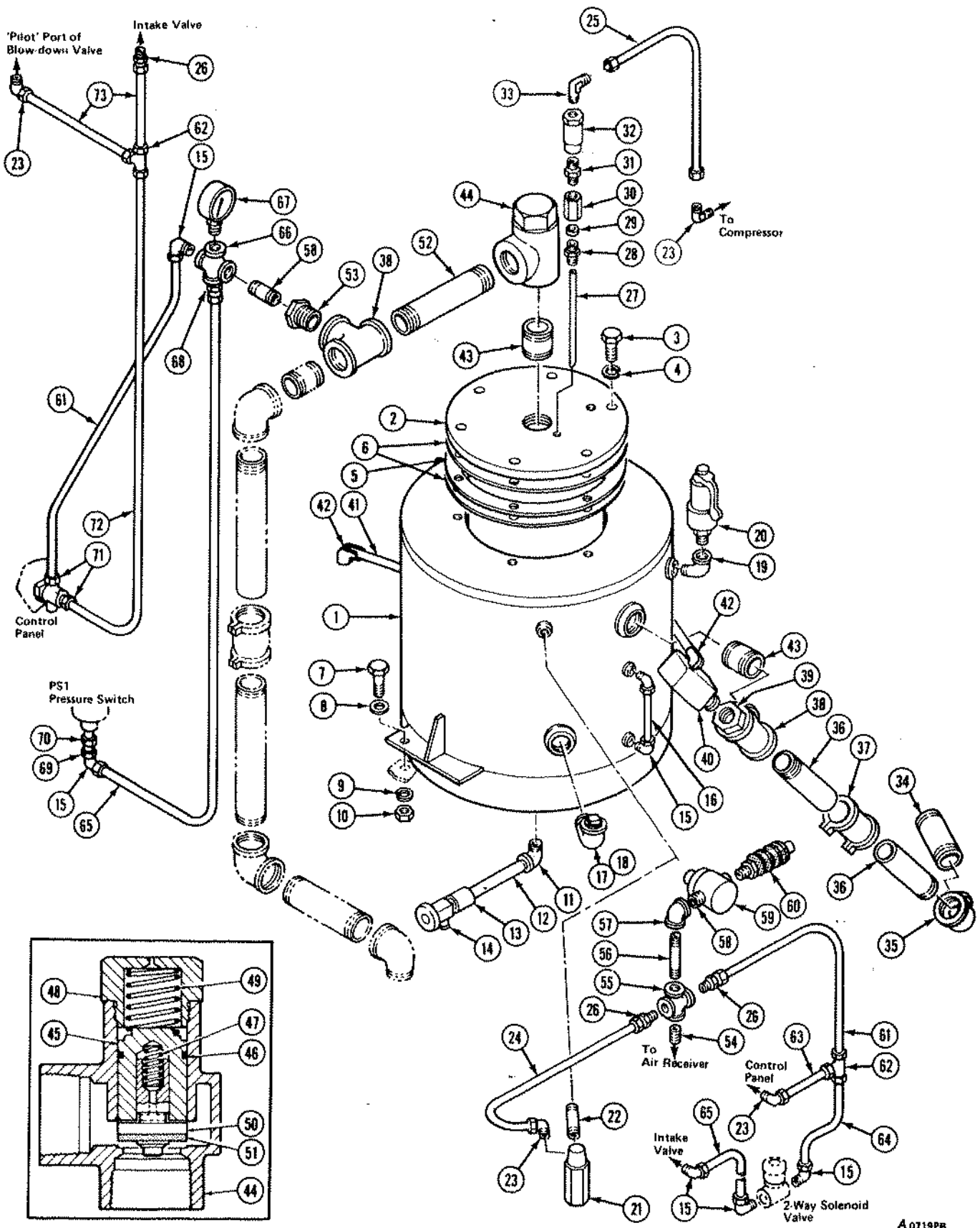
MODEL

A20-25-30SS

PART NUMBERS

| Ref | Part Description | Qty | A20SS | A25SS | A30SS |
|-------------------------------|-------------------------|-----|-------------------------------------|------------------------------------|------------------------------------|
| | | | 1669-683 4028x1222 and Before | 1669-683 4029x269 and Before | 1669-683 4030x331 and Before |
| Continued from previous page. | | | | | |
| 44 | VALVE, Minimum Pressure | 1 | 15-1579 | • | • |
| | | | Inc. D to E | Inc. D to E | Inc. D to E |
| 44 | BODY, Valve | 1 | 220-159-1--D | •••D | •••D |
| 45 | PISTON | 1 | 220-159-2 | • | • |
| 46 | SEAL, O-Ring | 1 | 220-159-3 | • | • |
| 47 | SPRING, Small | 1 | 220-159-4 | • | • |
| 48 | CAP | 1 | 220-159-5 | • | • |
| 49 | SPRING, Large | 1 | 220-159-6 | • | • |
| 50 | PISTON, Check Valve | 1 | 220-159-7 | • | • |
| 51 | SEAT, Teflon | 1 | 220-159-8--E | •••E | •••E |
| 52 | NIPPLE, Pipe | 1 | 013-177 | • | • |
| 38 | TEE, Pipe | 1 | 013-607 | • | • |
| 53 | BUSHING, Reducer | 1 | 013-1074 | • | • |
| 54 | NIPPLE, Pipe | 1 | 013-1A | • | • |
| 55 | CROSS, Pipe | 1 | 013-631 | • | • |
| 56 | NIPPLE, Pipe | 1 | 013-55 | • | • |
| 57 | ELBOW, Pipe | 1 | 013-492 | • | • |
| 58 | NIPPLE, Pipe | 1 | 013-2 | • | • |
| 59 | VALVE, Blow Down | 1 | 15-1594 | • | • |
| 60 | MUFFLER, Valve | 1 | 78-246 | • | • |
| 26 | FITTING | 1 | 182-358 | • | • |
| 61 | TUBE | 1 | 55-1546 | • | • |
| 25 | FITTING | 1 | 182-587 | • | • |
| 62 | FITTING | 1 | 182-397 | • | • |
| 63 | TUBE | 1 | 55-1546-9 | • | • |
| 23 | FITTING | 1 | 182-393 | • | • |
| 64 | TUBE | 1 | 55-1564-5 | • | • |
| 15 | FITTING | 1 | 182-383 | • | • |
| 15 | FITTING | 2 | 182-383 | • | • |
| 65 | TUBE | 1 | 55-1546-2 | • | • |
| 25 | FITTING | 2 | 182-587 | • | • |
| 58 | NIPPLE, Pipe | 1 | 013-2 | • | • |
| 66 | CROSS, Pipe | 1 | 013-632 | • | • |
| 67 | GAGE, Air Pressure | 1 | 60-351 | • | • |
| 68 | FITTING | 1 | 182-382 | • | • |
| 65 | TUBE | 1 | 55-1546-2 | • | • |
| 25 | FITTING | 2 | 182-587 | • | • |
| 15 | FITTING | 1 | 182-383 | • | • |
| 69 | FILTER | 1 | 43-721 | • | • |
| 70 | NIPPLE, Pipe | 1 | 013-2 | • | • |
| 15 | FITTING | 1 | 182-383 | • | • |
| 61 | TUBE | 1 | 55-1546 | • | • |
| 25 | FITTING | 2 | 182-587 | • | • |
| 71 | FITTING | 1 | 182-726 | • | • |
| 71 | FITTING | 1 | 182-726 | • | • |
| 72 | TUBE | 1 | 55-1546-1 | • | • |
| 25 | FITTING | 6 | 182-587 | • | • |
| 62 | FITTING | 1 | 182-397 | • | • |
| 73 | TUBE | 2 | 55-1546-4 | • | • |
| 23 | FITTING | 1 | 182-393 | • | • |
| 26 | FITTING | 1 | 182-358 | • | • |





PARTS LIST

GROUPS AND COMPONENTS

GROUP NO. 2A AIR RECEIVER-OIL RESERVOIR

MODEL

A20-25-30SS

PART NUMBERS

| Ref | Part Description | Qty | A20SS | A25SS | A30SS |
|-----|------------------------------|-----|-----------------------------------|-----------------------------------|-----------------------------------|
| | | | 1069-683 4028x123 and Later | 1069-683 4029x270 and Later | 1069-683 4030x332 and Later |
| 1 | AIR RECEIVER-OIL RESERVOIR | 1 | A69-683 Inc. A to B | " Inc. A to B | " Inc. A to B |
| 2 | COVER, Receiver | 1 | 14-1455--A | "--A | "--A |
| 3 | SCREW, Cap | 6 | 34-1220-4 | " | " |
| 4 | WASHER, Lock | 6 | 05-55--B | "--B | "--B |
| 5 | ELEMENT, Separator | 1 | 43-723-3 Inc. C | 43-723-4 Inc. C | 43-723-4 Inc. C |
| 6 | GASKET, Element | 2 | 16-1860--C | "--C | "--C |
| 7 | SCREW, Cap | 4 | 02-37 | " | " |
| 8 | WASHER, Flat | 4 | 06-69 | " | " |
| 9 | WASHER, Lock | 4 | 05-51 | " | " |
| 10 | NUT | 4 | 04-103 | " | " |
| 11 | ELBOW, Pipe | 1 | 013-503 | " | " |
| 12 | NIPPLE, Pipe | 1 | 013-102 | " | " |
| 13 | COUPLING, Pipe | 1 | 013-703 | " | " |
| 14 | VALVE, Drain | 1 | H15-1444 | " | " |
| 15 | FITTING | 2 | H182-383 | " | " |
| 16 | TUBE | 1 | 55-1868 | " | " |
| 17 | ELBOW, Street | 1 | 013-507 | " | " |
| 18 | PLUG, Pipe | 1 | 011-207 | " | " |
| 19 | ELBOW, Street | 1 | 013-504 | " | " |
| 20 | VALVE, Safety | 1 | 15-1270-1 | " | " |
| 21* | INDICATOR, Restriction | 1 | 43-577 | " | " |
| 22 | NIPPLE, Pipe | 1 | 013-21 | " | " |
| 23 | FITTING | 2 | H182-393 | " | " |
| 24 | TUBE | 2 | 55-29-56 | " | " |
| 26 | FITTING | 1 | 182-358 | " | " |
| 27 | TUBE | 1 | 55-1632 | " | " |
| 28 | FITTING | 1 | 182-620 | " | " |
| 29 | FITTING | 1 | 182-621 | " | " |
| 30 | FITTING | 1 | 182-622 | " | " |
| 31 | FITTING | 1 | 182-725 | " | " |
| 32 | FILTER, Separator Drain | 1 | 43-721 | " | " |
| 33 | FITTING | 1 | A182-729-2 | " | " |
| 25 | TUBE | 1 | 55-1654-2 | " | " |
| | FITTING | 2 | 182-228 | " | " |
| | VALVE, Check | 1 | 15-1703 | " | " |
| | COUPLING, Pipe | 1 | 013-702 | " | " |
| * | GAGE, Sight | 1 | 60-453 | " | " |
| 23 | FITTING | 1 | H182-393 | " | " |
| 34 | NIPPLE, Pipe | 1 | 013-215 | " | " |
| 35 | ELBOW, Reducing | 1 | 013-467 | " | " |
| 36 | NIPPLE, Pipe | 2 | 33-22-79 | " | " |
| 37 | COUPLING, Special | 1 | 28-428 | " | " |
| 38 | TEE, Pipe | 1 | 013-607 | " | " |
| 39 | BUSHING, Reducing | 1 | 013-1076 | " | " |
| 40 | SWITCH, High Air Temperature | 1 | 76-700 | " | " |
| 41 | CONDUIT | 1 | 61-563-1 | " | " |
| 42 | FITTING | 2 | H121-120 | " | " |
| 43 | NIPPLE, Pipe | 1 | 013-7D | " | " |

PARTS LIST

GROUPS AND COMPONENTS

GROUP NO. 2A AIR RECEIVER - OIL RESERVOIR

MODEL

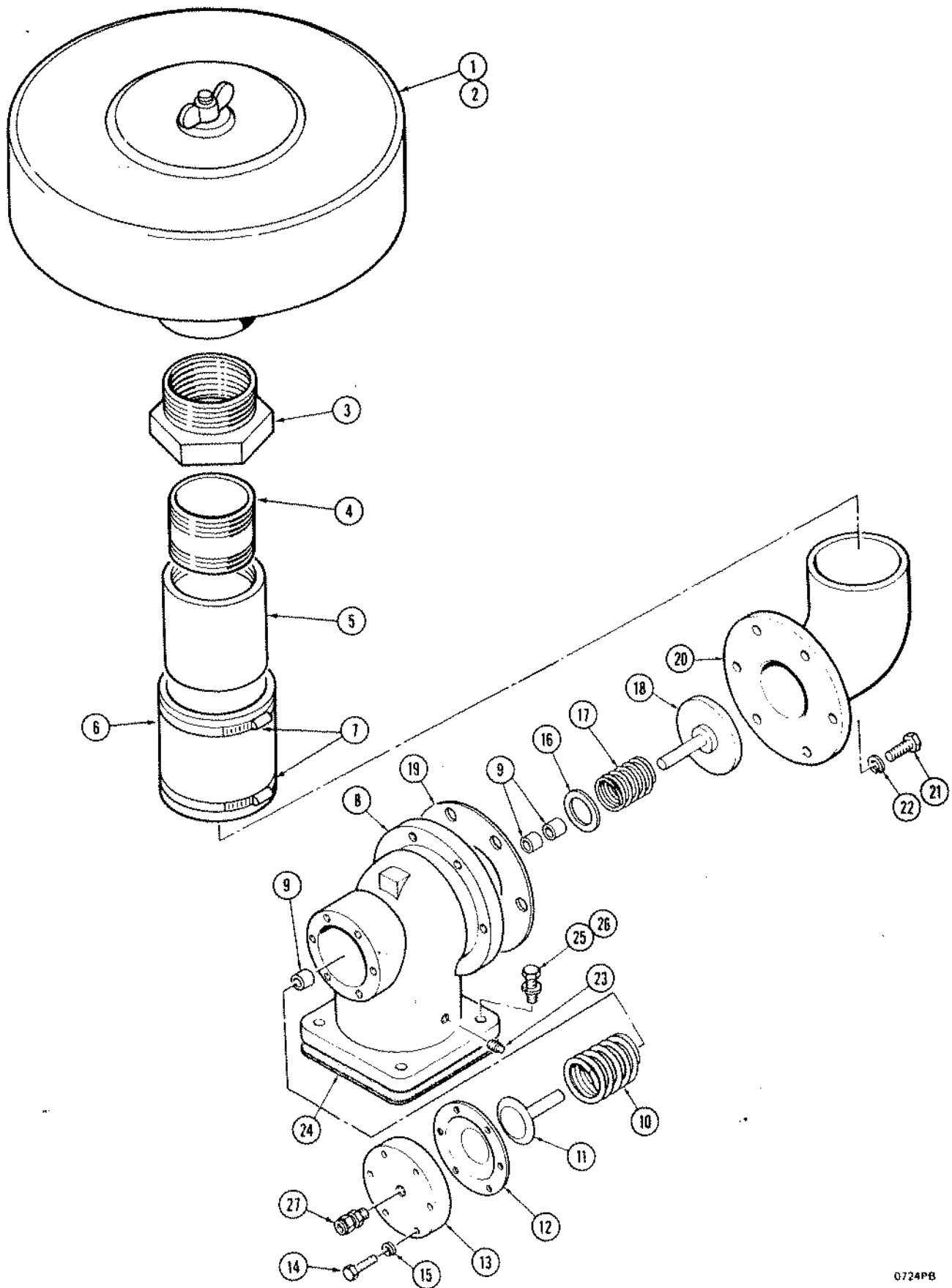
A20-25-30SS

PART NUMBERS

| Ref | Part Description | Qty | A20SS | A25SS | A30SS |
|-----|--------------------------|-----|-----------------------------------|-----------------------------------|-----------------------------------|
| | | | 1G69-683 4028x123 and Later | 1G69-683 4029x270 and Later | 1G69-683 4030x332 and Later |
| 44 | VALVE, Minimum Pressure | 1 | 15-1667 Inc. D to E | • Inc. D to E | • Inc. D to E |
| 44 | BODY, Valve | 1 | 220-182-1--D | • | • |
| 45 | PISTON | 1 | 220-182-3 | • | • |
| 46 | SEAL, O-Ring | 1 | 125-826-29 | • | • |
| 47 | SPRING, Small | 1 | 220-182-2 | • | • |
| 48 | CAP | 1 | 220-159-5 | • | • |
| 49 | SPRING, Large | 1 | 220-159-6 | • | • |
| 50 | PISTON, Check Valve | 1 | 220-159-7 | • | • |
| 51 | SEAT, Teflon | 1 | 220-159-8 | • | • |
| | WASHER, Flat (Shims) | 3 | 06-69--E | •--E | •--E |
| 52 | NIPPLE, Pipe | 1 | 013-177 | • | • |
| 38 | TEE, Pipe | 1 | 013-607 | • | • |
| 53 | BUSHING, Reducing | 1 | 013-0174 | • | • |
| 54 | NIPPLE, Pipe | 1 | 013-1A | • | • |
| 55 | CROSS, Pipe | 1 | 013-631 | • | • |
| 56 | NIPPLE, Pipe | 1 | 013-55 | • | • |
| 57 | ELBOW, Pipe | 1 | 013-492 | • | • |
| 58 | NIPPLE, Pipe | 1 | 013-2 | • | • |
| 59 | VALVE, Blow Down | 1 | 15-1643 | • | • |
| 60 | MUFFLER, Blow Down Valve | 1 | 78-246 | • | • |
| 26 | FITTING | 1 | 182-358 | • | • |
| 61 | TUBE | 1 | 55-1654-4 | • | • |
| 62 | FITTING | 1 | H182-360 | • | • |
| 64 | TUBE | 1 | 55-1654-3 | • | • |
| 15 | FITTING | 3 | 182-383 | • | • |
| 65 | TUBE | 1 | 55-1654-7 | • | • |
| 58 | NIPPLE, Pipe | 1 | 013-2 | • | • |
| 66 | CROSS, Pipe | 1 | 013-632 | • | • |
| 67 | GAGE, Air Pressure | 1 | 60-351 | • | • |
| 68 | FITTING | 1 | 182-382 | • | • |
| 65 | TUBE | 1 | 55-1654-7 | • | • |
| | VALVE, Check | 1 | 15-1646 | • | • |
| | NIPPLE, Pipe | 1 | 013-2A | • | • |
| 15 | FITTING | 1 | 182-383 | • | • |
| 69 | FILTER | 1 | 43-721 | • | • |
| 70 | NIPPLE, Pipe | 1 | 013-2 | • | • |
| 15 | FITTING | 1 | 182-383 | • | • |
| 61 | TUBE | 1 | 55-1654-4 | • | • |
| 71 | FITTING | 2 | 182-726 | • | • |
| 72 | TUBE | 1 | 55-1654-13 | • | • |
| 62 | FITTING | 1 | H182-397 | • | • |
| 73 | TUBE | 2 | 55-1654-3 | • | • |
| 23 | FITTING | 1 | H182-393 | • | • |
| 26 | FITTING | 1 | H182-358 | • | • |

For Receiver Piping see Group 11





PARTS LIST

GROUPS AND COMPONENTS

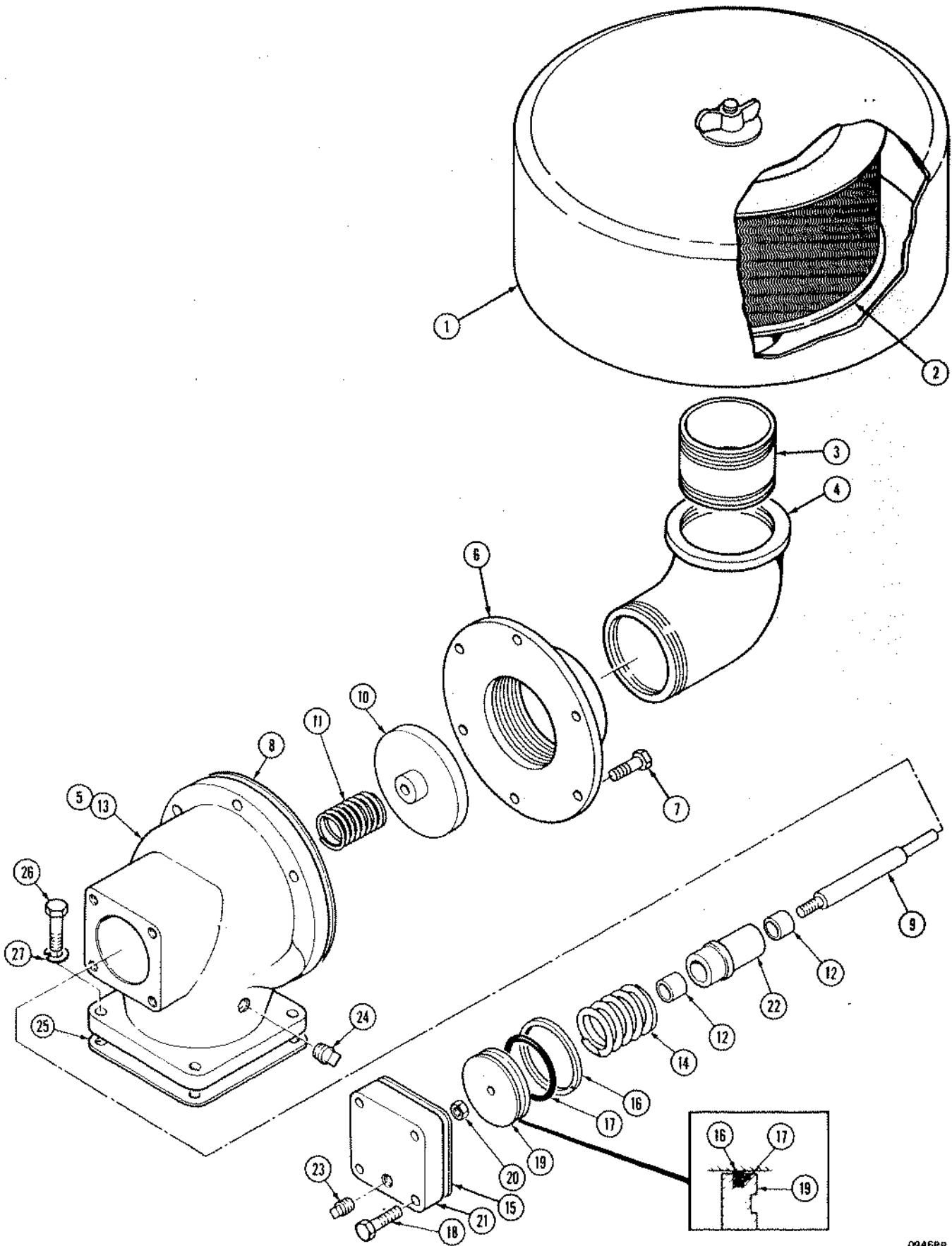
GROUP NO. 3 AIR CLEANER - INTAKE VALVE WITH DIAPHRAGM

MODEL

A20-25-30SS

PART NUMBERS

| Ref | Part Description | Qty | A20SS | A25SS | A30SS |
|-----|---------------------------|-----|---|---|---|
| | | | 7G43-591 G116-270-1 4028x35 and Before | 7G43-591 G116-270-1 4029x46 and Before | 7G43-591 G116-270-1 4030x68 and Before |
| 1 | AIR CLEANER | 1 | 43-591 | • | • |
| 2 | ELEMENT, Air Cleaner | 1 | Inc. A 43-665--A | Inc. A ---A | Inc. A ---A |
| 3 | BUSHING, Reducing | 1 | 013-1092 | • | • |
| 4 | NIPPLE, Pipe | 1 | 013-8 | • | • |
| 5 | COUPLING, Pipe | 1 | 013-708 | • | • |
| 6 | HOSE | 1 | 73-32-12 | • | • |
| 7 | CLAMP, Hose | 2 | 83-621-4 | • | • |
| 8 | INTAKE VALVE ASSEMBLY | 1 | A116-270-1 | • | • |
| 8 | BODY, Valve | 1 | Inc. B to C 116-270-1--B | Inc. B to C --B | Inc. B to C --B |
| 9 | BUSHING | 3 | 21-456 | • | • |
| 10 | SPRING | 1 | 24-178 | • | • |
| 11 | PISTON | 1 | 8-813 | • | • |
| 12 | DIAPHRAGM | 1 | 186-63 | • | • |
| 13 | COVER | 1 | 14-1486 | • | • |
| 14 | SCREW, Cap | 6 | 02-507 | • | • |
| 15 | WASHER, Lock | 6 | 05-49 | • | • |
| 16 | WASHER, Special | 1 | 20-553 | • | • |
| 17 | SPRING | 1 | 24-480 | • | • |
| 18 | VALVE | 1 | 15-1526 | • | • |
| 19 | GASKET | 1 | 16-1869 | • | • |
| 20 | CONNECTION, Air Intake | 1 | 65-1207-4 | • | • |
| 21 | SCREW, Cap | 6 | 02-20 | • | • |
| 22 | WASHER, Lock | 6 | 05-50 | • | • |
| 23 | PLUG, Pipe | 2 | 011-2--C | --C | ---C |
| 24 | GASKET, Intake Valve | 1 | 16-1320 | • | • |
| 25 | SCREW, Cap | 4 | 02-36 | • | • |
| 26 | WASHER, Lock | 4 | 05-51 | • | • |
| 27 | FITTING | 1 | 182-208 | • | • |
| | NIPPLE | 1 | 33-1105 | • | • |
| | VALVE, Pressure Regulator | 1 | 15-1610 | • | • |



PARTS LIST

GROUPS AND COMPONENTS

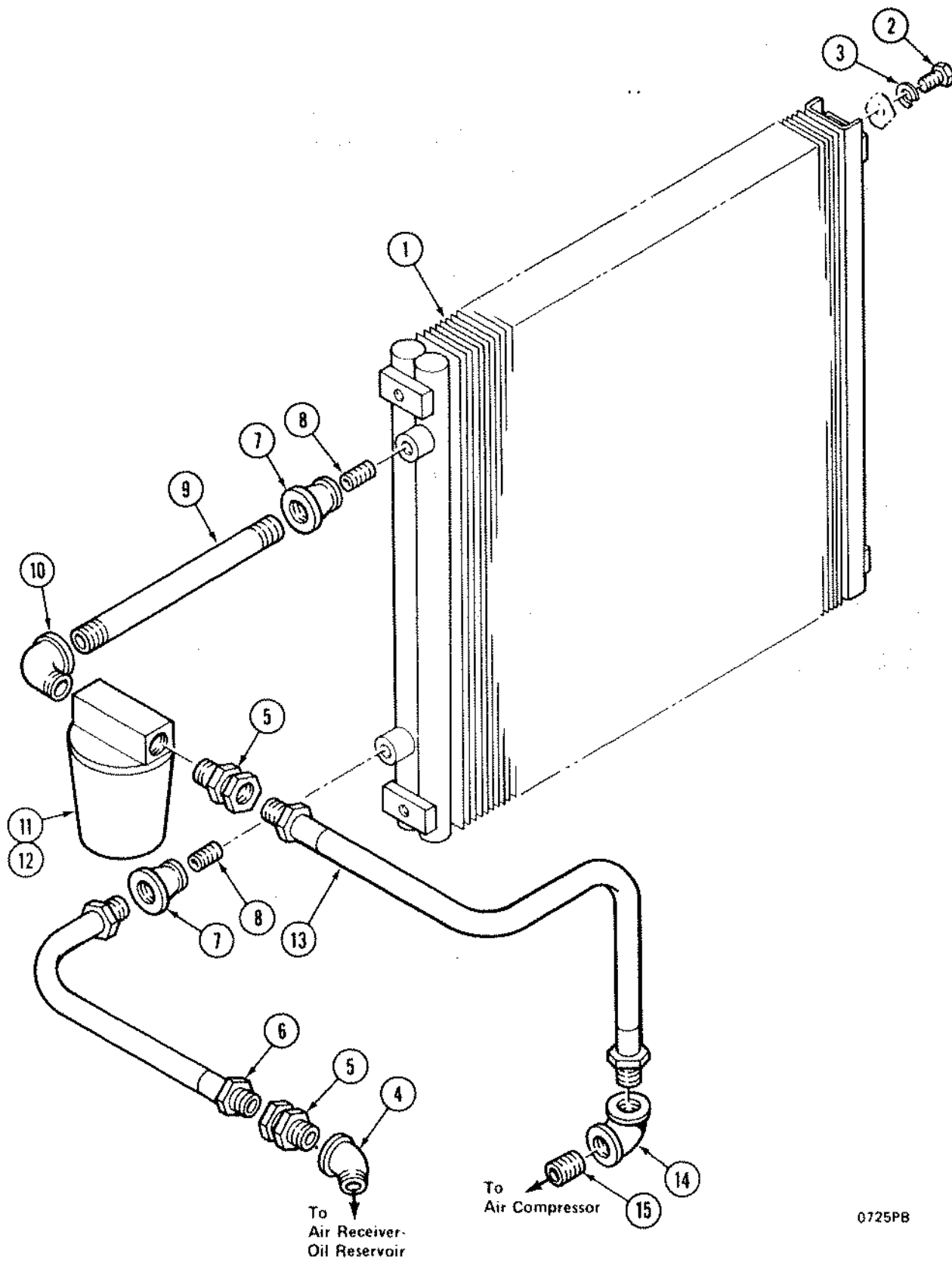
GROUP NO. 3A AIR CLEANER - INTAKE VALVE WITH PISTON RING

MODEL

A20-25-30SS

PART NUMBERS

| Ref | Part Description | Qty | A20SS | A25SS | A30SS |
|-----|------------------------|-----|--|--|--|
| | | | 10G43-591 1G116-407 4028x36 and Later | 10G43-591 1G116-407 4029x47 and Later | 10G43-591 1G116-407 4030x60 and Later |
| 1 | AIR CLEANER | 1 | 43-591 | • | • |
| 2 | ELEMENT, Air Cleaner | 1 | Inc. A 43-665--A | Inc. A •--A | Inc. A •--A |
| 3 | NIPPLE, Pipe | 1 | 33-1139 | • | • |
| 4 | ELBOW, Street | 1 | 013-509 | • | • |
| | INDICATOR, Restriction | 1 | 60-345-1 | • | • |
| 5 | INTAKE VALVE ASSEMBLY | 1 | 1A116-407 | • | • |
| 6 | FLANGE, Air Intake | 1 | Inc. B to C 54-801--B | Inc. B to C •--B | Inc. B to C •--B |
| 7 | SCREW, Cap | 6 | 02-36 | • | • |
| 8 | GASKET | 1 | 16-1892 | • | • |
| 9 | SHAFT | 1 | 27-1811 | • | • |
| 10 | VALVE | 1 | 15-1596 | • | • |
| 11 | SPRING, Small | 1 | 24-752 | • | • |
| 12 | BUSHING | 2 | 21-781 | • | • |
| 13 | BODY | 1 | 116-405-1 | • | • |
| 14 | SPRING, Large | 1 | 24-802 | • | • |
| 15 | GASKET | 1 | 16-1893 | • | • |
| 17* | SEAL, Piston | 1 | 125-908 | • | • |
| 18 | SCREW, Cap | 4 | 02-38 | • | • |
| 19* | PISTON | 1 | 8-808-1 | • | • |
| 20 | NUT, Special | 1 | 53-380 | • | • |
| 21 | RETAINER, Piston | 1 | 31-812 | • | • |
| 22 | BUSHING | 1 | 21-993 | • | • |
| 23 | PLUG, Pipe | 1 | 011-1 | • | • |
| 24 | PLUG, Pipe | 2 | 011-2--C | •--C | •--C |
| 25 | GASKET | 1 | 16-1894 | • | • |
| 26 | SCREW, Cap | 4 | 02-36 | • | • |
| 27 | WASHER, Lock | 4 | 05-51 | • | • |



0725PB

PARTS LIST

GROUPS AND COMPONENTS

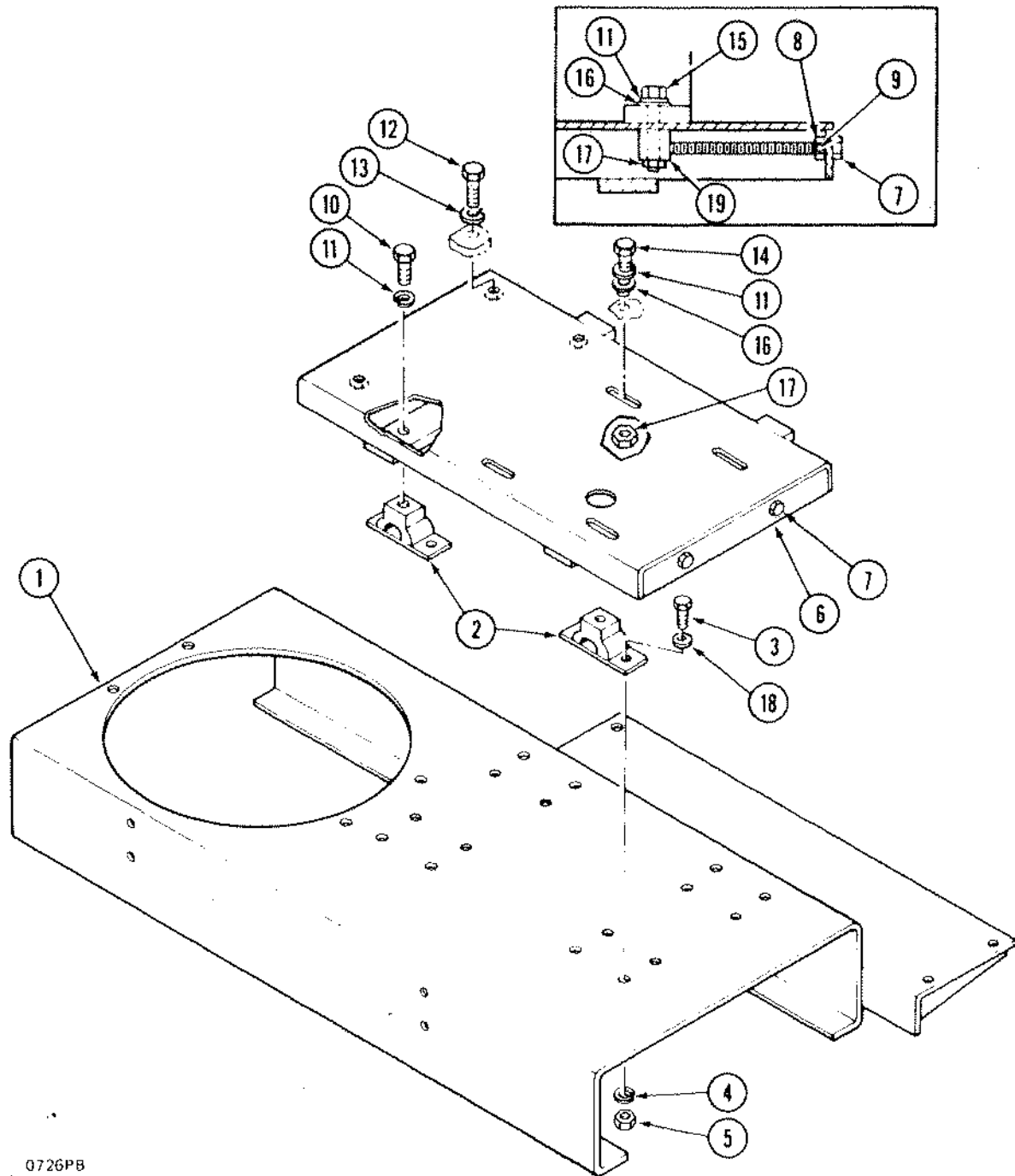
GROUP NO. 4 OIL COOLER - OIL FILTER

MODEL

A20-25-30SS

PART NUMBERS

| Ref | Part Description | Qty | A20SS | A25SS | A30SS |
|-----|---------------------|-----|-----------|----------------|----------------|
| | | | 1G71-795 | 1G71-795 | 1G71-795 |
| 1 | COOLER, Oil | 1 | 71-795 | • | • |
| 2 | SCREW, Cap | 4 | 02-32 | • | • |
| 3 | WASHER, Lock | 4 | 05-51 | • | • |
| 4 | ELBOW, Street | 1 | 013-535 | • | • |
| 5 | FITTING | 1 | 182-465-1 | • | • |
| 6 | HOSE | 1 | 73-368-4 | • | • |
| 7 | COUPLING, Reducing | 1 | 013-724 | • | • |
| 8 | NIPPLE, Pipe | 1 | 013-4A | • | • |
| 8 | NIPPLE, Pipe | 1 | 013-4A | • | • |
| 7 | COUPLING, Reducing | 1 | 013-724 | • | • |
| 9 | NIPPLE, Pipe | 1 | 013-141 | • | • |
| 10 | ELBOW, Street | 1 | 013-505 | • | • |
| 11 | FILTER, Oil | 1 | 43-592 | • | • |
| 12 | ELEMENT, Oil Filter | 1 | 43-657--A | Inc. A •--A | Inc. A •--A |
| 5 | FITTING | 1 | 182-465-1 | • | • |
| 13 | HOSE | 1 | 73-368-17 | • | • |
| 14 | ELBOW, Pipe | 1 | 013-455 | • | • |
| 15 | NIPPLE, Pipe | 1 | 013-93 | • | • |



0726PB

PARTS LIST

GROUPS AND COMPONENTS

GROUP NO. 5 UNIT BASE - BEDPLATE

MODEL

A20-25-30SS

PART NUMBERS

| Ref | Part Description | Qty | A20SS | A25SS | A30SS |
|-----|-----------------------|-----|-----------------------------|-----------------------------|-----------------------------|
| | | | G118-1006-3 G118-1005-3 | G118-1006-3 G118-1005-4 | G118-1006-3 G118-1005-5 |
| 1 | BASE, Weldment | 1 | A118-1006-3 | • | • |
| 2 | ISOLATOR, Vibration | 8 | 74-208-1 | • | • |
| 3 | SCREW, Cap | 16 | 02-18 | • | • |
| 4 | WASHER, Lock | 16 | 05-50 | • | • |
| 5 | NUT | 16 | 04-102 | • | • |
| 6 | BEDPLATE ASSEMBLY | 1 | A118-1005-3 | A118-1005-4 | A118-1005-5 |
| | BEDPLATE (NSS) | 1 | Inc. A to D 118-1005-3-A | Inc. A to D 118-1005-4-A | Inc. A to D 118-1005-5-A |
| | FEET (NSS) | 2 | 221-7233 | • | • |
| | PLATE ASSEMBLY (NSS) | 1 | A221-7234 | • | • |
| | PLATE (NSS) | 1 | Inc. B to C 221-7234--B | Inc. B to C --B | Inc. B to C --B |
| 7 | BOLT | 2 | 34-211-1 | • | • |
| 8 | NUT | 2 | 04-108 | • | • |
| 9 | PIN, Roll | 2 | 17-593--C | --C | --C |
| | NUT, Compressor (NSS) | 4 | 04-104--D | --D | --D |
| 10 | SCREW, Cap | 4 | 02-70 | • | • |
| 11 | WASHER, Lock | 4 | 05-53 | • | • |
| 12 | SCREW, Cap | 4 | 02-57 | • | • |
| 13 | WASHER, Lock | 4 | 05-52 | • | • |
| 14 | SCREW, Cap | 2 | 02-72 | • | • |
| 15 | SCREW, Cap | 2 | 02-76 | • | • |
| 16 | WASHER, Flat | 4 | 06-71 | • | • |
| 11 | WASHER, Lock | 4 | 05-53 | • | • |
| 17 | NUT, Motor | 4 | 04-105 | • | • |
| 18 | WASHER, Flat | 1 | 06-4 | • | • |
| | WIRE | 1 | 61-483-1 | • | • |
| 19 | SLIDE, Belt Adjusting | 1 | 142-207 | • | • |

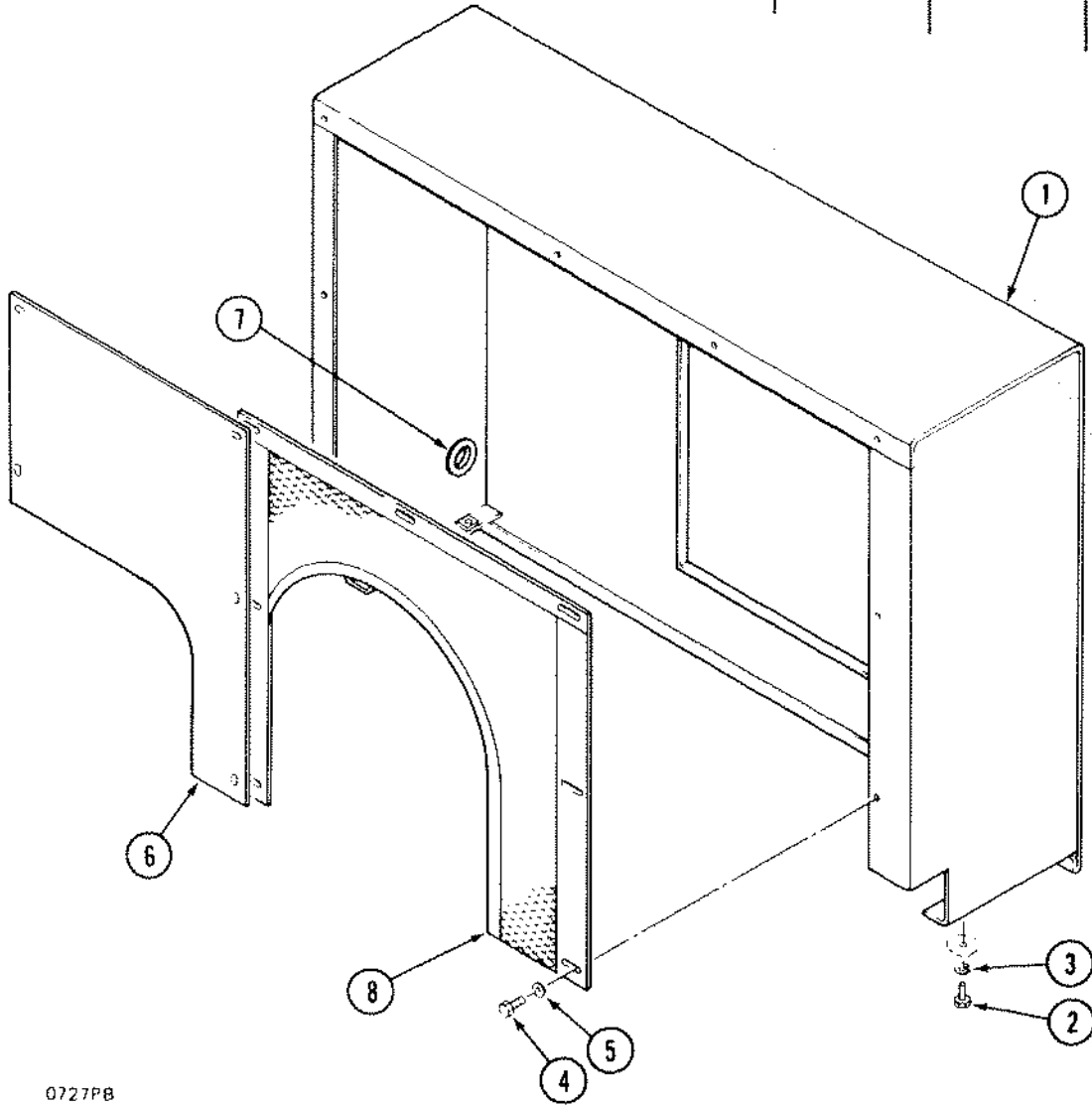
PARTS LIST GROUPS AND COMPONENTS

GROUP NO. 6 BELT GUARD

MODEL
A20-25-30SS

PART NUMBERS

| Ref | Part Description | Qty | A20SS | A25SS | A30SS |
|-----|-------------------------------|-----|-----------|------------|------------|
| | | | 1G156-625 | 2G156-625 | 2G156-625 |
| 1 | GUARD, Belt | 1 | A156-625 | • | • |
| 2 | SCREW, Cap | 4 | 02-32 | • | • |
| 3 | WASHER, Lock | 4 | 05-51 | • | • |
| 4 | SCREW, Special | 9 | 34-1201 | • | • |
| 5 | WASHER, Flat | 9 | 06-1 | • | • |
| 6 | COVER, Inner (Compressor End) | 1 | A156-677 | • | • |
| 7 | GROMMET | 1 | C150-7 | • | • |
| 8 | COVER, Inner (Motor End) | 1 | A156-678 | A156-678-1 | A156-678-1 |



0727PB

PARTS LIST

GROUPS AND COMPONENTS

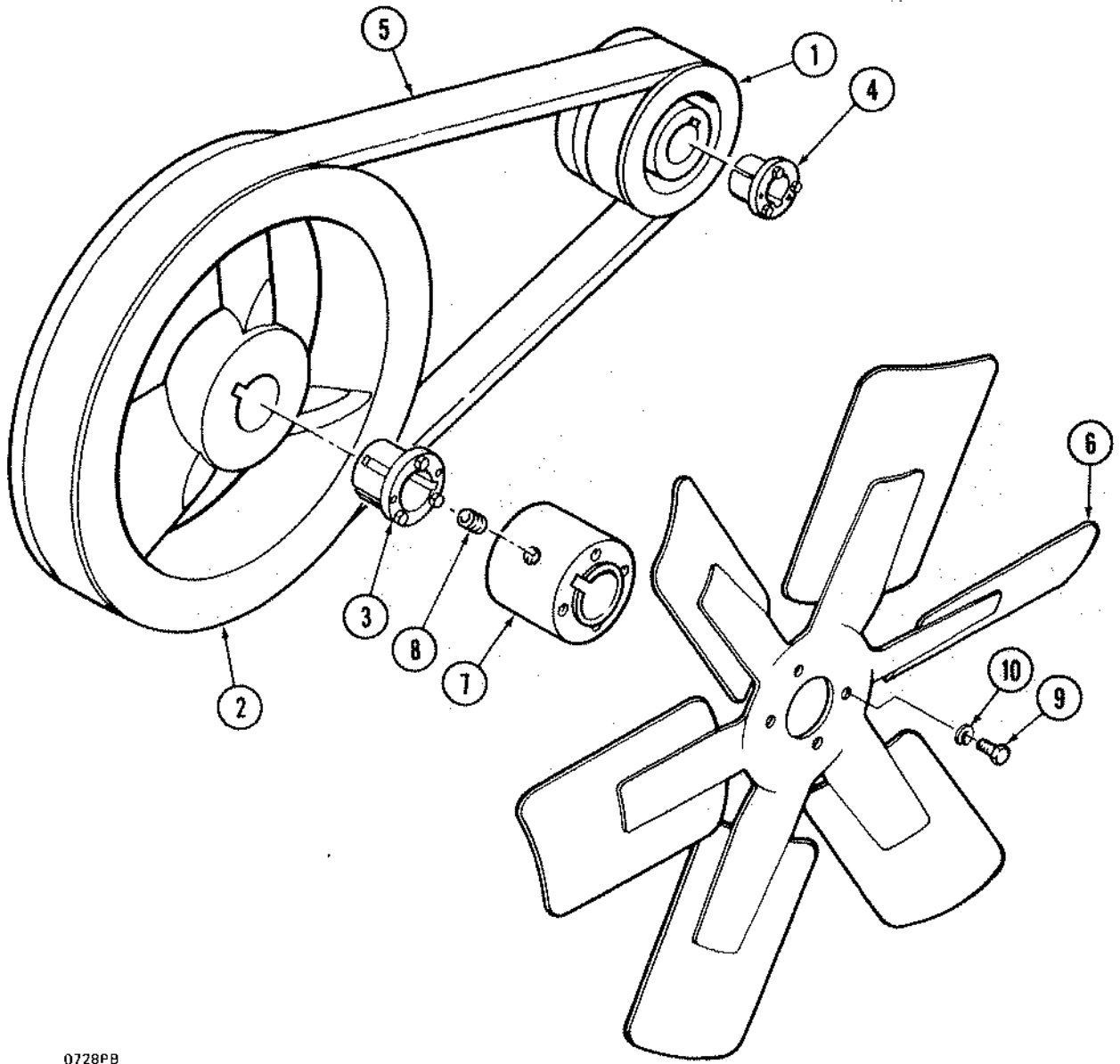
GROUP NO. 7 CONTROLS - LINE STARTERS - STARTER MOUNTING

MODEL

A20-25-30SS

PART NUMBERS

| Ref | Part Description | Qty | A20SS | A25SS | A30SS |
|-----|---|-----|------------|-----------|------------|
| | | | 1G39-5101 | 1G39-5101 | 1G39-5101 |
| | STARTER, Line (200V) | 1 | 76-841-12 | 76-841-16 | 76-841-20 |
| | STARTER, Line (230V) | 1 | 76-841-13 | 76-841-17 | 76-841-21 |
| | STARTER, Line (460V) | 1 | 76-841-14 | 76-841-18 | 76-841-22 |
| | STARTER, Line (575V) | 1 | 76-841-15 | 76-841-19 | 76-841-23 |
| | BRACKET, Starter Mounting | 1 | 39-5101 | • | • |
| | SCREW, Cap, Receiver Top | 1 | 02-34 | • | • |
| | SCREW, Cap, Starter Top | 1 | 02-35 | • | • |
| | WASHER, Flat | 3 | 06-69 | • | • |
| | WASHER, Lock | 3 | 05-51 | • | • |
| | NUT | 1 | 04-103 | • | • |
| | SCREW, Cap, Base | 2 | 02-36 | • | • |
| | WASHER, Lock | 2 | 05-51 | • | • |
| | WASHER, Flat | 2 | 06-69 | • | • |
| | NUT | 2 | 04-103 | • | • |
| | BOX, Line Starter | 1 | 220-139 | • | • |
| | STARTER, Magnetic (200V) | 1 | 220-139-2 | • | 220-139-3 |
| | STARTER, Magnetic (230V) | 1 | 220-139-2 | • | • |
| | STARTER, Magnetic (460V) | 1 | 220-139-1 | • | 220-139-2 |
| | STARTER, Magnetic (575V) | 1 | 220-139-1 | • | 220-139-2 |
| | HEATER, Over Load (200V) | 3 | H139-209 | H139-221 | 139-248-2 |
| | HEATER, Over Load (230V) | 3 | 139-248 | H139-228 | H139-221 |
| | HEATER, Over Load (460V) | 3 | H139-222 | 139-248-1 | 139-248-3 |
| | HEATER, Over Load (575V) | 3 | H139-299 | H139-222 | 139-248-4 |
| | TRANSFORMER, CPT (200V) | 1 | 220-139-7 | • | 220-139-10 |
| | TRANSFORMER, CPT (230V) | 1 | 220-139-8 | • | • |
| | TRANSFORMER, CPT (460V) | 1 | 220-139-5 | • | 220-139-8 |
| | TRANSFORMER, CPT (575V) | 1 | 220-139-6 | • | 220-139-9 |
| | SWITCH, Mode Selector (SS1) | 1 | 220-139-11 | • | • |
| | SWITCH, Pressure, Large (PS1), "ASCO" | 1 | 76-833 | • | • |
| | SWITCH, Pressure, Large (PS1), "Square D" | 1 | 76-911 | • | • |
| | VALVE, Solenoid, Control Air, (SV1) | 1 | 220-139-14 | • | • |
| | VALVE, Solenoid, Receiver-Oil Reservoir Blow Down, (SV2) | 1 | 220-139-15 | • | • |
| | RELAY, High Air Temperature, (CR1) | 1 | 220-139-16 | • | • |
| | BOARD, Terminal | 1 | 220-139-20 | • | • |
| | LIGHT, High Temperature Indicating, (1PL) | 1 | 220-139-21 | • | • |
| | SWITCH, Pressure, Small (PS2) | 1 | 220-139-23 | • | • |
| | HOURMETER (60 Hz) | 1 | 60-457 | • | • |
| | HOURMETER (50 Hz) | 1 | 60-457 | • | • |



0728PB

PARTS LIST

GROUPS AND COMPONENTS

GROUP NO. 8 DRIVE GROUP - FAN

MODEL

A20-25-30SS

PART NUMBERS

| Ref | Part Description | Qty | A20SS | A25SS | A30SS |
|---------------------------------|---------------------------------------|-----|-----------|-----------|-----------|
| | | | 636-1240 | 1G36-1240 | 2G36-1240 |
| <u>100 PSI OPERATION</u> | | | | | |
| 1 | PULLEY, Compressor | 1 | 36-1240 | • | • |
| 2 | PULLEY, Motor | 1 | 36-1240 | 36-1240-3 | 36-1240-1 |
| 3 | HUB, Taper Bushing, Motor Pulley | 1 | 132-190 | 132-190-1 | 132-190-1 |
| 4 | HUB, Taper Bushing, Compressor Pulley | 1 | 132-190-2 | • | • |
| 5 | BELT | 1 | 41-601 | 41-601-1 | 41-601-2 |
| 6 | FAN | 1 | 42-250-1 | • | • |
| 7 | HUB, Fan | 1 | 132-182 | 132-183-1 | 132-183-1 |
| 8 | SCREW, Set | 1 | H34-560 | 014-3029 | 014-3029 |
| 9 | SCREW, Cap | 4 | 02-518 | • | • |
| 10 | WASHER, Lock | 4 | 05-50 | • | • |
| <u>125 PSI OPERATION</u> | | | | | |
| 1 | PULLEY, Compressor | 1 | 36-1240-2 | 36-1240-4 | 36-1240-4 |
| 2 | PULLEY, Motor | 1 | 36-1240 | 36-1240-3 | 36-1240-1 |
| 3 | HUB, Taper Bushing, Motor Pulley | 1 | 132-190 | 132-190-1 | 132-190-1 |
| 4 | HUB, Taper Bushing, Compressor Pulley | 1 | 132-190-2 | • | • |
| 5 | BELT | 1 | 41-601-4 | 41-601-1 | 41-601-2 |
| 6 | FAN | 1 | 42-250-1 | • | • |
| 7 | HUB, Fan | 1 | 132-182 | 132-183-1 | 132-183-1 |
| 8 | SCREW, Set | 1 | H34-560 | 014-3029 | 014-3029 |
| 9 | SCREW, Cap | 4 | 02-518 | • | • |
| 10 | WASHER, Lock | 4 | 05-50 | • | • |



PARTS LIST

GROUPS AND COMPONENTS

GROUP NO. 9 ELECTRIC MOTORS

MODEL

A20-25-30SS

PART NUMBERS

| Ref | Part Description | Qty | A20SS | A25SS | A30SS |
|-----|---------------------------|-----|-------------|-------------|-------------|
| | MOTOR, O.D.P. (200V) | 1 | H107-697-24 | H107-697-27 | H107-697-30 |
| | MOTOR, O.D.P. (230V/460V) | 1 | H107-697-25 | H107-697-28 | H107-697-31 |
| | MOTOR, O.D.P. (575V) | 1 | H107-697-26 | H107-697-29 | H107-697-32 |

GROUP NO. 10 RECEIVERS

MODEL

A20-25-30SS

PART NUMBERS

| Ref | Part Description | Qty | A20SS | A25SS | A30SS |
|-----|-----------------------------------|-----|------------|-----------|-----------|
| | RECEIVER, (120 gallon) Horizontal | 1 | 11G69-644 | 11G69-644 | 11G69-644 |
| | RECEIVER, (200 gallon) Horizontal | 1 | 9G69-643 | 9G69-643 | 9G69-643 |
| | SCREW, Cap | 4 | 10A69-644 | • | • |
| | WASHER, Lock | 4 | 9A69-643 | • | • |
| | NUT | 4 | 02-69 | • | • |
| | | 4 | 05-53 | • | • |
| | | 4 | 04-105 | • | • |
| | VALVE, Safety | 1 | 15-1270-1 | • | • |
| | BUSHING, Pipe Reducer | 1 | 013-1077 | • | • |
| | PLUG, Pipe, Receiver End | 1 | 011-207 | • | • |
| | PLUG, Pipe, Receiver Top | 1 | 011-206 | • | • |
| | VALVE, Drain | 1 | H15-689 | • | • |
| | VALVE, Service | 1 | H15-1292-2 | • | • |
| | BUSHING, Pipe Reducer | 1 | 013-1079 | • | • |
| | NIPPLE, Pipe | 1 | 013-26 | • | • |
| | PLUG, Pipe | 1 | 011-2 | • | • |



PARTS LIST

GROUPS AND COMPONENTS

GROUP NO. 13 AFTERCOOLER - BEDPLATE MOUNTING

MODEL

A20-25-30SS

PART NUMBERS

| | | PART NUMBERS | | |
|-----|--------------------------|-------------------|-------------------|-------------------|
| | | A20SS | A25SS | A30SS |
| | | <u>11GH71-687</u> | <u>11GH71-687</u> | <u>11GH71-687</u> |
| Ref | Part Description | Qty | | |
| | AFTERCOOLER | 1 | 1AH71-687 | • |
| | CLAMP, Mounting "U" Bolt | 2 | 34-1195 | • |
| | SPACER | 2 | 22-933 | • |
| | NIPPLE, Pipe | 1 | 013-7D | • |
| | VALVE, Minimum Pressure | 1 | See Group 2 or 2A | |
| | NIPPLE, Pipe | 1 | 013-171 | • |
| | TEE, Pipe | 1 | 013-607 | • |
| | FITTING, Tube | 2 | H182-376 | • |
| | TUBE | 1 | 55-2351 | • |
| | PLUG, Pipe | 4 | 011-204 | • |
| | NIPPLE, Pipe (Water) | 1 | 013-4A | • |
| | VALVE, Water | 1 | H15-1292 | • |

GROUP NO. 14 MOISTURE DRAIN

MODEL

A20-25-30SS

PART NUMBERS

| | | PART NUMBERS | | |
|-----|-----------------------|-----------------|-----------------|-----------------|
| | | A20SS | A25SS | A30SS |
| | | <u>3G43-671</u> | <u>3G43-671</u> | <u>3G43-671</u> |
| Ref | Part Description | Qty | | |
| | TRAP, Inverted Bucket | 1 | H43-671 | • |
| | BUSHING, Pipe Reducer | 1 | 013-1078 | • |
| | NIPPLE, Special Blind | 1 | H33-828 | • |
| | TEE, Pipe | 1 | 013-1607 | • |
| | NIPPLE | 3 | 013-4A | • |
| | STRAINER | 1 | H33-829 | • |
| | TEE | 1 | 013-1604 | • |
| | FITTING | 1 | H182-355 | • |
| | TUBE | 1 | 55-48-31 | • |
| | FITTING, Elbow | 1 | H182-357 | • |
| | BUSHING, Pipe Reducer | 1 | 013-1066-3 | • |

PARTS LIST GROUPS AND COMPONENTS

GROUP NO. 11 DISCHARGE PIPING - RECEIVER MOUNTING WITHOUT AFTERCOOLER

MODEL

A20-25-30SS

PART NUMBERS

| | | PART NUMBERS | | |
|-----|----------------------|--------------|-----------|-----------|
| | | A20SS | A25SS | A30SSS |
| | | 1G33-22-1 | 1G33-22-1 | 1G33-22-1 |
| Ref | Part Description | Qty | | |
| | ELBOW, Pipe | 2 | 013-407 | • |
| | NIPPLE, Pipe Special | 2 | 33-22-14 | • |
| | COUPLING, Special | 1 | 28-428 | • |
| | NIPPLE, Pipe | 1 | 013-7H | • |
| | ELBOW, Pipe, Street | 1 | 013-507 | • |
| | NIPPLE, Pipe | 1 | 013-27 | • |

GROUP NO. 12 AFTERCOOLER PIPING - RECEIVER MOUNTING

MODEL

A20-25-30SS

PART NUMBERS

| | | PART NUMBERS | | |
|-----|-------------------------|--------------|------------|-------------------|
| | | A20SS | A25SS | A30SS |
| | | 12GH71-687 | 12GH71-687 | 12GH71-687 |
| Ref | Part Description | Qty | | |
| | AFTERCOOLER | 1 | 1AH71-687 | • |
| | BOLT, "U" Mounting | 2 | 34-1195 | • |
| | SPACER | 2 | 22-933 | • |
| | NIPPLE, Pipe | 1 | 013-7D | • |
| | VALVE, Minimum Pressure | 1 | | See Group 2 or 2A |
| | NIPPLE, Pipe | 1 | 013-171 | • |
| | TEE, Pipe | 1 | 013-607 | • |
| | FITTING, Tube | 2 | H182-376 | • |
| | TUBE | 1 | 55-2351 | • |
| | PLUG, Pipe | 4 | 011-204 | • |
| | NIPPLE, Pipe (Water) | 1 | 013-4A | • |
| | VALVE | 1 | H15-1292 | • |
| | FITTING, Elbow | 1 | H182-300 | • |
| | TUBE, Aftercooler Out | 1 | 55-2321 | • |
| | FITTING | 1 | H182-376 | • |
| | TEE, Pipe, Reducer | 1 | 013-1642 | • |
| | NIPPLE, Pipe | 1 | 013-7D | • |

PARTS LIST

GROUPS AND COMPONENTS

GROUP NO. 15 DRAIN, BUCKET HIGH

MODEL

A20-25-30SS

PART NUMBERS

| Ref | Part Description | Qty | A20SS | A25SS | A30SS |
|-----|------------------------|-----|------------|-----------|-----------|
| | | | GH15-1444 | GH15-1444 | GH15-1444 |
| | VALVE | 1 | H15-1444 | • | • |
| | TEE, Pipe | 1 | 013-1869 | • | • |
| | FITTING | 1 | H182-381 | • | • |
| | TUBE | 1 | 55-48-64 | • | • |
| | FITTING, Elbow | 1 | H182-357 | • | • |
| | BUSHING, Pipe, Reducer | 1 | 013-1066-3 | • | • |
| | NIPPLE, Pipe, Special | 1 | H33-831 | • | • |
| | BUSHING, Pipe, Reducer | 1 | 013-1074-3 | • | • |

GROUP NO. 16 DECALS AND LABELS

MODEL

A20-25-30SS

PART NUMBERS

| Ref | Part Description | Qty | A20SS | A25SS | A30SS |
|-----|-----------------------------------|-----|-----------|---------|---------|
| | | | G62-647 | G62-647 | G62-647 |
| | LABEL, Maintenance Instruction | 1 | 62-870 | • | • |
| | MARKER, Oil Level | 1 | 62-644 | • | • |
| | LABEL, Voltage (200V) | 1 | H62-628 | • | • |
| | LABEL, Voltage (230V) | 1 | H62-628-1 | • | • |
| | LABEL, Voltage (460V) | 1 | H62-628-2 | • | • |
| | LABEL, Voltage (575V) | 1 | H62-628-3 | • | • |
| | LABEL, High Temperature Shut Down | 1 | 62-559 | • | • |
| | DECAL, Ground Warning | 1 | 62-742 | • | • |
| | DECAL, Warning Disconnect Power | 1 | 62-598 | • | • |
| | DECAL, "LeROI" | 1 | 62-778-2 | • | • |

PARTS LIST GROUPS AND COMPONENTS

GROUP NO. 17 MASSACHUSETTS PEDESTAL

MODEL

A20-25-30SS

PART NUMBERS

| A20SS | A25SS | A30SS | |
|-------------|-----------|-----------|--|
| GH39-4839 | GH39-4839 | GH39-4839 | |
| 2 AH39-4839 | • | • | |
| 4 02-103 | • | • | |
| 4 05-55 | • | • | |
| 4 04-108 | • | • | |

| Ref | Part Description | Qty |
|-----|-------------------|-----|
| | PEDESTAL ASSEMBLY | 2 |
| | SCREW, Cap | 4 |
| | WASHER, Lock | 4 |
| | NUT | 4 |

GROUP NO. 18 MASSACHUSETTS CODE KIT

MODEL

A20-25-30SS

PART NUMBERS

| A20SS | A25SS | A30SS | |
|------------|----------|----------|--|
| GH15-666 | GH15-666 | GH15-666 | |
| 1 H15-666 | • | • | |
| 2 H33-716 | • | • | |
| 1 H33-715 | • | • | |
| 1 H15-1443 | • | • | |

| Ref | Part Description | Qty |
|-----|------------------|-----|
| | VALVE, Drain | 1 |
| | NIPPLE, Pipe | 2 |
| | TEE | 1 |
| | VALVE | 1 |



