



INDEX to

MODEL

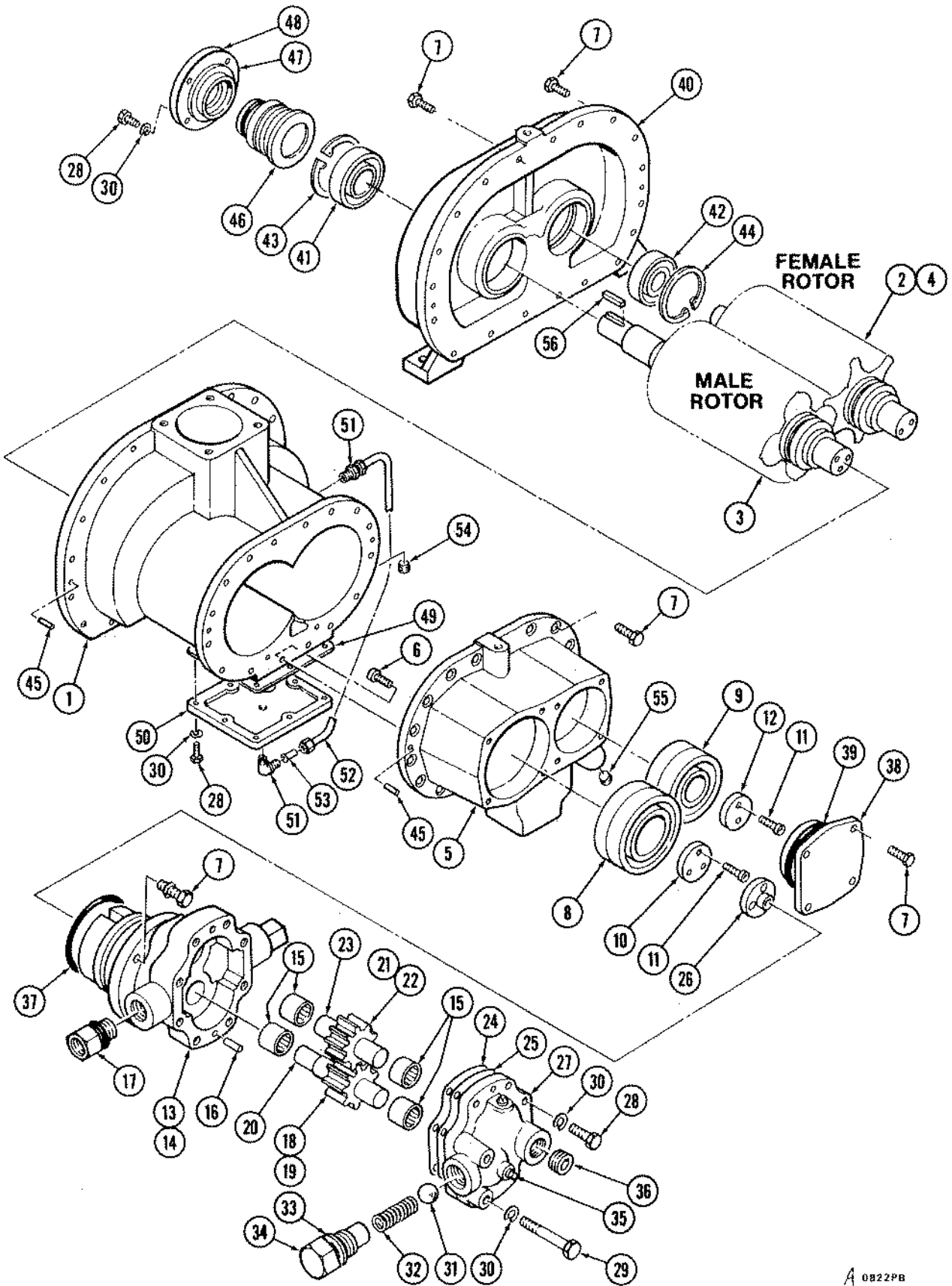
COMPOSITE GROUPS

40SS-50SS-75SS

OCTOBER 1986

4001x 4002-x

GROUP NUMBER	GROUP NAME	GROUP NUMBER	GROUP NAME
1	COMPRESSOR, Basic	17	HOUSING VENTILATION FAN
2	AIR RECEIVER-OIL RESERVOIR		Water Cooled Units Only
3	AIR CLEANER-INTAKE VALVE ASSEMBLY	18	FAN CONTACTORS (Optional Cold Weather Fan Control)
4	OIL FILTER	19	LINE STARTER MOUNTING BRACKETS AND HARDWARE, Without Housing (200 Volts)
5	UNIT BASE-Drive Coupling and Electric Motors		
6	CONTROLS-(One Model Without Housing)	20	LINE STARTER MOUNTING BRACKETS AND HARDWARE, Without Housing (230 Volts)
7	CONTROLS-(Two Mode Without Housing)		
8	CONTROLS-(One Mode With Housing)	21	LINE STARTER MOUNTING BRACKETS AND HARDWARE, Without Housing (460 Volts)
9	CONTROLS-(Two Mode With Housing)		
10	CONTROLS-(Third Mode Adapter Kit)	22	LINE STARTER MOUNTING BRACKETS AND HARDWARE, Without Housing (575 Volts)
11	STANDARD HOUSING-WEATHER DUCT		
12	OIL COOLER-AIR COOLED UNITS (With Housing)	23	LINE STARTER MOUNTING HARDWARE WITH HOUSING (200 Volts)
13	AFTERCOOLER-AIR COOLED-Optional Moisture Separator	24	LINE STARTER MOUNTING HARDWARE, With Housing (230 Volts)
14	COOLER SUPPORT-AIR COOLED UNITS (Without Housing)	25	LINE STARTER MOUNTING HARDWARE, With Housing (460 Volts)
15	OIL COOLER-WATER COOLED UNITS-Optional Water Shut-Off Valve	26	LINE STARTER MOUNTING HARDWARE, With Housing (575 Volts)
16	AFTERCOOLER-WATER COOLED, Automatic Temperature Control	27	LINE STARTER, (With Over-Load Heaters And Control Transformer)
	40SS, S/N 4001x165 & Before	28	SYSTEM RECEIVERS
	50SS, S/N 4002x156 & Before	29	LABELS AND DECALS (Instruction and Safety)
	75SS, S/N 4001x164 & Before		
16A	AFTERCOOLER-WATER COOLED, Automatic Temperature Control		
	40SS, S/N 4001x166 & Later		
	50SS, S/N 4002x157 & Later		
	75SS, S/N 4001x168 & Later		





GROUPS AND COMPONENTS

Group No. 1

COMPRESSOR, BASIC

MODEL

40SS
50SS
75SS

PART NUMBERS

40SS	50SS	75SS		
G1-746	1G1-747	G1-746		

Ref.	Part Description	Qty.				
	AIR END ASSEMBLY, With Intake And Discharge Flange Gaskets And Oil Pump.	1	A219-17	A219-18	●	
1	CYLINDER, (NSS)	1	1-746-1	1-747-1	●	
2	SET, Rotor (NSS)	1	A204-623	A204-624	●	
			Inc. A & B	Inc. A & B	Inc. A & B	
3	ROTOR, Male (NSS)	1	101-126--A	101-127--A	●--A	
4	ROTOR, Female (NSS)	1	101-125--B	101-128--B	●--B	
5	RETAINER, Outlet Casing & Bearing (NSS)	1	31-699-2	●	●	
6	SCREW, Cap, Allen Head	2	34-1235	●	●	
7	SCREW, Cap	14	02-71	●	●	
8	BEARING, Male Rotor (NSS)	2	181-407	●	●	
9	BEARING, Female Rotor (NSS)	2	181-406	●	●	
10	PLATE, Bearing Retainer Male	1	38-917	●	●	
11	SCREW, Cap	3	M34-34	34-680	●	
12	PLATE, Bearing Retainer Female	1	38-916	●	●	
11	SCREW, Cap	2	M34-34	34-680	●	
13	OIL PUMP ASSEMBLY	1	A81-331-2	A81-331-3	●	
			Inc. C to L	Inc. C to L	Inc. C to L	
13	BODY ASSEMBLY, Oil Pump	1	1A81-331-2--C	1A81-331-3--C	●--C	
			Inc. D to E	Inc. D to E	Inc. D to E	
14	BODY, Oil Pump (NSS)	1	81-331-2--D	81-331-3--D	●--D	
15	BEARING, Needle (NSS)	2	181-569	●	●	
16	PIN, Dowel (NSS)	2	17-979	●	●	
17	FITTING, O-ring Thread Adapter	2	182-747--E	●--E	●--E	
18	DRIVE GEAR ASSEMBLY	1	A26-840	A26-841	●	
			Inc. F & G	Inc. F & G	Inc. F & G	
19	GEAR, Oil Pump (NSS)	1	26-840--F	26-841--F	●--F	
20	SHAFT, Oil Pump Drive (NSS)	1	27-1781--G	27-1783--G	●--G	
21	IDLER GEAR ASSEMBLY	1	1A26-840	1A26-841	●	
			Inc. H & I	Inc. H & I	Inc. H & I	
22	GEAR, Oil Pump (NSS)	1	26-840--H	26-841--H	●--H	
23	SHAFT Oil Pump Idler (NSS)	1	27-1780--I	27-1782--I	●--I	
24	GASKET (.003" Thick)	1	16-1990	●	●	
26	COUPLING, Drive	1	28-433	●	●	
27	COVER ASSEMBLY, Oil Pump	1	A14-1358	●	●	
			Inc. J & K	Inc. J & K	Inc. J & K	
27	COVER, Rear, Oil Pump (NSS)	1	14-1358--J	●--J	●--J	
15	BEARING, Needle (NSS)	2	181-569--K	●--K	●--K	
28	SCREW, Cap	6	02-37	●	●	
29	SCREW, Cap	2	02-43	●	●	
30	WASHER, Lock	8	05-51	●	●	
31	BALL, Valve Relief	1	30-68	●	●	
32	SPRING	1	24-673	●	●	
33	WASHER (GASKET)	1	20-785	●	●	
34	SCREW, Relief Valve	1	34-1203	●	●	
35	PLUG, Pipe	3	011-1	●	●	
36	PLUG, Pipe	1	011-104--L	●--L	●--L	
37	O-RING	1	125-826-11	●	●	
7	SCREW, Cap	4	02-71	●	●	
38	COVER, Female Bearing	1	14-1381	●	●	
39	O-RING	1	125-826-10	●	●	
7	SCREW, Cap	4	02-71	●	●	
40	RETAINER, Bearing, Inlet Casing (NSS)	1	31-738	●	●	

Continued on next page.

● Part number is same as in first column.



GROUPS AND COMPONENTS

Group No. 1

COMPRESSOR, BASIC

MODEL

40SS

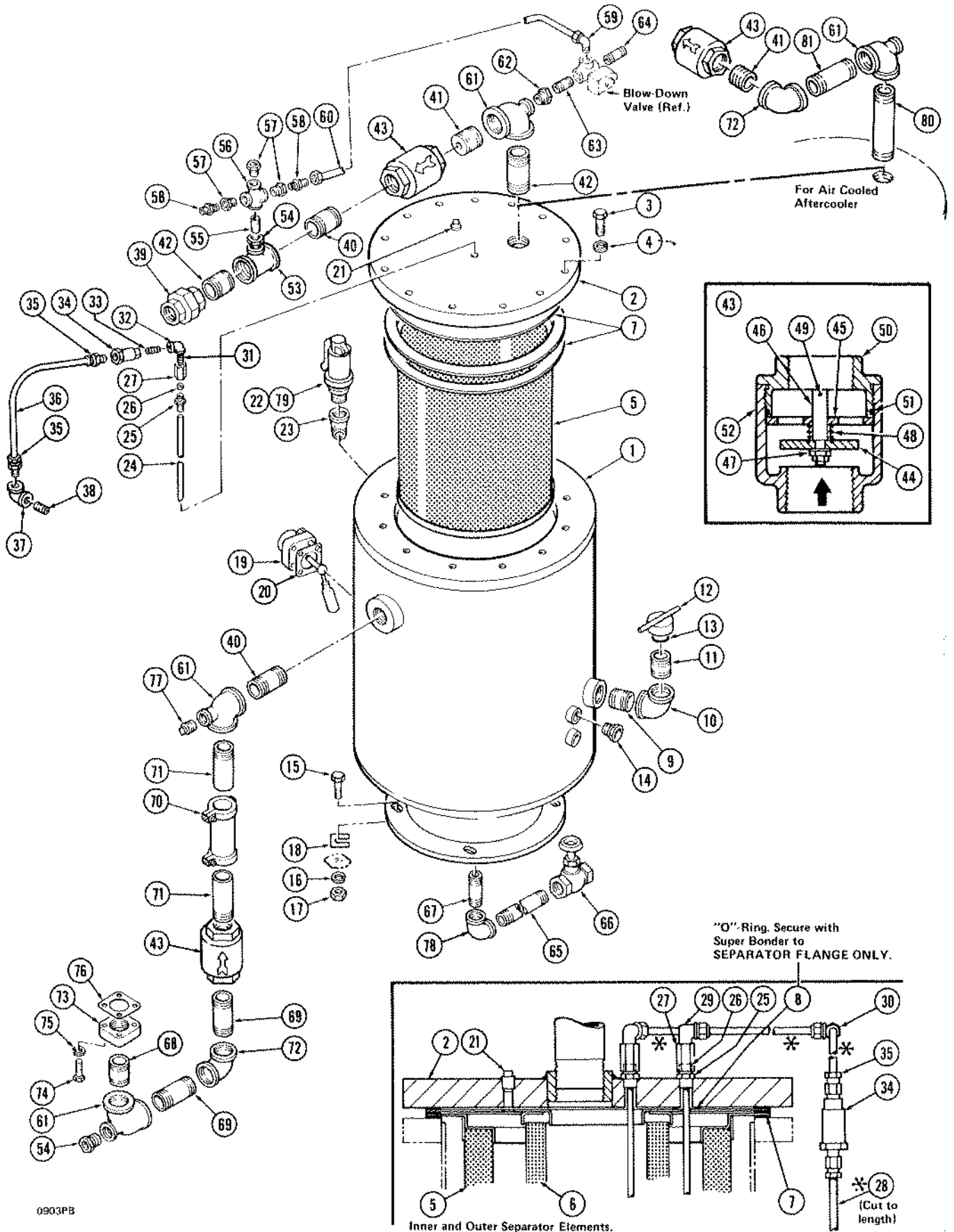
50SS

75SS

Continued from previous page.

Ref.	Part Description	Qty.	PART NUMBERS			
			40SS	50SS	75SS	
			G1-746	1G1-747	G1-746	
7	SCREW, Cap	20	02-71	•	•	
41	BEARING, Roller Male (NSS)	1	181-405	•	•	
42	BEARING, Roller Female (NSS)	1	181-404	•	•	
43	RING, Retaining (NSS)	1	64-281	•	•	
44	RING, Retaining (NSS)	1	64-270	•	•	
45	PIN, Taper	4	010-101	•	•	
46	SEAL, Rotary	1	125-693-1	•	•	
47	GASKET, Rotary Seal	1	16-1744	•	•	
48	RETAINER, Rotary Seal	1	31-736	•	•	
28	SCREW, Cap	4	02-37	•	•	
49	GASKET, Oil Gallery	1	16-1745	•	•	
50	COVER, Oil Gallery	1	14-1382-2	•	•	
28	SCREW, Cap	8	02-37	•	•	
30	WASHER, Lock	8	05-51	•	•	
51	FITTING, Elbow	2		182-728		
52	TUBE	1		55-1947		
	CONNECTOR	1		A182-405-1		
54	PLUG, Pipe	2	011-103	•	•	
55	PLUG, Pipe	4	011-101	(3) •	•	
56	KEY	1	09-143	•	•	

• Part number is same as in first column



0903PB

Inner and Outer Separator Elements.



GROUPS AND COMPONENTS

Group No. 2

AIR RECEIVER-OIL RESERVOIR

MODEL

40SS

50SS

75SS

PART NUMBERS

40SS

50SS

75SS

A

1G69-694

2G69 694

3G69-694

A204 826

Dual
Element
Separator
Optional

Ref.	Part Description	Qty.	40SS	50SS	75SS	A
1	AIR RECEIVER-OIL RESERVOIR	1	A69-694 Inc. A to B	● Inc. A to B	● Inc. A to B	
2	COVER, Receiver, Top	1	14-1398--A	●--A	●--A	14-1494
3	SCREW, Cap, Receiver Cover	12	34-1220-3	●	●	
4	WASHER, Lock	12	05-85--B	●--B	●--B	
5	ELEMENT, Separator, Outer	1	43-558-2	●	43-558-4	43-558-5
6	ELEMENT, Separator, Inner	1				43-745
7	GASKET, Element	2	16-1712	●	●	(3) ●
8	SEAL, O-RING	1				125-403
9	NIPPLE, Oil Filler	1	013-8	●	●	
10	ELBOW, Oil Filler	1	013-408	●	●	
11	NIPPLE, Special, Oil Filler	1	33-798	●	●	
12	CAP, Oil Filler	1	8A4-268	●	●	
13	GASKET, Filler Cap	1	16-1352	●	●	
14	GAGE, Sight, Oil Level	2	60-428	●	●	
15	SCREW, Cap, Receiver Mounting	4	02-56	●	●	
16	WASHER, Lock	4	05-52	●	●	
17	NUT	4	04-104	●	●	
18	SHIMS, Receiver Mounting	A R	22-873	●	●	
19	SWITCH, Low Oil Level	1	60-388-1	●	●	
20	GASKET, Switch	1	16-1927	●	●	
21	PIPE, Plug	1	011-102	●	●	011-2
22	VALVE, Safety Release	1	H15-1270	●	H15-1270-2	
23	ELBOW, Street	1	013-505	●	●	
24	TUBE, Steel, Separator Drain (Cut to Correct Length)	1	55-1632	●	●	(2) ●
25	FITTING, Special	1	182-620	●	●	(2) ●
26	SLEEVE, Rubber	1	182-621	●	●	(2) ●
27	FITTING, Nut	1	182-622	●	●	(2) ●
28	TUBE, Connector	1				55-29-36
29	FITTING, Elbow	2				182-210
30	FITTING, Tee	1				182-397
31	NIPPLE, Pipe	1	013-1	●	●	
32	ELBOW, Reducing, Pipe	1	013-492	●	●	
33	NIPPLE, Pipe	1	013-2	●	●	
34	FILTER, Separator Drain Line	1	43-721	●	●	
35	FITTING, Connector	1	H182-382	●	●	●
36	TUBE, Separator Drain Line	1	55-29-20	●	●	
35	FITTING, Connector	1	H182-382	●	●	
37	ELBOW, Reducing Pipe	1	013-451	●	●	
38	NIPPLE, Pipe	1	013-3	●	●	
39	UNION, Pipe	1	013-909	●	●	
40	NIPPLE, Pipe	1	013-211	●	●	
41	ORIFICE, Minimum Pressure	1	1A33-651	2A33-651	3A33-651	
42	NIPPLE, Pipe	2	013-212	●	●	
43	VALVE, Check Assembly	1	A15-1551 Inc. C to D	● Inc. C to D	● Inc. C to D	
44	VALVE, Check	1	15-1551--C	●--C	●--C	
45	GUIDE, Shaft	1	58-402	●	●	
46	SHAFT, Valve	1	27-1807	●	●	
47	NUT, Special	1	53-729	●	●	
48	SPRING	1	24-181	●	●	
49	PIN, Cotter	1	07-38	●	●	
50	CONNECTION, Valve End	1	65-2286	●	●	

Continued on next page.

● Part number is same as in first column.



GROUPS AND COMPONENTS

Group No. 2

AIR RECEIVER-OIL RESERVOIR

MODEL

40SS

50SS

75SS

Continued from previous page.

PART NUMBERS

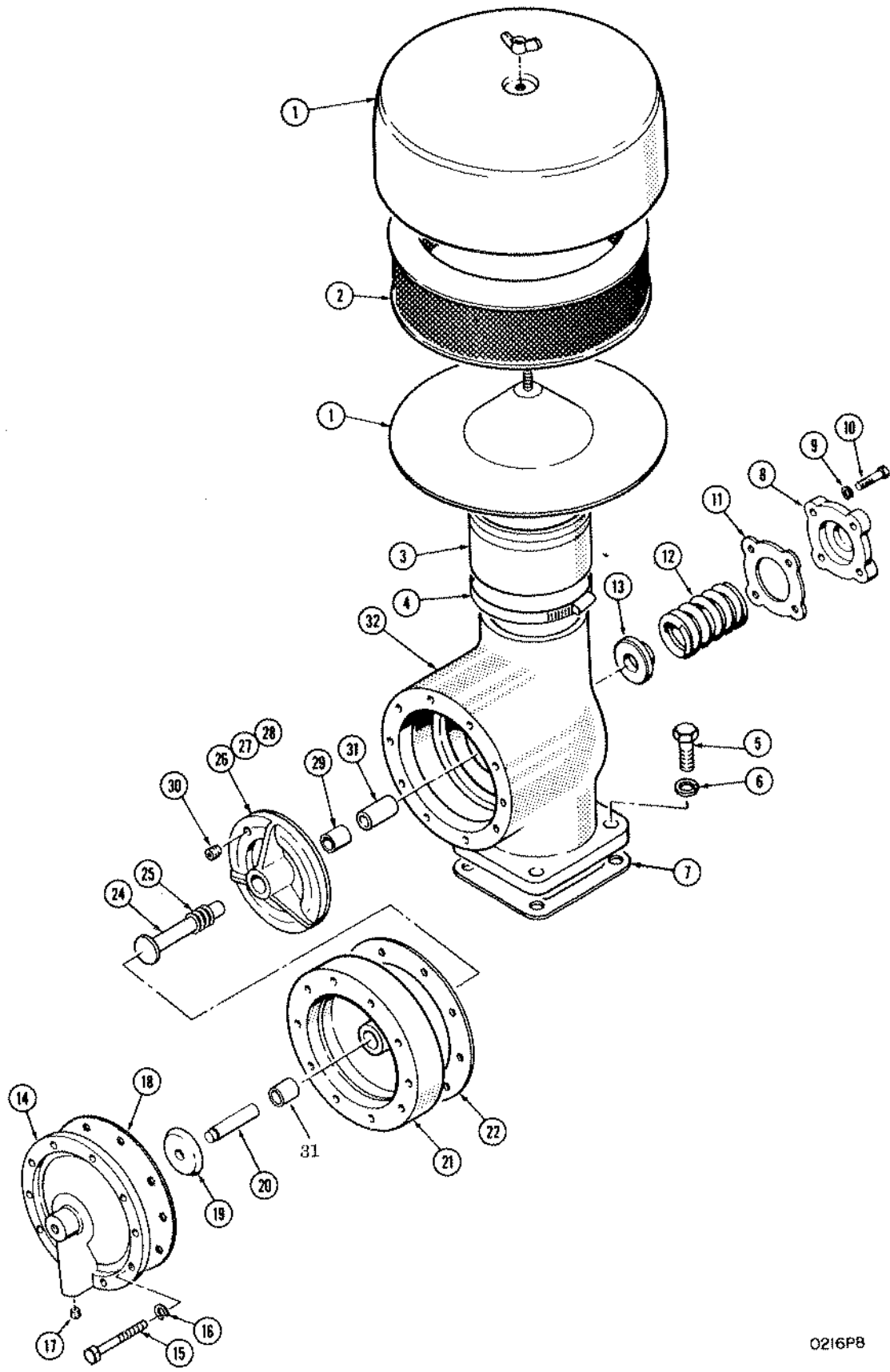
40SS	50SS	75SS	A	
1G69-694	2G69-694	3G69-694	A204-826	
			Dual Element Separator Optional	

Ref.	Part Description	Qty.
51	SEAL, O-Ring	1
52	CONNECTION, Seat End	1
53	TEE, Reducing, Pipe	1
54	BUSHING, Pipe	1
55	NIPPLE, Pipe	1
56	CROSS, Pipe	1
57	BUSHING, Pipe	3
58	FITTING, Connection	2
59	FITTING, Elbow	1
60	TUBE, Cross to Dump Valve (Blow Down)	1
61	TEE, Reducing, Pipe	1
62	BUSHING, Pipe	1
63	NIPPLE, Pipe	1
64	NIPPLE, Pipe	1
65	NIPPLE, Pipe	1
66	VALVE, Drain	1
67	NIPPLE, Pipe	1
68	BUSHING, Pipe	1
69	NIPPLE, Pipe	1
70	TEE, Reducing, Pipe	2
71	NIPPLE, Pipe	2
72	COUPLING, Special Clamp Type	1
43	VALVE, Check, Assembly	1
44	VALVE, Check	1
45	GUIDE, Shaft	1
46	SHAFT, Valve	1
47	NUT, Special	1
48	SPRING	1
49	PIN, Cotter	1
50	CONNECTION, Valve End	1
51	SEAL, O-Ring	1
52	CONNECTION, Seat End	1
71	NIPPLE, Special	2
72	ELBOW, Pipe	2
40	NIPPLE, Pipe	1
73	FLANGE, Compressor Discharge	1
74	SCREW, Cap	4
75	WASHER, Lock	4
76	GASKET	1
77	PLUG, Pipe	1
*	OIL, "Long Life" Lubricant, Gallons	15
78	ELBOW, Pipe	1
79	VALVE, Safety Release (For properly equipped units for 150 PSI operation)	1
80	NIPPLE, Pipe	1
81	NIPPLE, Pipe	1

NOTE: For Balance of Components See the Appropriate Control Group.

* Not Illustrated

• Part number is same as in first column.



0216PB



GROUPS AND COMPONENTS

AIR CLEANER-
INTAKE VALVE ASSEMBLY

Group No. 3

MODEL

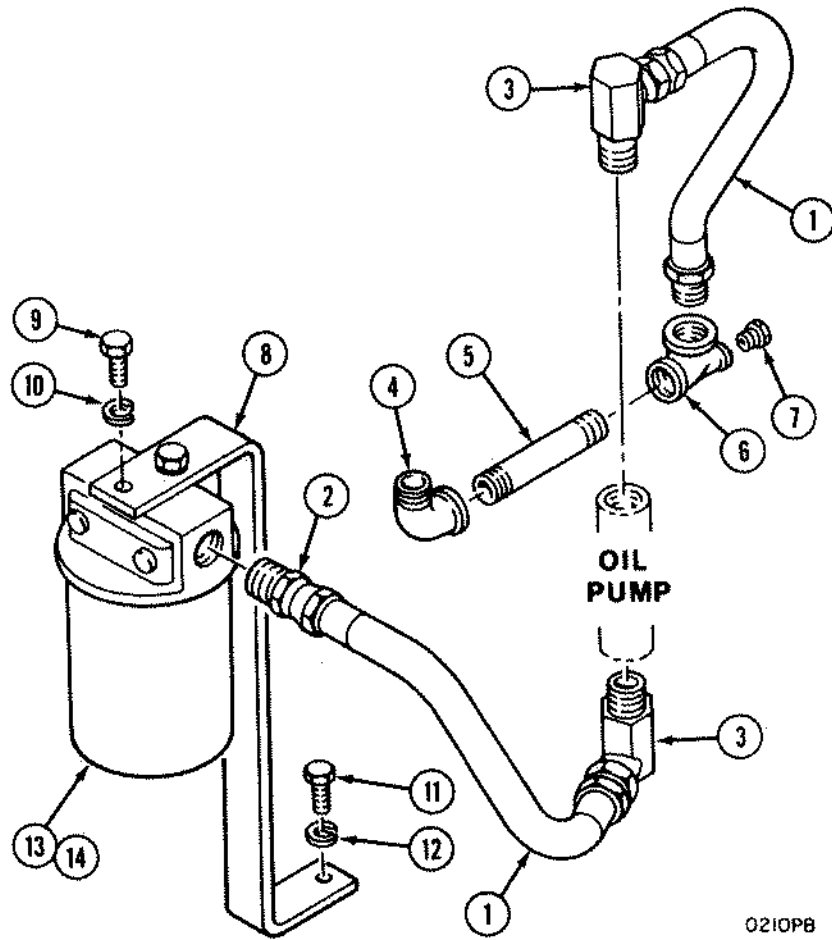
40SS
50SS
75SS

PART NUMBERS

40SS	50SS	75SS		
1G116-317	1G116-317	1G116-317		

Ref.	Part Description	Qty.					
1	AIR CLEANER	1	43-663	●	●		
2	ELEMENT, Air Cleaner	1	43-663-1	●	●		
3	HOSE	1	73-37-5	●	●		
4	CLAMP, Hose	2	83-621-7	●	●		
	VALVE ASSEMBLY, Intake	1	A116-317	●	●		
			inc. A to D	Inc. A to D	Inc. A to D		
32	HOUSING, Valve Plate	1	116-317--A	●--A	●--A		
31	BUSHING, Valve Plate Housing	2	21-539	●	●		
24	SHAFT, Valve Plate	1	27-1673	●	●		
26	PLATE ASSEMBLY, Intake Valve	1	A15-723	●	●		
			inc. B to C	Inc. B to C	Inc. B to C		
27	PLATE, Intake Valve (NSS)	1	15-723--B	●--B	●--B		
29	BUSHING, Valve Plate	1	21-539-1	●	●		
28	FACING GASKET, Valve Plate (NSS)	1	16-1298-2--C	●--C	●--C		
25	SPRING	1	24-523	●	●		
13	GUIDE, Spring	1	58-77	●	●		
12	SPRING	1	24-525	●	●		
8	RETAINER, Spring (Cover)	1	14-1150	●	●		
11	GASKET, Retainer	1	16-1397	●	●		
10	SCREW, Cap	4	02-21	●	●		
9	WASHER, Lock	4	05-50	●	●		
22	GASKET, Valve Plate Housing to Diaphragm Housing	1	16-1750	●	●		
21	HOUSING, Operating Diaphragm, Inner	1	116-316	●	●		
20	SHAFT	1	27-1674	●	●		
19	PISTON, Operating Diaphragm	1	8-337-3	●	●		
18	DIAPHRAGM	1	186-30	●	●		
14	HOUSING, Operating Diaphragm, Outer (Cover)	1	14-1152	●	●		
15	SCREW, Cap	10	02-25	●	●		
16	WASHER, Lock	10	05-50--D	●--D	●--D		
7	GASKET, Intake Valve to Compressor	1	16-1851	●	●		
5	SCREW, Cap	4	02-37	●	●		
6	WASHER, Lock	4	05-51	●	●		
17	ORIFICE, Control Pressure Bleed	1	54-416-1	●	●		
30	VALVE, Check	1	A15-1481	●	●		

● Part number is same as in first column.



0210P8



GROUPS AND COMPONENTS

Group No. 4

OIL FILTER

MODEL

40SS

50SS

75SS

PART NUMBERS

40SS

50SS

75SS

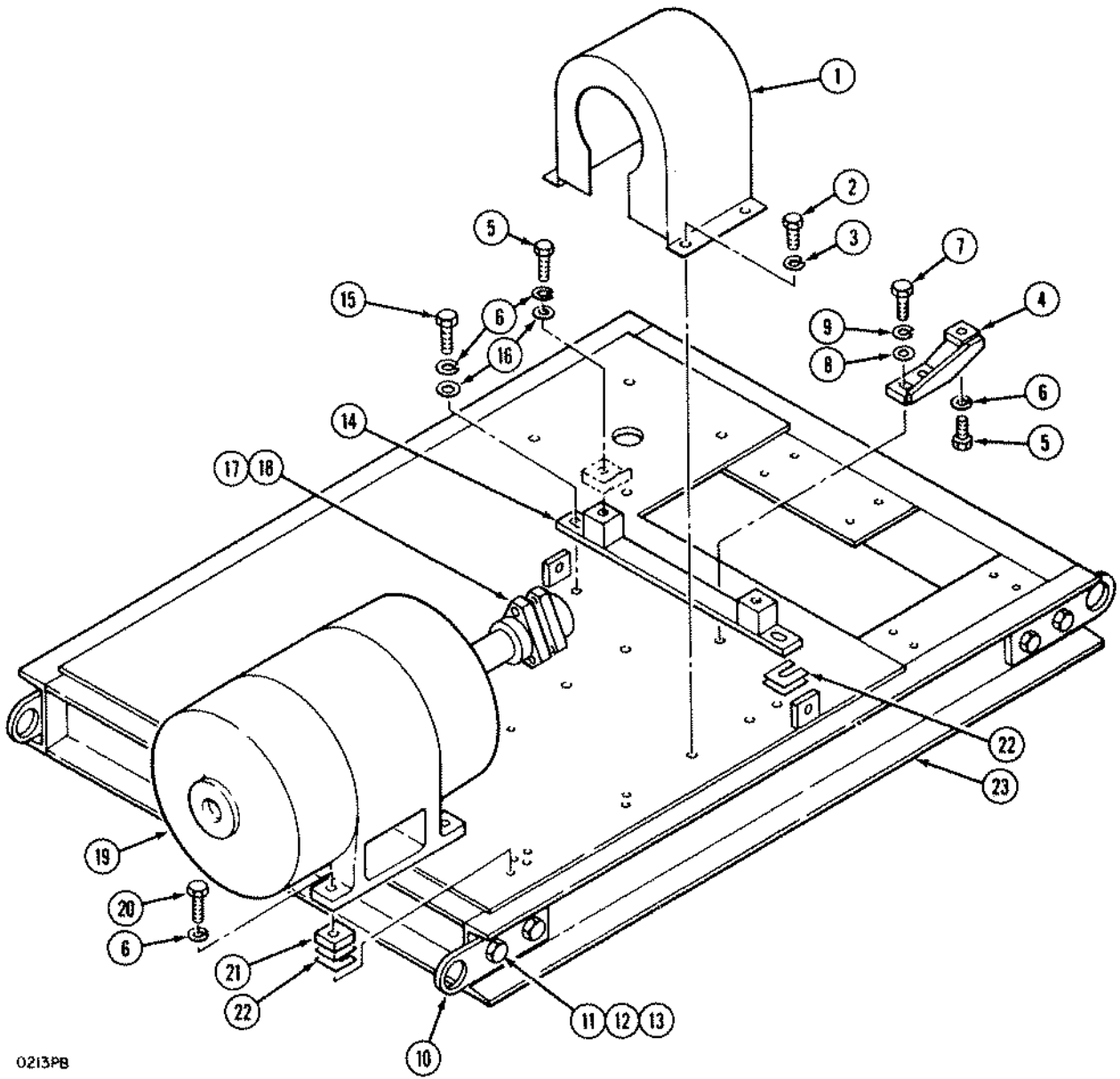
G43-581

G43-581

G43-581

Ref.	Part Description	Qty.	40SS	50SS	75SS
<u>125 PSI OPERATION</u>					
14	FILTER, Oil	1	43-581	●	●
			Inc. A	Inc. A	Inc. A
13	ELEMENT, Oil Filter	1	43-582-1--A	●--A	●--A
			Inc. B	Inc. B	Inc. B
8	SEAL, Filter Element	2	125-779--B	●--B	●--B
9	SUPPORT, Oil Filter	1	39-4734	●	●
10	SCREW, Cap	2	02-20	●	●
2	WASHER, Lock	2	05-50	●	●
1	FITTING, Swivel, Straight	1	182-258	●	●
1	HOSE, Filter to Pump	1	73-362-19	●	●
3	FITTING, Swivel, Elbow	2	182-260	●	●
1	HOSE, Pump to Compressor	1	73-362-19	●	●
6	TEE, Pipe, Reducing	1	013-1625	●	●
5	NIPPLE, Pipe	1	013-136	●	●
7	PLUG, Pipe (In Reducer Tee)	1	011-3	●	●
11	SCREW, Cap	1	02-70	●	●
12	WASHER, Lock	1	05-53	●	●
4	ELBOW, Street	1	013-505		
<u>150 PSI OPERATION</u>			G43-732	G43-732	G43-732
14	FILTER, Oil	1	43-732	●	●
			Inc. C	Inc. C	Inc. C
13	ELEMENT, Oil Filter	1	43-732-1--C	●--C	●--C
8	SUPPORT, Oil Filter	1	39-5130	●	●
9	SCREW, Cap	2	02-37	●	●
10	WASHER, Lock	2	05-51	●	●
	ELBOW, Pipe Reducer	1	013-456	●	●
	NIPPLE, Pipe	2	013-3	●	●
6	TEE, Pipe, Reducing	3	013-1625	●	●

● Part number is same as in first column.



0213PB



GROUPS AND COMPONENTS

UNIT BASE-
DRIVE COUPLING AND
ELECTRIC MOTORS

Group No. 5

MODEL

40SS
50SS
75SS

PART NUMBERS

40SS	50SS	75SS		
G118-949	G118-949	G118-949		

Ref.	Part Description	Qty.
23	UNIT BASE WELDMENT	1
14	BRACKET, Compressor Front Mounting	1
15	SCREW, Cap	2
16	WASHER, Flat	2
6	WASHER, Lock	2
5	SCREW, Cap	2
6	WASHER, Flat	2
16	WASHER, Lock	2
4	BRACKET, Compressor Rear Mounting	1
5	SCREW, Cap, Bracket to Compressor	1
6	WASHER, Lock	1
7	SCREW, Cap, Bracket to Base	2
8	WASHER, Flat	2
9	WASHER, Lock	2
10	EYE, Base Lifting	4
11	SCREW, Cap	8
12	WASHER, Lock	8
13	NUT	6
1	GUARD ASSEMBLY, Coupling	1
2	SCREW, Cap	4
3	WASHER, Lock	4
17	COUPLING ASSEMBLY, Drive	1
18	COUPLING, Flexible Member (Donut)	1
22	SHIM, (.005" Thick, Blue)	A.R.
22	SHIM, (.0075" Thick, Translucent)	A.R.
22	SHIM, (.020" Thick, Yellow)	A.R.
22	SHIM, (.059" Thick, Steel)	A.R.
21	SPACER, Motor Mounting Pads to Base	4
20	SCREW, Cap	4
6	WASHER, Lock	4
	STUD, Motor Mounting	4
	NUT	4
19	ELECTRIC MOTOR (200 Volt 60 Hz ODP)	1
19	ELECTRIC MOTOR (230/460 Volt 60 Hz ODP)	1
19	ELECTRIC MOTOR (575 Volt 60 Hz ODP)	1
19	ELECTRIC MOTOR (230/460 Volt 60 Hz TEFC)	1
19	ELECTRIC MOTOR (200 Volt 60 Hz ODP 326 T Frame)	1
19	ELECTRIC MOTOR (230/460 Volt 60 Hz ODP 326 T Frame)	1
19	ELECTRIC MOTOR (575 Volt 60 Hz ODP 326 T Frame)	1

Continued on next page.

• Part number is same as in first column.



GROUPS AND COMPONENTS

UNIT BASE-
DRIVE COUPLING AND
ELECTRIC MOTORS

Group No. 5

MODEL

40SS

50SS

75SS

PART NUMBERS

40SS

50SS

75SS

G118-949

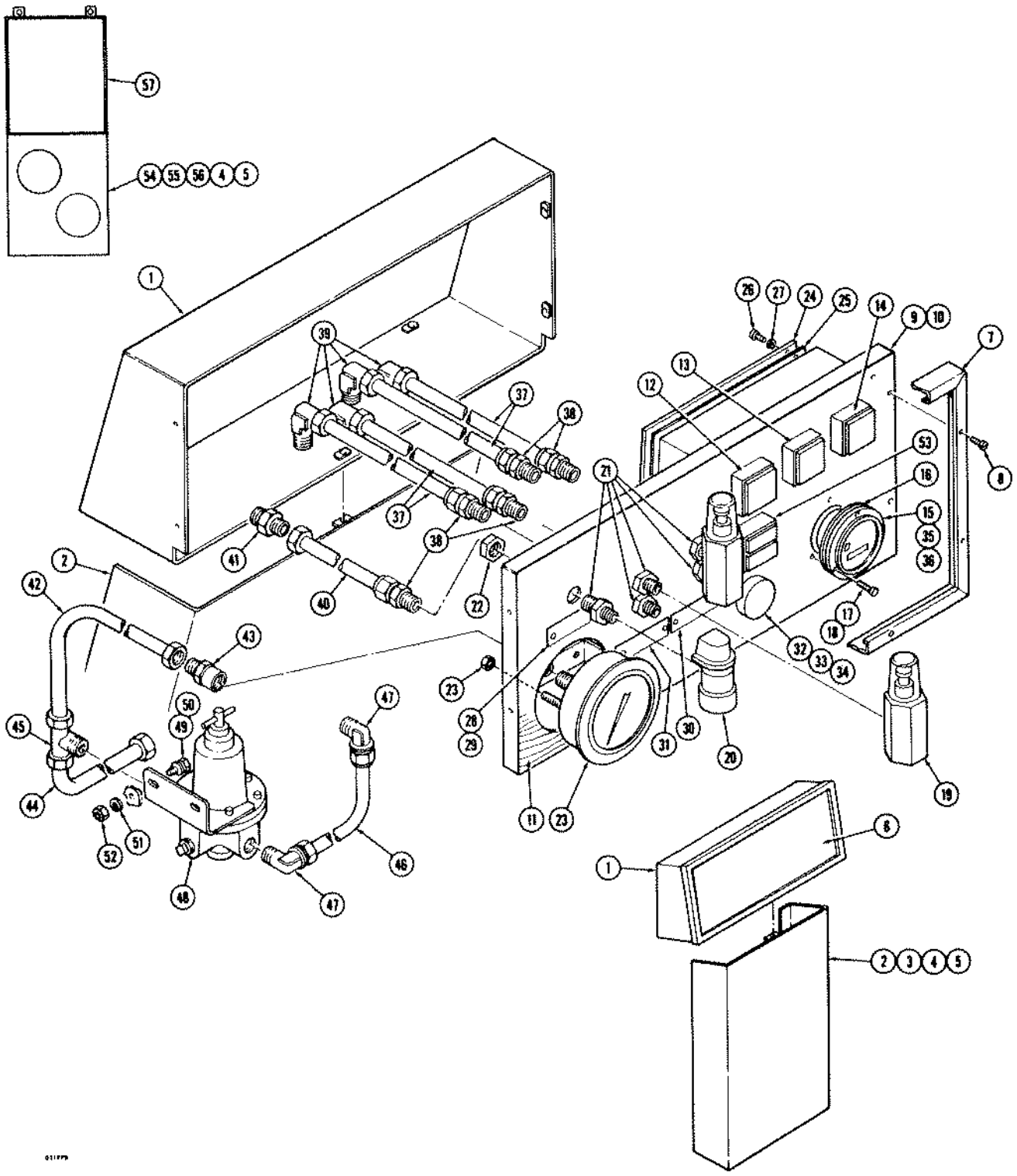
G118-949

G118-949

Continued from previous page.

Ref.	Part Description	Qty.				
19	ELECTRIC MOTOR (380 Volt 50 Hz TEFC 213 TS Frame)	1	107-800			
19	ELECTRIC MOTOR (380 Volt 50 Hz TEFC 365 TS Frame)	1			107-801	
	SCREW, Cap	4			02-103	
19	ELECTRIC MOTOR (415 Volt 50 Hz ODP 364 TS Frame)	1			107-806	
19	ELECTRIC MOTOR (230-460 Volt 60 Hz ODP 365 TS Frame 100 HP For 150 PSI Operation)	1			107-804	
19	ELECTRIC MOTOR (230-460 Volt 60 Hz ODP 354 TS Frame 60 HP For 150 PSI Operation)	1		107-593		

• Part number is same as in first column.





GROUPS AND COMPONENTS

CONTROLS-
ONE MODE WITHOUT
HOUSING

Group No. 6

MODEL

40SS

50SS

75SS

PART NUMBERS

40SS

50SS

75SS

6G68-1211

6G68-1211

6G68-1211

Ref.	Part Description	Qty.	PART NUMBERS		
			40SS	50SS	75SS
			6G68-1211	6G68-1211	6G68-1211
57	ENCLOSURE ASSEMBLY, Control	1	A68-1211 Inc. A to B	● Inc. A to B	● Inc. A to B
† 12	ENCLOSURE, Control	1	68-1211--A	●--A	●--A
† 9	PLATE, Control Mounting	1	151-331	●	●
† 10	WASHER, Lock	4	05-51	●	●
† 11	NUT	4	04-103	●	●
† 1	TERMINAL BOARD	1	121-143	●	●
† 2	SCREW, Special, Self-Tapping	2	34-1201	●	●
† 3	RELAY, (CR-1)	1	76-816	●	●
† 2	SCREW, Special, Self-Tapping	4	34-1201	●	●
† 3	RELAY, (CR-2)	1	76-816	●	●
† 2	SCREW, Special, Self-Tapping	4	34-1201	●	●
† 7	BRACKET, Power On Light Mounting	1	39-4551	●	●
† 2	SCREW, Special, Self-Tapping	2	34-1201	●	●
† 5	LAMP, Power On	1	160-42	●	●
† 6	BULB, Power On Lamp	1	160-43	●	●
† 4	RELAY, Fan Overload (Air Cooled Units Only)	1	76-815	●	●
† 2	SCREW, Special, Self-Tapping	3	34-1201	●	●
† 8	SWITCH, Selector, (Oil Drain)	1	76-721-2--B	●--B	●--B
54	BRACKET, Control Enclosure Mounting	1	A39-4783	●	●
55	SCREW, Cap	6	02-34	●	●
56	WASHER, Lock	6	05-51	●	●
4	WASHER, Flat	6	06-4	●	●
5	NUT	2	04-103	●	●
2	SUPPORT, Instrument Panel Bracket	1	A39-4785	●	●
1	BRACKET, Instrument Panel	1	A39-4786	●	●
3	SCREW, Cap	9	02-34	●	●
4	WASHER, Flat	9	06-4	●	●
5	WASHER, Lock	9	05-51	●	●
6	PANEL, Instrument Assembly	1	1A76-819	●	●
53	SWITCH, Start-Stop	1	76-819--C Inc. C to F	●--C Inc. C to F	●--C Inc. C to F
6	PANEL ASSEMBLY	1	A151-329	●	●
9	PANEL	1	Inc. D & E 151-329--D	●--D Inc. D & E	●--D Inc. D & E
11	FACE, Panel	1	151-333--E	●--E	●--E
	LENS, Push to Stop-Pull to Start	1	160-66	●	●
	LENS, Power on Light	1	160-64	●	●
	LENS, Low Oil Light	1	160-64-1	●	●
	LENS, High Temperature Light	1	160-64-2	●	●
	BULB, Indicator Lights	3	160-65	●	●
12	SOCKET, Power on Light	1	160-63	●	●
13	SOCKET, Low Oil Light	1	160-63	●	●
14	SOCKET, High Temperature Light	1	160-63	●	●
15	HOURMETER	1	60-457	●	●
16	GASKET, Hourmeter	1	16-1725	●	●
17	SCREW, Special Fillister Head	3	03-58	●	●
18	NUT	3	04-9	●	●
19	INDICATOR, Oil Filter, Oil Sep- arator Restriction	2	43-577	●	●
20	INDICATOR, Air Cleaner Restriction	1	60-414	●	●
21	FITTING, Special, Indicators	5	182-623	●	●
22	NUT, Lock, Special Fitting	5	53-261	●	●
23	GAGE, Air Pressure	1	60-585-1	●	●
25	GASKET, Rear Cover	1	16-1724	●	●

Continued on next page.
† Illustrated in Group 10

• Part number is same as in first column



GROUPS AND COMPONENTS

CONTROLS-
ONE MODE WITHOUT
HOUSING

Group No. 6

MODEL

40SS

50SS

75SS

Continued from previous page.

PART NUMBERS

40SS

50SS

75SS

6G68-1211

6G68-1211

6G68-1211

Ref.	Part Description	Qty.	PART NUMBERS			
			40SS	50SS	75SS	
24	COVER, Rear	1	14-1368	•	•	
26	SCREW, Special Fillister Head	14	34-1201	•	•	
27	WASHER, Special, Shake Proof	14	06-31	•	•	
28	PLATE, Air Cleaner Instruction	1	62-582	•	•	
29	SCREW, Special	2	03-1406	•	•	
30	PLATE, Oil Filter Instruction	1	62-583	•	•	
29	SCREW, Special	2	03-1406	•	•	
31	PLATE, Separator Instruction	1	62-662	•	•	
29	SCREW, Special	2	03-1406	•	•	
32	PLUG, Un-Used Hole	1	19-346	•	•	
35	TERMINAL, Hourmeter	2	121-144	•	•	
36	BODY, Terminal	2	121-145--F	•--F	•--F	
7	MOULDING, Instrument Panel	1	A151-332	•	•	
8	SCREW, Special	14	34-1219	•	•	
37	TUBE, Oil Filter Indicator, Oil Separator Indicator	4	55-29-85	•	•	
38	FITTING	6	182-208	•	•	
39	FITTING, Elbow	4	H182-383	•	•	
40	TUBE, Air Filter Indicator	1	55-29-85	•	•	
38	FITTING	1	182-208	•	•	
41	FITTING	1	182-611	•	•	
††	VALVE, Solenoid Dump (Blow Down)	1	15-1464	•	•	
*	COUPLING, Pipe Reducing	1	013-720	•	•	
*	MUFFLER, Air Exhaust	1	78-169	•	•	
*	NIPPLE, Pipe	1	013-2	•	•	
*	CONDUIT, Solenoid Valve to Control Enclosure	1	61-596	•	•	
*	FITTING, Conduit, Elbow	2	188-94	•	•	
*	SEAL, O-Ring and Washer	2	125-715	•	•	
*	SWITCH, Air Temperature Safety	1	76-700	•	•	
*	CONDUIT, Temperature Switch To Enclosure	1	61-596-1	•	•	
*	FITTING, Conduit, Elbow	1	188-94	•	•	
*	FITTING, Conduit, Straight	1	188-95	•	•	
*	SEAL, O-Ring and Washer	2	125-715	•	•	
*	CONDUIT, Instrument Panel to Control Enclosure	1	61-597	•	•	
*	FITTING, Conduit, Elbow	2	188-94-2	•	•	
*	SEAL, O-Ring and Washer	2	125-715-2	•	•	
48**	VALVE, Control Pressure Regulator (Earlier Units)	1	15-554-1	•	•	
	KIT, Norgen Control Valve	1	A204-693	•	•	
	VALVE, Control Pressure Regulator (Air Con) Assembly (Later Units)	1	A15-1580	•	•	
48**	VALVE, Air Con	1	Inc. G to J 15-1580--G	Inc. G to J •--G	Inc. G to J •--G	
			Inc. H & I	Inc. H & I	Inc. H & I	
	SEAT	1	220-153--H	•--H	•--H	
	DIAPHRAGM	1	220-153-1--I	•--I	•--I	
	SCREW, Fillister Head	1	34-1405	•	•	
	BRACKET, Air Con Valve	1	39-5352--J	•--J	•--J	
49	SCREW, Cap	2	02-7	•	•	
50	WASHER, Flat	2	06-2	•	•	

Continued on next page.

†† Illustrated in Group 2

* Not Illustrated

** User Must Determine Correct Valve

• Part number is same as in first column.



GROUPS AND COMPONENTS

CONTROLS
ONE MODE WITHOUT
HOUSING

Group No. 6

MODEL

40SS

50SS

75SS

Continued from previous page

PART NUMBERS

40SS

50SS

75SS

6G68-1211

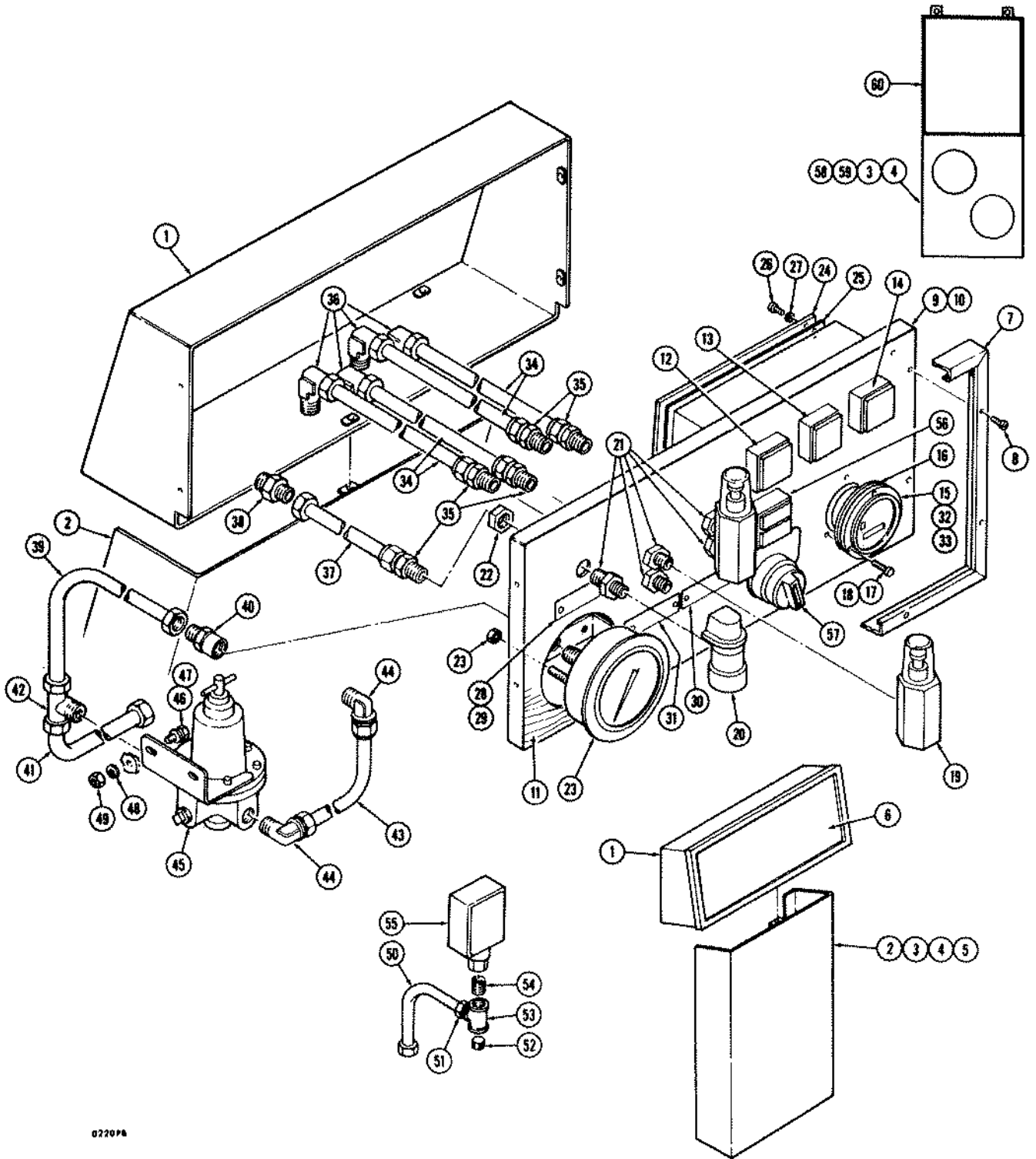
6G68-1211

6G68-1211

Ref.	Part Description	Qty.	40SS	50SS	75SS		
51	WASHER, Lock	2	05-49	●	●		
52	NUT	2	04-101	●	●		
44	TUBE, Control Regulator Valve Feed	1	55-29-88	●	●		
47	FITTING, Control Regulator Valve	1	182-208	●	●		
46	TUBE, Regulator Valve to Intake Valve	1	55-29-12	●	●		
47A	FITTING, Intake Valve	1	182-230	●	●		
42	TUBE, To Air Pressure Gage	1	55-29-21	●	●		
43	FITTING, Air Pressure Gage	1	182-611-1	●	●		
*	TIES, Cable	A.R.	83-659	●	●		
45	FITTING, Tee	1	182-360	●	●		

* Not Illustrated

• Part number is same as in first column.



0220PA



GROUPS AND COMPONENTS

CONTROLS-
TWO MODE WITHOUT
HOUSING

Group No. 7

MODEL

40SS
50SS
75SS

PART NUMBERS

40SS	50SS	75SS		
4G68-1211	4G68-1211	4G68-1211		

Ref.	Part Description	Qty.				
60	ENCLOSURE ASSEMBLY, Control	1	A68-1211 Inc. A to B	● Inc. A to B	● Inc. A to B	
† 12	ENCLOSURE, Control	1	68-1211--A	●--A	●--A	
† 9	PLATE, Control Mousing	1	151-331	●	●	
† 10	WASHER, Lock	4	05-51	●	●	
† 11	NUT	4	04-103	●	●	
† 1	TERMINAL BOARD	1	121-143	●	●	
† 2	SCREW, Special, Self-Tapping	2	34-1201	●	●	
† 3	RELAY, (CR-1)	1	76-816	●	●	
† 2	SCREW, Special, Self-Tapping	4	34-1201	●	●	
† 3	RELAY, (CR-2)	1	76-816	●	●	
† 2	SCREW, Special, Self-Tapping	4	34-1201	●	●	
† 7	BRACKET, Power On Light Mounting	1	39-4551	●	●	
† 2	SCREW, Special, Self-Tapping	2	34-1201	●	●	
† 5	LAMP, Power On	1	160-42	●	●	
† 6	BULB, Power On Lamp	1	160-43	●	●	
† 4	RELAY, Fan Overload (Air Cooled Units Only)	1	76-815	●	●	
† 2	SCREW, Special, Self-Tapping	3	34-1201	●	●	
† 8	SWITCH, Selector (Oil Drain)	1	76-721-2--B	●--B	●--B	
58	BRACKET, Control Enclosure Mounting	1	A39-4783	●	●	
59	SCREW, Cap	6	02-34	●	●	
3	WASHER, Lock	6	05-51	●	●	
*	WASHER, Flat	6	06-4	●	●	
4	NUT	2	04-103	●	●	
2	SUPPORT, Instrument Panel Bracket	1	A39-4785	●	●	
1	BRACKET, Instrument Panel	1	A39-4786	●	●	
3	SCREW, Cap	9	02-34	●	●	
4	WASHER, Flat	9	06-4	●	●	
5	WASHER, Lock	9	05-51	●	●	
6	PANEL, Instrument (Assembly)	1	A76-819	●	●	
56	SWITCH, Start-Stop	1	76-819--C	●--C	●--C	
57	SWITCH, Two Mode Selector	1	76-721-1	●	●	
9	PANEL ASSEMBLY	1	A151-329	●	●	
10	PANEL	1	151-329--D	●--D	●--D	
11	FACE, Panel	1	151-333--E	●--E	●--E	
	LENS, Push to Stop-Pull to Start	1	160-66	●	●	
	LENS, Power on Light	1	160-64	●	●	
	LENS, Low Oil Light	1	160-64-1	●	●	
	LENS, High Temperature Light	1	160-64-2	●	●	
	BULB, Indicator Lights	1	160-65	●	●	
12	SOCKET, Power On Light	1	160-63	●	●	
13	SOCKET, Low Oil Light	1	160-63	●	●	
14	SOCKET, High Temperature Light	1	160-63	●	●	
15	HOURMETER	1	60-457	●	●	
16	GASKET, Hourmeter	1	16-1725	●	●	
17	SCREW, Special Fillister Head	3	03-58	●	●	
18	NUT	3	04-9	●	●	
19	INDICATOR, Oil Filter, Oil Sep- arator Restriction	2	43-577	●	●	
20	INDICATOR, Air Cleaner Restriction	1	60-414	●	●	

Continued on next page
† Illustrated in Group 10
* Not Illustrated

• Part number is same as in first column.



GROUPS AND COMPONENTS

CONTROLS-
TWO MODE WITHOUT
HOUSING

Group No. 7

MODEL

40SS

50SS

75SS

Continued from previous page.

PART NUMBERS

40SS

50SS

75SS

4G68-1211

4G68-1211

4G68-1211

Ref.	Part Description	Qty.	40SS	50SS	75SS
21	FITTING, Special, Indicators	5	182-623	●	●
22	NUT, Lock, Special Fitting	5	53-261	●	●
23	GAGE, Air Pressure	1	60-585-1	●	●
25	GASKET, Rear Cover	1	16-1724	●	●
24	COVER, Rear	1	14-1368	●	●
26	SCREW, Special Fillister Head	14	34-1201	●	●
27	WASHER, Special, Shake Proof	14	06-21	●	●
28	PLATE, Air Cleaner Instruction	1	62-582	●	●
29	SCREW, Special	2	03-1406	●	●
30	PLATE, Oil Filter Instruction	1	62-583	●	●
29	SCREW, Special	2	03-1406	●	●
31	PLATE, Separator Instruction	1	62-662	●	●
29	SCREW, Special	2	03-1406	●	●
32	TERMINAL, Hourmeter	2	121-144	●	●
33	BODY, Terminal	2	121-145--F	●--F	●--F
7	MOULDING, Instrument Panel	1	A151-332	●	●
8	SCREW, Special	14	34-1219	●	●
34	TUBE, Oil Filter, Oil Separator Indicator	4	55-29-85	●	●
35	FITTING	6	182-208	●	●
36	FITTING, Elbow	4	H182-383	●	●
37	TUBE, Air Filter Indicator	1	55-29-85	●	●
35	FITTING	1	182-208	●	●
38	FITTING	1	182-611	●	●
††	VALVE, Solenoid Dump (Blow Down)	1	15-1464	●	●
*	COUPLING, Pipe, Reducing	1	013-720	●	●
*	MUFFLER, Air Exhaust	1	78-169	●	●
*	NIPPLE, Pipe	1	013-2	●	●
*	CONDUIT, Solenoid Valve to Control Enclosure	1	61-596	●	●
*	FITTING, Conduit, Elbow	2	188-94	●	●
*	SEAL, O-Ring and Washer	2	125-715	●	●
*	SWITCH, Air Temperature Safety	1	76-700	●	●
*	CONDUIT, Temperature Switch to Enclosure	1	61-596-1	●	●
*	FITTING, Conduit, Elbow	1	188-94	●	●
*	FITTING, Conduit, Straight	1	188-95	●	●
*	SEAL, O-Ring and Washer	2	125-715	●	●
55	SWITCH, Pressure, Start-Stop	1	76-723	●	●
*	SCREW, Special, Fillister Head	2	03-705	●	●
54	NIPPLE, Pipe, In Pressure Switch	1	013-2A	●	●
53	TEE, Pipe	1	013-602	●	●
52	PLUG, Pipe	1	011-102	●	●
51	FITTING	1	182-228	●	●
50	TUBE, Cross to Pressure Switch	1	55-29-22	●	●
42	FITTING, Tee	1	H182-397	●	●
*	TUBE, Tee to Air Control Valve Inlet	1	55-29-22	●	●
41	TUBE, Cross to Air Control Valve Inlet (Feed)	1	55-29-12	●	●
*	CONDUIT, Pressure Switch to Control Enclosure	1	61-596-2	●	●
*	FITTING, Conduit, Elbow	1	188-94	●	●
*	FITTING, Conduit, Straight	1	188-95	●	●
*	SEAL, O-Ring and Washer	2	125-715	●	●

Continued on next page

● Part number is same as in first column.

†† Illustrated in Group 2

* Not Illustrated



GROUPS AND COMPONENTS

CONTROLS-
TWO MODE WITHOUT
HOUSING

Group No. 7

MODEL

40SS

50SS

75SS

Continued from Previous Page.

PART NUMBERS

40SS

50SS

75SS

4G68-1211

4G68-1211

4G68-1211

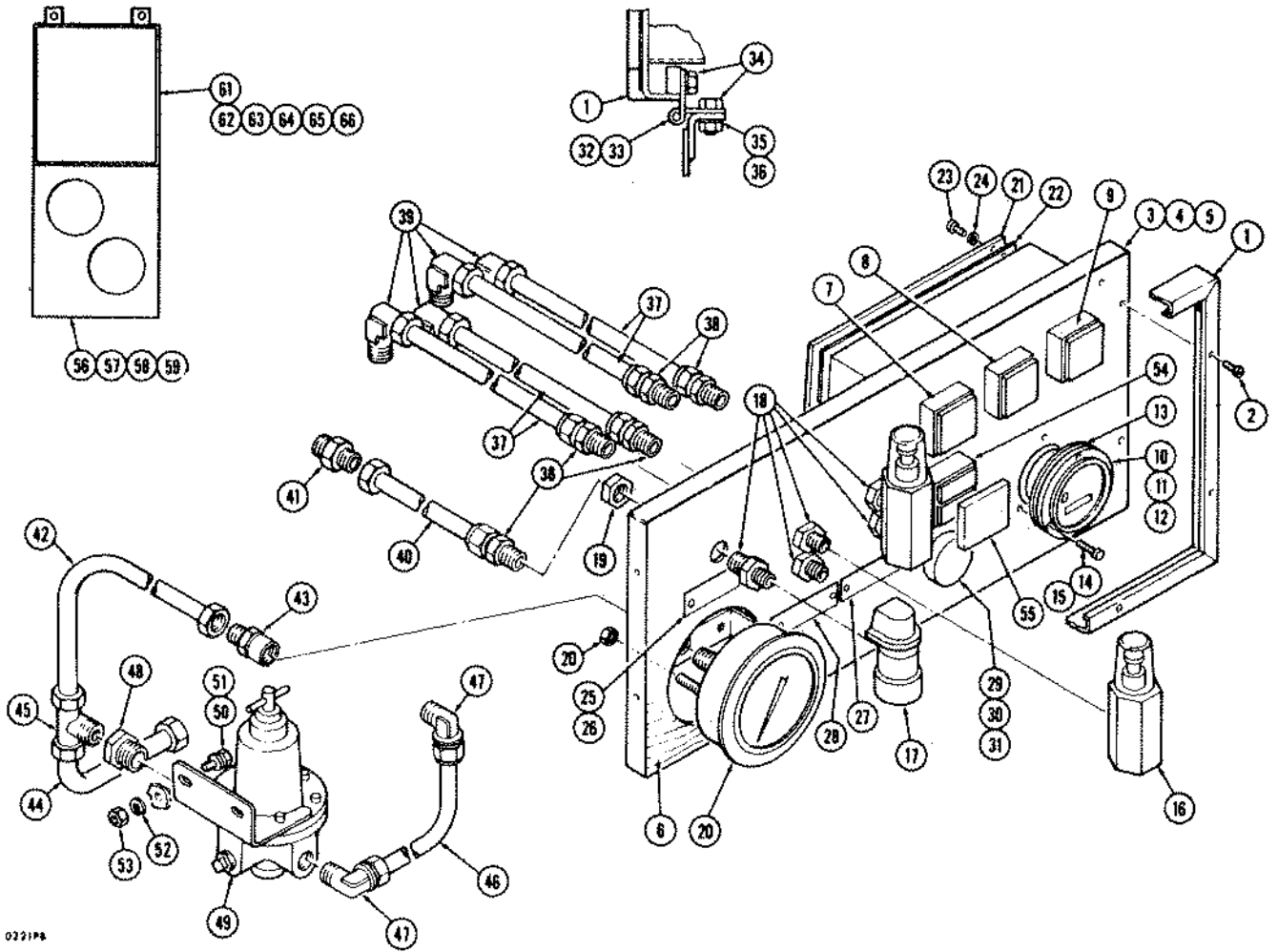
Ref.	Part Description	Qty.	PART NUMBERS			
			40SS	50SS	75SS	
			4G68-1211	4G68-1211	4G68-1211	
* 4	CONDUIT, Instrument Panel to Control Enclosure	1	61-597	●	●	
* 2	FITTING, Conduit, Elbow	2	188-94-2	●	●	
* 2	SEAL, O-Ring and Washer	2	125-715-2	●	●	
45** 1	VALVE, Control Pressure Regulator (Earlier Units)	1	15-554-1	●	●	
45** 1	KIT, Norgen Control Valve	1	A204-693	●	●	
45** 1	VALVE, Control Pressure Regulator (Air Con) Assembly (Later Units)	1	A15-1580	●	●	
1	VALVE, Air Con	1	15-1580--G	●--G	●--G	
1	SEAT	1	220-153--H	●--H	●--H	
1	DIAPHRAGM	1	220-153-1--I	●--I	●--I	
1	SCREW, Fillister Head	1	34-1405	●	●	
1	BRACKET, Air Con Valve	1	39-5352--J	●--J	●--J	
46	SCREW, Cap	2	02-7	●	●	
47	WASHER, Flat	2	06-2	●	●	
48	WASHER, Lock	2	05-49	●	●	
49	NUT	2	04-101	●	●	
44	FITTING, Control Pressure Regulator Valve	1	182-208	●	●	
43	TUBE, Control Valve to Intake Valve	1	55-29-12	●	●	
44	FITTING, Intake Valve	1	182-230	●	●	
39	TUBE, Control Valve to Pressure Gage	1	55-29-21	●	●	
40	FITTING, Pressure Gage	1	182-611-1	●	●	
* 1	TIES, Cable	A R.	83-659	●	●	
42	FITTING, Tee	1	182-360	●	●	

†† Illustrated in Group 2

* Not Illustrated

** User Must Determine Correct Valve

● Part number is same as in first column.



02219A



GROUPS AND COMPONENTS

CONTROLS-
ONE MODE WITH
HOUSING

Group No. 8

MODEL

40SS
50SS
75SS

PART NUMBERS

40SS	50SS	75SS		
7G68-1211	7G68-1211	7G68-1211		

Ref.	Part Description	Qty.
61	ENCLOSURE ASSEMBLY, Control	1
† 12	ENCLOSURE, Control	1
† 9	PLATE, Control Mounting	1
† 10	WASHER, Lock	4
† 11	NUT	4
† 1	TERMINAL BOARD	1
† 2	SCREW, Special, Self-Tapping	2
† 3	RELAY, (CR-1)	1
† 2	SCREW, Special, Self-Tapping	4
† 3	RELAY, (CR-2)	1
† 2	SCREW, Special, Self-Tapping	4
† 7	BRACKET, Power On Light Mounting	1
† 2	SCREW, Special, Self-Tapping	2
† 5	LAMP, Power On	1
† 6	BULB, Power On Lamp	1
† 4	RELAY, Fan Overload (Air Cooled Units Only)	1
† 2	SCREW, Special, Self-Tapping	3
† 8	SWITCH, Selector (Oil Drain)	1
62	BRACKET, Enclosure Mounting	1
63	SCREW, Cap	6
64	WASHER, Lock	6
65	WASHER, Flat	6
66	NUT	2
3	PANEL, Instrument (Assembly)	1
54	SWITCH, Start-Stop	1
55	WEATHER PROTECTOR, Push Button	1
4	PANEL ASSEMBLY	1
5	PANEL	1
6	FACE, Panel	1
	LENS, Push to Stop-Pull to Start	1
	LENS, Power on Light	1
	LENS, Low Oil Light	1
	LENS, High Temperature Light	1
	BULB, Indicator Lights	1
7	SOCKET, Power On Light	1
8	SOCKET, Low Oil Light	1
9	SOCKET, High Temperature Light	1
10	HOURMETER	1
13	GASKET, Hourmeter	1
14	SCREW, Special Fillister Head	3
15	NUT	3
16	INDICATOR, Oil Filter, Oil Separator Restriction	2
17	INDICATOR, Air Cleaner Restriction	1
18	FITTING, Special, Indicators	5
19	NUT, Lock, Special Fitting	5
20	GAGE, Air Pressure	1
22	GASKET, Rear Cover	1
21	COVER, Rear	1
23	SCREW, Special, Fillister Head	14

Continued on next page.
† Illustrated in Group 10

• Part number is same as in first column.



GROUPS AND COMPONENTS

CONTROLS-
ONE MODE WITH
HOUSING

Group No. 8

MODEL

40SS
50SS
75SS

PART NUMBERS

40SS	50SS	75SS
7G68-1211	7G68-1211	7G68-1211

Continued from previous page.

Ref.	Part Description	Qty.	40SS	50SS	75SS
24	WASHER, Special, Shake Proof	14	06-31	●	●
25	PLATE, Air Cleaner Instruction	1	62-582	●	●
26	SCREW, Special	2	03-1406	●	●
27	PLATE, Oil Filter Instruction	1	62-583	●	●
26	SCREW, Special	2	03-1406	●	●
28	PLATE, Separator Instruction	1	62-662	●	●
26	SCREW, Special	2	03-1406	●	●
29	PLUG, Un-Used Hole	1	19-346	●	●
11	TERMINAL, Hourmeter	2	121-144	●	●
12	BODY, Terminal	2	121-145--F	●--F	●--F
1	MOULDING, Instrument Panel	1	A151-332	●	●
2	SCREW, Special	14	34-1219	●	●
32	HINGE, Instrument Panel	2	221-956-60	●	●
33	PIN, Hinge	1	17-638-41	●	●
34	SCREW, Cap	8	02-3	●	●
36	NUT	4	04-101	●	●
35	WASHER, Lock	8	05-49	●	●
37	TUBE, Oil Filter, Oil Separator Indicator	4	H55-1546-7	●	●
39	FITTING, Elbow	4	H182-383	●	●
38	FITTING	6	182-208	●	●
40	TUBE, Air Cleaner Indicator	1	H55-1546-8	●	●
38	FITTING	1	182-208	●	●
41	FITTING	1	182-611	●	●
††	VALVE, Solenoid Dump (Blow Down)	1	15-1464	●	●
*	COUPLING, Pipe Reducing	1	013-720	●	●
*	MUFFLER, Air Exhaust	1	78-169	●	●
*	NIPPLE, Pipe	1	013-2	●	●
*	CONDUIT, Dump Valve to Control Enclosure	1	61-596	●	●
*	FITTING, Conduit	2	188-94	●	●
*	SEAL, O-Ring and Washer	2	125-715	●	●
*	SWITCH, High Temperature Safety	1	76-700	●	●
*	CONDUIT, Temperature Switch to Enclosure	1	61-596-1	●	●
*	FITTING, Conduit, Elbow	1	188-94	●	●
*	FITTING, Conduit, Straight	1	188-95	●	●
*	SEAL, O-Ring and Washer	2	125-715	●	●
*	CONDUIT, Instrument Panel to Control Enclosure	1	61-597-2	●	●
*	FITTING, Conduit, Elbow	2	188-94-2	●	●
*	SEAL, O-Ring and Washer	2	125-715-2	●	●
49**	VALVE, Control Pressure Regulator (Norgen) (Earlier Units)	1	15-554-1	●	●
	KIT, Norgen Control Valve	1	A204-693	●	●
49**	VALVE, Control Pressure Regulator (Air Con) Assembly (Later Units)	1	A15-1580	●	●
	VALVE, Air Con	1	15-1580--G	●--G	●--G
	SEAT	1	220-153--H	●--H	●--H
	DIAPHRAGM	1	220-153-1--I	●--I	●--I
	SCREW, Fillister Head	1	34-1405	●	●
	BRACKET, Air Con Valve	1	39-5352--J	●--J	●--J

Continued on next page
†† Illustrated in Group 2

* Not Illustrated

** User Must Determine Correct Valve

● Part number is same as in first column.



GROUPS AND COMPONENTS

CONTROLS-
ONE MODE WITH
HOUSING

Group No. 8

MODEL

40SS
50SS
75SS

Continued from previous page.

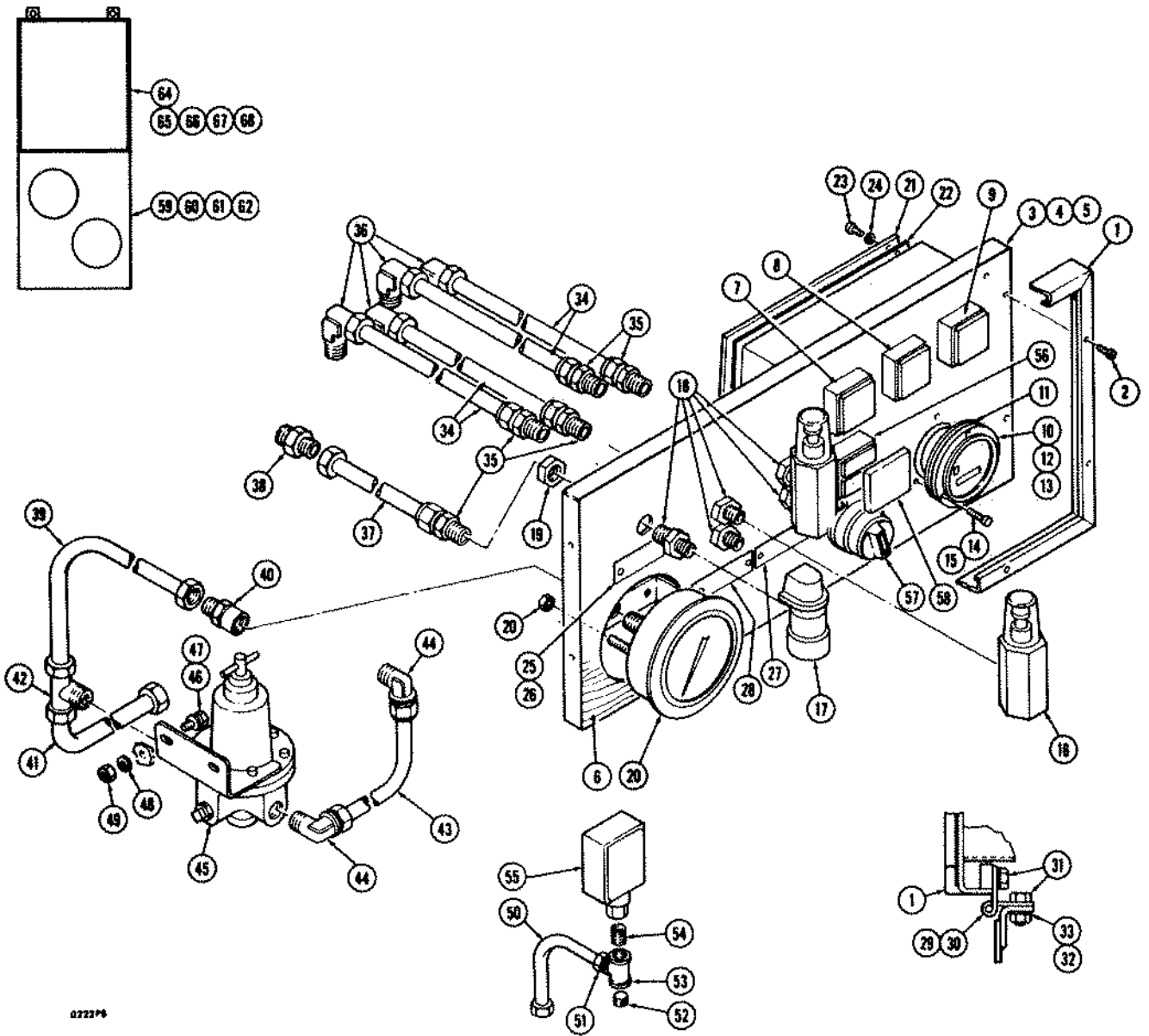
PART NUMBERS

40SS	50SS	75SS		
7G68-1211	7G68-1211	7G68-1211		

Ref.	Part Description	Qty.				
53	NUT	2	04-101	•	•	
50	SCREW, Cap	2	02-7	•	•	
51	WASHER, Flat	2	06-2	•	•	
52	WASHER, Lock	2	05-49	•	•	
45	FITTING, Tee, Control Valve Inlet	1	H182-360	•	•	
48	BUSHING, Pipe Reducing	1	013-1061	•	•	
44	TUBE, Cross to Control Valve	1	55-29-88	•	•	
47	FITTING, Control Valve Outlet	1	182-208	•	•	
46	TUBE, Control Valve to Intake Valve	1	55-29-12	•	•	
47	FITTING, Intake Valve	1	182-230	•	•	
42	TUBE, Control Valve to Gage	1	H55-1546-7	•	•	
43	FITTING, Gage	1	182-611-1	•	•	
*	INSERT, Tube Ends	12	H182-587	•	•	
*	CABLE TIES	A. R.	33-659	•	•	
*	FITTING, Tee	1	182-234	•	•	
56	SUPPORT, Control Enclosure	2	39-4660	•	•	
*	CLAMP	2	39-4661	•	•	
57	SCREW, Cap	2	02-4	•	•	
58	WASHER, Flat	2	06-67	•	•	
59	WASHER, Lock	2	05-49	•	•	

†† Illustrated in Group 2
* Not Illustrated

• Part number is same as in first column.



022276



GROUPS AND COMPONENTS

CONTROLS-
TWO MODE WITH
HOUSING

Group No. 9

MODEL

40SS
50SS
75SS

PART NUMBERS

40SS	50SS	75SS		
5G68-1211	5G68-1211	5G68-1211		

Ref.	Part Description	Qty.
64	ENCLOSURE ASSEMBLY, Control	1
† 12	ENCLOSURE, Control	1
† 9	PLATE, Control Mounting	1
† 10	WASHER, Lock	4
† 11	NUT	4
† 1	TERMINAL BOARD	1
† 2	SCREW, Special, Self-Tapping	2
† 3	RELAY, (CR-1)	1
† 2	SCREW, Special, Self-Tapping	4
† 3	RELAY, (CR-2)	1
† 2	SCREW, Special, Self-Tapping	4
† 7	BRACKET, Power On Light Mounting	1
† 2	SCREW, Special, Self-Tapping	2
† 5	LAMP, Power On	1
† 6	BULB, Power On Lamp	1
† 4	RELAY, Fan Overload (Air Cooled Units Only)	1
† 2	SCREW, Special, Self-Tapping	3
† 8	SWITCH, Selector (Oil Drain)	1
65	BRACKET, Enclosure Mounting	1
66	SCREW, Cap	6
	WASHER, Lock	6
67	WASHER, Flat	6
68	NUT	2
3	PANEL, Instrument Assembly	1
56	SWITCH, Start-Stop	1
58	WEATHER PROTECTOR, Push Button	1
57	SWITCH, Two Mode Selector	1
4	PANEL ASSEMBLY	1
5	PANEL	1
6	FACE, Panel	1
	LENS, Push to Stop-Pull to Start	1
	LENS, Power on Light	1
	LENS, Low Oil Light	1
	LENS, High Temperature Light	1
	BULB, Indicator Lights	1
7	SOCKET, Power On Light	1
8	SOCKET, Low Oil Light	1
9	SOCKET, High Temperature Light	1
10	HOURMETER	1
11	GASKET, Hourmeter	1
14	SCREW, Special, Fillister Head	3
15	NUT	3
16	INDICATOR, Oil Filter, Oil Separator Restriction	2
17	INDICATOR, Air Cleaner Restriction	1
18	FITTING, Special, Indicators	5
19	NUT, Lock, Special Fitting	5
20	GAGE, Air Pressure	1

A68-1211	●	●		
Inc. A to B	Inc. A to B	Inc. A to B		
68-1211--A	●--A	●--A		
151-331	●	●		
05-51	●	●		
04-103	●	●		
121-143	●	●		
34-1201	●	●		
76-816	●	●		
34-1201	●	●		
76-816	●	●		
34-1201	●	●		
39-4551	●	●		
34-1201	●	●		
160-42	●	●		
160-43	●	●		
76-815	●	●		
34-1201	●	●		
76-721-2--B	●--B	●--B		
A39-4783	●	●		
02-34	●	●		
05-51	●	●		
06-4	●	●		
04-103	●	●		
A76-819	●	●		
Inc. C to F	Inc. C to F	Inc. C to F		
76-819--C	●--C	●--C		
14-1448	●	●		
76-721-1	●	●		
A151-329	●	●		
Inc. D & E	Inc. D & E	Inc. D & E		
151-329--D	●--D	●--D		
151-333--E	●--E	●--E		
160-66	●	●		
160-64	●	●		
160-64-1	●	●		
160-64-2	●	●		
160-65	●	●		
160-63	●	●		
160-63	●	●		
160-63	●	●		
60-457	●	●		
16-1725	●	●		
03-58	●	●		
04-9	●	●		
43-577	●	●		
60-414	●	●		
182-623	●	●		
53-261	●	●		
60-585-1	●	●		



GROUPS AND COMPONENTS

CONTROLS-
TWO MODE WITH
HOUSING

Group No. 9

MODEL

40SS

50SS

75SS

PART NUMBERS

40SS

50SS

75SS

5G68-1211

5G68-1211

5G68-1211

Continued from previous page.

Ref.	Part Description	Qty.	40SS	50SS	75SS
22	GASKET, Rear Cover	1	16-1724	•	•
21	COVER, Rear	1	14-1368	•	•
23	SCREW, Special, Fillister Head	14	34-1201	•	•
24	WASHER, Special, Shake Proof	14	06-31	•	•
25	PLATE, Air Cleaner Instruction	1	62-582	•	•
26	SCREW, Special	2	03-1406	•	•
27	PLATE, Oil Filter Instruction	1	62-583	•	•
26	SCREW, Special	2	03-1406	•	•
28	PLATE, Separator Instruction	1	62-662	•	•
26	SCREW, Special	2	03-1406	•	•
12	TERMINAL, Hourmeter	2	121-144	•	•
13	BODY, Terminal	2	121-145--F	•--F	•--F
1	MOULDING, Instrument (Weldment)	1	A151-332	•	•
2	SCREW, Special	14	34-1219	•	•
30	HINGE, Instrument Panel	2	221-956-60	•	•
29	PIN, Hinge	1	17-638-41	•	•
31	SCREW, Cap	8	02-3	•	•
32	NUT	4	04-101	•	•
33	WASHER, Lock	8	05-49	•	•
34	TUBE, Oil Filter, Oil Separator Indicator	4	H55-1546-7	•	•
36	FITTING, Elbow	4	H182-383	•	•
35	FITTING	6	182-208	•	•
37	TUBE, Air Cleaner Indicator	1	H55-1546-8	•	•
35	FITTING	1	182-208	•	•
38	FITTING	1	182-611	•	•
††	VALVE, Solenoid Dump (Blow Down)	1	15-1464	•	•
*	COUPLING, Pipe Reducing	1	013-720	•	•
*	MUFFLER, Air Exhaust	1	78-169	•	•
*	NIPPLE, Pipe	1	013-2	•	•
*	CONDUIT, Dump Valve to Control Enclosure	1	61-596	•	•
*	FITTING, Conduit	2	188-94	•	•
*	SEAL, O-Ring and Washer	2	125-715	•	•
*	SWITCH, High Temperature Safety	1	76-700	•	•
*	CONDUIT, Temperature Switch to Enclosure	1	61-596-1	•	•
*	FITTING, Conduit, Elbow	1	188-94	•	•
*	FITTING, Conduit, Straight	1	188-95	•	•
*	SEAL, O-Ring and Washer	2	125-715	•	•
55	SWITCH, Pressure, Start-Stop	1	76-723	•	•
*	SCREW, Special, Fillister Head	2	03-705	•	•
54	NIPPLE, Pipe, In Pressure Switch	1	013-2A	•	•
53	TEE, Pipe	1	013-602	•	•
52	PLUG, Pipe	1	011-102	•	•
51	FITTING	1	182-228	•	•
50	TUBE, Cross to Pressure Switch	1	55-29-22	•	•
*	FITTING, Tee	1	182-397	•	•
*	TUBE, Tee to Air Control Valve Inlet	1	55-29-22	•	•
41	TUBE, Cross to Air Control Valve Inlet (Feed)	1	55-29-12	•	•

Continued on next page.
†† Illustrated in Group 2
* Not Illustrated

• Part number is same as in first column.



GROUPS AND COMPONENTS

CONTROLS-
TWO MODE WITH
HOUSING

Group No. 9

MODEL
40SS
50SS
75SS

PART NUMBERS

40SS	50SS	75SS		
5G68-1211	5G68-1211	5G68-1211		

Continued from previous page.

Ref.	Part Description	Qty.				
*	CONDUIT, Pressure Switch to Control Enclosure	1	61-656-2	●	●	
*	FITTING, Conduit, Elbow	1	188-94	●	●	
*	FITTING, Conduit, Straight	1	188-95	●	●	
*	SEAL, O-Ring and Washer	2	125-715	●	●	
*	CONDUIT, Instrument Panel to Control Enclosure	1	61-597-2	●	●	
*	FITTING, Conduit, Elbow	2	188-94-2	●	●	
*	SEAL, O-Ring and Washer	2	125-715-2	●	●	
45**	VALVE, Control Pressure Regulator (Earlier Units)	1	15-554-1	●	●	
	KIT, Norgen Control Valve	1	A204-693	●	●	
45**	VALVE, Control Pressure Regulator (Air Con) Assembly	1	A15-1580	●	●	
	VALVE, Air Con.	1	Inc. G to J 15-1580--G	Inc. G to J ●--G	Inc. G to J ●--G	
			Inc. H & I	Inc. H & I	Inc. H & I	
	SEAT	1	220-153--H	●--H	●--H	
	DIAPHRAGM	1	220-153-1--I	●--I	●--I	
	SCREW, Fillister Head	1	34-1405	●	●	
	BRACKET, Air Con. Valve	1	39-5352--J	●--J	●--J	
49	NUT	2	04-101	●	●	
46	SCREW, Cap	2	02-7	●	●	
47	WASHER, Flat	2	02-6	●	●	
48	WASHER, Lock	2	05-49	●	●	
42	FITTING, Tee, Control Inlet	1	H182-360	●	●	
*	BUSHING, Pipe Reducing	1	013-1061	●	●	
*	TUBE, Cross to Control Valve	1	55-29-88	●	●	
44	FITTING, Control Valve Outlet	1	182-208	●	●	
43	TUBE, Control Valve to Intake Valve	1	55-29-12	●	●	
44	FITTING, Intake Valve	1	182-230	●	●	
39	TUBE, Control Valve to Gage	1	H55-1546-7	●	●	
40	FITTING, Gage	1	182-611-1	●	●	
*	INSERT, Tube Ends	12	H182-587	●	●	
*	CABLE TIES	A.R.	83-659	●	●	
*	FITTING, Tee	1	182-360	●	●	
59	SUPPORT, Control Enclosure	2	39-4660	●	●	
*	CLAMP	2	39-4661	●	●	
60	SCREW, Cap	2	02-4	●	●	
61	WASHER, Flat	2	06-67	●	●	
62	WASHER, Lock	2	05-49	●	●	

†† Illustrated in Group 2
* Not Illustrated

● Part number is same as in first column.

** User Must Determine Correct Valve



GROUPS AND COMPONENTS

CONTROLS- THIRD MODE ADAPTER KIT

Group No. 10

MODEL

40SS
50SS
75SS

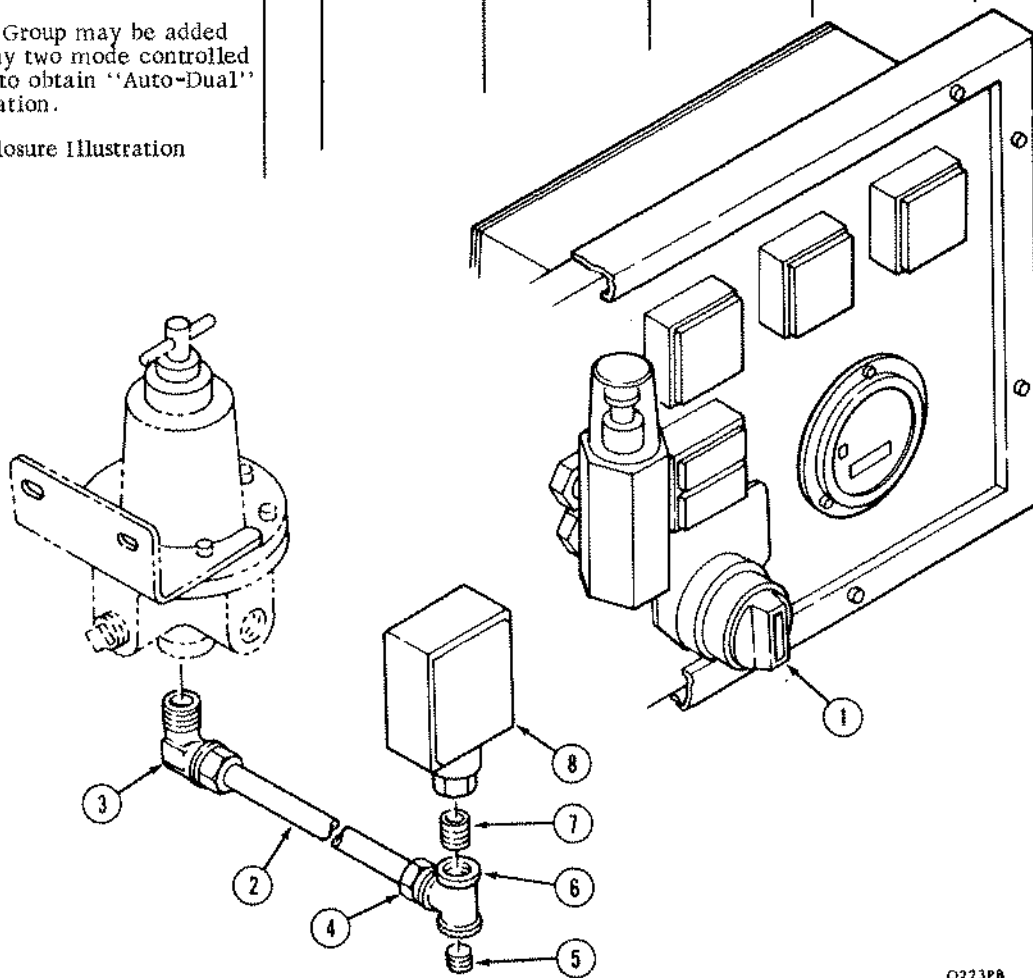
PART NUMBERS

40SS	50SS	75SS		
G76-615-3	G76-615-3	G76-615-3		

Ref.	Part Description	Qty.
1	SWITCH, Selector, Three Position	1
14†	RELAY, Time Delay	1
2†	SCREW, Special, Self-Tapping	4
8	SWITCH, Pressure	1
	SCREW, Special, Fillister Head	2
7	NIPPLE, Pipe	1
6	TEE, Pipe	1
5	PLUG, Pipe	1
4	FITTING, Tube	1
2	TUBE, Control Valve to Pressure Switch	1
3	FITTING, Tee	1
††	CONDUIT, Switch to Control Enclosure	1
††	FITTING, Conduit, Elbow	1
††	FITTING, Conduit, Straight	1
††	SEAL, O-Ring and Washer	2
††	PLATE, Wiring Diagram	1

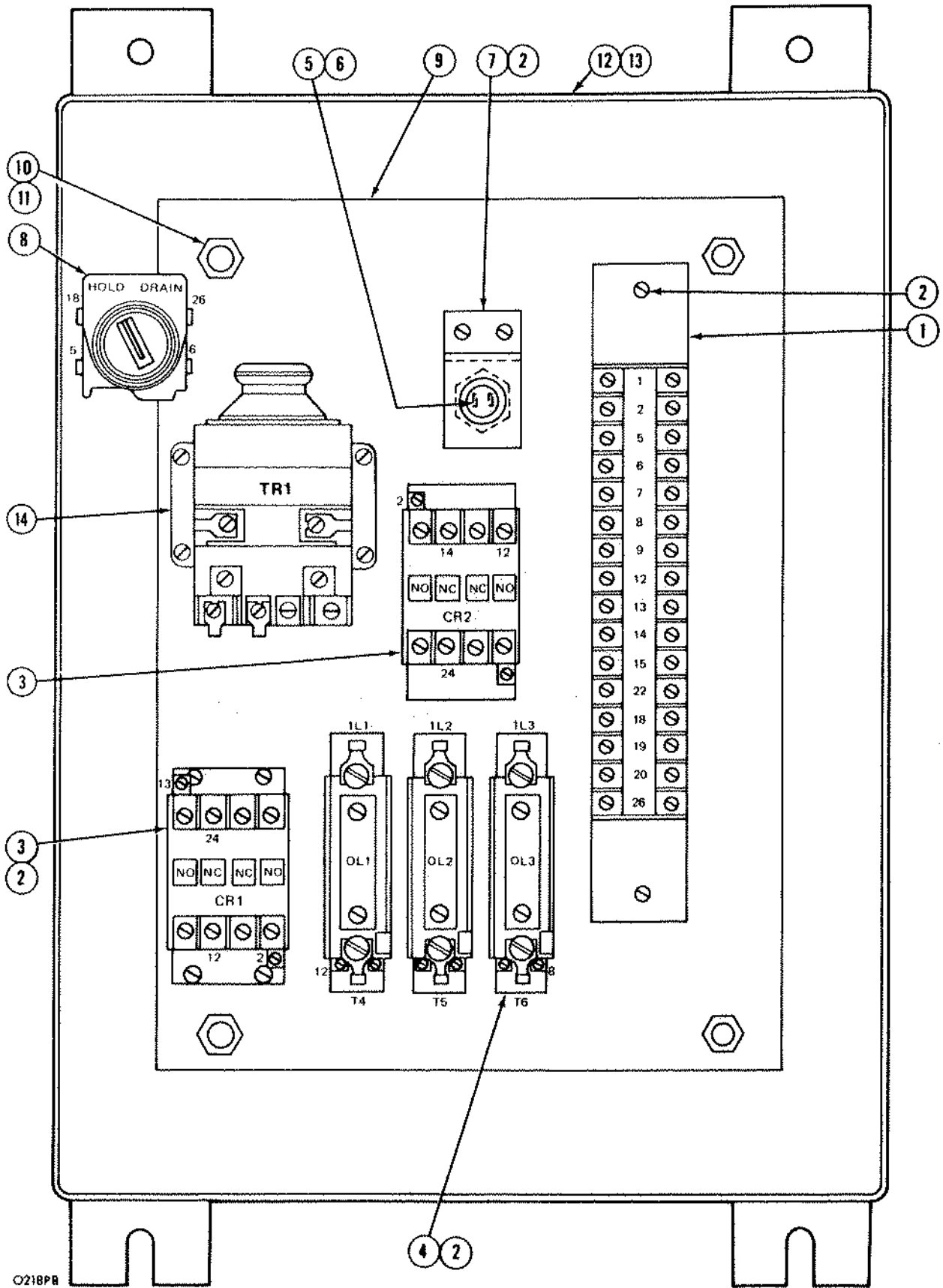
NOTE: This Group may be added to any two mode controlled unit to obtain "Auto-Dual" operation.

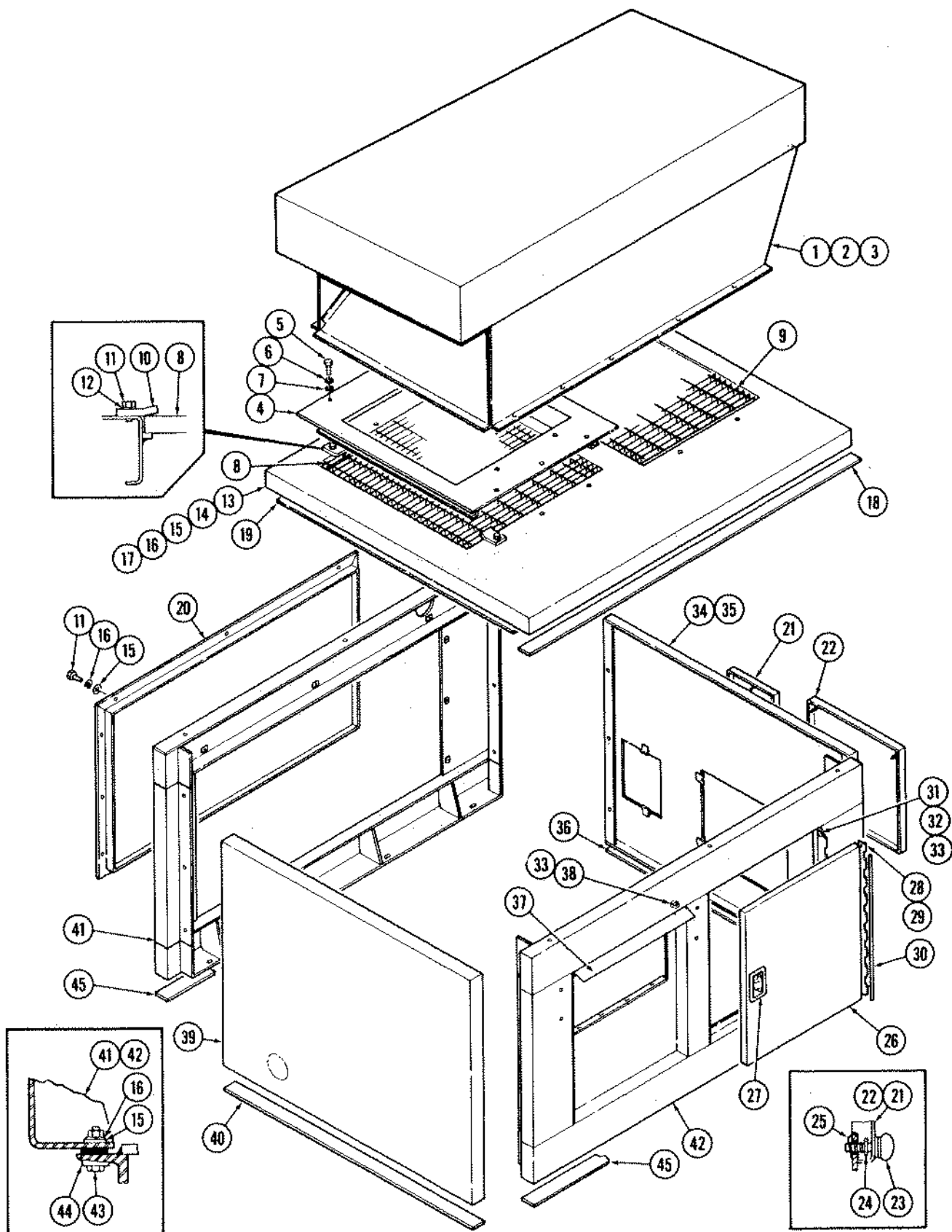
† Control Enclosure Illustration



G223PB

* Refer to Factory for Part Number • Part number is same as in first column.
 ** Must be Used When Installing the Third Mode of Operation on Two Mode Units.
 †† Not Illustrated.







GROUPS AND COMPONENTS

STANDARD HOUSING-
WEATHER DUCT

Group No. 11

MODEL

40SS
50SS
75SS

PART NUMBERS

40SS	50SS	75SS		
G68-1312	G68-1312	G68-1312		
G68-1355	G68-1355	G68-1355		

Ref.	Part Description	Qty.				
42	FRAME, Housing, Front (Instrument Panel Side)	1	A68-1312	•	•	
41	FRAME, Housing, Back	1	A68-1313	•	•	
45	PACKING, Rubber	2	125-716-6	•	•	
43	SCREW, Cap	8	02-39	•	•	
15	WASHER, Flat	8	06-69	•	•	
44	WASHER, Beveled	8	20-578	•	•	
16	WASHER, Lock	8	05-51	•	•	
*	NUT	8	04-103	•	•	
34	PANEL, End (Compressor End)	1	A68-1314	•	•	
**	SCREW, Cap	6	02-24	•	•	
**	WASHER, Flat	12	06-69	•	•	
**	WASHER, Lock	6	05-51	•	•	
**	NUT	6	04-103	•	•	
36	PACKING, Rubber, Panel to Base	1	125-716-7	•	•	
21	COVER, Dipstick Opening	1	14-1388	•	•	
23	SCREW, Captive	2	34-1223	•	•	
24	WASHER, Retainer	2	20-791	•	•	
25	NUT, Speed	2	53-693	•	•	
22	COVER, Control Enclosure Opening	1	68-1224	•	•	
23	SCREW, Captive	4	34-1223	•	•	
24	WASHER, Retainer	4	20-791	•	•	
25	NUT, Speed	4	53-693	•	•	
39	PANEL, End (Motor End)	1	A68-1315	•	•	
**	SCREW, Cap	6	02-24	•	•	
**	WASHER, Flat	12	06-69	•	•	
**	WASHER, Lock	6	05-51	•	•	
**	NUT	6	04-103	•	•	
40	PACKING, Rubber, Panel to Base	1	125-716-7	•	•	
13	TOP, Housing	1	A68-1317	•	•	
14	SCREW, Cap	6	02-24	•	•	
15	WASHER, Flat	6	06-69	•	•	
16	WASHER, Lock	6	05-51	•	•	
17	NUT, Speed (Housing Top)	6	53-360-1	•	•	
18	PACKING, Rubber, Sides	2	125-716-8	•	•	
19	PACKING, Rubber, Ends	2	125-716-9	•	•	
8	GRILL, Housing Top (Cooler End)	1	156-561	•	•	
9	GRILL, Housing Top (Compressor End)	1	156-560	•	•	
10	CLAMP, Grill	10	83-691	•	•	
11	SCREW, Cap	10	02-32	•	•	
12	WASHER, Lock	10	05-51	•	•	
26	DOOR, (Weldment)	1	A68-1320	•	•	
27	LATCH, Door	1	68-1219	•	•	
28	HINGE	1	221-956-87	•	•	
29	HINGE	1	221-956-88	•	•	
30	PIN, Hinge	1	17-638-38	•	•	
31	SCREW, Cap	10	02-3	•	•	
32	WASHER, Lock	10	05-49	•	•	
33	NUT	10	04-101	•	•	
20	COVER, Back Frame	1	A68-1316	•	•	
11	SCREW, Cap	12	02-32	•	•	
16	WASHER, Lock	12	05-51	•	•	
15	WASHER, Flat	12	06-69	•	•	

Continued on next page.

* No Reference Number
** Not illustrated

• Part number is same as in first column.



GROUPS AND COMPONENTS

STANDARD HOUSING-
WEATHER DUCT

Group No. 11

MODEL

40SS

50SS

75SS

PART NUMBERS

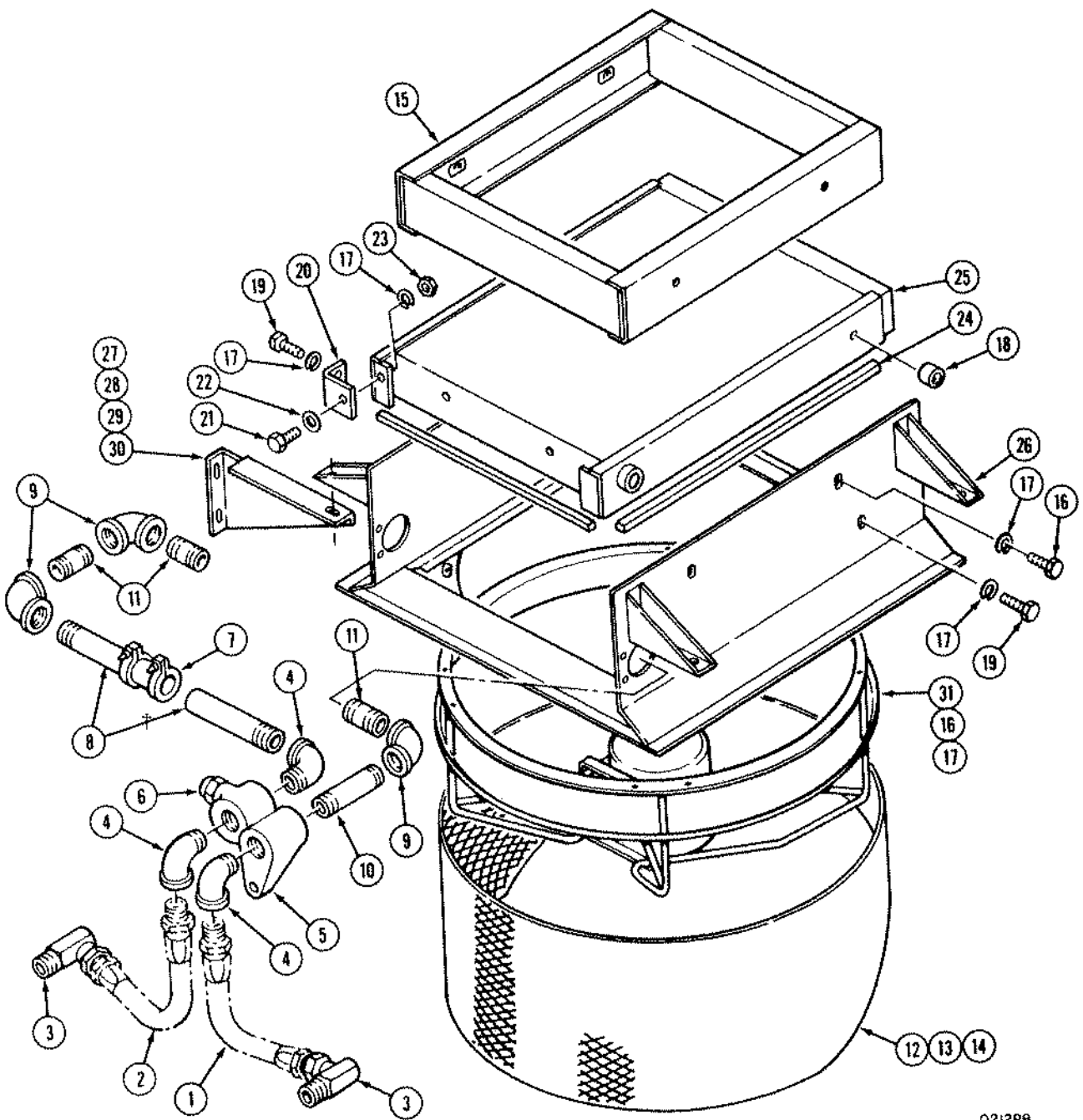
40SS	50SS	75SS		
G68-1312	G68-1312	G68-1312		
G68-1355	G68-1355	G68-1355		

Continued from previous page.

Ref.	Part Description	Qty.				
4	COVER, Adapter	1	A68-1321			
5	SCREW, Cap	6	02-24			
6	WASHER, Lock	6	05-51			
7	WASHER, Flat	6	06-69			
*	GRILLE	1	156-627			
1	DUCT, Weather	1	A68-1355	•	•	
2	FOAM, Sound Absorbing	2	124-40-22	•	•	
3	FOAM, Sound Absorbing	1	124-40-23	•	•	
**	SCREW, Cap, Special	16	M43-846-3	•	•	
**	NUT	16	04-103	•	•	
37	SHIELD, Drip	1	156-652	•	•	
38	SCREW, Cap	3	02-3	•	•	
**	WASHER, Flat	3	06-67	•	•	
33	NUT	3	04-101	•	•	
**	CALKING COMPOUND	1	125-767	•	•	

** Not Illustrated
* No Reference Number

• Part number is same as in first column.



0212PB



GROUPS AND COMPONENTS

OIL COOLER-
AIR COOLED UNIT (With Housing)

Group No. 12

MODEL

40SS

50SS

75SS

PART NUMBERS

40SS

50SS

75SS

3G71-738

1G71-744

2G71-744

5G71-738

4G71-744

6G71-744

6G71-738

5G71-744

7G71-744

7G71-738

11G71-744

8G71-744

8G71-738

12G71-744

9G71-744

9G71-738

13G71-744

10G71-744

Ref.	Part Description	Qty.	PART NUMBERS		
			40SS	50SS	75SS
25	COOLER, Oil, (Air Cooled) 125 PSI	1	71-738	71-744	71-744
25	COOLER, Oil, (Air Cooled) 150 PSI OPERATION	1	71-738-4	71-744-1	71-744-1
26	SUPPORT, Cooler	1	A201-178	A201-179	A201-180
18	SPACER	2	22-878		
19	SCREW, Cap	2	02-38	(4) 02-34	(4) 02-34
17	WASHER, Lock	2	05-51	(4) ●	(4) ●
20	SUPPORT	2	39-4771		
19	SCREW, Cap	4	02-34		
17	WASHER, Lock	4	05-51		
21	SCREW, Cap	2	02-35		
17	WASHER, Lock	2	05-51		
22	WASHER, Flat	4	06-4		
23	NUT	2	04-103		
16	SCREW, Cap	8	02-34	●	●
17	WASHER, Lock	8	05-51	●	●
15	SPACER	1	A22-880	A22-879	A22-879
16	SCREW, Cap	4	02-34	●	●
17	WASHER, Lock	4	05-51	●	●
11	NIPPLE, Pipe	3	013-152	(1) 013-153	(1) 013-153
10	NIPPLE, Pipe	1	013-156		
4	ELBOW, Street	3	013-506	●	●
5	BODY, Thermo Valve	1	116-253-2	●	●
6	ELEMENT, Thermo Valve	1	116-255		
3	FITTING, Swivel, Elbow (in Reservoir)	2	182-260	●	●
2	HOSE, Reservoir to Thermo Valve	1	73-362-8	73-362-26	73-362-26
1	HOSE, Thermo Valve to Filter	1	73-362-23	73-362-11	73-362-11
8	NIPPLE, Pipe	2	33-158-66		
7	COUPLING, Special	1	28-428-4	●	●
9	ELBOW, Pipe, Street	3	013-406	(2) 013-506	(2) 013-506
24	PACKING, Rubber	4	125-540-1		
*	BUSHING, Pipe Reducing (Cooler In and Out)	2		013-1079	013-1079
8	NIPPLE, Special	1		33-158-3	33-158-3
8†	NIPPLE, Special	1		33-158-52	33-158-52
30	SUPPORT, Cooler Assembly	2	39-4800	●	●
29	SCREW, Cap	8	02-70	●	●
28	WASHER, Lock	8	05-53	●	●
27	NUT	8	04-105	●	●
12	GUARD, Fan	1	A156-609-1		A156-609
13	SCREW, Special, Self-Tapping	6	03-1552	●	●
14	WASHER, Flat	6	06-1	●	●
*	KIT, Hose Service	1	A204-776	A204-777	A204-777
	HOSE, Oil Filter to Oil Pump	1	Inc. A to B 73-362-19--A	Inc. A to B ●--A	Inc. A to B ●--A
	HOSE, Oil Pump to Air End	1	73-362-19	●	●
	HOSE, Reservoir to Thermal Valve	1	73-362-2	73-362-19	73-362-19
	HOSE, Thermal Valve to Oil Filter	1	73-362-8--B	73-362-11--B	73-362-11--B

Continued on next page.
* Not Illustrated.

● Part number is same as in first column.



GROUPS AND COMPONENTS

OIL COOLER-
AIR COOLED UNIT (With Housing)

Group No. 12

MODEL

40SS
50SS
75SS

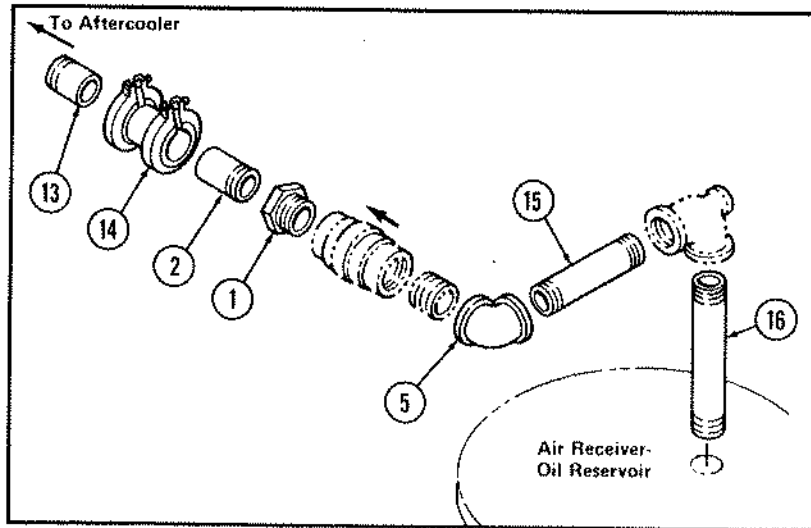
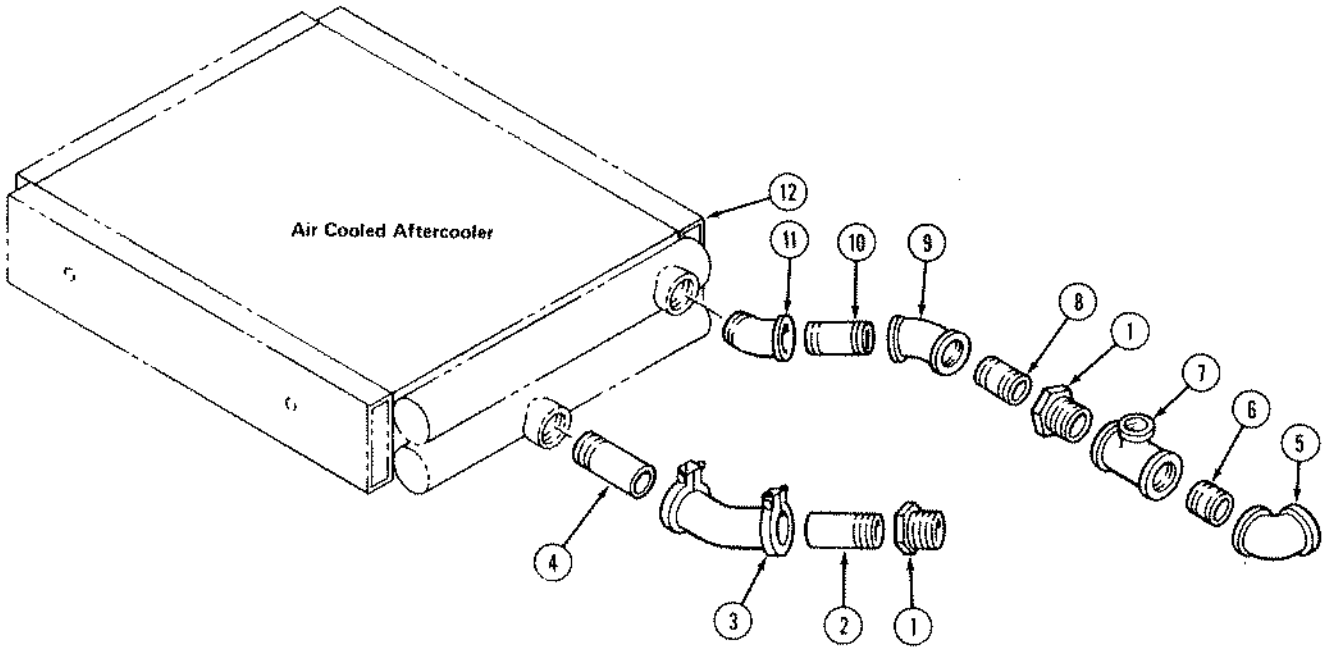
PART NUMBERS

Continued from previous page.

Ref.	Part Description	Qty.	PART NUMBERS		
			40SS	50SS	75SS
			3G71-738	1G71-744	2G71-744
			5G71-738	4G61-744	6G71-744
			6G71-738	5G71-744	7G71-744
			7G71-738	11G71-744	8G71-744
			8G71-738	12G71-744	9G71-744
			9G71-738	13G71-744	10G71-744
	<u>WITHOUT AFTERCOOLER</u>				
31	FAN ASSEMBLY (200 Volt)	1	42-217-4	42-230-4	42-231-4
31	FAN ASSEMBLY (230/460 Volt)	1	42-217-3	42-230-3	42-231-3
31	FAN ASSEMBLY (575 Volt)	1	42-217-5	42-230-5	42-231-5
*	HEATERS, Fan Overload (200 Volt)	3	H139-238-66	H139-238-24	139-238-34
*	HEATERS, Fan Overload (230 Volt)	3	H139-238-26	H139-238-23	139-238-33
*	HEATERS, Fan Overload (460 Volt)	3	H139-238-19	H139-238-17	139-238-66
*	HEATERS, Fan Overload (575 Volt)	3	H139-238-17	H139-238-15	139-238-25
	<u>WITH AFTERCOOLER</u>				
31	FAN ASSEMBLY, (200 Volt)	1	42-217-1	42-230-1	42-231-1
31	FAN ASSEMBLY, (230/460 Volt)	1	42-217	42-230	42-231
31	FAN ASSEMBLY, (575 Volt)	1	42-217-2	42-230-2	42-231-2
*	HEATERS, Fan Overload, (200 Volt)	3	139-238-34	139-238-38	139-238-41
*	HEATERS, Fan Overload, (230 Volt)	3	139-238-33	139-238-36	139-238-40
*	HEATERS, Fan Overload, (460 Volt)	3	139-238-66	139-238-30	139-238-34
*	HEATERS, Fan Overload, (575 Volt)	3	139-238-25	139-238-27	139-238-32

* Not Illustrated

• Part number is same as in first column.



0904PB



GROUPS AND COMPONENTS

AFTERCOOLER-AIR
COOLED

Group No. 13

Moisture Separator-Optional

MODEL

40SS

50SS

75SS

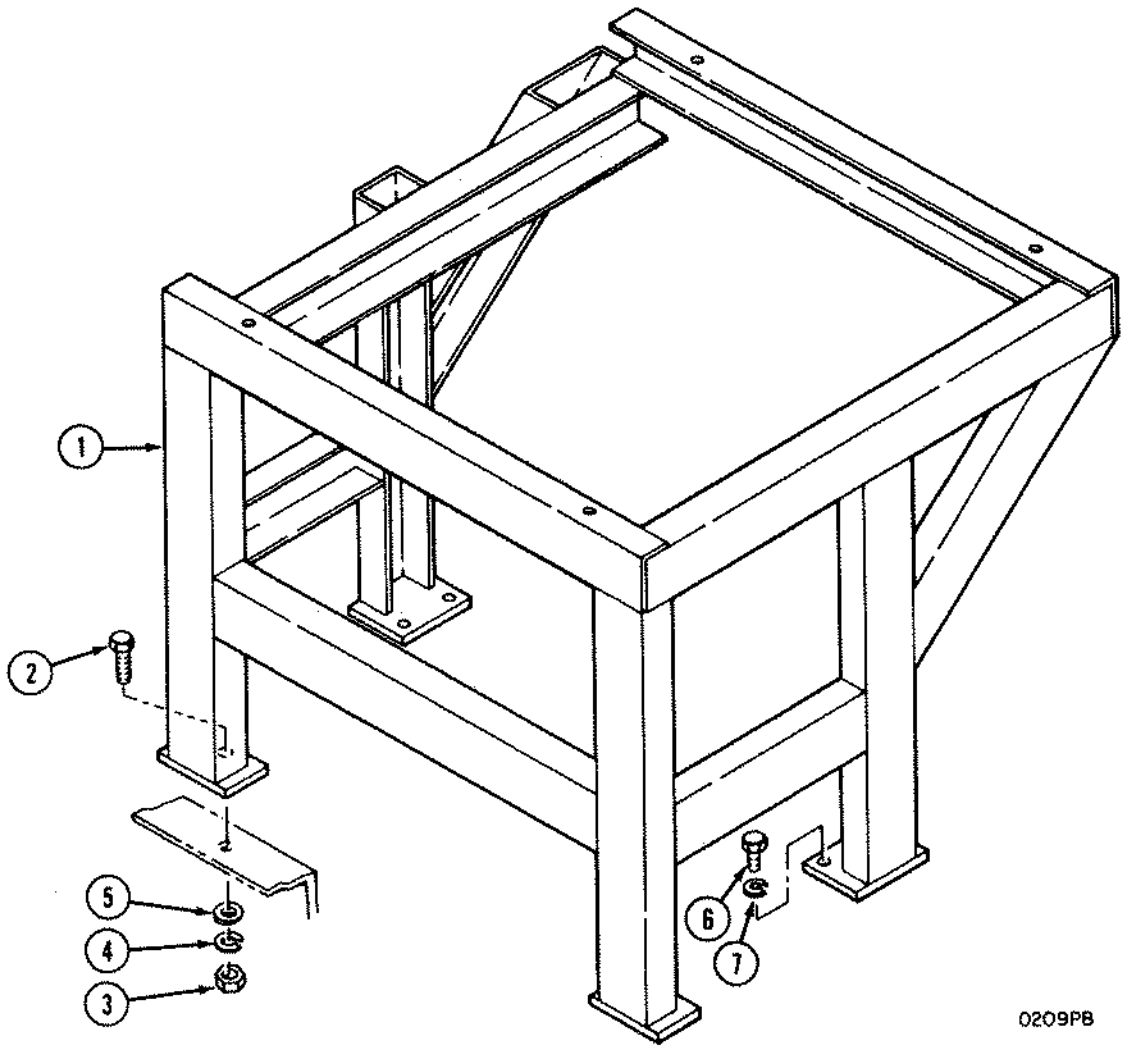
PART NUMBERS

40SS	50SS	75SS		
G71-745 G43-636-3	G71-746 G43-636-3	G71-746 G43-636-3		

Ref.	Part Description	Qty.				
12	AFTERCOOLER	1	71-745	71-746	71-746	
1	BUSHING, Pipe	1	013-1092	●	●	
4	NIPPLE, Pipe, Threads One End	1	33-100-31	●	●	
3	COUPLING, Special 45° Elbow	1	28-450	●	●	
2	NIPPLE, Pipe, Threads One End	1	33-100-21	●	●	
11	ELBOW, Pipe, Street	1	013-538	●	●	
10	NIPPLE, Pipe	1	013-198	013-192	013-192	
9	ELBOW, Pipe	1	013-438	●	●	
8	NIPPLE, Pipe	1	013-8C	●	●	
1	BUSHING, Pipe Reducing	1	013-1092	●	●	
7	TEE, Pipe Reducing	1	013-1892	●	●	
6	NIPPLE, Pipe	1	013-9C	●	●	
5	ELBOW, Pipe	1	013-409	●	●	
13	NIPPLE, Pipe, Threads One End	1	33-100	●	●	
14	COUPLING, Special	1	28-428-2	●	●	
5	ELBOW, Pipe	1	013-409	●	●	
15	NIPPLE, Pipe	1	013-216	●	●	
16	NIPPLE, Pipe	1	013-9C	●	●	
	<u>OPTIONAL MOISTURE SEPARATOR</u>					
*	SEPARATOR, Moisture	1	43-636-3	●	●	
*	BOSS, Drain	1	39-4462	●	●	
*	DRAINER, Moisture	1	15-1227	●	●	
*	SUPPORT, Drainer	1	39-4517	●	●	

* Not Illustrated

● Part number is same as in first column.



0209PB



GROUPS AND COMPONENTS

COOLER SUPPORT-
AIR COOLED UNITS
(Without Housing)

Group No. 14

MODEL

40SS
50SS
75SS

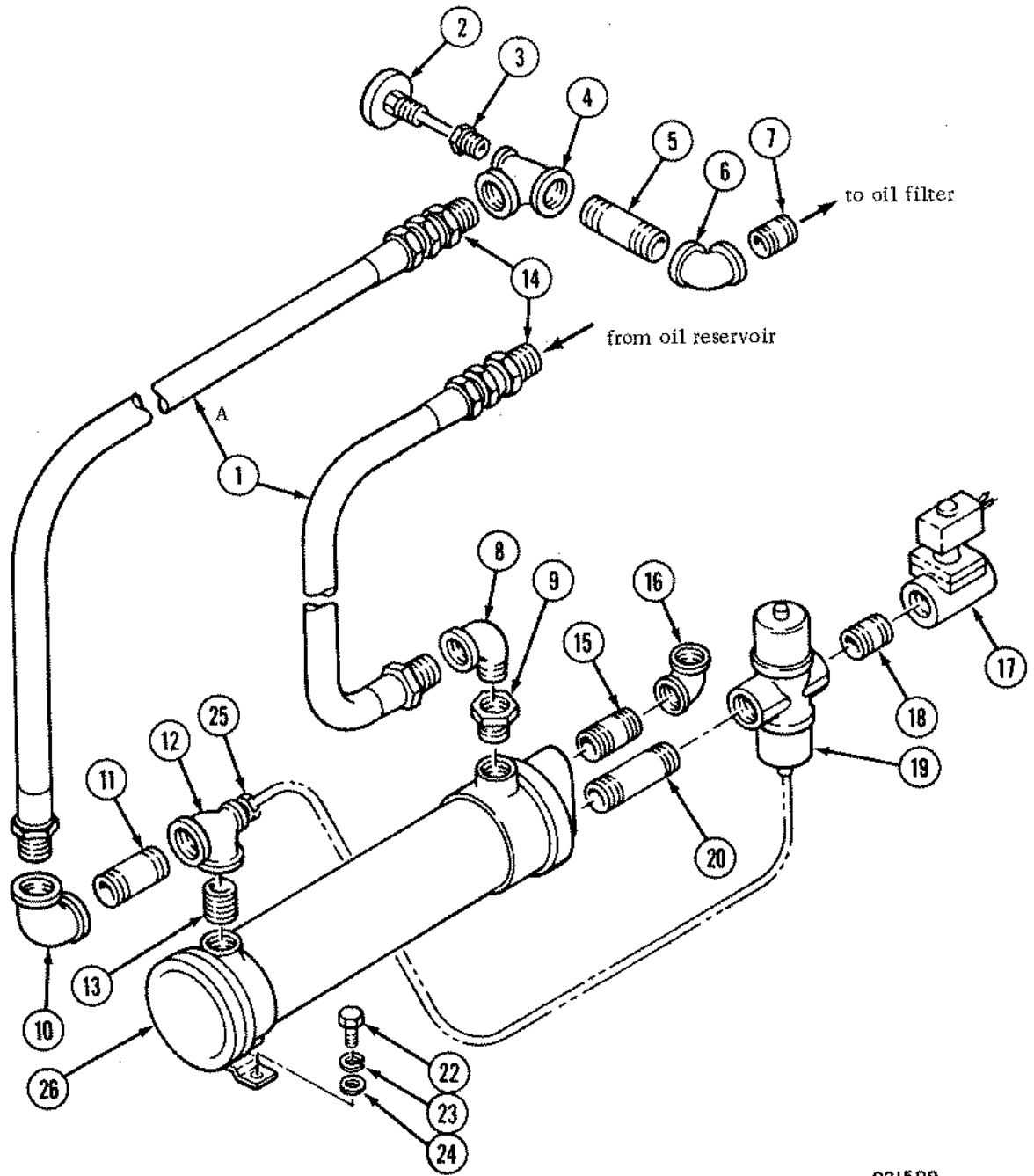
PART NUMBERS

40SS	50SS	75SS		
G39-4985	G39-4985	G39-4985		

Ref.	Part Description	Qty.
1	SUPPORT, Air Cooled Oil Cooler- Aftercooler	1
6	SCREW, Cap	4
7	WASHER, Lock	4
2	SCREW, Cap	2
5	WASHER, Bevel	2
4	WASHER, Lock	2
3	NUT	2
	CONNECTION, Air Intake	1
	SUPPORT, Air Cleaner	1
	HOSE	1
	CLAMP, Hose	2
	SCREW, Cap	1
	WASHER, Flat	2
	WASHER, Lock	1
	NUT	1

A39-4985	●	●		
02-36	●	●		
05-51	●	●		
02-72	●	●		
20-1010-2	●	●		
05-53	●	●		
04-105	●	●		
A65-1496	●	●		
39-5056	●	●		
73-37-5	●	●		
83-621-7	●	●		
02-18	●	●		
06-3	●	●		
05-50	●	●		
04-155	●	●		

● Part number is same as in first column.



0215PB



GROUPS AND COMPONENTS

OIL COOLER-WATER COOLED
UNITS-OPTIONAL WATER SHUT-
OFF VALVE

Group No. 15

MODEL

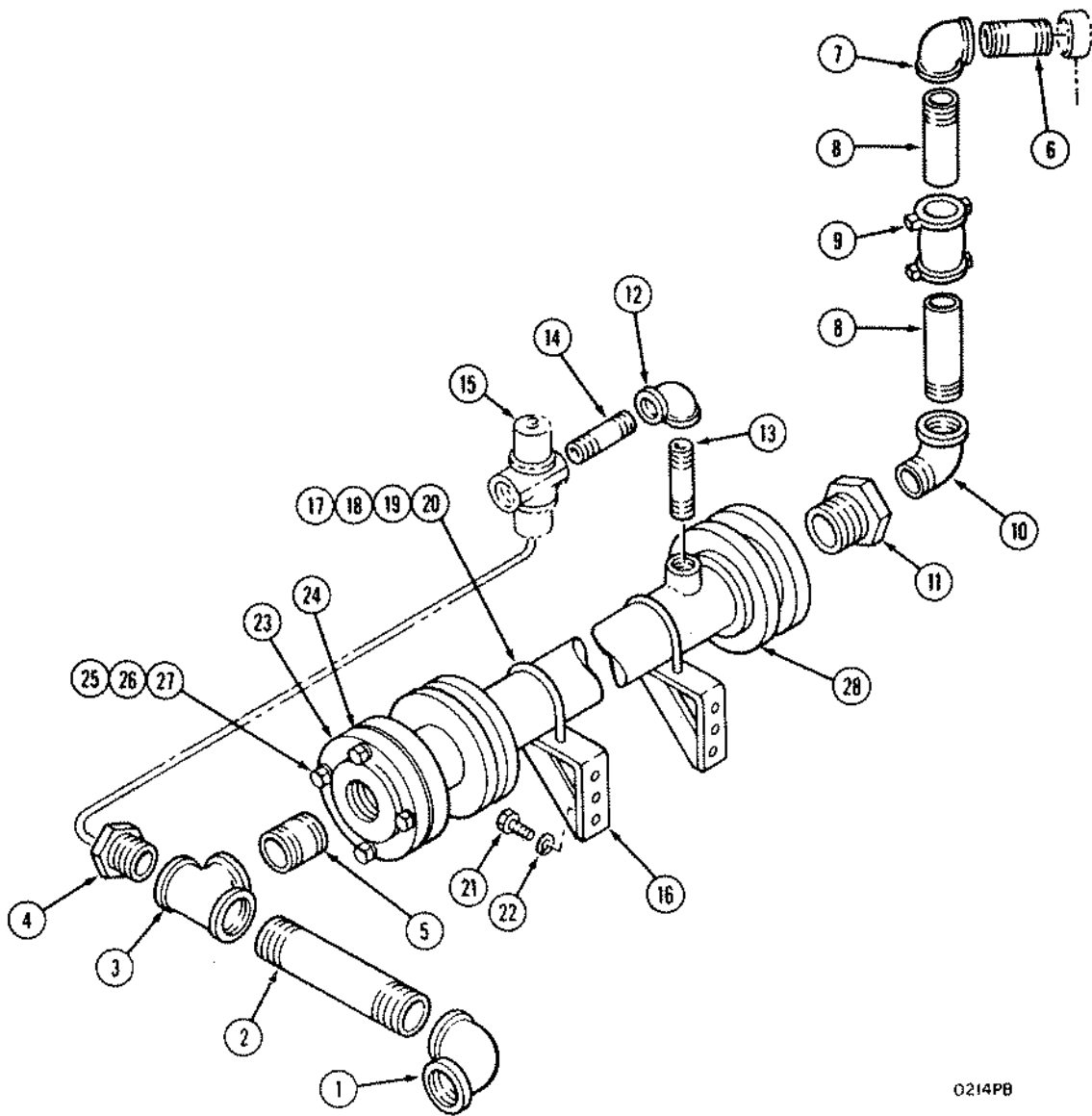
40SS
50SS
75SS

PART NUMBERS

40SS	50SS	75SS		
G71-740-2 G15-1258-1	G71-740-4 G15-1258-1	G71-740-3 G15-1258-1		

Ref.	Part Description	Qty.					
26	COOLER, Oil, Water Cooled	1	71-740-2	71-740-4	71-740-3		
22	SCREW, Cap	4	02-36	•	•		
24	WASHER, Flat	4	06-69	•	•		
23	WASHER, Lock	4	05-51	•	•		
14	FITTING, Swivel, Receiver Out	2	182-258	•	•		
1	HOSE, Receiver to Oil Cooler	1	73-362-2	•	•		
8	ELBOW, Pipe, Cooler Inlet	1	013-506	•	•		
9	BUSHING, Pipe Reducer, Cooler Inlet	1	013-1084	•	•		
13	NIPPLE, Pipe, Cooler Outlet	1	013-8	•	•		
12	TEE, Pipe, Reducing, Cooler Outlet	1	013-1886	•	•		
11	NIPPLE, Pipe, Cooler Outlet	1	013-196	•	•		
10	ELBOW, Pipe, Reducing	1	013-464	•	•		
25	PLUG, Pipe	1	011-4	•	•		
1A	HOSE, Cooler to Oil Filter	1	73-362-8	•	•		
4	TEE, Pipe Reducer	1	013-1844	•	•		
3	BUSHING, Pipe Reducing	1	013-1065	•	•		
2	THERMOMETER	1	60-449	•	•		
5	NIPPLE, Pipe	1	013-176	•	•		
6	ELBOW, Pipe	1	013-407	•	•		
7	NIPPLE, Pipe Oil Filter Inlet	1	013-7C	•	•		
15	NIPPLE, Pipe, Water Inlet	1	013-155	•	•		
16	ELBOW, Pipe, Water Inlet	1	013-406	•	•		
20	NIPPLE, Water Outlet	1	013-157	•	•		
19	VALVE, Temperature Actuated Water Flow Control	1	15-1224-3	•	•		
	<u>OPTIONAL WATER SHUT-OFF VALVE</u>						
17	VALVE, Solenoid Water Shut-Off	1	15-1258-1	•	•		
18	NIPPLE, Pipe	1	013-6A	•	•		
**	CONDUIT, Solenoid Valve to Control Enclosure	1	61-563-4	•	•		
**	FITTING, Conduit	2	188-94	•	•		
**	SEAL, O-Ring and Washer	2	125-715	•	•		
	KIT, Hose Service	1	A204-776 Inc. A to B	•	•	Inc. A to B	
	HOSE, Filter to Pump, Pump to Compressor	2	73-362-19--A	•--A	•--A		
	HOSE, Receiver to Cooler	1	73-362-2	•	•		
	HOSE, Filter to Cooler	1	73-362-8--B	•--B	•--B		

• Part number is same as in first column.



0214PB



GROUPS AND COMPONENTS

AFTERCOOLER-WATERCOOLED
AUTOMATIC TEMPERATURE
CONTROL

Group No. 16

MODEL

40SS

50SS

75SS

PART NUMBERS

40SS

50SS

75SS

G71-735-2
G15-1224-2

G71-735-2
G15-1224-2

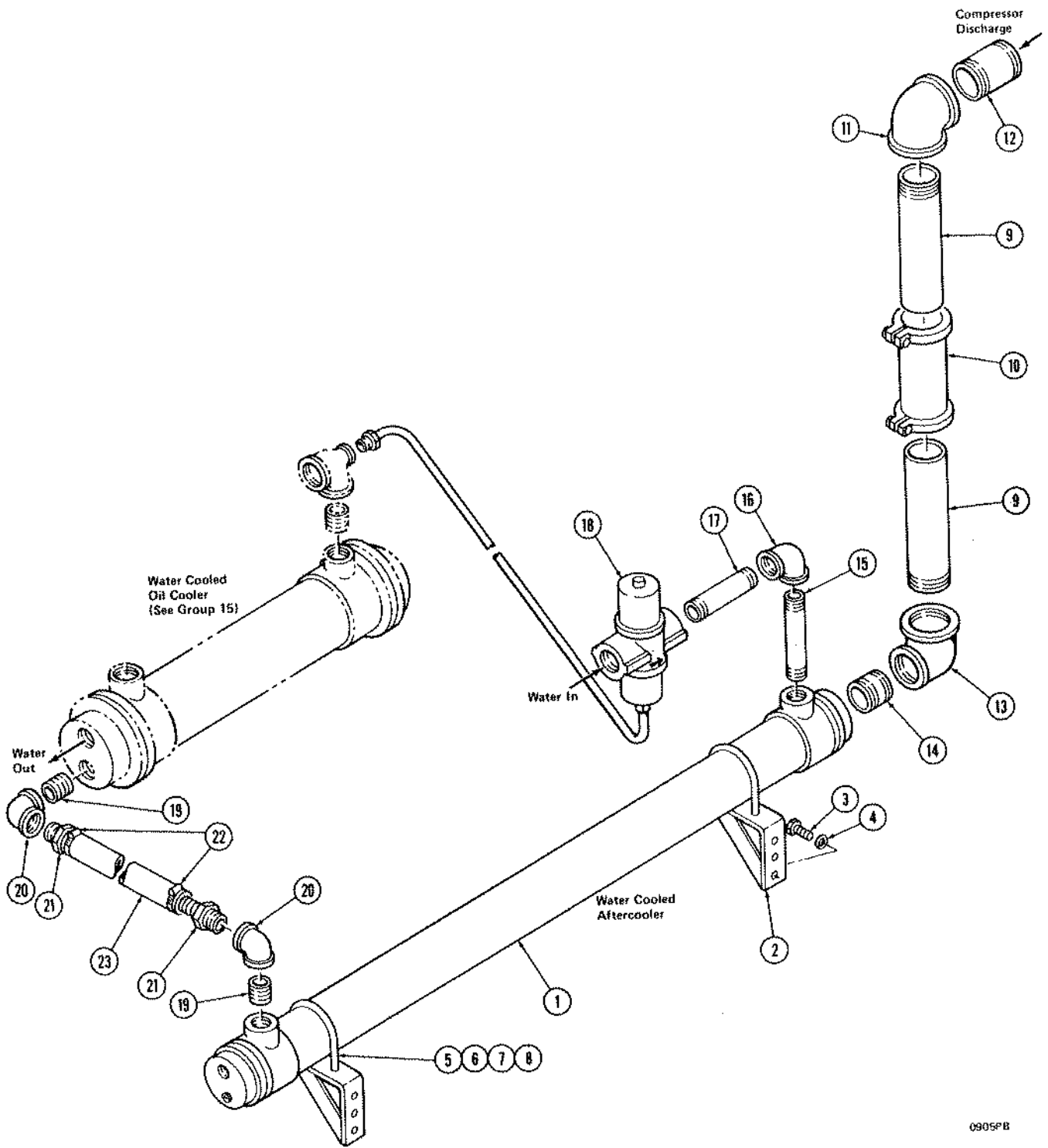
1G71-735
G15-1224-2

S/N
4001 x 165
and Before

S/N
4002 x 156
and Before

S/N
4001 x 164
and Before

Ref.	Part Description	Qty.	PART NUMBERS		
			40SS	50SS	75SS
28	AFTERCOOLER, Water Cooled	1	71-735-2	●	71-735
16	SUPPORT, Aftercooler	2	A39-4779	●	●
21	SCREW, Cap	4	02-36	●	●
22	WASHER, Lock	4	05-51	●	●
20	'U' BOLT	2	34-1253	●	34-1217
19	WASHER, Flat	4	06-3	●	●
18	WASHER, Lock	4	05-50	●	●
17	NUT	4	04-102	●	●
8	NIPPLE, Pipe, Special	1	33-86-12	●	●
9	COUPLING, Special Pipe	1	28-428-1	●	●
8	NIPPLE, Pipe, Special	1	33-86-12	●	●
7	ELBOW, Pipe	1	013-409	●	●
6	NIPPLE, Pipe	1	013-214	●	●
10	ELBOW, Street	1	013-509	●	●
11	BUSHING, Pipe Reducer	1	013-1104	●	013-1115
23	FLANGE, Discharge	1	33-819	●	33-809
24	GASKET, Flange	1	16-1752	●	16-1738
27	SCREW, Cap	4	02-107	●	(8) ●
26	WASHER, Lock	4	05-55	●	(8) ●
25	NUT	4	04-108	●	(8) ●
13	NIPPLE, Pipe	1	013-153	●	●
12	ELBOW, Pipe	1	013-406	●	●
<u>AUTOMATIC TEMPERATURE CONTROL</u>					
15	VALVE, Water Temperature Control	1	15-1224-2	●	●
5	NIPPLE, Pipe	1	013-9	●	●
3	TEE, Pipe, Reducing	1	013-1713	●	●
4	BUSHING, Pipe Reducer	1	013-1095	●	●
*	BUSHING, Pipe Reducer	1	013-1072	●	●
2	NIPPLE, Pipe	1	013-239	●	●
1	ELBOW, Pipe	1	013-410	●	●
14	NIPPLE	1	013-6E	●	●
NOTE: For Optional Solenoid Operated Water Shutoff Valve See Group 15.					





GROUPS AND COMPONENTS

AFTERCOOLER-WATERCOOLED
AUTOMATIC TEMPERATURE
CONTROL

Group No. 16A

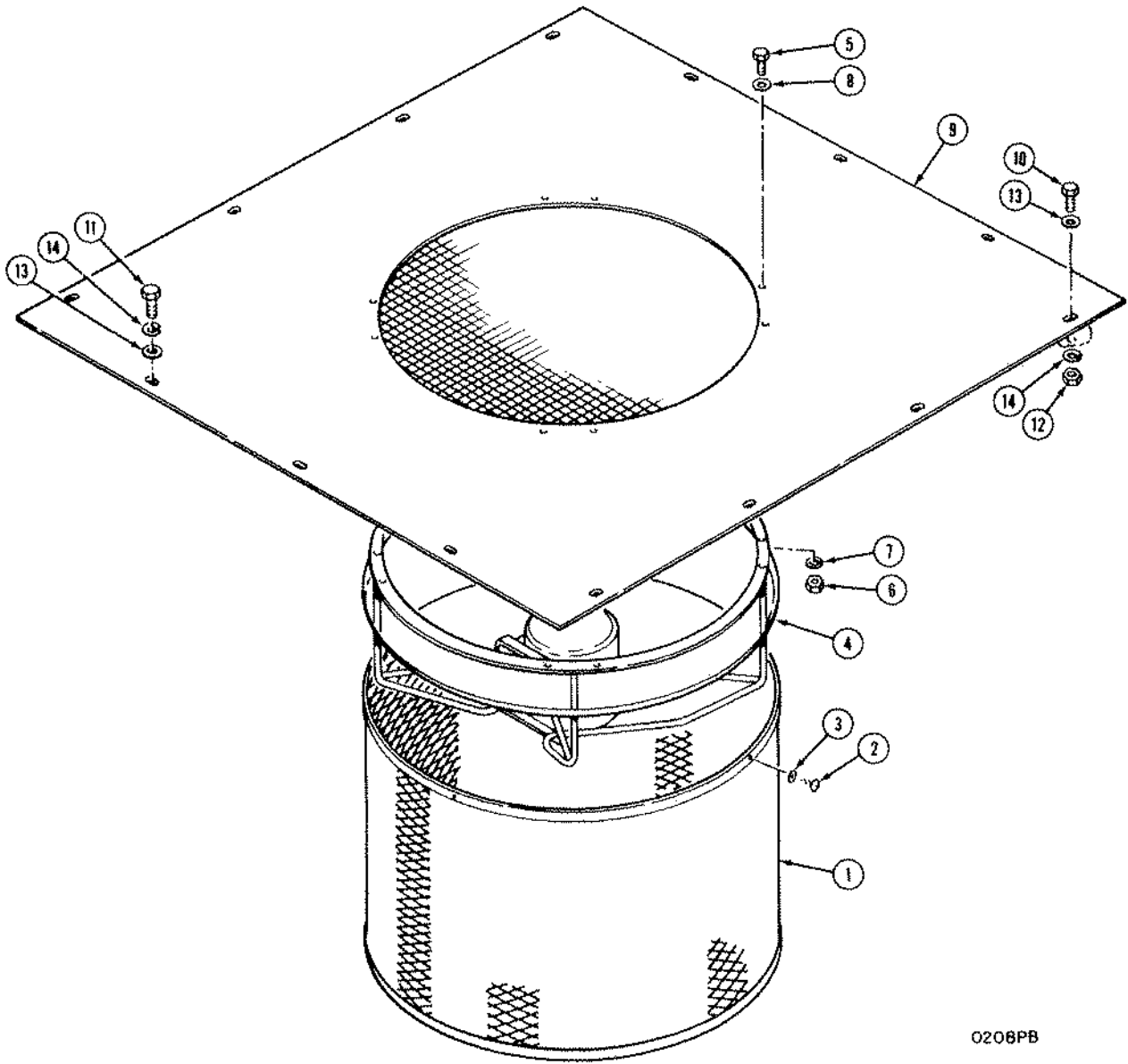
MODEL

40SS
50SS
75SS

PART NUMBERS

Ref.	Part Description	Qty.	PART NUMBERS		
			40SS	50SS	75SS
			G71-800	G71-800-1	G71-800-2
			S/N 4001 x 186 and Later	S/N 4002 x 157 and Later	S/N 4001 x 188 and Later
1	AFTERCOOLER, Water Cooled	1	71-800	71-800-1	71-800-2
2	SUPPORT, Aftercooler	2	A39-4779	●	●
3	SCREW, Cap	4	02-36	●	●
4	WASHER, Lock	4	05-51	●	●
5	'U' BOLT	2	34-1366	34-1367	34-1367
6	WASHER, Flat	4	06-3	●	●
7	WASHER, Lock	4	05-50	●	●
8	NUT	4	04-102	●	●
9	NIPPLE, Pipe Special	2	33-86-12	●	●
10	COUPLING, Special	1	28-428-1	●	●
11	ELBOW, Pipe	1	013-409	●	●
12	NIPPLE, Pipe	1	013-214	●	●
13	ELBOW, Pipe Reducer	1	013-469	013-466	013-466
14	NIPPLE, Pipe	1	013-5	013-8	013-8
15	NIPPLE, Pipe	1	013-153	●	●
16	ELBOW, Pipe	1	013-406	●	●
17	NIPPLE, Pipe	1	013-6E	●	●
18	VALVE, Water Temperature Control	1	15-1224-3	●	●
19	NIPPLE, Pipe	2	013-6	●	●
20	ELBOW, Pipe Reducer	2	013-459	●	●
21	FITTING, Hose	2	33-1018	●	●
22	CLAMP, Hose	2	83-621-1	●	●
23	HOSE, Water, 1 1/4" I.D.	1	*	*	*

NOTE: For Optional Solenoid
Operated Water Shut-Off
Valve See Group 15.



0206PB



GROUPS AND COMPONENTS

HOUSING VENTILATION FAN,
WATER COOLED UNITS ONLY

Group No. 17

MODEL

40SS

50SS

75SS

PART NUMBERS

40SS

50SS

75SS

G42-232-2
1G42-232
1G42-232-1

G42-232-2
1G42-232
1G42-232-1

G42-232-2
1G42-232
1G42-232-1

Ref.	Part Description	Qty.	PART NUMBERS			
			40SS	50SS	75SS	
4	FAN ASSEMBLY, Ventilation (200 Volt, 60 Hz. 3 Phase)	1	42-232-2	●	●	
4	FAN ASSEMBLY, Ventilation (230/460 Volt, 60 Hz 3 Phase)	1	42-232	●	●	
4	FAN ASSEMBLY, Ventilation (575 Volt, 60 Hz 3 Phase)	1	42-232-1	●	●	
9	SUPPORT, Fan	1	A39-4971	●	●	
11	SCREW, Cap	6	02-33	●	●	
10	SCREW, Cap	8	02-36	●	●	
14	WASHER, Lock	14	05-51	●	●	
13	WASHER, Flat	14	06-4	●	●	
12	NUT	8	04-103-1	●	●	
5	SCREW, Cap	8	02-6	●	●	
7	WASHER, Lock	8	05-49	●	●	
8	WASHER, Flat	8	06-2-1	●	●	
6	NUT	8	04-101-1	●	●	
1	GUARD, Fan	1	A156-609-1	●	●	
2	SCREW, Special, Self-Threading	6	03-1552	●	●	
3	WASHER, Flat	6	06-1	●	●	

● Part number is same as in first column.



GROUPS AND COMPONENTS

FAN CONTACTOR
(OPTIONAL COLD WEATHER
FAN CONTROL)

Group No. 18

MODEL

40SS

50SS

75SS

PART NUMBERS

Ref.	Part Description	Qty.	PART NUMBERS			
			40SS	50SS	75SS	
			G76-728	G76-728	G76-728	
	SWITCH, Fan Starter	1	76-728	•	•	
	SCREW, Cap	4	02-17	•	•	
	WASHER, Lock	4	05-50	•	•	
	NUT	4	04-102	•	•	
	SWITCH, Temperature Controlled (Oil)	1	76-700-1	•	•	
	CONDUIT, Temperature Switch to Starter Enclosure	1	61-596-2	•	•	
	FITTING, Conduit	2	188-94	•	•	
	SEAL, O-Ring and Washer	2	125-715	•	•	
	CONDUIT, Control Enclosure to Contactor	1	61-833	•	•	
	FITTING, Elbow, Conduit	1	188-94-4	•	•	
	TERMINALS	3	121-68	•	•	
	SCREW, Fillister Head	3	03-90	•	•	
	NUT	3	04-63	•	•	
	CONDUIT, Fan Motor to Contactor	1	61-833	•	•	
	FITTING, Conduit	2	188-94-4	•	•	
	WIRE, Motor	6	61-661	•	•	
	WIRE, Control Circuit	2	61-662	•	•	

• Part number is same as in first column.



GROUPS AND COMPONENTS

LINE STARTER MOUNTING BRACKETS AND HARDWARE,

Group No. 19

Without Housing (200 Volts)

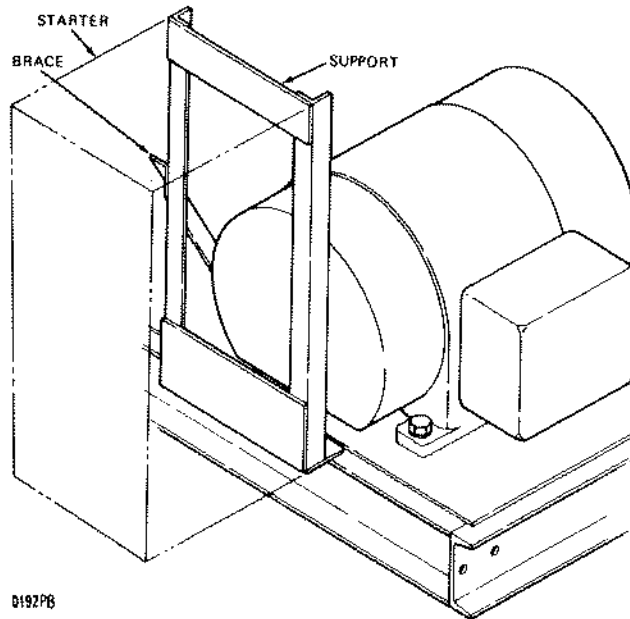
MODEL

40SS-50SS-75SS

PART NUMBERS

40SS	50SS	75SS		
2G39-4975	G39-4974	1G39-4974		

Ref.	Part Description	Qty.			
	SUPPORT, Line Starter	1	A39-4975	A39-4974	A39-4974
	BRACE	1	39-4976	●	●
	SCREW, Cap	3	02-39	●	●
	WASHER, Beveled	3	20-578	●	●
	WASHER, Lock	3	05-51	●	●
	SCREW, Cap, Line Starter Mounting	3	02-36	●	●
	WASHER, Lock	3	05-51	●	●
	NUT	3	04-103	●	●
	FITTING, Conduit, Straight	1	188-115	188-116	188-116
	CONDUIT, Line Starter to Motor	1	61-824	61-650-1	61-650-1
	FITTING, Conduit, Elbow	1	188-115-1	121-130	121-130
	CABLE, Electric	3	61-828	61-643-2	61-829
	FITTING, Cable Terminal	3	121-150	121-132	121-153
	BUSHING, Plastic Wire Protector	2	188-74-4	188-74-2	188-74-2
	WASHER, Reducing	2	20-830	20-830-2	
	FITTING, Conduit, Elbow	1	H121-136	●	●
	CONDUIT, Line Starter to Control Enclosure	1	H61-579-2	●	●
	FITTING, Conduit, Straight	1	121-140	●	●
	NUT	3	04-103	●	●



0192PB

• Part number is same as in FIRST COLUMN.



GROUPS AND COMPONENTS

LINE STARTER MOUNTING
BRACKETS AND HARDWARE
WITHOUT HOUSING (200 VOLTS)

Group No. 19

MODEL

40SS
50SS
75SS

PART NUMBERS

40SS	50SS	75SS
2G39-4975	G39-4974	1G39-4974

Ref.	Part Description	Qty.	40SS	50SS	75SS
	SUPPORT, Line Starter	1	A39-4975	A39-4974	A39-4974
	BRACE	1	39-4976	•	•
	SCREW, Cap	3	02-39	•	•
	WASHER, Beveled	3	20-578	•	•
	WASHER, Lock	3	05-51	•	•
	SCREW, Cap, Line Starter Mounting	3	02-36	•	•
	WASHER, Lock	3	05-51	•	•
	NUT	3	04-103	•	•
	FITTING, Conduit, Straight	1	188-115	188-116	188-116
	CONDUIT, Line Starter to Motor	1	61-824	61-650-1	61-650-1
	FITTING, Conduit, Elbow	1	188-115-1	121-130	121-130
	CABLE, Electric	3	61-828	61-643-2	61-829
	FITTING, Cable Terminal	3	121-150	121-132	121-153
	BUSHING, Plastic Wire Protector	2	188-74-4	188-74-2	188-74-2
	WASHER, Reducing	2	20-830	20-830-2	
	FITTING, Conduit, Elbow	1	H121-136	•	•
	CONDUIT, Line Starter to Control Enclosure	1	H61-579-2	•	•
	FITTING, Conduit, Straight	1	121-140	•	•
	NUT	3	04-103	•	•

• Part number is same as in first column.



GROUPS AND COMPONENTS

LINE STARTER MOUNTING
BRACKETS AND HARDWARE,
WITHOUT HOUSING (230 VOLTS)

Group No. 20

MODEL

40SS
50SS
75SS

PART NUMBERS

40SS	50SS	75SS
3G39-4975	2G39-4975	1G39-4974

Ref.	Part Description	Qty.			
	SUPPORT, Line Starter	1	A39-4975	●	A39-4974
	BRACE	1	39-4976	●	●
	SCREW, Cap	3	02-39	●	●
	WASHER, Beveled	3	20-578	●	●
	WASHER, Lock	3	05-51	●	●
	NUT	3	04-103	●	●
	SCREW, Cap, Line Starter Mounting	4	02-36	●	●
	WASHER, Lock	4	05-51	●	●
	NUT	4	04-103	●	●
	FITTING, Conduit, Straight	1	188-115	●	188-116
	CONDUIT, Line Starter to Motor	1	61-824	●	61-650-1
	FITTING, Conduit, Elbow	1	188-115-1	●	121-130
	CABLE, Electric	3	61-827	61-828	61-829
	FITTING, Cable Terminal	3	121-151	●	121-153
	BUSHING, Plastic Wire Protector	2	188-74-4	●	188-74-2
	WASHER, Reducing	2	20-830-2	20-830	●
	FITTING, Conduit	1	H121-136	●	●
	CONDUIT, Line Starter to Control Enclosure	1	H61-579-2	●	●
	FITTING, Conduit	1	121-140	●	●
	See Group 19 For Illustrations				

● Part number is same as in first column.



GROUPS AND COMPONENTS

LINE STARTER MOUNTING
BRACKETS AND HARDWARE
WITHOUT HOUSING (460 VOLTS)

Group No. 21

MODEL

40SS

50SS

75SS

PART NUMBERS

40SS

50SS

75SS

G39-4975

G39-4975

3G39-4975

Ref.	Part Description	Qty.	PART NUMBERS			
			40SS	50SS	75SS	
	SUPPORT, Line Starter	1	A39-4975	●	●	
	BRACE	1	39-4976	●	●	
	SCREW, Cap	3	02-39	●	●	
	WASHER, Beveled	3	20-578	●	●	
	WASHER, Lock	3	05-51	●	●	
	NUT	3	04-103	●	●	
	SCREW, Cap, Line Starter Mounting	3	02-36	●	●	
	WASHER, Lock	3	05-51	●	●	
	NUT	3	04-103	●	●	
	FITTING, Conduit, Straight	1	188-114	●	188-115	
	CONDUIT, Line Starter to Motor	1	61-825	●	61-824	
	FITTING, Conduit, Elbow	1	188-114-1	●	188-115-1	
	CABLE, Electric	3	61-637-1	●	61-827	
	FITTING, Cable Terminal	3	121-126	●	121-151	
	BUSHING, Plastic Wire Protector	2	188-74-5	●	188-74-4	
	WASHER, Reducing	2	20-830	●	20-830-2	
	FITTING, Conduit, Elbow	1	H121-136	●	●	
	CONDUIT, Line Starter to Control Enclosure	1	H61-579-2	●	●	
	FITTING, Conduit, Straight	1	121-140	●	●	
	WASHER, Reducing	2			20-830-1	
	See Group 19 for Illustrations					

● Part number is same as in first column.



GROUPS AND COMPONENTS

LINE STARTER MOUNTING
BRACKETS AND HARDWARE,
WITHOUT HOUSING (575 VOLTS)

Group No. 22

MODEL

40SS
50SS
75SS

PART NUMBERS

40SS	50SS	75SS		
1G39-4975	G39-4975	4G39-4975		

Ref.	Part Description	Qty.				
	SUPPORT, Line Starter	1	A39-4975	●	●	
	BRACE	1	39-4976	●	●	
	SCREW, Cap	3	02-39	●	●	
	WASHER, Beveled	3	20-578	●	●	
	WASHER, Lock	3	05-51	●	●	
	NUT	3	04-103	●	●	
	SCREW, Cap, Line Starter Mounting	3	02-36	●	●	
	WASHER, Lock	3	05-51	●	●	
	NUT	3	04-103	●	●	
	FITTING, Conduit, Straight	1	188-114	●	●	
	CONDUIT, Line Starter to Motor	1	61-825	●	61-824	
	FITTING, Conduit, Elbow	1	188-114-1	●	188-115-1	
	CABLE, Electric	3	61-826	61-637-1	61-558-1	
	FITTING, Cable Terminal	3	121-152	121-126	121-122	
	BUSHING, Plastic Wire Protector	2	188-74-5	●	188-74-4	
	WASHER, Reducing	2	20-830	●	20-830-1	
	FITTING, Conduit, Elbow	1	H121-136	●	●	
	CONDUIT, Line Starter to Control Enclosure	1	H61-579-2	●	●	
	FITTING, Conduit, Straight	1	121-140	●	●	
	See Group 19 for Illustrations					

● Part number is same as in first column.



GROUPS AND COMPONENTS

LINE STARTER MOUNTING
HARDWARE WITH HOUSING
(200 VOLTS)

Group No. 23

MODEL

40SS

50SS

75SS

PART NUMBERS

40SS

50SS

75SS

G61-824

G61-650-1

1G61-650-1

Ref.	Part Description	Qty.	40SS	50SS	75SS
	SCREW, Cap, Line Starter Mounting	3	02-36	(4) ●	(4) ●
	WASHER, Lock	3	05-51	(4) ●	(4) ●
	NUT	3	04-103	(4) ●	(4) ●
	CONDUIT, Line Starter to Motor	1	61-824	61-650-1	61-650-1
	FITTING, Conduit, Straight	1	188-115	188-116	118-116
	FITTING, Conduit, Elbow	1	188-115-1	121-130	121-130
	CABLE, Electric	3	61-828	61-643-2	61-829
	FITTING, Cable Terminal	3	121-150	121-132	121-153
	BUSHING, Plastic Wire Protector	2	188-74-4	188-74-2	●
	WASHER, Reducing	2	20-830-2		
	CONDUIT, Line Starter to Control Enclosure	1	H61-579-2	●	●
	FITTING, Conduit, Elbow	1	H121-136	●	●
	FITTING, Conduit, Straight	1	121-140	●	●
	See Group 19 for Illustrations				

● Part number is same as in first column.



GROUPS AND COMPONENTS

LINE STARTER MOUNTING
HARDWARE WITH HOUSING
(230 VOLT)

Group No. 24

MODEL

40SS
50SS
75SS

PART NUMBERS

40SS	50SS	75SS		
1G61-824	G61-824	1G61-650-1		

Ref.	Part Description	Qty.				
	SCREW, Cap, Line Starter Mounting	3	02-36	●	(4) ●	
	WASHER, Lock	3	05-51	●	(4) ●	
	NUT	3	04-103	●	(4) ●	
	CONDUIT, Line Starter to Motor	1	61-824	●	61-650-1	
	FITTING, Conduit, Straight	1	188-115	●	188-116	
	FITTING, Conduit, Elbow	1	188-115-1	●	121-130	
	CABLE, Electric	3	61-827	61-828	61-646	
	FITTING, Cable Terminal	3	121-151	121-150	121-133	
	BUSHING, Plastic Wire Protector	2	188-74-4	●	188-74-2	
	WASHER, Reducing	2		20-830-2		
	WASHER, Reducing	2	20-830-3			
	WASHER, Reducing	2	20-830-1			
	CONDUIT, Line Starter to Control Enclosure	1	H61-579-2	●	●	
	FITTING, Conduit, Elbow	1	H121-136	●	●	
	FITTING, Conduit, Straight	1	121-140	●	●	

● Part number is same as in first column.



GROUPS AND COMPONENTS

LINE STARTER MOUNTING
HARDWARE, WITH HOUSING
(460 VOLTS)

Group No. 25

MODEL

40SS
50SS
75SS

PART NUMBERS

40SS	50SS	75SS
1G61-825	1G61-825	1G61-824

Ref.	Part Description	Qty.				
	SCREW, Cap Line Starter Mounting	3	02-36	•	•	
	WASHER, Lock	3	05-51	•	•	
	NUT	3	04-103	•	•	
	CONDUIT, Line Starter to Motor	1	61-825	•	61-824	
	FITTING, Conduit, Straight	1	188-114	•	188-115	
	FITTING, Conduit, Elbow	1	188-114-1	•	188-115-1	
	CABLE, Electric	3	61-637-1	•	61-827	
	FITTING, Cable Terminal	3	121-126	•	121-151	
	BUSHING, Plastic Wire Protector	2	188-74-5	•	188-74-4	
	WASHER, Reducing	2	20-830	•	20-830-3	
	CONDUIT, Line Starter to Control Enclosure	1	H61-597-2	•	20-830-1	
	FITTING, Conduit, Elbow	1	H121-136	•	•	
	FITTING, Conduit, Straight	1	121-140	•	•	

• Part number is same as in first column.



GROUPS AND COMPONENTS

LINE STARTER MOUNTING
HARDWARE, WITH HOUSING
(575 VOLTS)

Group No. 26

MODEL

40SS

50SS

75SS

PART NUMBERS

40SS

50SS

75SS

G61-825

1G61-825

2G61-824

Ref.	Part Description	Qty.	PART NUMBERS			
			40SS	50SS	75SS	
	SCREW, Cap, Line Starter Mounting	3	02-36	●	●	
	WASHER, Lock	3	05-51	●	●	
	NUT	3	04-103	●	●	
	CONDUIT, Line Starter to Motor	1	61-825	●	61-824	
	FITTING, Conduit, Straight	1	188-114	●	188-115	
	FITTING, Conduit, Elbow	1	188-114-1	●	188-115-1	
	CABLE, Electric	3	61-826	61-637-1	61-558	
	FITTING, Cable Terminal	3	121-152	121-126	121-122	
	BUSHING, Plastic Wire Protector	2	188-74-5	●	188-74-4	
	WASHER, Reducing	2	20-830	●	20-830-1	
	CONDUIT, Line Starter to Control Enclosure	1	H61-579-2	●	●	
	FITTING, Conduit, Elbow	1	H121-136	●	●	
	FITTING, Conduit, Straight	1	121-140	●	●	

• Part number is same as in first column.



GROUPS AND COMPONENTS

LINE STARTER, WITH OVER-LOAD HEATERS AND CONTROL TRANSFORMER

Group No. 27

MODEL

40SS
50SS
75SS

PART NUMBERS

40SS	50SS	75SS		
76-783 Series	76-783 Series	76-783 Series		

Ref.	Part Description	Qty.				
	LINE STARTER, 200 Volt, 60 Hz (NEMA Size 4)	1	76-783-14			
	LINE STARTER, 230 Volt, 60 Hz (NEMA Size 4)	1	76-783-1			
	LINE STARTER, 460 Volt, 60 Hz (NEMA Size 3)	1	76-783-2			
	LINE STARTER, 575 Volt, 60 Hz (NEMA Size 3)	1	76-783-3			
	LINE STARTER, 200 Volt, 60 Hz (NEMA Size 5)	1		76-783-4		
	LINE STARTER, 230 Volt, 60 Hz (NEMA Size 4)	1		76-783-5		
	LINE STARTER, 460 Volt, 60 Hz. (NEMA Size 3)	1		76-783-6		
	LINE STARTER, 575 Volt, 60 Hz (NEMA Size 3)	1		76-783-13		
	LINE STARTER, 200 Volt, 60 Hz (NEMA Size 5)	1			76-783-7	
	LINE STARTER, 230 Volt, 60 Hz (NEMA Size 5)	1			76-783-8	
	LINE STARTER, 460 Volt, 60 Hz (NEMA Size 4)	1			76-783-9	
	LINE STARTER, 575 Volt, 60 Hz (NEMA Size 4)	1			76-783-10	
	NOTE: 40SS, 150PSI Operation Use 50SS Starters Above.					
	LINE STARTER, 200 Volt, 60 Hz (NEMA Size 5) 150 PSI	1		76-783-12		
	LINE STARTER, 230 Volt, 60 Hz (NEMA Size 5) 150 PSI	1		76-783-17		
	LINE STARTER, 460 Volt, 60 Hz (NEMA Size 4) 150 PSI	1		76-783-10		
	LINE STARTER, 230 Volt 60 Hz (NEMA Size 5) 150 PSI	1			76-783-11	
	LINE STARTER, 460 Volt, 60 Hz (NEMA Size 4) 150 PSI	1			76-783	

• Part number is same as in



GROUPS AND COMPONENTS

Group No. 28

SYSTEM RECEIVERS

MODEL

40SS
50SS
75SS

PART NUMBERS

40SS	50SS	75SS		
H69-593	H69-593	H69-593		

Ref.	Part Description	Qty.				
	RECEIVER, 125 Gallon	1	H69-593	•	•	
	RECEIVER, 235 Gallon	1	H69-593-1	•	•	
	RECEIVER, 400 Gallon	1	H69-593-4	•	•	

• Part number is same as in first column.



GROUPS AND COMPONENTS

LABELS AND DECALS
(INSTRUCTION AND
SAFETY)

Group No. 29

MODEL

40SS
50SS
75SS

PART NUMBERS

Ref.	Part Description	Qty.	PART NUMBERS			
			40SS	50SS	75SS	
			G62-597	G62-597	G62-597	
	LABEL, Operating and Liquid Capacity Instruction	1	62-597	•	•	
	LABEL, Lubrication Instruction	1	62-870	•	•	
	LABEL, High Temperature Shut-Down Instruction	1	62-559	•	•	
	LABEL, Low Oil Level Shut-Down Instruction	1	62-660	•	•	
	LABEL, Oil Drain Instruction	1	62-661	•	•	
	LABEL, Electrical Warning	2	62-598	•	•	
	DECAL, Rotation Direction	2	62-1010	•	•	
	DECAL, Rotation Direction "Arrow"	2	H62-404	•	•	
	LABEL, "Wired for 200 Volt"	1	H62-628	•	•	
	LABEL, "Wired for 230 Volt"	1	H62-628-1	•	•	
	LABEL, "Wired for 460 Volt"	1	H62-628-2	•	•	
	LABEL, "Wired for 575 Volt"	1	H62-628-3	•	•	
	PLATE, Location, "Oil Drain"	1	62-550	•	•	
	LABEL, Water Piping	1	62-740	•	•	
	DECAL, "Unit Must Be Grounded"	1	62-742	•	•	

• Part number is same as in first column.