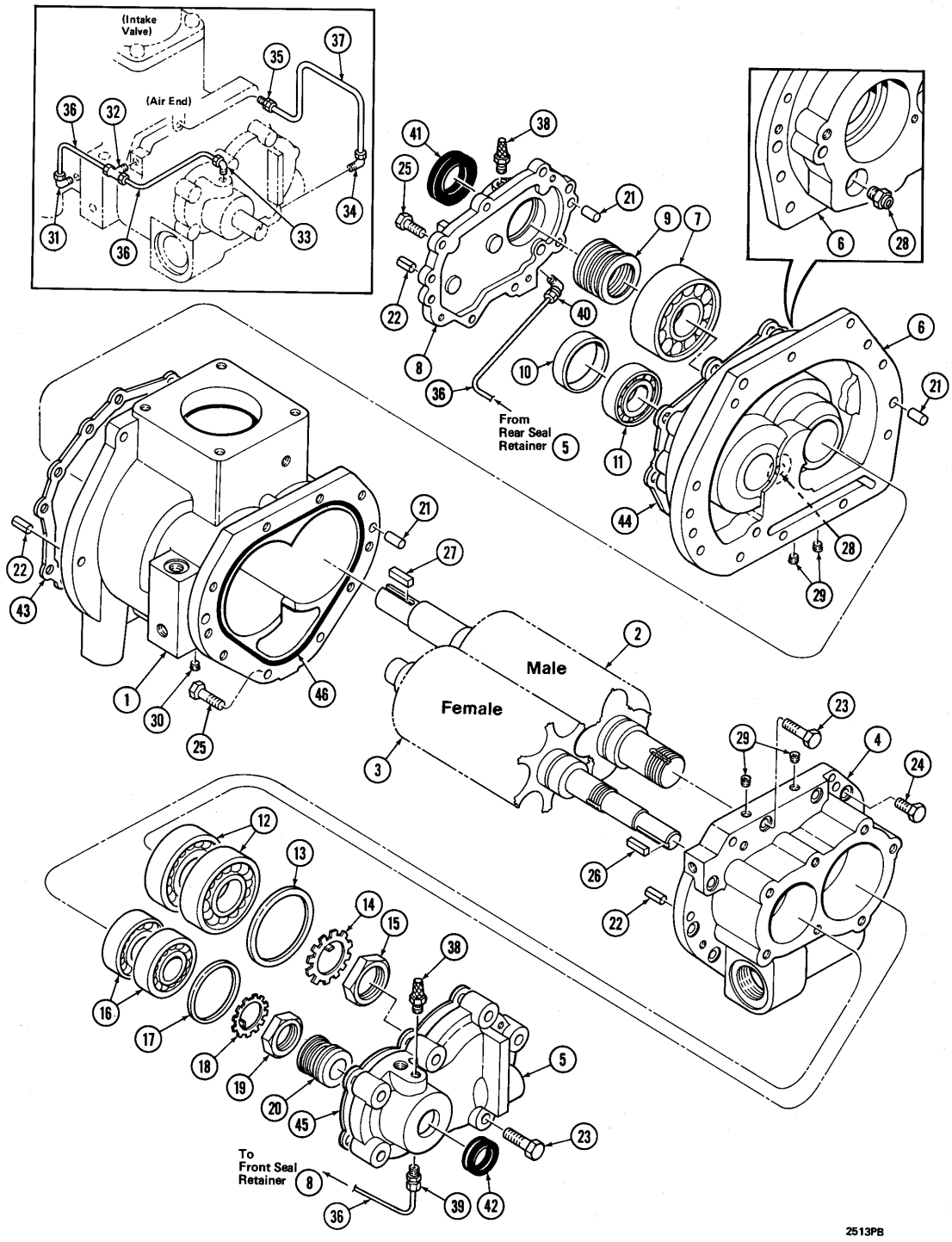


INDEX PARTS LIST

AUGUST 1990

4225x

GROUP NUMBER	GROUP NAME	GROUP NUMBER	GROUP NAME
1	AIR END		
2	AIR RECEIVER/OIL RESERVOIR - OIL PIPING – OIL FILTER		
3	AIR CLEANER – INTAKE VALVE		
4	OIL COOLER/AFTERCOOLER – FAN - FAN SHROUD		
5	CONTROLS – CONTROL PIPING – MODULATING CONTROL		
6	BEDPLATE – DRIVE – ELECTRIC MOTORS - BELTGUARD		
7	CONTROL ENCLOSURE – STARTERS		
8	AIR RECEIVER – MOISTURE SEPARATOR		
9	DELETE		
10	DECALS AND LABELS		
			<p>WHEN CONSULTING YOUR DISTRIBUTOR OR THE FACTORY CONCERNING YOUR COMPRESSOR OR WHEN ORDERING SERVICE LITERATURE OR SERVICE PARTS, ALWAYS FURNISH COMPLETE UNIT MODEL AND SERIAL NUMBER.</p> <p>NOTE: ILLUSTRATIONS USED IN THIS PARTS LIST ARE OF TYPICAL PARTS AND MAY DIFFER IN DETAIL.</p> <p>P/L 4225x</p>



25 13PB

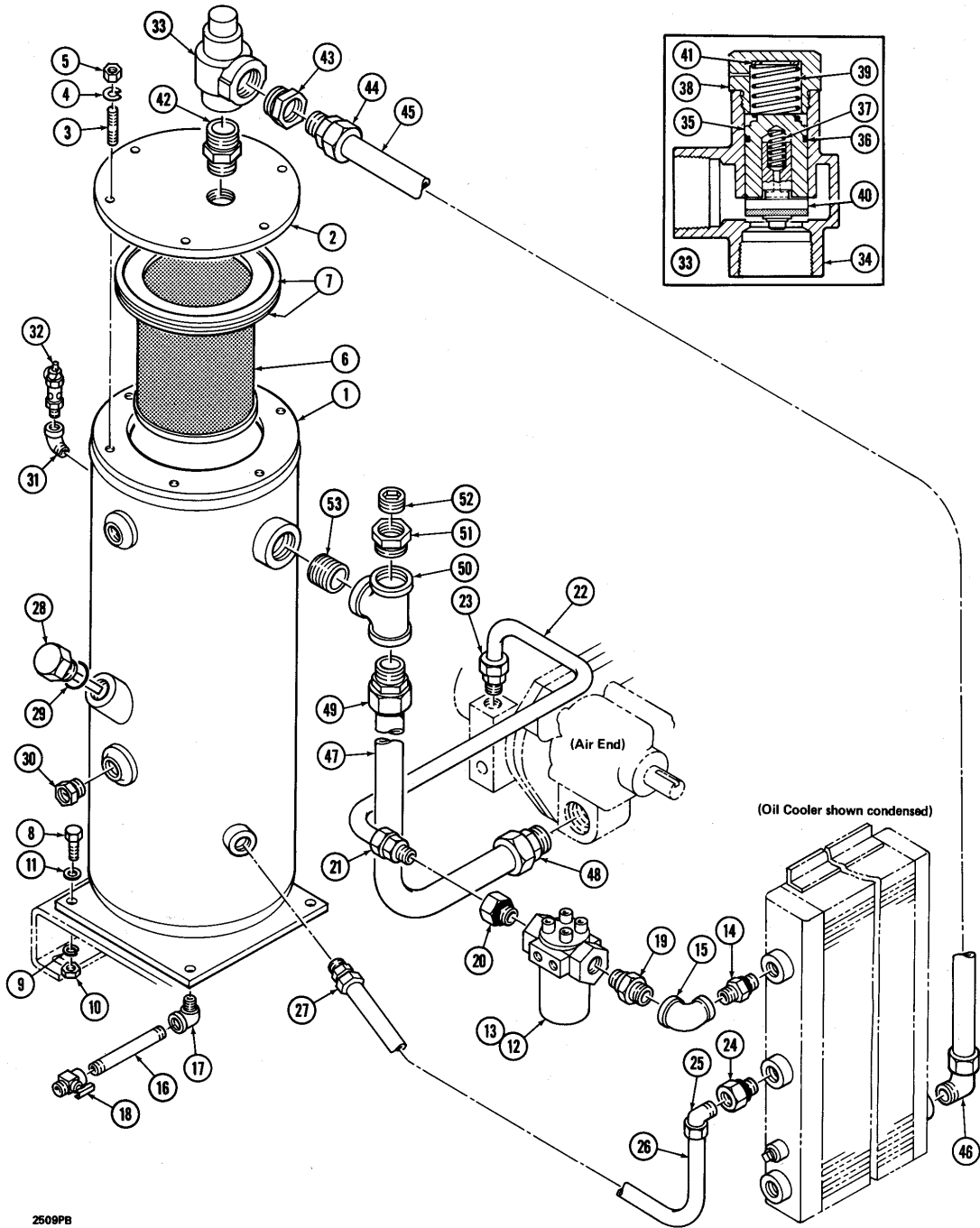
PARTS LIST GROUPS AND COMPONENTS

**MODEL
20-25-30SS**

PART NUMBERS

GROUP NO. 1 AIR END			STANDARD		
REF	PART DESCRIPTION	QTY	A219-134		
	AIR END SERVICE ASSEMBLY	1	1A219-134 Inc. A to B		
1	CYLINDER (NSS)	1	1-863-2—A		
2	ROTOR, MALE (NSS)	1	101-215		
3	ROTOR, FEMALE (NSS)	1	101-216		
4	RETAINER, REAR BEARING (NSS)	1	31-999		
5	COVER, REAR SEAL	1	14-1820-1		
6	RETAINER, FRONT BEARING (NSS)	1	31-1000-1		
7	BEARING, ROLLER (NSS)	1	181-599		
8	COVER, FRONT	1	14-1817-2		
9	SEAL, ROTARY	1	125-940		
10	SPACER, BEARING	1	22-1223		
11	BEARING, ROLLER (NSS)	1	181-600		
12	BEARING (NSS)	2	181-377		
13	RING, LOAD	1	64-312		
14	WASHER, LOCK	1	20-902		
15	NUT, LOCK	1	53-789		
16	BEARING (NSS)	2	181-602		
17	RING, LOAD	1	64-313		
18	WASHER, LOCK	1	20-902-2		
19	NUT, LOCK	1	53-789-2		
20	SEAL, ROTARY	1	125-924		
21	PIN, DOWEL	3	17-647		
22	PIN, ROLL	3	17-598-52		
23	SCREW, CAP	10	02-862		
24	SCREW, CAP	7	02-861		
25	SCREW, CAP	18	02-860		
26	KEY	1	09-116		
27	KEY	1	09-117		
28	VALVE, CHECK	1	15-1703-3		
29	PLUG, PIPE	5	19-202		
30	PLUG, PIPE	1	19-203		
31	FITTING	1	182-383		
32	FITTING	1	182-360		
33	FITTING	1	182-393		
34	FITTING	1	182-728		
35	FITTING	1	182-862		
36	TUBE	3	55-29		
37	TUBE	1	55-48-19		
38	VENT, BREATHER	2	49-94		
39	FITTING	1	H182-383		
40	FITTING	1	182-208		
41	SEAL	1	125-950-3		
42	SEAL	1	125-950-4		
43	GASKET	1	16-2097		
44	GASKET	1	16-2098		
45	GASKET	1	16-2099		
46	SEAL, O-RING	1	125-784-28—B		

(NSS) SERVICED SEPARATELY.



2509PB

PARTS LIST GROUPS AND COMPONENTS

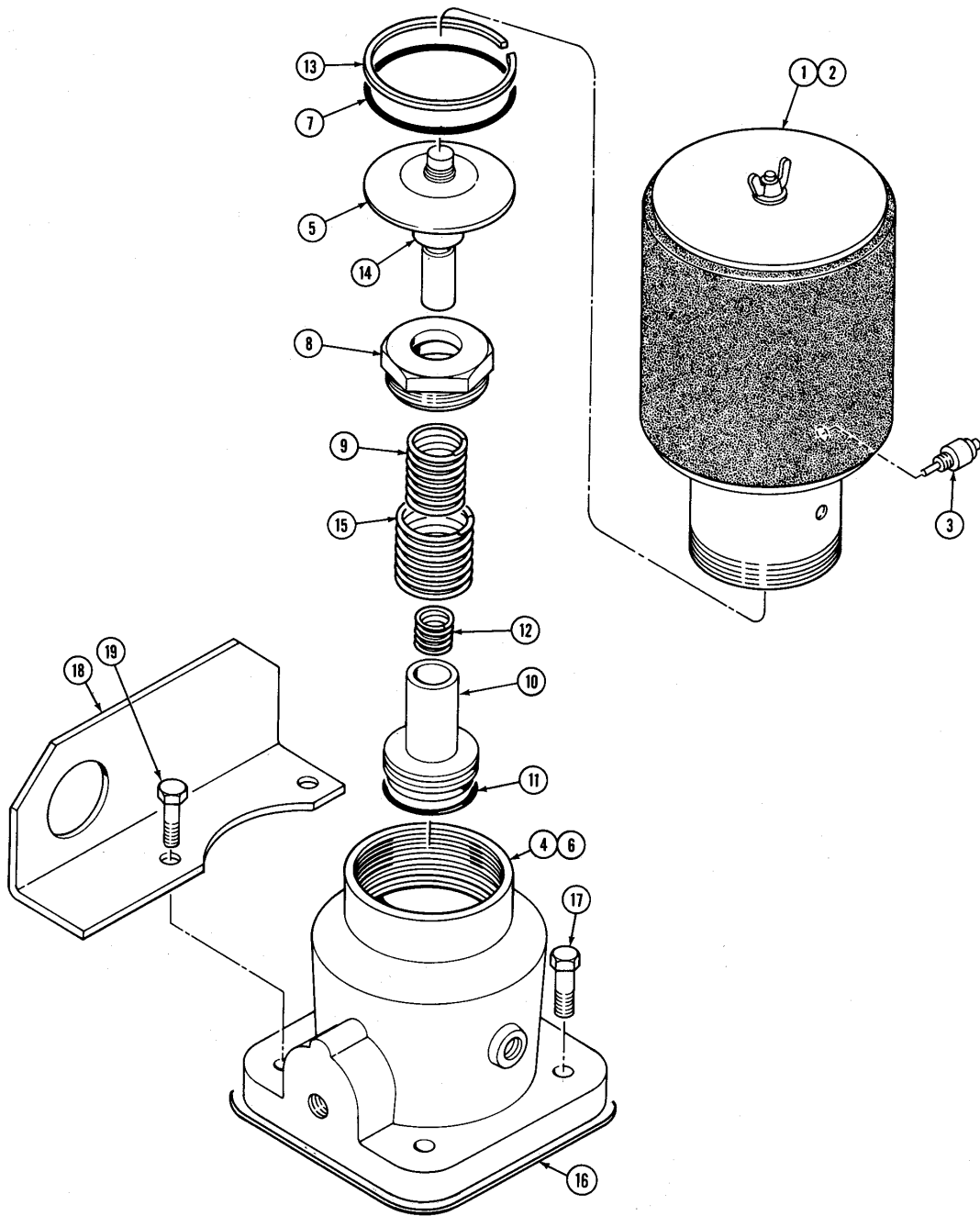
**MODEL
20-25-30SS**

PART NUMBERS

**GROUP NO. 2 AIR RECEIVER/OIL RESERVOIR -
OIL PIPING/OIL FILTER**

STANDARD

REF	PART DESCRIPTION	QTY	STANDARD
			G69-807-1
			G43-979
1	AIR RECEIVER-OIL RESERVOIR	1	A69-807-1 Inc. A to B
2	COVER	1	14-1772—A
3	STUD	6	105-585
4	WASHER, LOCK	6	05-51
5	NUT	6	53-788—B
6	ELEMENT, SEPARATOR	1	43-889-1 Inc. C
7	GASKET, ELEMENT	2	16-2049—C
8	SCREW, CAP	4	02-37
9	WASHER, LOCK	4	05-51
10	NUT	4	04-103
11	WASHER, FLAT	4	06-4
12	FILTER, OIL	1	43-979
13	ELEMENT, FILTER	1	43-880—D
14	FITTING	1	182-469-5
15	ELBOW, PIPE	1	013-456
16	NIPPLE, PIPE	1	013-76
17	FITTING	1	182-908
18	VALVE, DRAIN	1	15-338
19	FITTING	1	182-469-3
20	FITTING	1	182-958
21	FITTING	1	182-436-20
22	TUBE	1	55-1970
23	FITTING	1	182-436-21
24	FITTING	1	182-466-6
25	FITTING	1	182-435-3
26	TUBE	1	55-1972
27	FITTING	1	182-436-4
28	FITTING, PLUG	1	182-750-14 Inc. E
29	SEAL, PLUG	1	125-784-23—E
30	GAGE, SIGHT	1	60-428
31	ELBOW, PIPE	1	013-504
32	VALVE, PRESSURE RELIEF	1	15-1270-6
33	VALVE, MINIMUM PRESSURE CHECK	1	15-1667 Inc. F to G
34	BODY, VALVE	1	220-182-1—F
35	PISTON, LARGE	1	220-182-3
36	SEAL, O-RING	1	125-826-29
37	SPRING, SMALL	1	220-182-2
38	CAP	1	220-159-5
39	SPRING, LARGE	1	220-159-6
40	PISTON, ASSEMBLY	1	220-159-7
41	SPACER (SHIM)	3	06-69—G
42	FITTING	1	182-775-4
43	BUSHING, PIPE	1	013-1079
44	FITTING	1	182-436-5
45	TUBE	1	55-1971
46	FITTING	1	182-435-4
47	TUBE	1	55-2554
48	FITTING	1	182-436-15
49	FITTING	1	182-436-8
50	TEE, PIPE	1	013-1669
51	BUSHING, PIPE	1	013-1074
52	PLUG, PIPE	1	011-2
53	NIPPLE, PIPE	1	013-8C



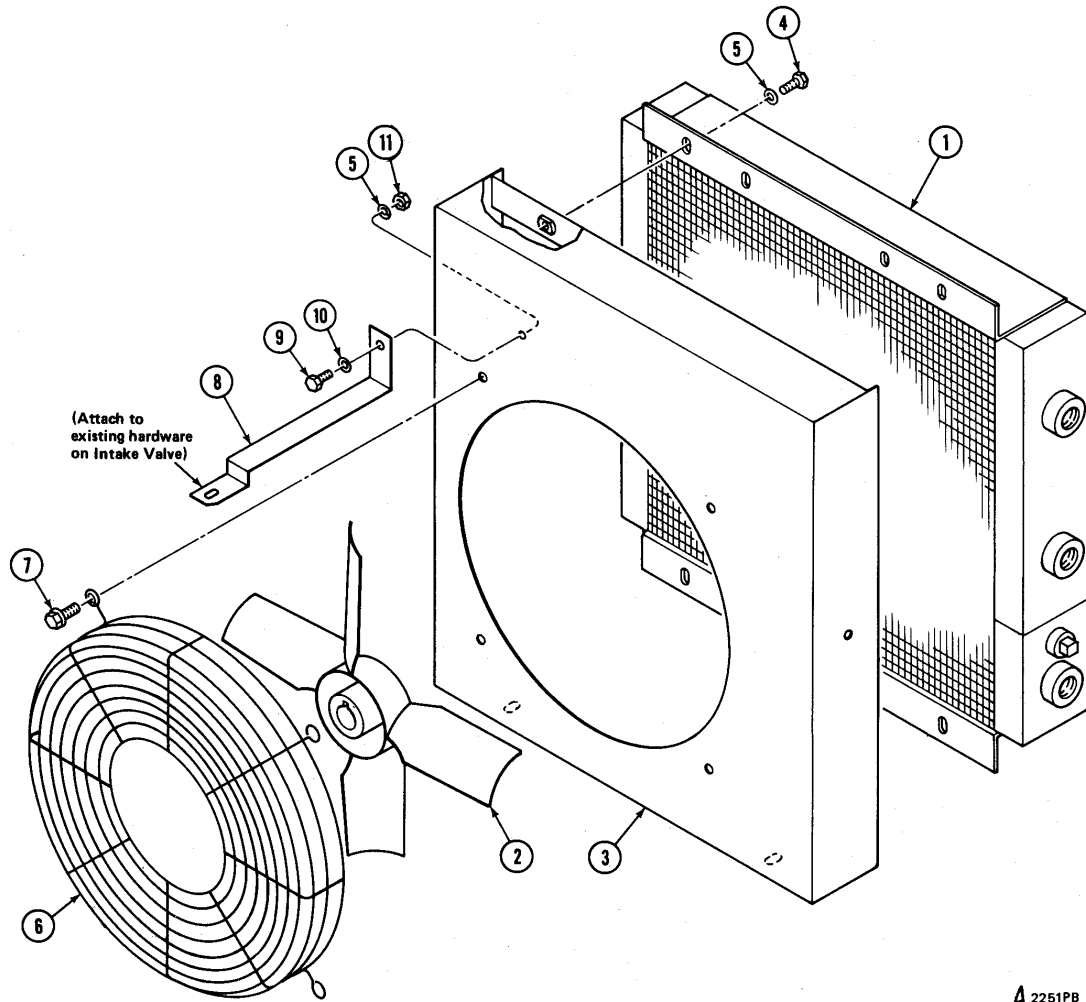
A2250PB

PARTS LIST GROUPS AND COMPONENTS

**MODEL
20-25-30SS**

PART NUMBERS

GROUP NO. 3 AIR CLEANER – INTAKE VALVE			STANDARD		
REF	PART DESCRIPTION	QTY			
		G43	827-1		
			9G116-427		
1	AIR CLEANER	1	43-827-1 Inc. A		
2	ELEMENT	1	43-763—A		
4	VALVE ASSEMBLY, INTAKE	1	116-427 Inc. B to C		
5	VALVE	1	220-260—B		
6	BODY	1	220-260-1		
7	SEAL, SPECIAL	1	220-260-2		
8	CAP	1	220-260-3		
9	SPRING (INNER)	1	220-260-4		
10	PISTON	1	220-260-5		
11	SEAL, O-RING	1	220-260-6		
12	SPRING	1	220-260-7		
13	RING, RETAINING	1	220-260-8		
14	SPACER	1	220-260-9		
15	SPRING (OUTER)	1	220-260-10—C		
16	GASKET	1	16-1851		
17	SCREW, CAP	2	02-37		
18	BALL, LIFTING	1	103-252		
19	SCREW, CAP	2	34-482		



A 2251PB

PARTS LIST GROUPS AND COMPONENTS

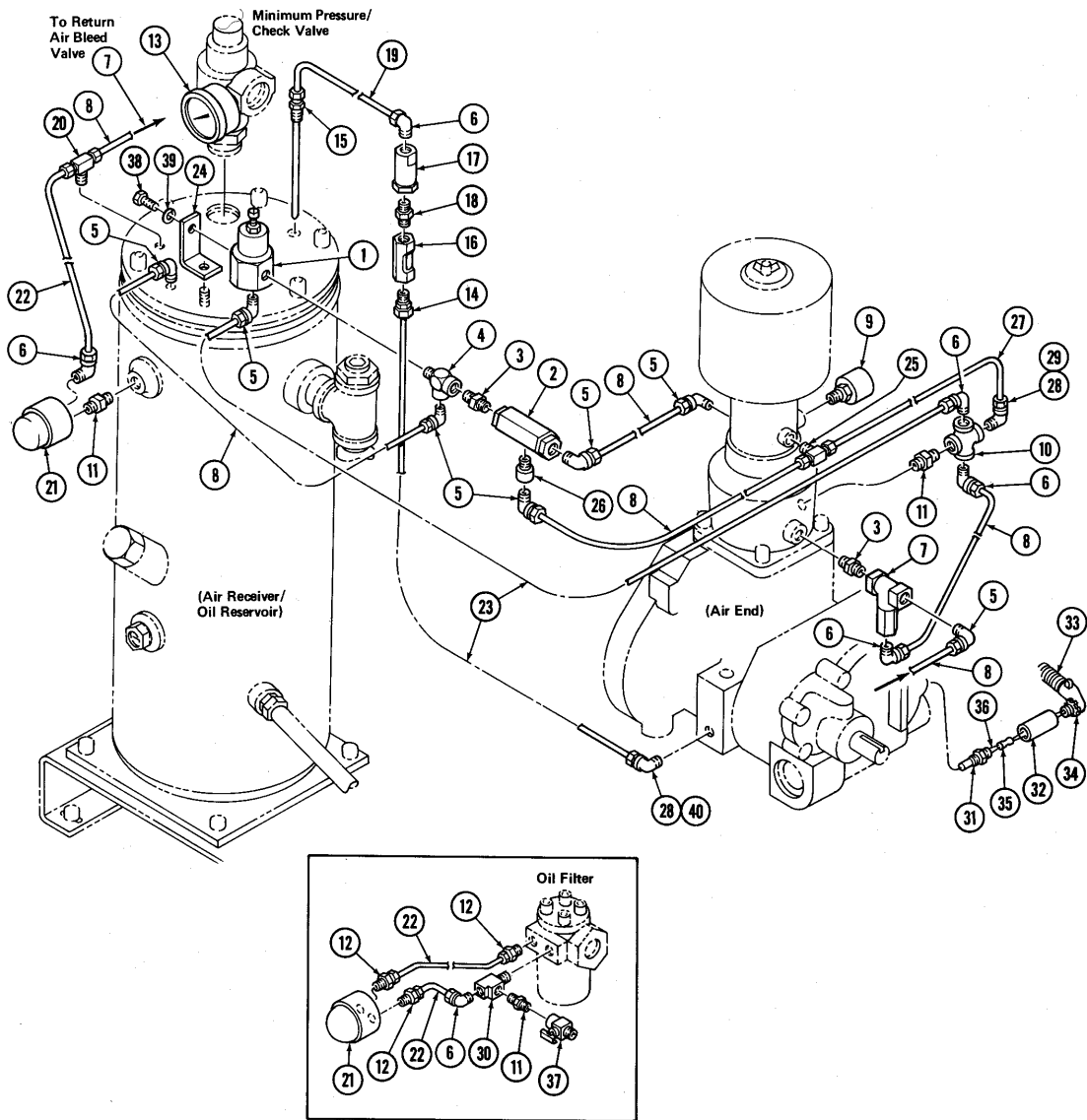
**MODEL
20-25-30SS**

PART NUMBERS

**GROU NO. 4 OIL COOLER/AFTERCOOLER -
FAN – FAN SHROUD**

STANDARD

REF	PART DESCRIPTION	QTY	G71-984		
1	OIL COOLER/AFTERCOOLER ASSEMBLY	1	71-984		
2	FAN	1	42-318		
3	SHROUD (COOLER MOUNT)	1	A201-323		
4	SCREW, CAP	4	02-34		
5	WASHER, LOCK	4	05-51		
6	GUARD, FAN	1	156-821		
7	SCREW, SPECIAL	4	H34-579-3		
8	SUPPORT	1	39-6789		
9	SCREW, SPECIAL	1	34-1448		
10	WASHER	1	06-4		
11	NUT	1	04-101		
5	WASHER, LOCK	1	05-5		



2510PB

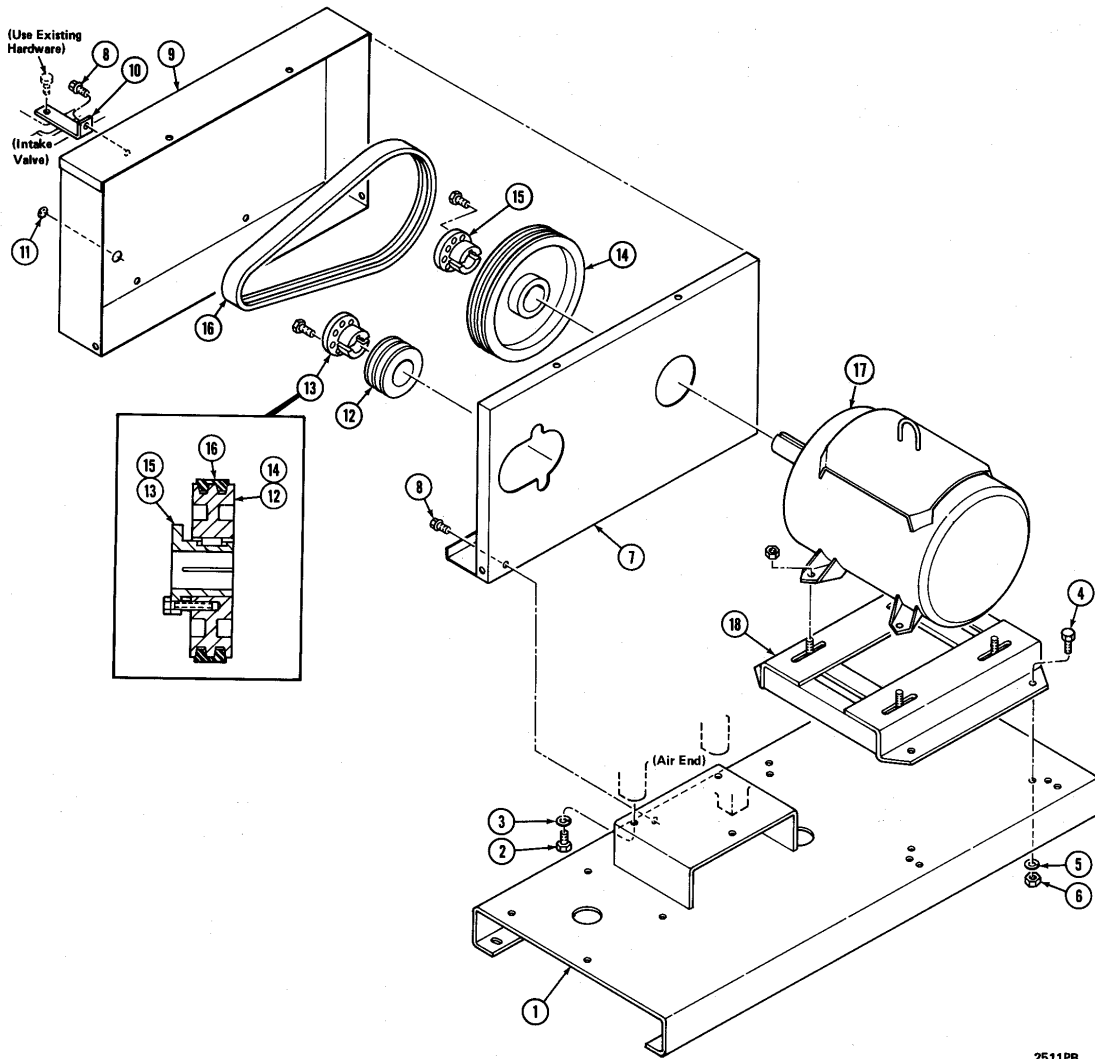
PARTS LIST GROUPS AND COMPONENTS

**MODEL
20-25-30SS**

PART NUMBERS

**GROUP NO. 5 CONTROLS – CONTROL PIPING -
MODULATING CONTROL**

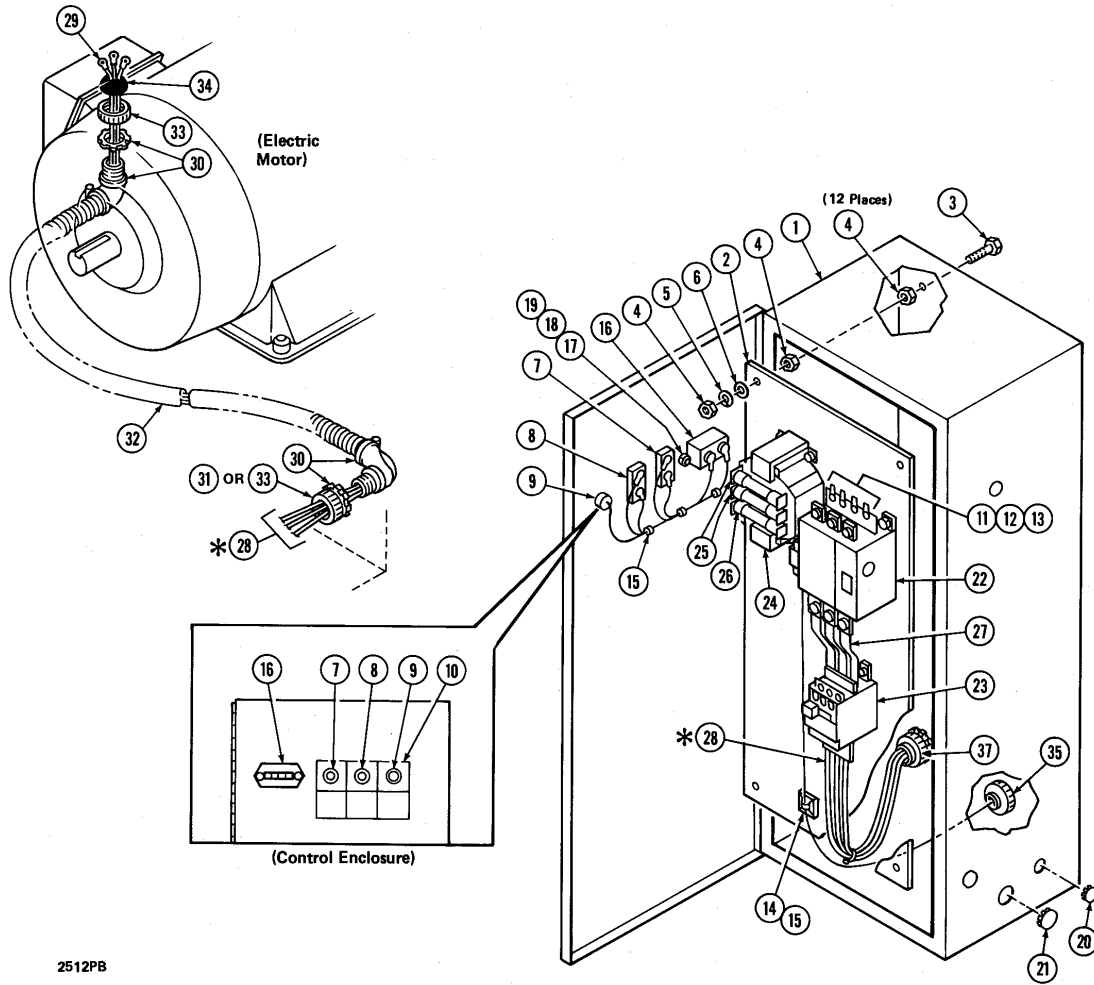
REF	PART DESCRIPTION	QTY	STANDARD	
			110G15-1580	111G15-1580
1	VALVE, CONTROL PRESSURE REGULATOR	1	15-1580 Inc. A & B	
	SEAT	1	220-153—A	
	DIAPHRAGM	1	220-153-1—B	
2	VALVE, BLOW DOWN	1	15-1717	
3	FITTING	2	182-906	
4	FITTING	1	182-849	
5	FITTING	7	H182-383	
6	FITTING	6	H182-393	
7	VALVE, RETURN AIR BLEED	1	15-1666	
8	TUBE	5	55-1654-1	
9	INDICATOR, RESTRICTION	1	60-345	
10	CROSS, PIPE	1	013-631	
11	FITTING	2	182-725	
12	FITTING	3	H182-358	
13	GAGE, PRESSURE	1	60-559	
14	FITTING	1	H182-382	
15	FITTING, SPECIAL	1	182-862-1	
16	GAGE, SIGHT	1	60-453	
17	FILTER, SEPARATOR DRAIN	1	43-721	
18	VALVE, CHECK	1	15-1703	
19	TUBE, SEPARATOR DRAIN	1	55-1632-7	
20	FITTING	1	182-817	
21	SWITCH, PRESSURE INDICATOR	2	76-1097	
22	TUBE	3	55-29-9	
23	TUBE	2	55-29-10	
24	BRACKET	1	39-6336	
25	FITTING	1	H182-360	
26	FITTING	1	182-813-2	
27	TUBE	1	55-29-27	
28	FITTING	1	182-210	
29	ORIFICE, CONTROL BLEED	1	206-8	
28	FITTING	1	182-210	
11	FITTING	1	182-725	
30	FITTING	1	182-182	
31	SWITCH, TEMPERATURE	1	76-940	
32	COUPLING, PIPE	1	013-704	
33	CONDUIT	AR	61-563	
34	FITTING, CONDUIT	2	H121-124	
35	TUBE, HEAT SHRINK	AR	55-2268	
36	WIRE	AR	61-888-1	
37	VALVE	1	15-338	
38	SCREW, CAP	1	02-36	
39	WASHER, LOCK	1	05-51	
125 and 150 PSI UNITS ONLY				
40	ORIFICE, DRAIN LINE	1	206-8-2	



2511PB

PARTS LIST GROUPS AND COMPONENTS

MODEL 20-25-30SS			PART NUMBERS		
GROUP NO. 6 BEDPLATE – DRIVE – ELECTRIC MOTORS - BELTGUARD			STANDARD		
REF	PART DESCRIPTION	QTY	G118-1159	G118-1159	G118-1159
			G36-1273 3G36-1273 6G36-1273	1G36-1273 4G36-1273 7G36-1273	2G36-1273 5G36-1273 8G36-1273
			20SS	25SS	30SS
1	BASE, WELDMENT, UNITS WITH MOTOR	1	A118-1159	A118-1159	A118-1159
2	SCREW, CAP	3	02-889	02-889	02-889
3	WASHER, LOCK	3	05-53	05-53	05-53
4	SCREW, CAP	4	02-70	02-70	02-70
5	WASHER, LOCK	4	05-53	05-53	05-53
6	NUT	4	04-105	04-105	04-105
7	GUARD, BELT	1	156-822-1	156-822-1	156-822-1
8	SCREW, SPECIAL	9	H34-579-2	H34-579-2	H34-579-2
9	COVER, GUARD	1	A156-823-1	A156-823-1	A156-823-1
10	BRACKET, GUARD	1	39-6971	39-6971	39-6971
11	PLUG, UNUSED HOLE	1	19-112-7	19-112-7	19-112-7
	DRIVE FOR 100 PSI OPERATION				
12	PULLEY (COMPRESSOR)	1	36-1273	36-1273	36-1273-1
13	BUSHING, PULLEY	1	21-1018-1	21-1018-1	21-1018-1
14	PULLEY (MOTOR)	1	36-1273-7	36-1273-8	36-1273-9
15	BUSHING, PULLEY	1	132-190	132-190-1	132-190-1
16	BELT, SET OF 2	1	41-603-8	41-603-9	41-603-11
	DRIVE FOR 125 PSI OPERATION				
12	PULLEY (COMPRESSOR)	1	36-1273-2	36-1273-2	36-1273-3
13	BUSHING, PULLEY	1	21-1018-1	21-1018-1	21-1018-1
14	PULLEY (MOTOR)	1	36-1273-7	36-1273-8	36-1273-9
15	BUSHING, PULLEY	1	132-190	132-190-1	132-190-1
16	BELT, SET OF 2	1	41-603-9	41-603-10	41-603-11
	DRIVE FOR 150 PSI OPERATION				
12	PULLEY (COMPRESSOR)	1	36-1273-3	36-1273-4	36-1273-5
13	BUSHING, PULLEY	1	21-1018-1	21-1018-1	21-1018-1
14	PULLEY (MOTOR)	1	36-1273-6	36-1273-8	36-1273-9
15	BUSHING, PULLEY	1	132-190	132-190-1	132-190-1
16	BELT, SET OF 2	1	41-603-8	41-603-9	41-603-11
	ELECTRIC MOTOR 200 VOLT				
17	MOTOR, O.D.P.	1	H107-697-24	H107-697-27	H107-697-30
	ELECTRIC MOTOR 230/460 VOLT				
17	MOTOR, O.D.P.	1	H107-697-25	H107-697-28	H107-697-31
	ELECTRIC MOTOR 575 VOLT				
17	MOTOR, O.D.P.	1	H107-697-26	H107-697-29	H107-697-32
18	BASE, MOTOR	1	118-1163	118-1163-1	118-1163-2



2512PB

PARTS LIST GROUPS AND COMPONENTS

**MODEL
20-25-30SS**

PART NUMBERS

GROUP NO. 7 CONTROL ENCLOSURE - STARTERS			STANDARD		
REF	PART DESCRIPTION	QTY	1G61-888-6	1G61-888-6	1G61-888-6
			1G61-888-8	1G61-888-8	G61-888-7
			G61-888-10	G61-888-10	G61-888-10
			A68-2122-2	A68-2122-2	A68-2122-2
			20SS	25SS	30SS
1	ENCLOSURE, CONTROL	1	68-2122-2	68-2122-2	68-2122-2
2	PANEL, SUB	1	68-3109	68-3109	68-3109
3	SCREW, CAP	4	02-21	02-21	02-21
4	NUT	12	04-102	04-102	04-102
5	WASHER, LOCK	4	05-50	05-50	05-50
6	WASHER, FLAT	12	06-3	06-3	06-3
7	BUTTON, SWITCH, "STOP"	1	76-1001-1	76-1001-1	76-1001-1
8	BUTTON, SWITCH, "START"	1	76-1001	76-1001	76-1001
9	LAMP	1	160-81	160-81	160-81
10	DECAL	1	62-1095	62-1095	62-1095
11	TERMINAL	6	121-99	121-99	121-99
12	TERMINAL	3	121-96	121-96	121-96
13	TERMINAL	1	121-173	121-173	121-173
14	CLAMP, WIRE	3	83-659-3	83-659-3	83-659-3
15	CLAMP, WIRE	15	83-659	83-659	83-659
16	GAGE, HOURMETER	1	60-575	60-575	60-575
17	SCREW, SPECIAL	2	03-58	03-58	03-58
18	WASHER, LOCK	2	05-23	05-23	05-23
19	NUT	2	04-9	04-9	04-9
20	PLUG, UNUSED HOLE	3	19-112-2	19-112-2	19-112-2
21	PLUG, UNUSED HOLE	1	19-112-14	19-112-14	19-112-14
	200 VOLT				
22	SWITCH, STARTER	1	76-1083-8	76-1083-9	76-1083-9
23	SWITCH, OVERLOAD	1	76-1083-36	76-1083-9	76-1083-9
24	TRANSFORMER	1	185-24-25	185-24-26	185-24-26
25	FUSE, PRIMARY	2	139-268	139-268-2	139-268-2
26	FUSE, SECONDARY	1	139-261-1	139-261-4	139-261-4
27	LUG KIT	1		76-1083-49	76-1083-49
28	WIRE, MOTOR FEED	AR	61-888-8	61-888-10	61-888-10
29	TERMINAL, WIRE	3	121-208-9	121-208-12	121-208-12
30	FITTING, CONDUIT	2	H188-14-1	121-123	121-123
31	BUSHING, WIRE PROTECTOR	1	188-74	188-74	188-74
32	CONDUIT, FLEXIBLE	AR	61-825	61-825	61-825
33	BUSHING, WIRE PROTECTOR	1	188-74-5	188-74-5	188-74-5
34	COMPOUND, SEALING	AR	125-888	125-888	125-888
	230 VOLT				
22	SWITCH, STARTER	1	76-1083-7	76-1083-8	76-1083-9
23	SWITCH, OVERLOAD	1	76-1083-36	76-1083-37	76-1083-9
24	TRANSFORMER	1	185-24-2	185-24-3	185-24-3
25	FUSE, PRIMARY	2	139-268	139-268-1	139-268-1
26	FUSE, SECONDARY	1	139-261-1	139-261-4	139-261-4
27	LUG KIT	1			76-1083-49
28	WIRE, MOTOR FEED	AR	61-888-8	61-888-8	61-888-10
29	TERMINAL, WIRE	3	121-208-9	121-208-12	121-208-12
30	FITTING, CONDUIT	2	188-114-1	121-123	121-123
32	CONDUIT, FLEXIBLE	AR	61-825	61-561	61-561
33	BUSHING, WIRE PROTECTOR	2	188-74-5	188-74-5	188-74-5
34	COMPOUND, SEALING	AR	125-888	125-888	125-888
	460 VOLT				
22	SWITCH, STARTER	1	76-1083-4	76-1083-5	76-1083-6
23	SWITCH, OVERLOAD	1	76-1083-34	76-1083-35	76-1083-35
24	TRANSFORMER	1	185-24-2	185-24-2	185-24-2
25	FUSE, PRIMARY	2	139-268-13	139-268-13	139-268-13
26	FUSE, SECONDARY	1	139-261-1	139-261-1	139-261-1

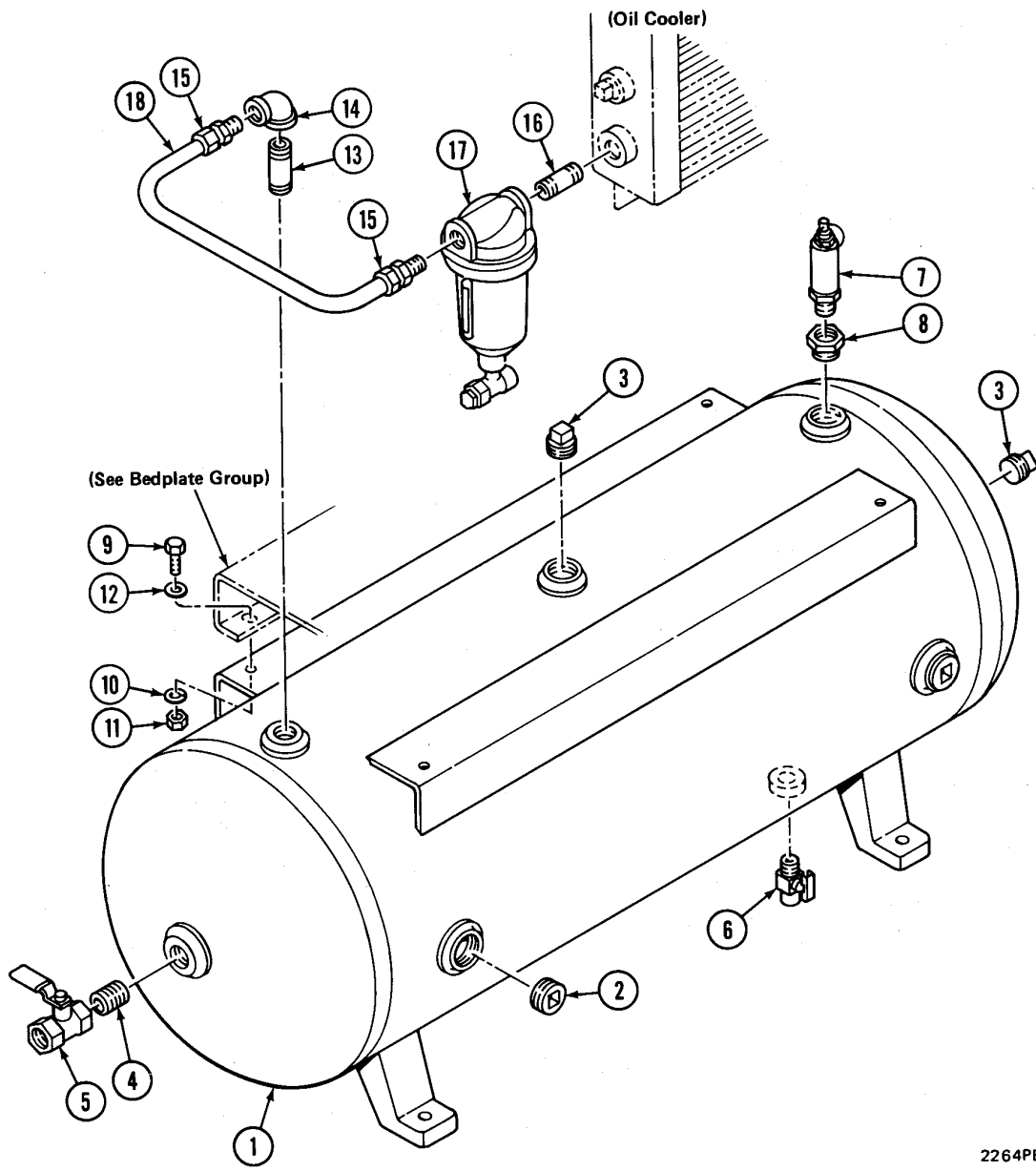
PARTS LIST GROUPS AND COMPONENTS

**MODEL
20-25-30SS**

PART NUMBERS

GROUP NO. 7 CONTROL ENCLOSURE - STARTERS			STANDARD		
REF	PART DESCRIPTION	QTY	1G61-888-6	1G61-888-6	1G61-888-6
			1G61-888-6	1G61-888-6	1G61-888-6
			1G61-888-8	1G61-888-8	G61-888-7
			G61-888-10	G61-888-10	G61-888-10
			A68-2122-2	A68-2122-2	A68-2122-2
			20SS	25SS	30SS
28	WIRE, MOTOR FEED	AR	61-888-6	61-888-6	61-888-7
29	TERMINAL	3	121-208-1	121-208-1	121-208-5
30	FITTING, CONDUIT	2	H121-136	H121-136	188-114-1
32	CONDUIT, FLEXIBLE	AR	H61-579	H61-579	61-825
33	BUSHING, WIRE PROTECTOR	2	188-74-5	188-74-5	188-74-5
34	COMPOUND, SEALING	AR	125-888	125-888	125-888
	575 VOLT				
22	SWITCH, STARTER	1	76-1083-3	76-1083-4	76-1083-5
23	SWITCH, OVERLOAD	1	76-1083-33	76-1083-34	76-1083-35
24	TRANSFORMER	1	185-24-13	185-24-13	185-24-13
25	FUSE, PRIMARY	1	139-268-13	139-268-13	139-268-13
26	FUSE, SECONDARY	2	139-261-1	139-261-1	139-261-1
28	WIRE, MOTOR FEED	AR	61-888-6	61-888-6	61-888-6
29	TERMINAL	3	121-208-1	121-208-1	121-208-1
30	FITTING, CONDUIT	2	H121-136	H121-136	H121-136
32	CONDUIT, FLEXIBLE	AR	H61-579	H61-579	H61-579
33	BUSHING, WIRE PROTECTOR	2	188-74-5	188-74-5	188-74-5
34	COMPOUND, SEALING	AR	125-888	125-888	125-888

THIS PAGE LEFT INTENTIONALLY BLANK.



2264PB

PARTS LIST GROUPS AND COMPONENTS

**MODEL
20-25-30SS**

PART NUMBERS

GROUP NO. 8 AIR RECEIVER – MOISTURE SEPARATOR

			STANDARD		
REF	PART DESCRIPTION	QTY	G69-833		
1	RECEIVER, AIR	1	69-833		
2	PLUG, PIPE	2	011-209		
3	PLUG, PIPE	2	011-207		
4	NIPPLE, PIPE	1	013-26		
5	VALVE, SERVICE	1	H15-1292-2		
6	VALVE, DRAIN	1	H15-689		
7	VALVE, PRESSURE RELIEF	1	15-1270-6		
8	BUSHING, PIPE	1	013-1077		
9	SCREW, CAP	4	02-71		
10	WASHER, LOCK	4	05-53		
11	NUT	4	04-105		
12	WASHER, FLAT	4	06-6		
13	NIPPLE, PIPE	1	013-173		
14	ELBOW, PIPE, REDUCER	1	013-463		
15	FITTING	2	182-436-5		
16	NIPPLE, PIPE	1	013-153		
17	FILTER, MOISTURE	1	43-932		
18	TUBE	1	55-2508-8		

THIS PAGE LEFT INTENTIONALLY BLANK.

PARTS LIST GROUPS AND COMPONENTS

**MODEL
20-25-30SS**

PART NUMBERS

GROUP NO. 10 DECALS AND LABELS

			STANDARD		
REF	PART DESCRIPTION	QTY	7G62-1180		
	DECAL, INSTRUCTIONS	1	62-1180		
	DECAL, AIR CLEANER	1	62-1135		
	DECAL, ROTATION	1	62-1125		
	DECAL, "LION"	1	62-1151		
	DECAL, LOW OIL	1	62-1108		
	DECAL, OIL FILLER	1	62-1109		
	DECAL, WORKING PRESSURE	1	62-1118		
	DECAL, "HIGH VOLTAGE"	1	62-1019		
	DECAL, "DISCONNECT POWER"	1	62-598		
	DECAL, GROUNDING INSTRUCTIONS	1	62-742		
	DECAL, "200 VOLT"	1	62-628		
	DECAL, "230 VOLT"	1	62-628-1		
	DECAL, "460 VOLT"	1	62-628-2		
	DECAL, "575 VOLT"	1	62-628-3		
	DECAL, WIRING DIAGRAM	1	62-1249		
	DECAL, WORKING PRESSURE	1	62-1118		
	DECAL, MODEL	1	62-1250		