



# INDEX to

MODEL

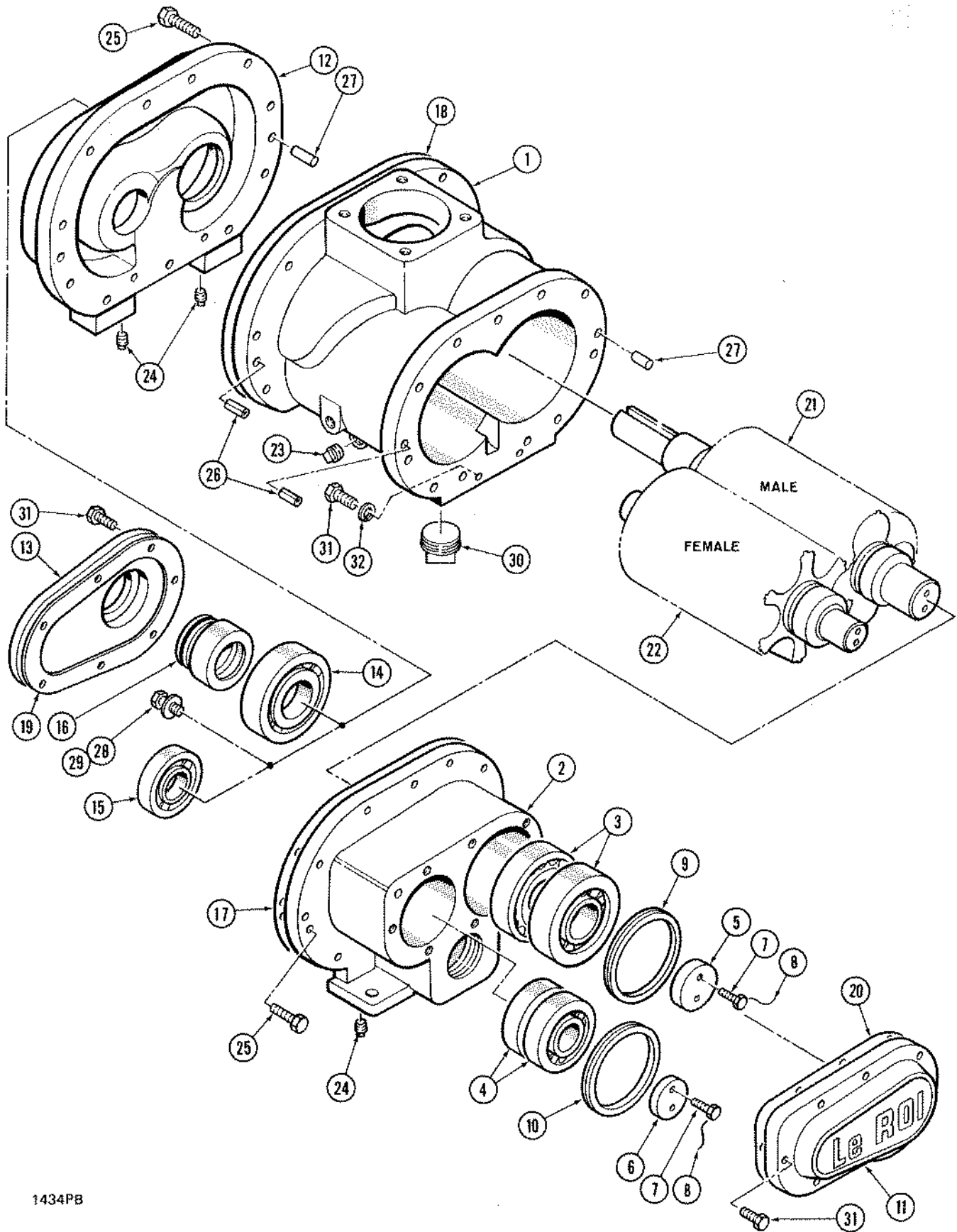
# COMPOSITE GROUPS

20-25-30SS T

FEBRUARY 1984

4079 x 4080 x 4081 x

GROUP NUMBER	GROUP NAME	GROUP NUMBER	GROUP NAME
1	AIR END		Supports 4078x 4079x 4080x and 4081x
2	AIR RECEIVER / OIL RESERVOIR - OIL SEPARATOR		
3	AIR CLEANER - INTAKE VALVE		WHEN CONSULTING YOUR DISTRIBUTOR OR THE FAC- TORY CONCERNING YOUR COMPRESSOR, OR WHEN ORDERING SERVICE LIT- ERATURE OR SERVICE PARTS, ALWAYS FURNISH COMPLETE UNIT MODEL NUMBER AND SERIAL NUMBER.
4	OIL COOLER - OIL FILTER PIPING		
5	CONTROLS - ELECTRICAL		
6	MOTOR MOUNTING - MOTORS - DRIVE - FAN		
7	FAN SHROUD - BELT GUARD		NOTE: ILLUSTRATIONS USED IN THIS PARTS LIST ARE OF TYPICAL PARTS AND MAY DIFFER IN DETAIL.
8	AFTERCOOLER - PIPING		
9	DECALS		





# GROUPS AND COMPONENTS

Group No. 1

AIR END

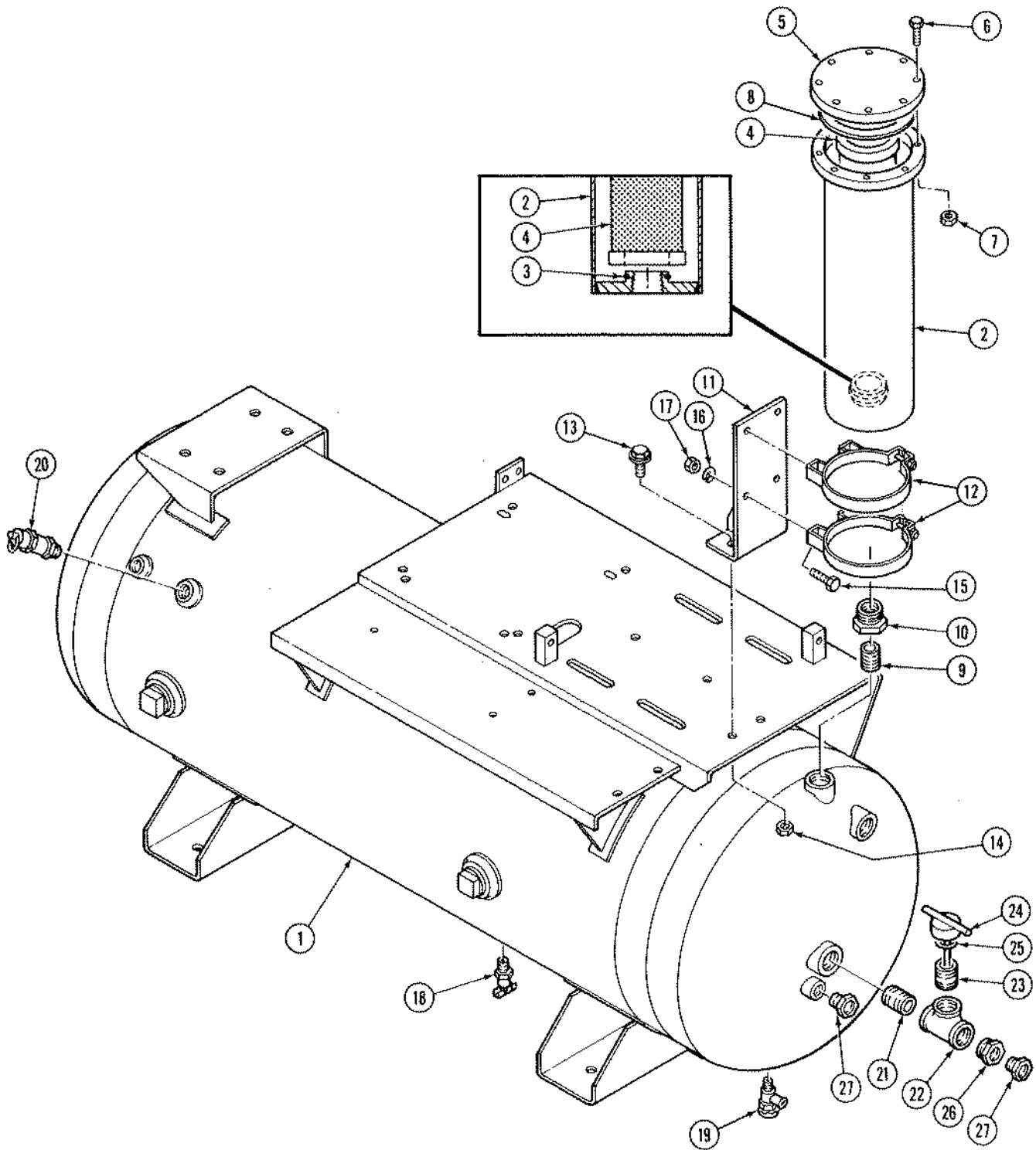
MODEL

20-25-30SST

## PART NUMBERS

Ref.	Part Description	Qty.	PART NUMBERS			
			STANDARD	STANDARD	STANDARD	
			A219-79	A219-79	A219-79	
			20SST	25SST	30SST	
1	SERVICE ASSEMBLY (Air End Only)	1	A219-79	•	•	
1	CYLINDER (NSS)	1	1-826	•	•	
2	RETAINER, Bearing, Rear (NSS)	1	31-805-1	•	•	
3	BEARING (NSS)	2	181-438	•	•	
4	BEARING (NSS)	2	181-440	•	•	
5	RETAINER, Bearing (NSS)	1	31-807	•	•	
6	RETAINER, Bearing (NSS)	1	31-808	•	•	
7	SCREW, Cap	4	34-841-2	•	•	
8	WIRE, Lock	1	61-5	•	•	
9	RING, Load (NSS)	1	64-296	•	•	
10	RING, Load (NSS)	1	64-297	•	•	
11	COVER, Rear Bearing	1	14-1545-1	•	•	
12	RETAINER, Bearing (NSS)	1	31-806-1	•	•	
13	COVER, Front	1	14-1544-1	•	•	
14	BEARING, Roller (NSS)	1	181-437	•	•	
15	BEARING, Roller (NSS)	1	181-439	•	•	
16	SEAL, Rotary	1	125-693-1	•	•	
17	GASKET	1	16-1886	•	•	
18	GASKET	1	16-1887	•	•	
19	GASKET	1	16-1888	•	•	
20	GASKET	1	16-1889	•	•	
21	ROTOR, Male (NSS)	1	101-163	•	•	
22	ROTOR, Female (NSS)	1	101-164	•	•	
23	PLUG, Pipe	1	011-3	•	•	
24	PLUG, Pipe	4	19-202	•	•	
25	SCREW, Cap	20	02-37	•	•	
26	PIN, Roll	2	17-598-52	•	•	
27	PIN, Dowel	2	17-647	•	•	
28	SCREW, Cap	2	34-841-8	•	•	
29	WASHER, Flat	2	06-5	•	•	
30	PLUG, Pipe	1	011-207	•	•	
31	SCREW, Cap	16	02-36	•	•	
32	WASHER, Lock	2	05-81	•	•	

• Part number is same as in first column





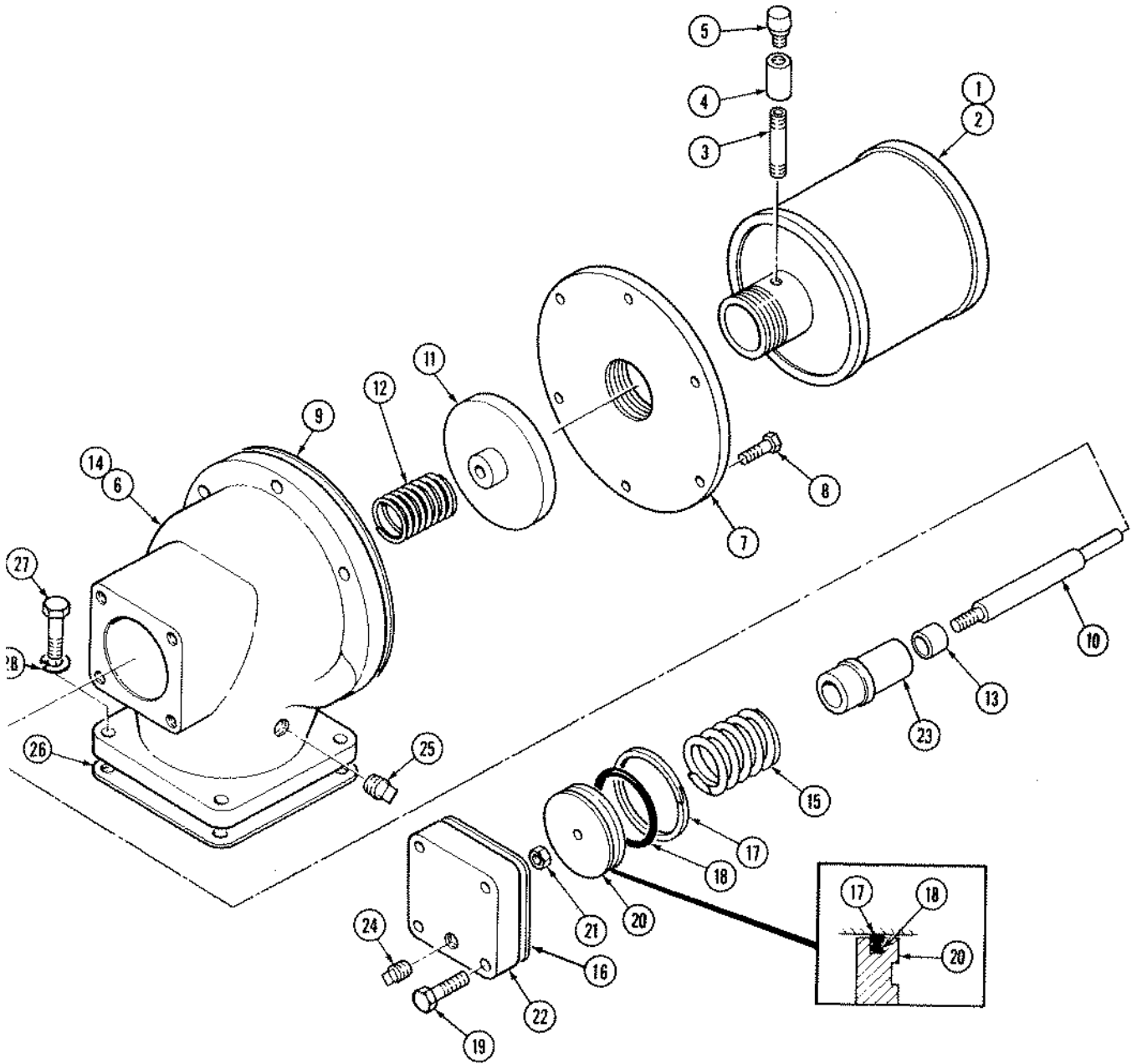
**GROUPS AND COMPONENTS** AIR RECEIVER/OIL RESERVOIR -  
OIL SEPARATOR

Group No. 2

**MODEL**  
20-25-30SST

			PART NUMBERS				
			STANDARD	STANDARD	STANDARD		
			G69-774 2G15-1284	G69-774 2G15-1284	G69-774 2G15-1284		
			20SS T	25SS T	30SST		
Ref.	Part Description	Qty.					
1	AIR RECEIVER/OIL RESERVOIR	1	1A69-774	●	●		
2	SEPARATOR, Oil	1	A69-773	●	●		
	SEPARATOR	1	Inc. A to B	Inc. A to B	Inc. A to B		
5	COVER	1	69-733--A	●--A	●--A		
6	SCREW, Cap	8	14-1687	●	●		
7	NUT	8	34-1220-7	●	●		
8	GASKET	8	53-778	●	●		
3	SEAL, O-Ring	1	16-1989--B	●--B	●--B		
4	ELEMENT, Separator	1	125-826-8	●	●		
9	NIPPLE, Pipe Special	1	43-834	●	●		
10	BUSHING, Pipe	1	M33-1017	●	●		
		1	013-1085	●	●		
11	SUPPORT, Oil Separator	1	A39-5907	●	●		
12	CLAMP, Mounting	2	83-607	●	●		
13	SCREW, Cap	2	34-1474	●	●		
14	NUT	2	04-103	●	●		
15	SCREW, Cap	4	02-18	●	●		
16	WASHER, Lock	4	05-50	●	●		
17	NUT	4	04-102	●	●		
18	VALVE, Drain, Receiver	1	H15-839	●	●		
19	VALVE, Drain, Oil Reservoir	1	H15-1444	●	●		
	ELBOW, Pipe	1	013-503	●	●		
20	VALVE, Pressure Relief	2	15-1270-1	●	●		
21	NIPPLE, Pipe	1	013-8	●	●		
22	TEE, Pipe	1	013-608	●	●		
23	NECK, Filler	1	33-798	●	●		
24	CAP, Filler	1	8A4-268	●	●		
25	GASKET, Filler Cap	1	16-1352	●	●		
26	BUSHING, Pipe	1	013-1083	●	●		
27	GAGE, Oil Level Sight	2	60-428	●	●		
	DRAINER, Cyclic (Optional)	1	H15-1284	●	●		
	TEE, Pipe 1/2	1	013-604	●	●		
	NIPPLE, Pipe, 6"	1	013-97	●	●		
	BUSHING, Reducer	1	013-1066	●	●		
	NIPPLE, Pipe	1	013-3	●	●		
	UNION, Pipe	1	013-903	●	●		

● Part number is same as in first column.





# GROUPS AND COMPONENTS

Group No. 3

AIR CLEANER-INTAKE VALVE

MODEL

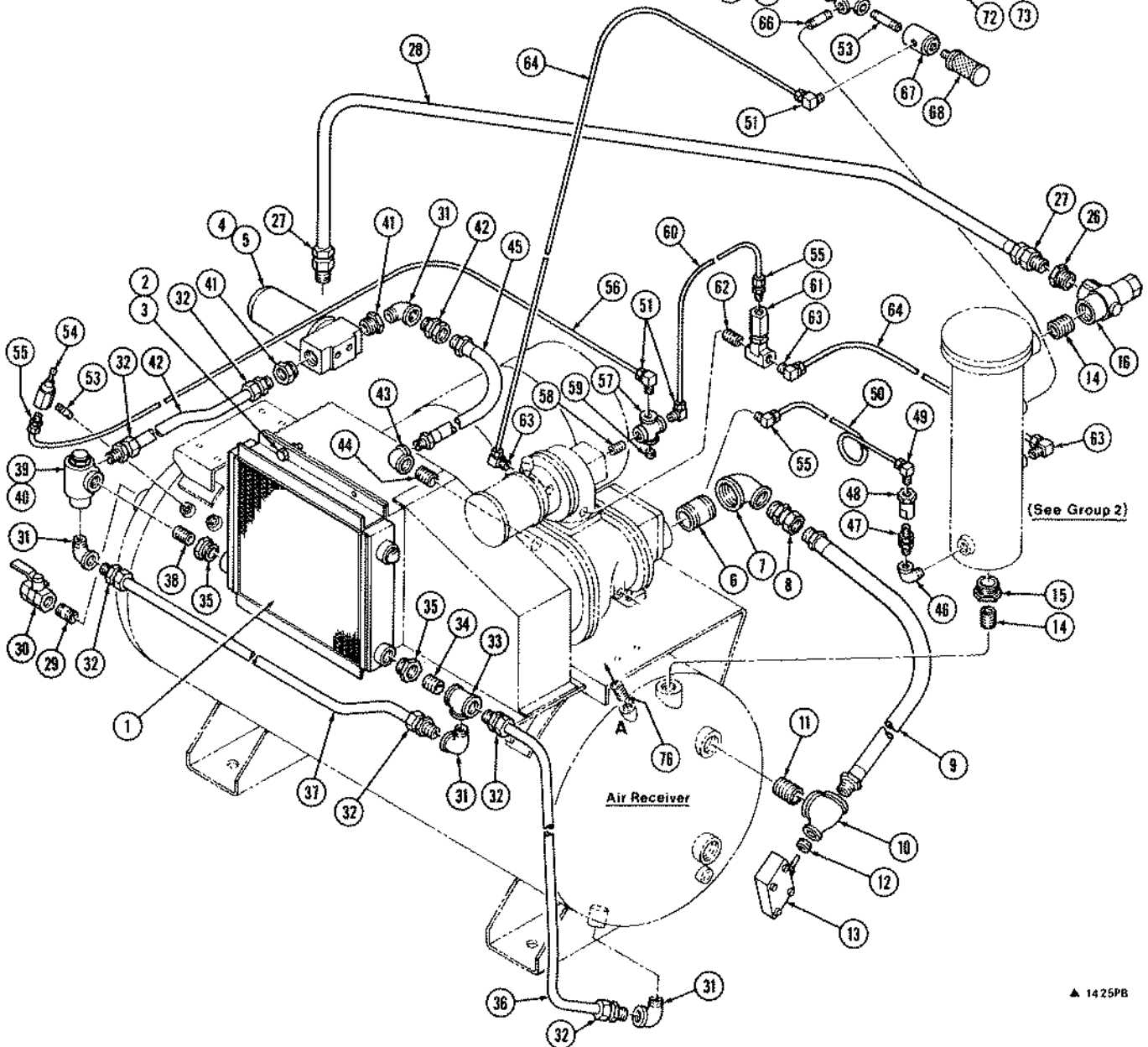
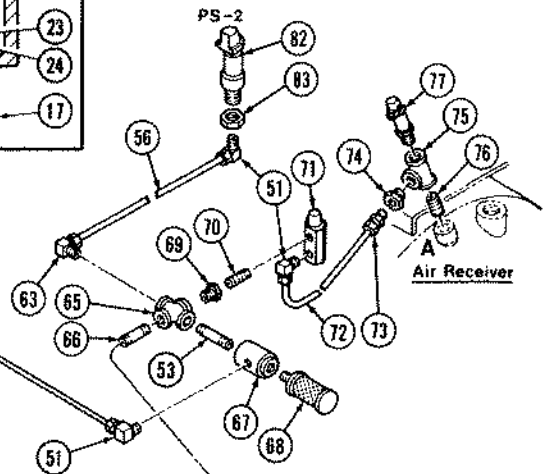
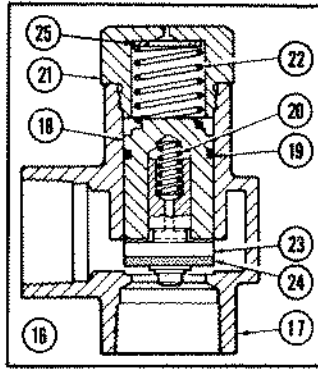
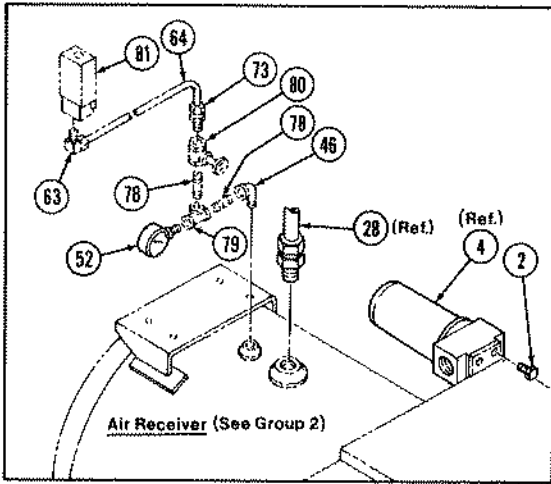
20-25-30SST

## PART NUMBERS

STANDARD	STANDARD	STANDARD		
1G43-827 1G116-407	1G43-827 1G116-407	1G43-827 1G116-407		

Ref.	Part Description	Qty.	PART NUMBERS		
			20SST	25SST	30SST
1	AIR CLEANER	1	43-827 Inc. A	● Inc. A	● Inc. A
2	ELEMENT, Air Cleaner	1	43-763--A	●--A	●--A
3	NIPPLE, Pipe	1	013-51	●	●
4	COUPLING, Pipe	1	013-701	●	●
5	INDICATOR, Restriction	1	60-345	●	●
	BUSHING, Pipe Reducer	1	013-1092	●	●
6	INTAKE VALVE ASSEMBLY	1	1A116-407 Inc. B to C	● Inc. B to C	● Inc. B to C
7	FLANGE, Intake	1	54-801--B	●--B	●--B
8	SCREW, Cap	6	02-36	●	●
9	GASKET	1	16-1892	●	●
10	SHAFT, Piston	1	27-1811	●	●
11	VALVE	1	15-1596	●	●
12	SPRING	1	24-752	●	●
13	BUSHING	1	21-781	●	●
14	BODY, Valve	1	116-405-1	●	●
15	SPRING	1	24-753	●	●
16	GASKET	1	16-1893	●	●
17	RING, Piston	1	18-585	●	●
18	O-RING, (Expander)	1	125-695	●	●
19	SCREW, Cap	4	02-38	●	●
20	PISTON	1	8-808	●	●
21	NUT, Special	1	53-380	●	●
22	RETAINER, Piston	1	31-812	●	●
23	BUSHING	1	21-993	●	●
24	PLUG, Pipe	1	011-1	●	●
25	PLUG, Pipe	2	011-2--C	●--C	●--C
26	GASKET, Valve to Air End	1	16-1894	●	●
27	SCREW, Cap	4	02-36	●	●
28	WASHER, Lock	4	05-51	●	●

● Part number is same as in first column.





**GROUPS AND COMPONENTS** OIL COOLER - OIL FILTER - PIPING

Group No. 4

MODEL  
20-25-30SST

Ref.	Part Description	Qty.	PART NUMBERS		
			STANDARD	STANDARD	STANDARD
			G71-883 G43-837	G71-883 G43-837	G71-883 G43-837
			20SST	25SST	30SST
1	COOLER, Oil	1	71-883	●	●
2	SCREW, Cap	4	34-1474	●	●
3	NUT	4	04-103	●	●
4	FILTER, Oil	1	43-837	●	●
5	ELEMENT, Filter	1	Inc. A	Inc. A	Inc. A
2	SCREW, Cap	2	43-837-1--A	●--A	●--A
			34-1474	●	●
6	NIPPLE, Pipe, Reducing	1	013-212	●	●
7	ELBOW, Pipe	1	013-467	●	●
8	FITTING	1	182-465-2	●	●
9	HOSE	1	73-746-10	●	●
10	TEE, Pipe, Reducing	1	013-1642	●	●
11	NIPPLE, Pipe	1	013-7E	●	●
12	BUSHING, Face	1	33-823-3	●	●
13	SWITCH, High Temperature Shut Down	1	76-700	●	●
14	NIPPLE, Pipe, Special	1	M33-1017	●	●
15	BUSHING, Pipe	1	013-1085	●	●
14	NIPPLE, Pipe, Special	1	M33-1017	●	●
16	VALVE, Minimum Pressure/Check	1	15-1667	●	●
17	BODY, Valve	1	Inc. B to C	Inc. B to C	Inc. B to C
18	PISTON	1	220-182-1--B	●--B	●--B
19	O-RING	1	220-182-3	●	●
20	SPRING, Small	1	125-826-29	●	●
			220-182-2	●	●
21	CAP	1	220-159-5	●	●
22	SPRING, Large	1	220-159-6	●	●
23	PISTON ASSEMBLY	1	220-159-7	●	●
24	SEAT	1	220-159-8	●	●
25	SPACER	3	06-69--C	●--C	●--C
26	BUSHING, Pipe	1	013-1079	●	●
27	FITTING	2	182-436-5	●	●
28	TUBE	1	55-2384	●	●
29	NIPPLE, Pipe	1	013-6A	●	●
30	VALVE, Service	1	H15-1292-2	●	●
31	ELBOW, Pipe	1	013-505	●	●
32	FITTING	2	182-283	●	●
33	TEE, Pipe	1	013-605	●	●
34	NIPPLE, Pipe	2	013-5D	●	●
	UNION, Pipe	1	013-905	●	●
35	BUSHING, Pipe	1	013-1073	●	●
36	TUBE	1	55-2383	●	●
31	ELBOW, Pipe	2	013-505	●	●
32	FITTING	2	182-283	●	●
37	TUBE	1	55-2381	●	●
35	BUSHING, Pipe	1	013-1073	●	●
38	NIPPLE, Pipe	1	013-5B	●	●
39	BODY, Thermal Valve	1	116-281-2	●	●
40	ELEMENT, Thermal Valve	1	116-255	●	●
32	FITTING	2	182-283	●	●
41	BUSHING, Pipe	1	013-1078	●	●
42	TUBE	1	55-2382	●	●
41	BUSHING, Pipe	1	013-1078	●	●
31	ELBOW, Pipe	1	013-505	●	●

Continued on next page.

● Part number is same as in first column.



# GROUPS AND COMPONENTS OIL COOLER - OIL FILTER -

Group No. 4

PIPING

MODEL

20-25-30SST

PART NUMBERS

STANDARD	STANDARD	STANDARD	
G71-883	G71-883	G71-883	
G43-837	G43-837	G43-837	

Continued from previous page.

Ref.	Part Description	Qty.	20SST	25SST	30SST
42	FITTING	1	182-282	●	●
43	ELBOW, Pipe	1	013-405	●	●
44	NIPPLE, Pipe	1	013-132	●	●
45	HOSE	1	73-368	●	●
46	ELBOW, Pipe	1	013-502	●	●
47	VALVE, Check, Drain Line	1	15-1703	●	●
48	FILTER, Drain Line	1	43-721	●	●
49	FITTING, Orifice	1	A182-729-2	●	●
50	TUBE	1	55-29-62	●	●
55	FITTING	1	H182-358	●	●
	NIPPLE, Pipe	1	013-5	●	●
	ELBOW, Pipe	1	013-401	●	●
46	ELBOW, Pipe	1	013-502	●	●
52	GAGE, Air Pressure	1	H60-351	●	●
53	NIPPLE, Pipe	1	013-2A	●	●
54	VALVE, Control Pressure Regulator	1	15-1580	●	●
	DIAPHRAGM	1	220-153-1	●	●
	SEAT	1	220-153	●	●
55	FITTING	1	H182-358	●	●
56	TUBE	1	55-1654	●	●
51	FITTING	1	H182-393	●	●
57	CROSS, Pipe	1	013-631	●	●
58	NIPPLE, Pipe	1	013-1	●	●
59	ORIFICE, Control Bleed	1	54-416-11	●	●
51	FITTING	1	H182-393	●	●
60	TUBE	1	55-1654-2	●	●
55	FITTING	1	H182-358	●	●
61	VALVE, Bleed Back	1	15-1666	●	●
62	NIPPLE, Pipe	1	013-72	●	●
63	FITTING	1	H182-383	●	●
64	TUBE	1	55-1654-2	●	●
63	FITTING	1	H182-383	●	●
51	FITTING	1	H182-393	●	●
56	TUBE	1	55-1654	●	●
63	FITTING	1	H182-383	●	●
65	CROSS, Pipe	1	013-632	●	●
66	NIPPLE, Pipe	1	013-71	●	●
53	NIPPLE, Pipe	1	013-2A	●	●
67	VALVE, Blow Down	1	15-1643	●	●
68	MUFFLER	1	78-246	●	●
51	FITTING	1	H182-393	●	●
64	TUBE	1	55-1654-2	●	●
63	FITTING	1	H182-383	●	●
69	BUSHING, Pipe (Optional)	1	013-1061	●	●
70	NIPPLE, Pipe (Optional)	1	013-21	●	●
69	PLUG, Pipe (Std.)	1	011-2	●	●
71	INDICATOR, Restriction (Optional)	1	43-577	●	●
51	FITTING (Optional)	1	H182-393	●	●
72	TUBE (Optional)	1	55-29-65	●	●
73	FITTING (Optional)	1	H182-382	●	●
74	BUSHING, Pipe (Optional)	1	013-1065	●	●
75	TEE, Pipe (Optional)	1	013-604	●	●
76	NIPPLE, Pipe (Optional)	1	013-4A	●	●
77	VALVE, Pressure Relief	2	Group 2	Group 2	Group 2

Continued on next page.

● Part number is same as in first column.



**GROUPS AND COMPONENTS** OIL COOLER - OIL FILTER - PIPING

Group No. 4

MODEL

20-25-30SST

**PART NUMBERS**

Continued from previous page.

Ref.	Part Description	Qty.	PART NUMBERS				
			STANDARD	STANDARD	STANDARD		
			G71-883 G43-837	G71-883 G43-837	G71-883 G43-837		
			20SST	25SST	30SST		
	OPTIONAL PRESSURE SWITCH						
78	NIPPLE, Pipe	2	013-22	•	•		
79	TEE, Pipe	1	013-602	•	•		
80	VALVE, Shut Off	1	H15-1443	•	•		
73	FITTING	1	H182-382	•	•		
64	TUBE	1	55-1654-2	•	•		
63	FITTING	1	H182-383	•	•		
81	SWITCH, Pressure	1	76-911	•	•		
82	SWITCH, (PS-2)	1	76-845	•	•		
83	NUT	1	NPN	•	•		

NPN - No Part Number

• Part number is same as in first column.





# GROUPS AND COMPONENTS

Group No. 5

CONTROLS - ELECTRICAL

MODEL

20-25-30SST

## PART NUMBERS

STANDARD	STANDARD	STANDARD		
2G76-911 G76-691-2	2G76-911 G76-691-2	2G76-911 G76-691-2		
20SST	25SST	30SST		

Ref.	Part Description	Qty.	20SST	25SST	30SST		
1	ENCLOSURE ASSEMBLY (200V)	1	76-949 Inc. A to B	76-949-4 Inc. A to B	76-949-6 Inc. A to B		
2	TRANSFORMER, Control Voltage	1	185-18-1--A	●--A	●--A		
3	STARTER, Magnetic (200V)	1	76-948	76-948-3	76-948-5		
4	ENCLOSURE (200V)	1	68-1693-3	68-1829-1	68-1829-1		
5	PANEL, Sub, Starter Mounting (200V)	1	68-1693-4	68-1829-2	68-1829-2		
6	PANEL, Instrument (Decal)	1	62-978	●	●		
7	SWITCH, Pressure (PS-2)	1	76-845	●	●		
8	BLOCK, Fuse	1	139-247	●	●		
9	FUSE	1	139-244	●	●		
10	HOURMETER	1	60-457	●	●		
11	SWITCH	1	76-902	●	●		
12	LAMP, Signal	2	160-81	●	●		
13	SWITCH, Control Relay	1	76-816	●	●		
14	CLOSURE, Unused Hole	1	19-112-2--B	●--B	●--B		
1	CONTROL ENCLOSURE (230V)	1	76-949-1 Inc. C to D	● Inc. C to D	76-949-7 Inc. C to D		
2	TRANSFORMER, Control Voltage	1	185-18--C	●--C	●--C		
3	STARTER, Magnetic (230V)	1	76-948	●	76-948-5		
4	ENCLOSURE (230V)	1	68-1693-3	●	68-1829-1		
5	PANEL, Sub, Starter Mounting (230V)	1	68-1693-4	●	68-1829-2		
6	PANEL, Instrument (Decal)	1	62-978	●	●		
7	SWITCH, Pressure (PS-2)	1	76-845	●	●		
8	BLOCK, Fuse	1	139-247	●	●		
9	FUSE	1	139-244	●	●		
10	HOURMETER	1	60-457	●	●		
11	SWITCH	1	76-902	●	●		
12	LAMP, Signal	2	160-81	●	●		
13	SWITCH, Control Relay	1	76-816	●	●		
14	CLOSURE, Unused Hole	1	19-112-2--D	●--D	●--D		
1	CONTROL ENCLOSURE (460V)	1	76-949-2 Inc. E to F	76-949-5 Inc. E to F	76-949-5 Inc. E to F		
2	TRANSFORMER, Control Voltage	1	185-18--E	●--E	●--E		
3	STARTER, Magnetic (460V)	1	76-948-1	76-948-4	76-948-4		
4	ENCLOSURE (460V)	1	68-1693-3	●	●		
5	PANEL, Sub, Starter Mounting (460V)	1	68-1693-4	●	●		
6	PANEL, Instrument (Decal)	1	62-978	●	●		
7	SWITCH, Pressure (PS-2)	1	76-845	●	●		
8	BLOCK, Fuse	1	139-247	●	●		
9	FUSE	1	139-244	●	●		
10	HOURMETER	1	60-457	●	●		
11	SWITCH	1	76-902	●	●		
12	LAMP, Signal	2	160-81	●	●		
13	SWITCH, Control Relay	1	76-816	●	●		
14	CLOSURE, Unused Hole	1	19-112-2--F	●--F	●--F		
1	CONTROL ENCLOSURE (575V)	1	76-949-3 Inc. G to H	76-949-2 Inc. G to H	76-949-5 Inc. G to H		
2	TRANSFORMER, Control Voltage	1	185-18--G	●--G	●--G		
3	STARTER, Magnetic (575V)	1	76-948-2	76-948-1	76-948-4		
4	ENCLOSURE (575V)	1	68-1693-3	●	●		
5	PANEL, Sub, Starter Mounting (575V)	1	68-1693-4	●	●		

Continued on next page.

● Part number is same as in first column.



# GROUPS AND COMPONENTS

Group No. 5

CONTROLS - ELECTRICAL

MODEL

20-25-30SST

PART NUMBERS

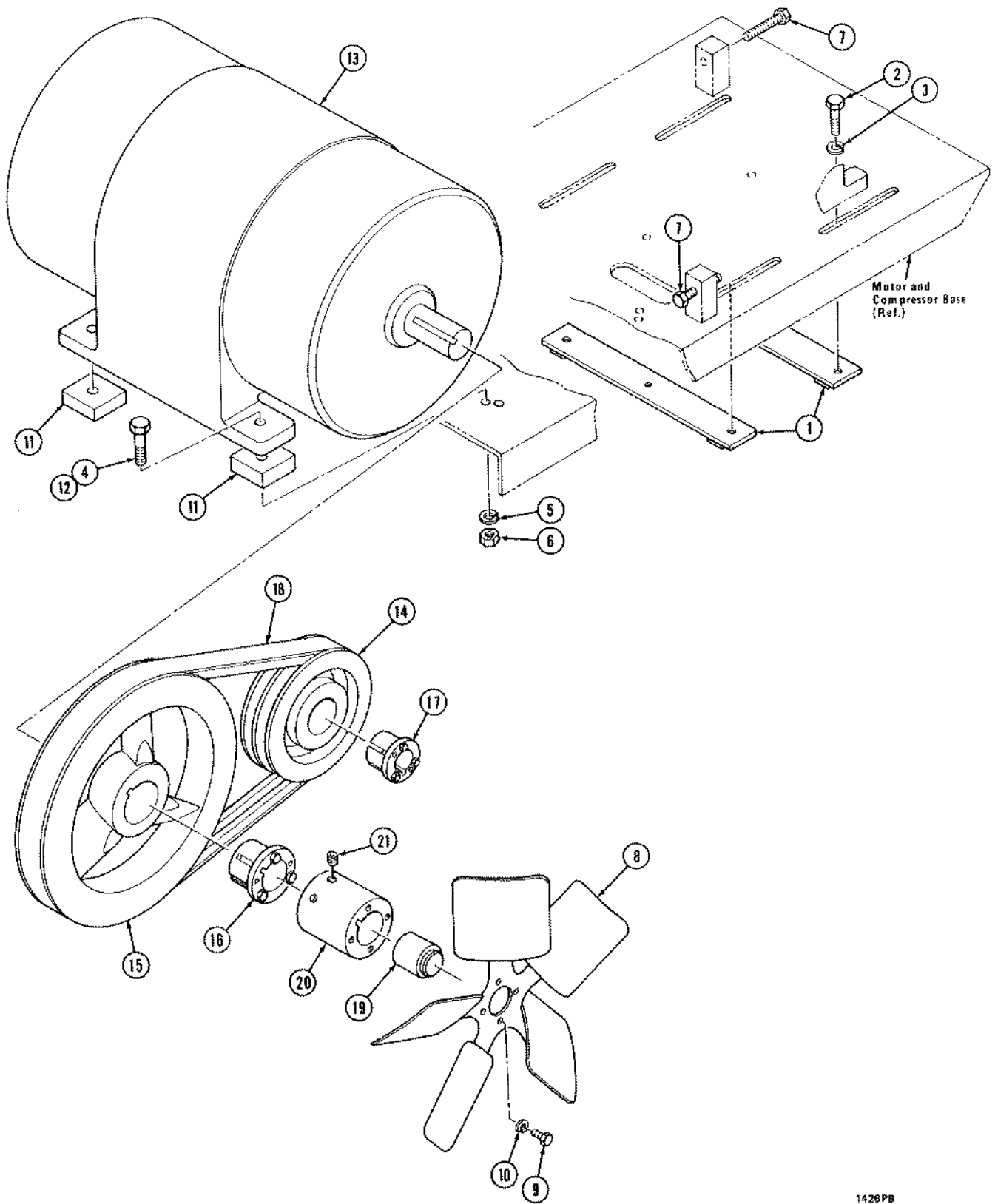
STANDARD	STANDARD	STANDARD		
2G76-911	2G76-911	2G76-911		
20SST	25SST	30SST		

Continued from previous page.

Ref.	Part Description	Qty.
6	PANEL, Instrument (Decal)	1
7	SWITCH, Pressure (PS-2)	1
8	BLOCK, Fuse	1
9	FUSE	1
10	HOURMETER	1
11	SWITCH	1
12	LAMP, Signal	2
13	SWITCH, Control Relay	1
14	CLOSURE, Unused Hole	1
	SCREW, Cap, Enclosure Mounting	4
	WASHER, Lock	4
	NUT	4
	CONDUIT (To Temperature Switch)	1
	NUT, Wire	2
	FITTING, Conduit	2
	CONDUIT, Motor	1
	FITTING, Conduit	1
	FITTING, Conduit	1
	WASHER, Reducer	2
	PROTECTOR, Wire	2
15	SWITCH, Pressure (PS-1) (Optional)	1
16	SCREW	2
17	WASHER, Lock	2
18	NUT	2
19	FITTING, Conduit	1
20	NUT, Conduit	2
21	FITTING	1
22	TUBE	1
23	FITTING	1
24	VALVE	1
25	NIPPLE, Pipe	1
26	TEE, Pipe	1
25	NIPPLE, Pipe	1
27	SWITCH, High Temperature Shut Down	1
	RELAY, Time Delay Three Mode Control	1

• Part number is same as in first column.







# GROUPS AND COMPONENTS

MOTOR MOUNTING - MOTORS-  
DRIVE - FAN

Group No. 6

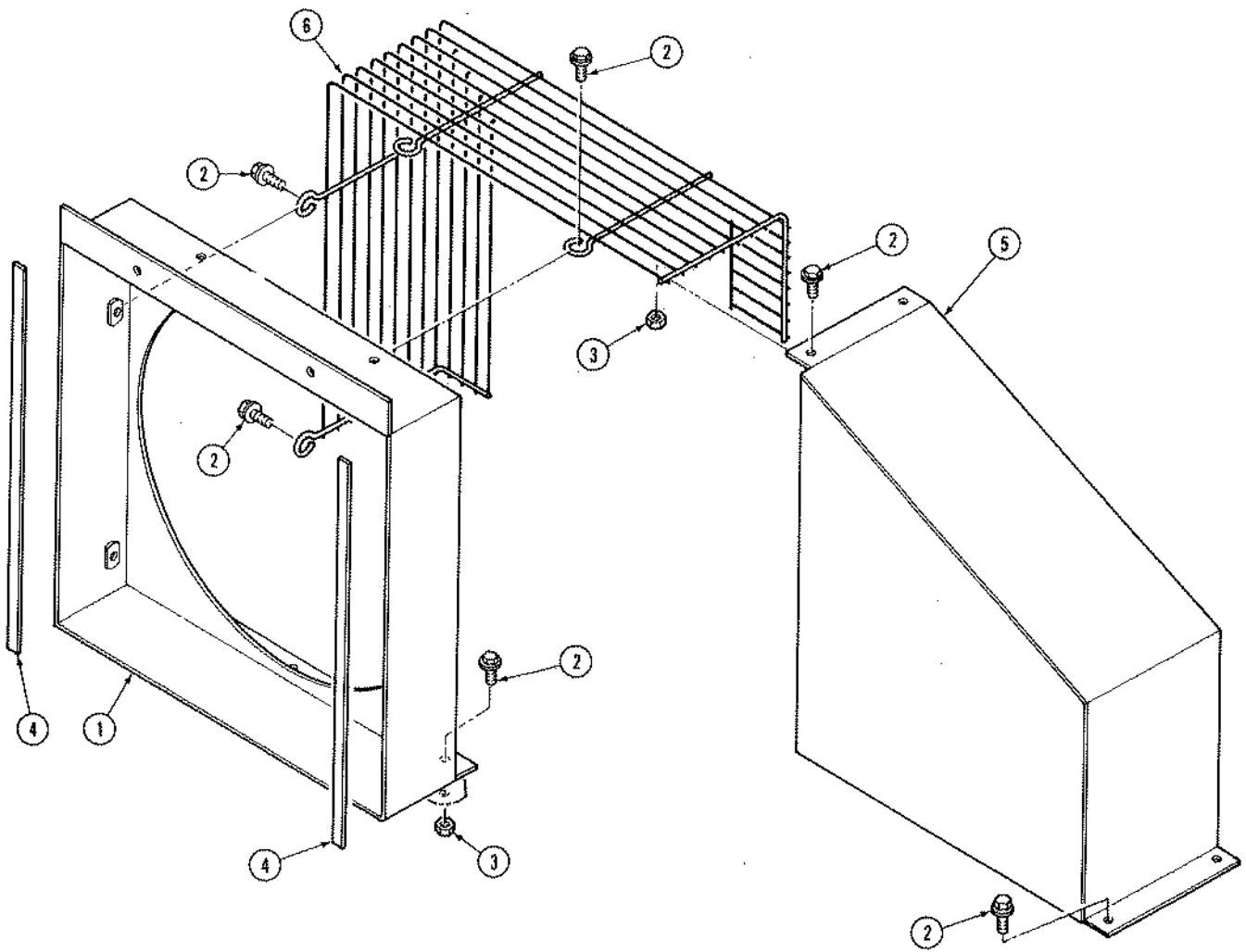
MODEL

20-25-30SST

PART NUMBERS

Ref.	Part Description	Qty.	PART NUMBERS		
			STANDARD	STANDARD	STANDARD
			G39-5910 G42-281 G22-1134	G39-5910 G42-281	G39-5910 G42-281
			20SST	25SST	30SST
1	RAIL, Slide (Compressor)	2	A39-5910	●	●
2	SCREW, Cap	4	02-56	●	●
3	WASHER, Lock	4	05-52	●	●
4	SCREW, Cap (Motor)	4	02-71	●	●
5	WASHER, Lock	4	05-53	●	●
6	NUT	4	04-105	●	●
7	BOLT, BELT TENSIONING	2	34-1462	●	●
8	FAN	1	42-281	●	●
9	SCREW, Cap	4	02-518	●	●
10	WASHER, Lock	4	05-50	●	●
11	SPACER, Motor	4	22-1134		
12	SCREW, Cap	4	02-74		
	<u>ELECTRIC MOTORS</u>				
13	200V (Standard)	1	H107-697-24	H107-697-27	H107-697-30
13	200V High Efficiency	1	107-876-24	107-876-27	107-876-30
13	200V TEFC	1	H107-698-24	H107-698-27	H107-698-30
13	230/460V (Standard)	1	H107-697-25	H107-697-28	H107-697-31
13	230/460V High Efficiency	1	107-876-25	107-876-28	107-876-31
13	230/460V TEFC	1	H107-698-25	H107-698-28	H107-698-31
13	575V (Standard)	1	H107-697-26	H107-697-29	H107-697-32
13	575V High Efficiency	1	107-876-26	107-876-29	107-876-32
13	575V TEFC	1	H107-698-26	H107-698-29	H107-698-32
	<u>DRIVE FOR 100 PSI OPERATION</u>				
			9G36-1240	10G36-1240	11G36-1240
14	PULLEY (Compressor)	1	36-1240	●	●
15	PULLEY (Motor)	1	36-1240	36-1240-3	36-1240-1
16	BUSHING, Pulley Motor	1	132-190	132-190-1	132-190-1
17	BUSHING, Pulley, Compressor	1	132-190-2	●	●
18	BELT	1	41-601	41-601-1	41-601-2
19	SPACER	1	22-1141	22-1142	22-1142
20	HUB, Fan	1	132-182-1	132-183-3	132-183-3
21	SCREW, Set	2	H34-560	014-3029	014-3029
	<u>DRIVE FOR 125 PSI OPERATION</u>				
			2G36-1240-2	5G36-1240-4	6G36-1240-4
14	PULLEY (Compressor)	1	36-1240	36-1240-4	36-1240-4
15	PULLEY (Motor)	1	36-1240-2	36-1240-3	36-1240-1
16	BUSHING, Pulley Motor	1	132-190	132-190-1	132-190-1
17	BUSHING, Pulley Compressor	1	132-190-2	●	●
18	BELT	1	41-601-4	41-601-1	41-601-2
19	SPACER	1	22-1141	22-1142	22-1142
20	HUB, Fan	1	132-182-1	132-183-3	132-183-3
21	SCREW, Set	2	H34-560	014-3029	014-3029

● Part number is same as in first column.



1427PB



# GROUPS AND COMPONENTS

FAN SHROUD -  
BELT GUARD

Group No. 7

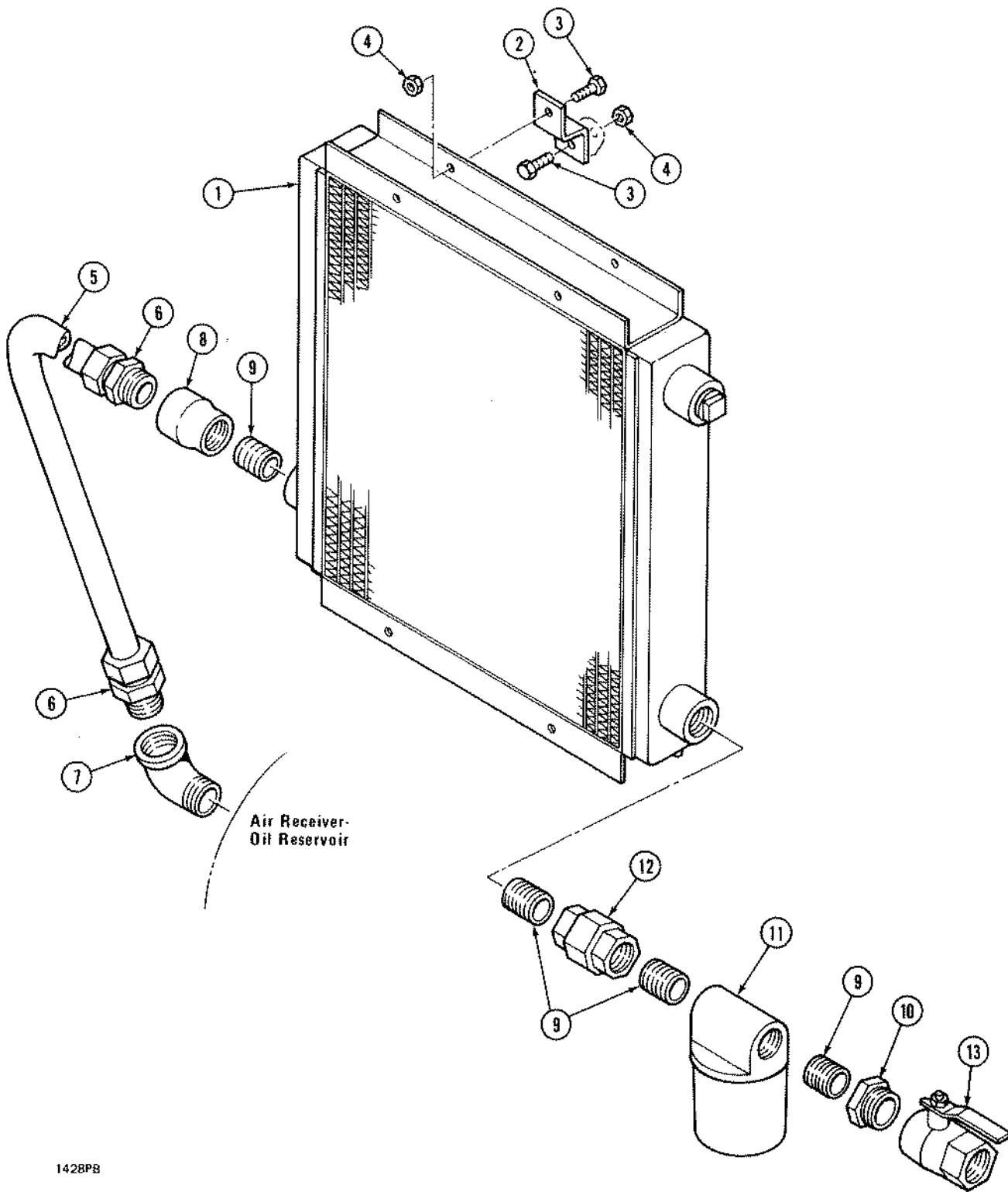
MODEL

20-25-30SST

## PART NUMBERS

Ref.	Part Description	Qty.	PART NUMBERS		
			STANDARD	STANDARD	STANDARD
			G201-262	G201-262	G201-262
			20SST	25SST	30SST
1	SHROUD, Fan (Weldment)	1	A201-262	●	●
2	SCREW, Cap	3	34-1474	●	●
3	NUT	3	04-103	●	●
4	PACKING, Rubber (cut to length)	1	125-717	●	●
5	GUARD, Belt	1	A156-751	●	●
2	SCREW, Cap	2	34-1474	●	●
3	NUT	2	04-103	●	●
6	GUARD, Fan	1	156-750	●	●
2	SCREW, Cap	6	34-1474	●	●

● Part number is same as in first column.





# GROUPS AND COMPONENTS

Group No. 8

AFTERCOOLER - PIPING

MODEL

20-25-30SST

## PART NUMBERS

Ref.	Part Description	Qty.	PART NUMBERS		
			STANDARD	STANDARD	STANDARD
			1G71-862	1G71-862	1G71-862
			20SST	25SST	30SST
1	AFTERCOOLER	1	71-862	●	●
2	SPACER, Aftercooler	4	22-1140	●	●
3	SCREW, Cap	8	34-1474	●	●
4	NUT	8	04-103	●	●
5	TUBE, Receiver to Aftercooler	1	55-2391	●	●
6	FITTING, Tube	2	182-436-5	●	●
7	ELBOW, St.	1	013-506	●	●
8	COUPLING, Pipe, Reducer	1	013-728	●	●
9	NIPPLE, Pipe	2	013-5A	●	●
10	BUSHING, Pipe Reducer	1	013-1073	●	●
11	SEPARATOR, Moisture	1	H43-673-1	●	●
9	NIPPLE, Pipe	2	013-5A	●	●
12	UNION, Pipe	1	013-905	●	●
13	VALVE, Service	1	H15-1292-2	●	●

● Part number is same as in first column.



# GROUPS AND COMPONENTS

Group No. 9

DECALS

MODEL

20-25-30SST

			PART NUMBERS			
			STANDARD	STANDARD	STANDARD	
			105G62-48	105G62-48	105G62-48	
			20SST	25SST	30SST	
Ref.	Part Description	Qty.				
	DECAL, Wiring	1	62-1027	•	•	
	PLATE, Instruction, Oil	1	62-870	•	•	
	DECAL, Electrical Warning	1	62-742	•	•	
	DECAL, Electrical Power Shut Off	1	62-598	•	•	
	LABEL, 200V Wiring	A.R.	H62-628	•	•	
	LABEL, 230V Wiring	A.R.	H62-628-1	•	•	
	LABEL, 460V Wiring	A.R.	H62-628-2	•	•	
	LABEL, 575V Wiring	A.R.	H62-628-3	•	•	
	DECAL, High Temperature Shut - Down	1	62-559	•	•	
	DECAL, T20SS	A.R.	62-1042			
	DECAL, T25SS	A.R.		62-1043		
	DECAL, T30SS	A.R.			62-1044	
	DECAL, Lion	1	62-778-2	•	•	

• Part number is same as in first column.



