

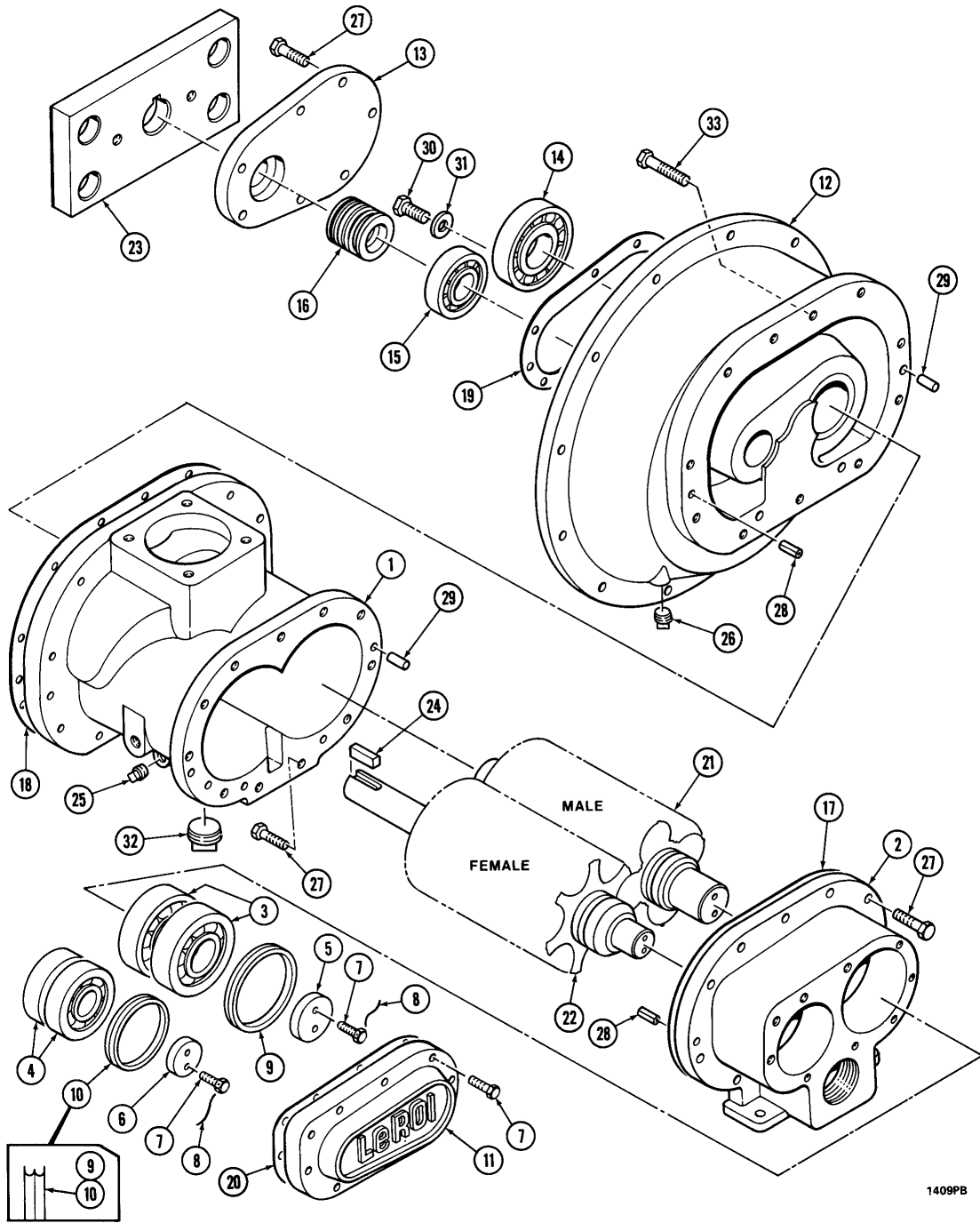
INDEX PARTS LIST

FEBRUARY 1989

3140x

GROUP NUMBER	GROUP NAME	GROUP NUMBER	GROUP NAME
1	AIR END 3140x and Before		
1A	AIR END 3140x and Later		
2	AIR RECEIVER/OIL RESERVOIR – OIL SEPARATOR 3140x and Before		
2A	AIR RECEIVER/OIL RESERVOIR – OIL SEPARATOR 3140x and Later		
3	AIR CLEANER – STANDARD		
3A	AIR CLEANER – OPTIONAL		
4	OIL COOLER – RADIATOR – SHROUD		
5	AIR/OIL AND CONTROL PIPING		
6	INTAKE VALVE AND SPEED CONTROL		
7	ENGINE – SUPPORTS – DRIVE COUPLING – FAN		
8	BATTERY AND CABLES		
9	MUFFLER		
10	INSTRUMENT PANEL – EARLY MODELS		WHEN CONSULTING YOUR DISTRIBUTOR OR THE FACTORY CONCERNING YOUR COMPRESSOR OR WHEN ORDERING SERVICE LITERATURE OR SERVICE PARTS, ALWAYS FURNISH COMPLETE UNIT MODEL AND SERIAL NUMBER.
10A	INSTRUMENT PANEL – LATER MODELS		
11	HOUSING		
12	FUEL TANK		
13	FRAME – LIFTING BAIL – JACKSTAND		
14	RUNNING GEAR		
15	DECALS AND LABELS		P/L 3140x

NOTE:
ILLUSTRATIONS USED IN THIS PARTS
LIST ARE OF TYPICAL PARTS AND
MAY DIFFER IN DETAIL.



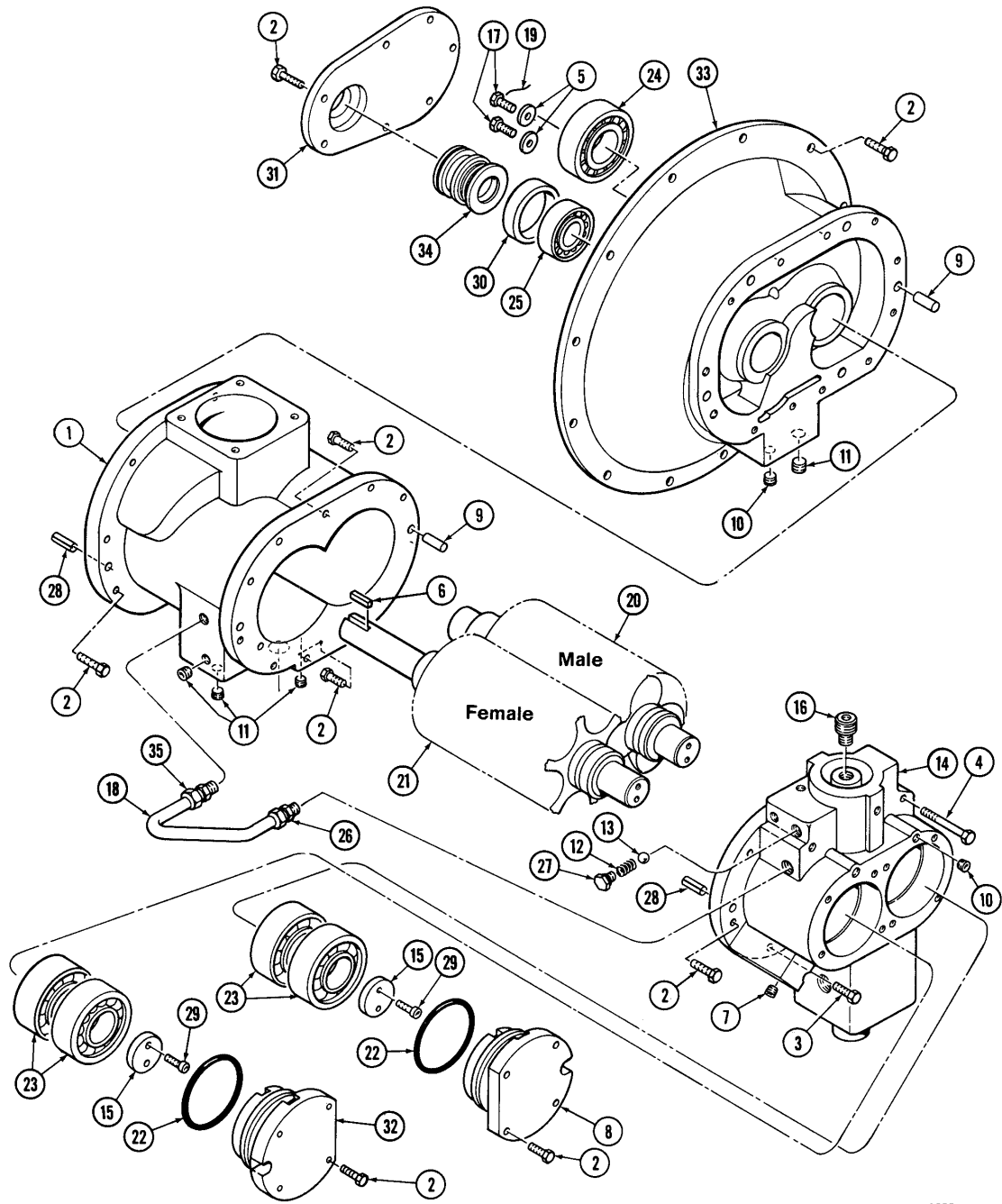
1409PB

PARTS LIST GROUPS AND COMPONENTS

**MODEL
Q185 E & U**

PART NUMBERS

GROUP NO. 1 AIR END				STANDARD		
REF	PART DESCRIPTION	QTY	A219-78	3140x & Before		
1	CYLINDER (NSS)	1		1-826		
2	RETAINER, BEARING (NSS)	1		31-805-1		
3	BEARING (NSS)	1		181-438		
4	BEARING (NSS)	2		181-440		
5	REATINER, BEARING	1		31-807		
6	RETAINER, BEARING	1		31-808		
7	SCREW, CAP	7		02-36		
8	SCREW, CAP	4		34-1517		
9	RING, LOAD	1		64-296		
10	RING, LOAD	1		64-297		
11	COVER, REAR BEARING	1		14-1545-1		
12	RETAINER, BEARING	1		31-892-1		
13	COVER, FRONT	1		14-1686		
14	BEARING, ROLLER (NSS)	1		181-437		
15	BEARING, ROLLER (NSS)	1		181-439		
16	SEAL, ROTARY	1		125-188-2		
17	GASKET	1		16-1886		
18	GASKET	1		16-1887		
19	GASKET	1		16-1888		
20	GASKET	1		16-1889		
21	ROTOR, MALE (NSS)	1		101-175		
22	ROTOR, FEMALE (NSS)	1		101-176		
23	FLANGE, COUPLING	1		28-584		
24	KEY	1		09-141		
25	PLUG, PIPE	1		011-3		
26	PLUG, PIPE	4		011-1		
27	SCREW, CAP	27		02-37		
28	PIN, ROLL	2		17-598-52		
29	PIN, DOWEL	2		17-647		
30	SCREW, CAP	2		34-84-18		
31	WASHER, FLAT	2		06-5		
32	PLUG, PIPE	1		011-207		
33	SCREW, CAP	2		02-40		
(NSS) = NOT SERVICED SEPARATELY						



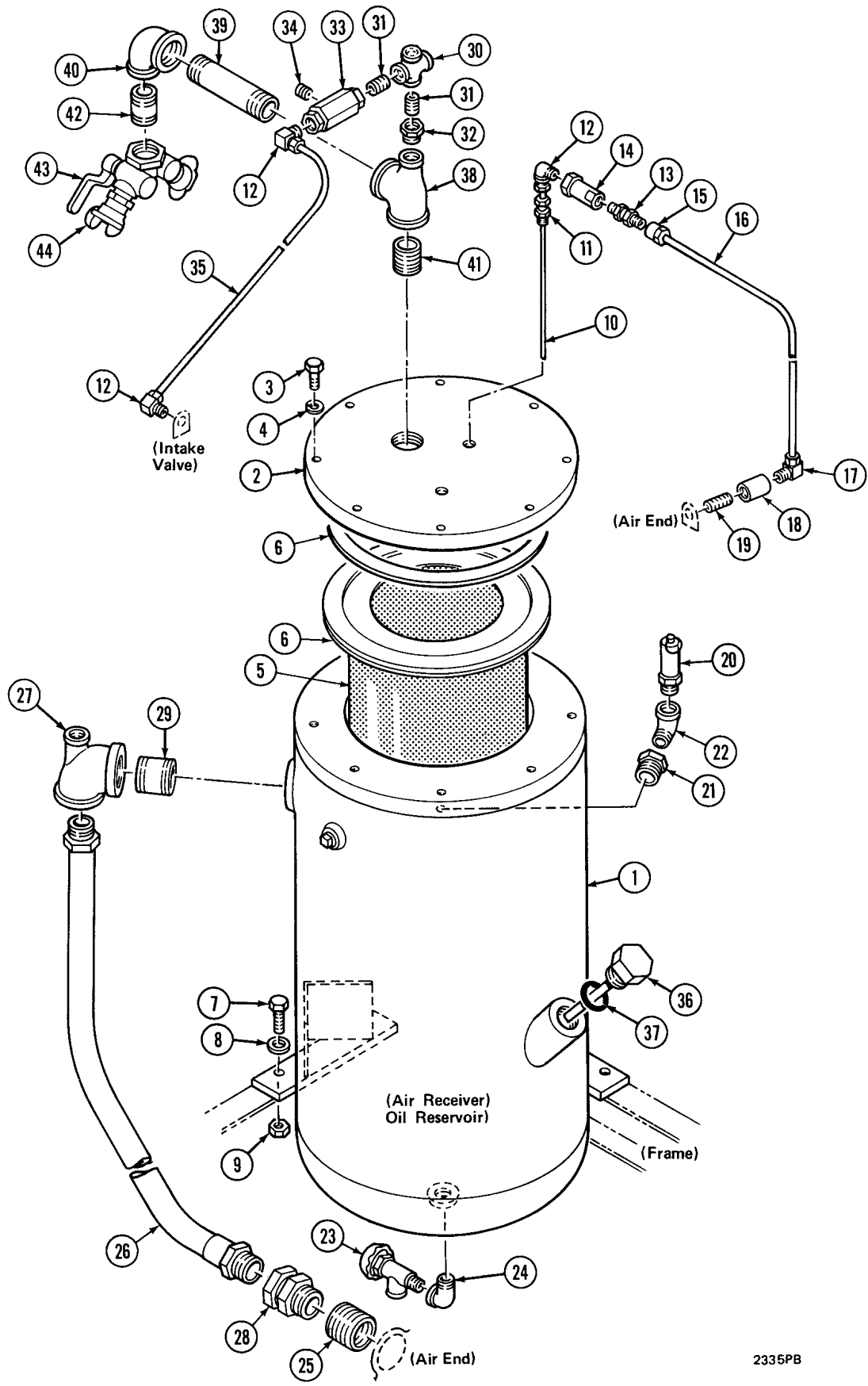
2095PB

PARTS LIST GROUPS AND COMPONENTS

**MODEL
Q185 E & U**

PART NUMBERS

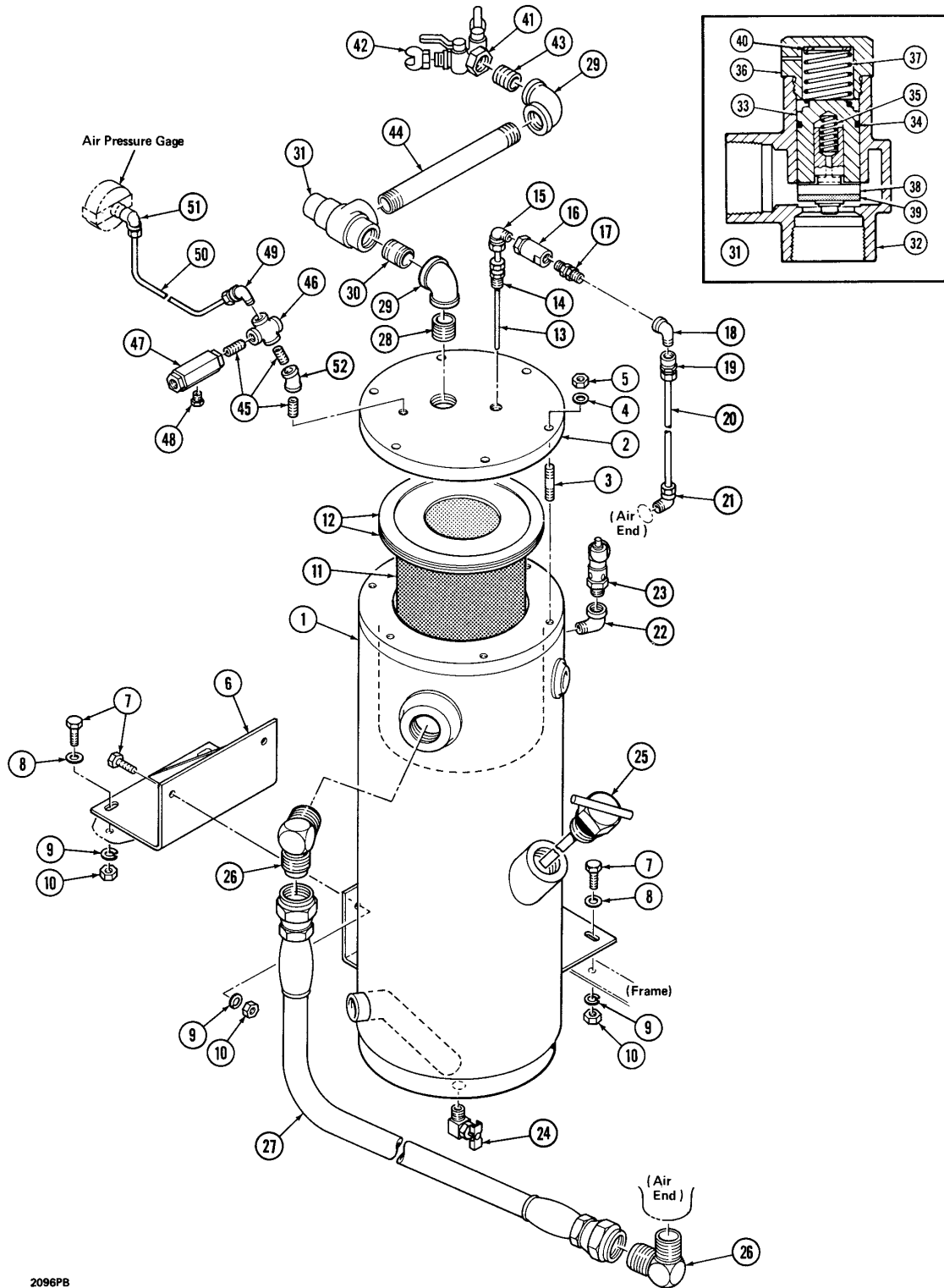
GROUP NO. 1A AIR END			STANDARD
REF	PART DESCRIPTION	QTY	A219-120 3140x & Later
	AIR END SERVICE ASSEMBLY	1	1A219-120
1	CYLINDER (NSS)	1	1-826-7
2	SCREW, CAP	34	02-37
3	SCREW, CAP	2	02-40
4	SCREW, CAP	2	02-46
5	WASHER, FLAT	2	06-4
6	KEY	1	09-141
7	PLUG, PIPE	1	011-103
8	RETAINER, BEARING	1	14-1763
9	PIN, DOWEL	1	17-647
10	PLUG, PIPE	6	19-202
11	PLUG, PIPE	6	19-203
12	SPRING, BYPASS VALVE	1	24-786
13	BALL, BYPASS VALVE	1	H30-51
14	RETAINER, BEARING	1	31-949
15	RETAINER, BEARING	2	31-675
16	NIPPLE, SPECIAL	1	33-1184
17	SCREW, CAP	2	34-841-8
18	TUBE	1	55-38-53
19	WIRE, LOCKING	AR	61-5
20	ROTOR, MALE (NSS)	1	101-188-1
21	ROTOR, FEMALE (NSS)	1	101-191
22	SEAL, O-RING	2	125-826-20
23	BEARING, REAR	4	181-377
24	BEARING, FRONT	1	181-437
25	BEARING, FRONT	1	181-578
26	FITTING	1	182-213
27	FITTING, PLUG	1	182-833-3
28	PIN, ROLL	2	17-598-52
29	SCREW, CAP, SPECIAL	4	34-1518
30	SPACER, BEARING	1	22-1185
31	RETAINER, SEAL	1	14-1686
32	RETAINER, BEARING	1	14-1763-1
33	RETAINER, FRONT	1	31-965
34	SEAL, INPUT SHAFT	1	125-188-2
35	FITTING	1	182-977



2335PB

PARTS LIST GROUPS AND COMPONENTS

MODEL Q185 E & U			PART NUMBERS	
GROUP NO. 2 AIR RECEIVER/OIL RESERVOIR - OIL SEPARATOR			STANDARD	
REF	PART DESCRIPTION	QTY	3G69-737-3 3140x & Before	
1	AIR RECEIVER/OIL RESERVOIR	1	A69-737-3 Inc. A to B	
2	COVER, RECEIVER	1	14-1578-1—A	
3	SCREW, CAP	8	34-1220	
4	WASHER, LOCK	8	05-53—B	
5	ELEMENT, SEPARATOR	1	43-886	
6	GASKET, COVER	1	16-1862	
7	SCREW, CAP	4	02-71	
8	WASHER, FLAT	4	06-6	
	WASHER, LOCK	4	05-53	
9	NUT, SPECIAL	4	04-105	
10	TUBE, SEPARATOR DRAIN	1	55-1632-5	
11	FITTING, SPECIAL	1	182-862-1	
12	FITTING	1	H182-383	
13	VALVE, CHECK	1	15-1703	
14	FILTER, DRAIN LINE	1	43-721	
15	FITTING	1	182-611-1	
16	TUBE, DRAIN	1	55-29-46	
17	FITTING	1	H182-393	
18	COUPLING, DRAIN LINE AT AIR END	1	013-701	
19	NIPPLE, DRAIN LINE AT AIR END	1	013-1A	
20	VALVE, PRESSURE RELIEF	1	15-1270-1	
21	BUSHING, REDUCER	1	013-1072	
22	ELBOW, PIPE	1	013-504	
23	VALVE, DRAIN	1	H15-1444	
24	ELBOW, PIPE	1	013-503	
25	BUSHING, REDUCER	1	33-823-2	
26	HOSE	1	73-940	
27	TEE, PIPE, REDUCER (FITTING)	1	013-1886	
28	FITTING	1	182-597	
29	NIPPLE, PIPE	1	013-27	
30	CROSS, PIPE	1	013-632	
31	NIPPLE, PIPE	2	013-2A	
32	BUSHING, PIPE	1	013-1065	
12	FITTING	2	H182-383	
33	VALVE, BLOW DOWN (DUMP)	1	15-1717	
34	ORIFICE, VALVE	1	19-610-1	
35	TUBE	1	55-1654-13	
36	CAP, FILLER WITH DIPSTICK	1	2A4-672	
37	SEAL, O-RING CAP	1	125-784-23	
38	TEE, PIPE REDUCER	1	013-1642	
39	ORIFICE, MINIMUM PRESSURE	1	A33-1170-1	
40	ELBOW, PIPE	1	013-459	
41	NIPPLE, PIPE	1	013-7E	
42	NIPPLE, PIPE	1	013-6	
43	VALVE, SERVICE	1	15-1828	
44	COUPLING, HOSE	2	28-264	
	INDICATOR, RESTRICTION	1	43-577	
	FITTING, SPECIAL	2	182-623	
	NUT	2	53-261	
	FITTING, TUBE, ELBOW	2	182-210	
	FITTING, ELBOW	1	182-228	
	FITTING, STRAIGHT	1	182-230	
	BUSHING, REDUCER	1	013-1063	
	TUBE	1	55-1654-2	
	TUBE	1	55-1654-1	
	PLATE, INDICATOR	1	62-583-1	
	SCREW, DRIVE	2	03-1406	



2096PB

PARTS LIST GROUPS AND COMPONENTS

MODEL Q185 E & U			PART NUMBERS	
GROUP NO. 2A AIR RECEIVER/OIL RESERVOIR - OIL SEPARATOR			STANDARD	STANDARD
REF	PART DESCRIPTION	QTY	4G69-841 3140x & Later	4G69-820 3140x thru 3140x
1	AIR RECEIVER/OIL RESERVOIR	1	A69-841	69-820
2	COVER	1	Inc. A to B	Inc. A to B
3	STUD (CAPSCREW)	6	14-1772—A	14-1772—A
4	WASHER, LOCK	6	105-585	105-585
5	NUT	6	05-51	05-51
6	BRACKET, MOUNTING	1	53-788—B	53-788-B
7	SCREW, CAP	4	A39-6413	A39-6413
8	WASHER, FLAT	6	02-20	(6) 02-20
9	WASHER, LOCK	6	06-3	(4) 06-3
10	NUT	6	05-50	(6) 05-50
11	ELEMENT, SEPARATOR	1	43-889-1	04-102
12	GASKET	2	Inc. C	43-889-1
13	TUBE	1	16-2049—C	Inc. C
14	FITTING	1	55-1632-6	16-2049—C
15	FITTING	1	182-862-1	55-1632-6
16	FILTER, DRAIN LINE	1	182-230	182-862-1
17	VALVE, CHECK	1	43-721	182-230
18	ELBOW, STREET	1	15-1703	43-721
19	FITTING	1	013-502	15-1703
20	TUBE	1	182-611-1	013-502
21	FITTING	1	55-29-46	182-611-1
22	ELBOW, PIPE	1	182-210	55-29-46
23	VALVE, PRESSURE RELIEF	1	013-504	182-210
24	VALVE, DRAIN	1	15-1270-1	013-504
25	DIPSTAIK	1	15-338	15-1270-1
26	SEAL, O-RING	1	A60-601	15-338
27	FITTING	1	Inc. D	A60-601
28	HOSE	1	125-784-23—D	Inc. D
29	ELBOW, PIPE	1	182-434-19	125-784-23—D
30	NIPPLE, PIPE	1	73-959	182-434-19
31	VALVE, MINIMUM PRESSURE	1	182-434-19	73-959
32	BODY	1	013-26	182-434-19
33	PISTON	1	013-459	013-26
34	SEAL, O-RING	1	013-459	013-459
35	SPRING, SMALL	1	013-7E	013-459
36	CAP	1	15-1667	013-7E
37	SPRING, LARGE	1	Inc. E to F	15-1667
38	PISTON ASSEMBLY	1	220-182-1—E	Inc. E to F
39	SEAT	1	220-182-3	220-182-1—E
40	SHIM, WASHER	1	125-826-29	220-182-3
29	NIPPLE, PIPE	1	220-187-4	125-826-29
41	VALVE, SERVICE	1	220-159-5	220-187-4
42	COUPLING, HOSE	2	220-159-6	220-159-5
43	NIPPLE, PIPE	1	220-159-7	220-159-6
44	NIPPLE, PIPE	1	220-159-8	220-159-7
45	NIPPLE, PIPE	2	06-69—F	220-159-8
46	CROSS, PIPE	1	013-179	06-69—F
47	VALVE, BLOW DOWN (DUMP)	1	013-459	013-179
48	ORIFICE, VALVE	1	15-1828	013-459
49	FITTING	1	28-264	15-1828
50	TUBE	1	013-6	28-264
51	FITTING	1	013-159	013-6
52	ELBOW, PIPE	1	013-2A	013-159
			013-632	013-2A
			013-2A	013-632
			15-1717	013-2A
			19-610-1	15-1717
			H182-383	19-610-1
			55-1654-13	H182-383
			182-236	55-1654-13
			013-432	182-236

PARTS LIST GROUPS AND COMPONENTS

**MODEL
Q185 E & U**

PART NUMBERS

GROUP NO. 3 AIR CLEANER - STANDARD			STANDARD		
REF	PART DESCRIPTION	QTY	45G43-422		
	AIR CLEANER, AIR END	1	43-867-2		
	CLAMP	1	83-915-16		
	AIR CLEANER, ENGINE	1	43-422 Inc. A		
	ELEMENT, AIR CLEANER	1	220-97—A		
	CLAMP	2	83-410		
	SCREW, CAP	4	02-36		
	WASHER, LOCK	4	05-51		
	NUT, SPECIAL	4	04-103		
	CLAMP	4	83-915-16		
	CONNECTION	1	65-1454		
	HOSE, ELBOW	2	73-764		

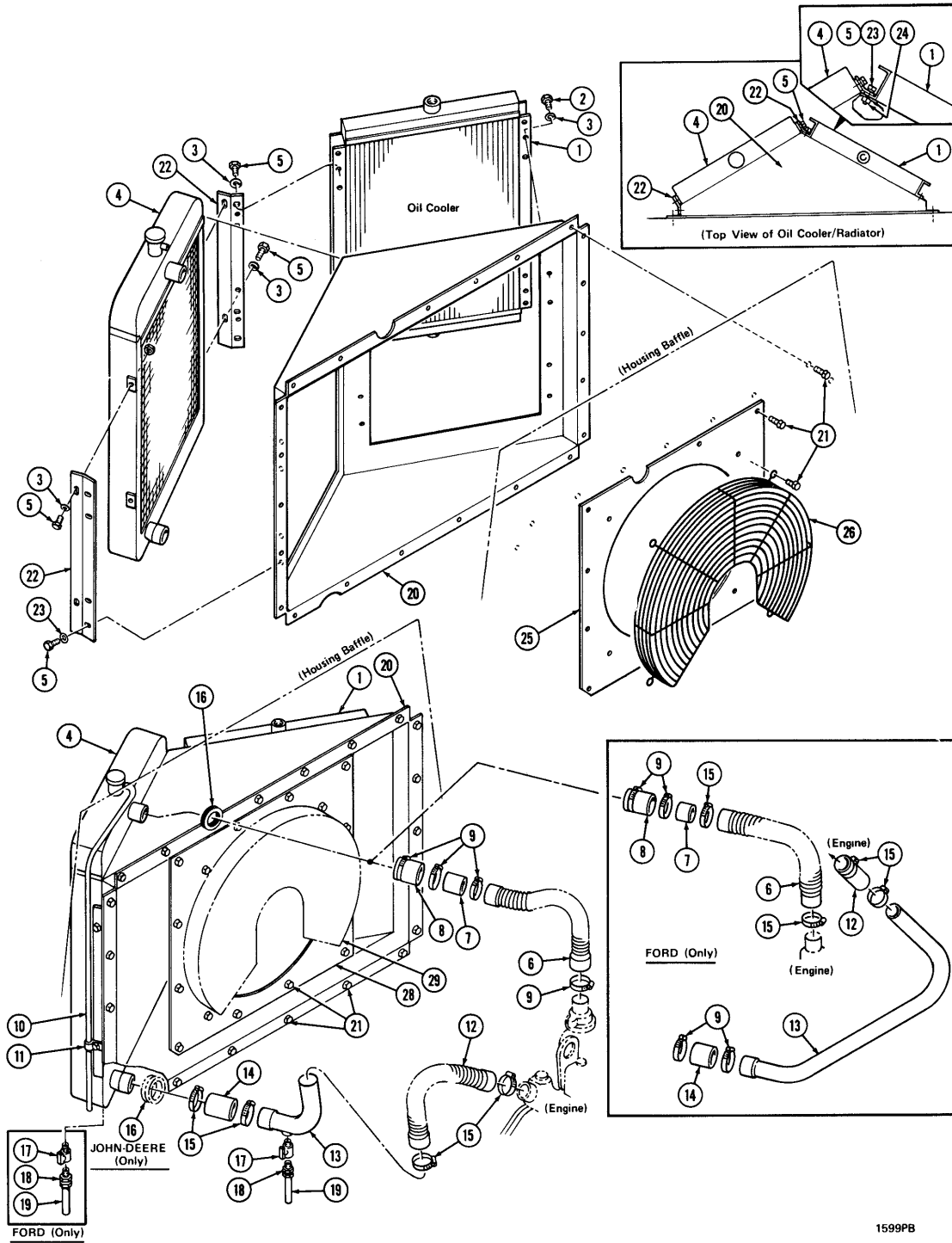
PARTS LIST GROUPS AND COMPONENTS

MODEL Q185 E & U

PART NUMBERS

GROUP NO. 3A AIR CLEANERS - OPTIONAL

REF	PART DESCRIPTION	QTY	OPTIONAL
			G43-422-1 5G43-744 2G43-833
	AIR CLEANER, AIR END (WITH VACUATOR)	1	43-422-1 Inc. A to B
	ELEMENT, AIR CLEANER	1	220-97—A
	VACUATOR	1	43-494-1—B
	HOSE, ELBOW	1	73-764
	CLAMP, HOSE AND VACUATOR	4	83-621-5
	TUBE	1	55-729-4
	HOSE	1	73-370-8
	NIPPLE, PIPE	1	33-178-41
	SCREW, CAP	4	02-36
	WASHER, LOCK	4	05-51
	NUT	4	04-103
	CLAMP, MOUNTING	2	83-410
	SCREW, CAP	4	02-36
	NUT	4	04-103
	AIR CLEANER, AIR END (WITH VACUATOR AND SECONDARY ELEMENT)	1	43-744 Inc. C to D
	ELEMENT, PRIMARY	1	43-744-1—C
	ELEMENT, SECONDARY	1	43-744-2
	VACUATOR	1	43-494-1—D
	CLAMP, VACUATOR	1	83-621-5
	CLAMP, MOUNTING	2	83-410
	SCREW, CAP	4	02-34
	NUT, SPECIAL	4	04-103
	HOSE	1	73-370
	CLAMP, HOSE	2	83-621-5
	CLAMP	2	83-621-6
	HOSE, REDUCER	1	73-742
	TUBE	1	55-729-14
	AIR CLEANER, ENGINE (WITH SECONDARY ELEMENT AND VACUATOR)	1	43-883 Inc. E to F
	ELEMENT, PRIMARY	1	43-883-1—E
	ELEMENT, SECONDARY	1	43-883-2
	VACUATOR	1	43-949-1—F
	CLAMP, VACUATOR	1	83-621-5
	CLAMP, MOUNTING	2	83-608
	SCREW, CAP	4	02-34
	NUT, SPECIAL	4	04-103
	HOSE	1	73-370
	CLAMP, HOSE	2	83-621-5



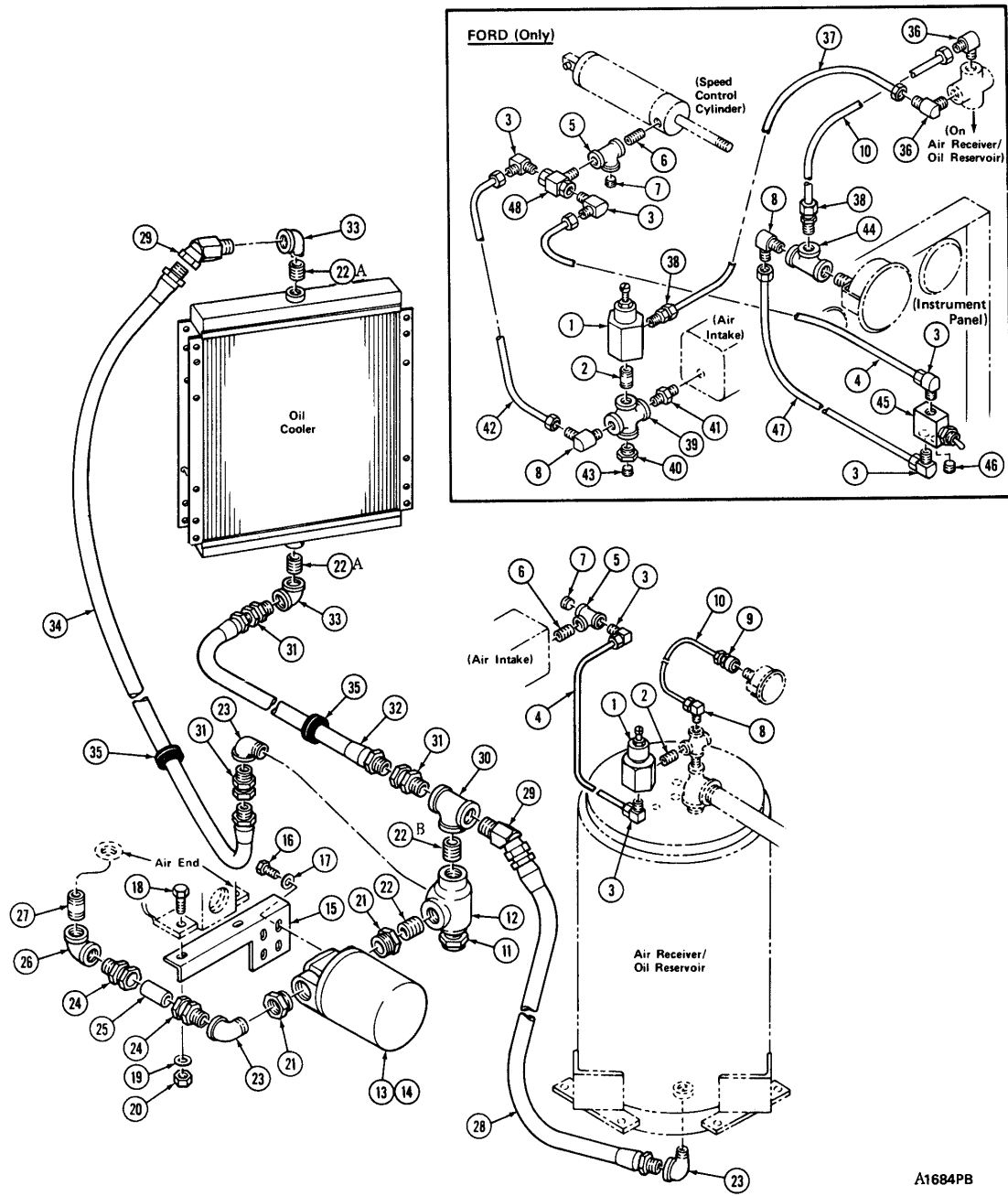
PARTS LIST GROUPS AND COMPONENTS

MODEL Q185 E & U

PART NUMBERS

GROUP NO. 4 RADIATOR – OIL COOLER - SHROUD

REF	PART DESCRIPTION	QTY	STANDARD	STANDARD	STANDARD
			2G71-960	2G71-960	1G71-925
			6G71-1007	8G71-926	8G71-926
			13G201-281	8G201-281	4G201-281
			3140x184	3140x thru 3140x183	3140x & Before
1	COOLER, OIL	1	71-960	71-960	71-925
2	SCREW, CAP	6	02-20	02-20	(8) 02-34
3	WASHER, LOCK	6	05-50	05-50	(8) 05-51
	FITTING, PLUG	1	182-750-5	182-750-5	
	BRACKET, OIL COOLER, MOUNTING	2			39-6209
	SCREW, SPECIAL	4			34-1448
	NUT	4			04-102
	SCREW, SPECIAL	4			34-1512
	BAFFLE, OIL COOLER, SIDE, FRONT	1			201-287-1
	BAFFLE, OIL COOLER, SIDE, FRONT	1			201-288
4	RADIATOR	1	71-1007	71-926	71-926
	BRACKET	4		39-6143	39-6143
5	SCREW, CAP	4	02-35	(8) 02-34	(8) 02-34
	WASHER, LOCK	4	05-51		
	WASHER, FALT	4	06-3		
	NUT, SPECIAL	8		53-602	53-602
6	HOSE, RADIATOR TOP	1	73-836	73-836	73-836
7	TUBE, ADAPTOR	1		65-2442	65-2442
8	HOSE	1		73-1-8	73-1-8
9	CLAMP, HOSE	4	83-621-3	83-621-3	83-621-3
10	HOSE, RADIATOR OVERFLOW	AR	73-760	73-760	73-760
	TANK, COOLANT RECOVERY	1	69-813	69-813	69-813
14	HOSE	1	73-5-14	73-1-8	73-1-8
15	CLAMP	2	83-621-3	83-621-3	83-621-3
	CONNECTOR	1	A65-2443	A65-2443	A65-2443
	HOSE	1	73-32	73-52	73-52
	CLAMP	2	83-621-3	83-621-3	83-621-3
16	GROMMET	1	C150-3	C150-3	C150-3
17	VALVE, DRAIN	1	15-338	15-338	15-338
18	FITTING	1	182-228	182-228	182-228
19	TUBE, DRAIN	1	55-29-56	55-29-56	55-29-56
	CAP, RADIATOR	1	4-677	4-677	4-677
20	SHROUD	1	2A201-281	1A201-281	A201-281
21	SCREW, SPECIAL	23	34-1512	34-1512	34-1512
	BRACKET, OIL COOLER (TOP & BOTTOM)	2		39-6299	39-6299
	SCREW, CAP	4		02-18	(8) 02-18
	WASHER, LOCK	4		05-50	(8) 05-50
	NUT	8		04-102	04-102
22	SUPPORT, RADIATOR	2	39-6163-1	39-6163	39-6163
5	SCREW, CAP	8	02-34	02-34	02-34
23	WASHER, FLAT	8	06-4	06-4	06-4
25	SHROUD, FAN (PLATE)	1	A201-299	A201-299	021-299
21	SCREW, SPECIAL	12	34-1512	34-1512	34-1512
26	GUARD, FAN	1	156-775	156-775	156-775
21	SCREW, SPECIAL	4	02-36	02-36	34-1512



A1684PB

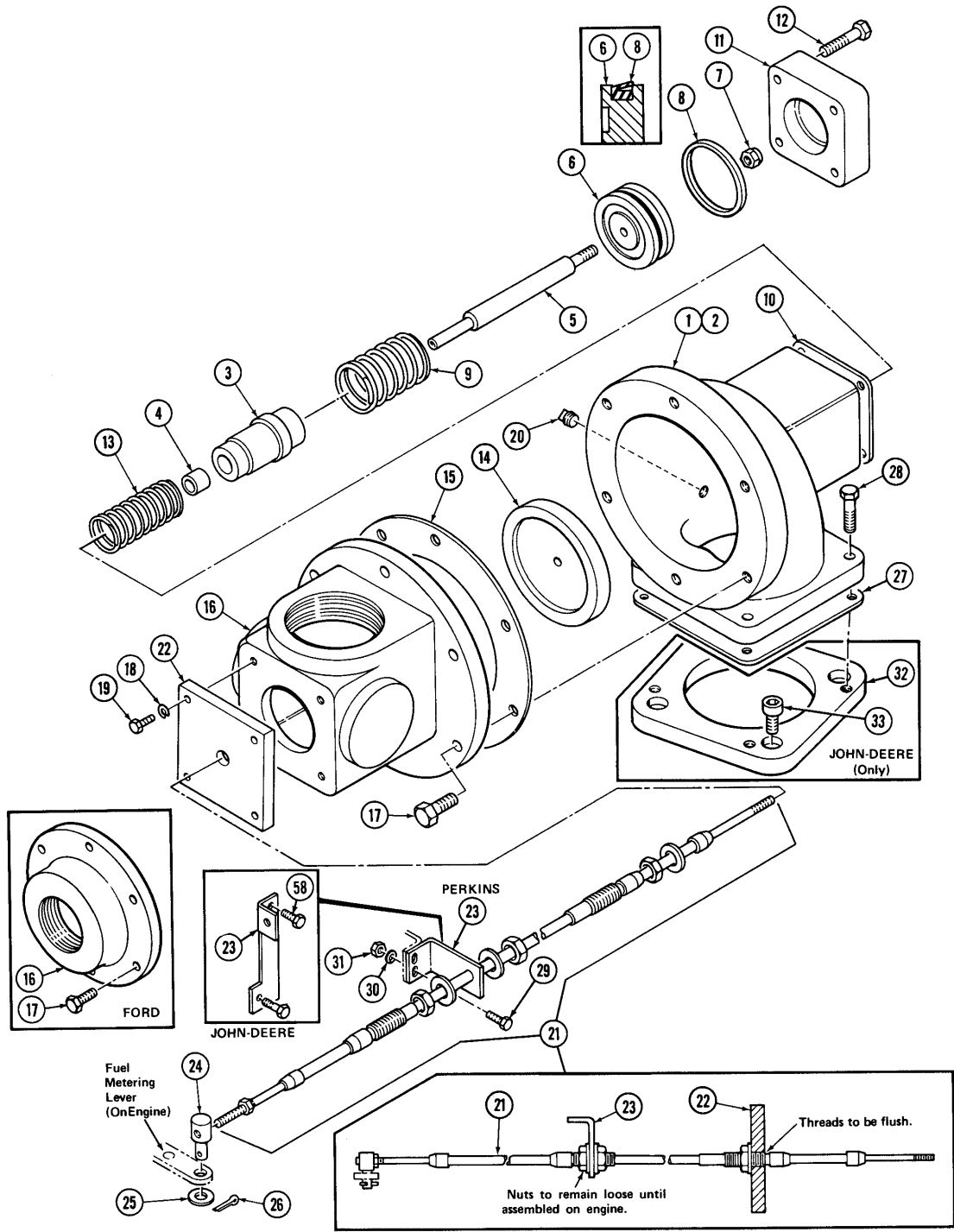
PARTS LIST GROUPS AND COMPONENTS

MODEL Q185 E & U

PART NUMBERS

GROUP NO. 5 AIR-OIL AND CONTROL PIPING

REF	PART DESCRIPTION	QTY	STANDARD	STANDARD
		25G1	15-1580	32G15-1580
			26G116-255	23G116-255
			3140x & Later	3140x & Before
1	VALVE, CONTROL PRESSURE REGULATOR	1	15-1580 Inc. A & B	15-1580 Inc. A & B
	DIAPHRAGM	1	220-153—A	220-153—A
	SEAT	1	220-153-1—B	220-153-1—B
2	NIPPLE, PIPE	1	013-2A	013-2A
3	FITTING	2	H182-393	H182-393
4	TUBE	1	55-1654-7	55-1654-7
5	TEE, PIPE	1	013-601	013-601
6	NIPPLE, PIPE	1	013-1	013-1
7	ORIFICE, CONTROL BLEED	1	54-415-13	54-416-24
8	FITTING	1	H182-383	(2) H182-383
9	FITTING	1	182-611	182-611
10	TUBE	1	55-1654-3	55-1654-3
	FITTING	1	182-236	
11	VALVE, THERMAL BYPASS	1	116-255	116-255
12	HOUSING, VALVE	1	116-281-2	116-281-2
13	FILTER, OIL	1		43-837 Inc. C
14	ELEMENT, FILTER	1	43-837-1	43-837-1—C
15	BRACKET, OIL FILTER	1		39-6189
16	SCREW, CAP	4		02-33
17	WASHER, LOCK	4		05-51
18	SCREW, CAP	2		02-36
19	WASHER, FLAT (LOCK)	2		06-4
20	NUT, SPECIAL	2		53-602
21	BUSHING, REDUCER	2		013-1073
22	NIPPLE, PIPE	1		013-5B
22	NIPPLE, PIPE	1		013-5B
23	ELBOW, PIPE	1		013-505
24	FITTING, TUBE	2		182-283
25	TUBE	1		55-292-16
26	ELBOW, PIPE, REDUCER	1		013-460
23	NIPPLE, PIPE (BUSHING)	1		013-171
	NIPPLE, PIPE	1	M33-784-6	
	FITTING	1	182-972	
	FITTING	1	182-452-22	
	FITTING	1	182-471-6	
28	HOSE	1	73-967	73-947-26
29	FITTING	1		182-269
30	TEE, PIPE	1		013-605
22	NIPPLE, PIPE	1		013-5B
31	FITTING	1		182-465-1
32	HOSE	1	73-967-1	73-947-66
31	FITTING	1		182-271
22A	NIPPLE, PIPE	2		013-6
33	ELBOW, REDUCING	2		013-456
29	FITTING	1		182-271
34	HOSE	1	73-967-2	73-947-90
31	FITTING	1		182-465-1
35	GROMMET	2	C150-37	C150-37
	BRACKET, HOSE SUPPORT	1		39-6294
	CLAMP	2		83-491-1
	SCREW, CAP	1		02-36
	WASHER, LOCK	1		05-51
	NUT	1		04-103



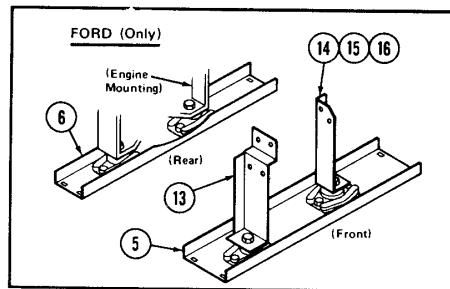
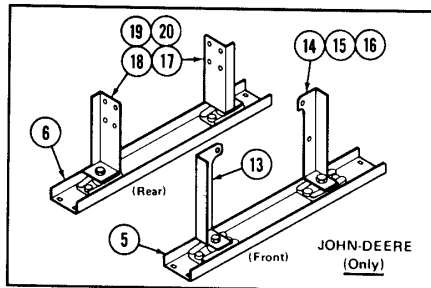
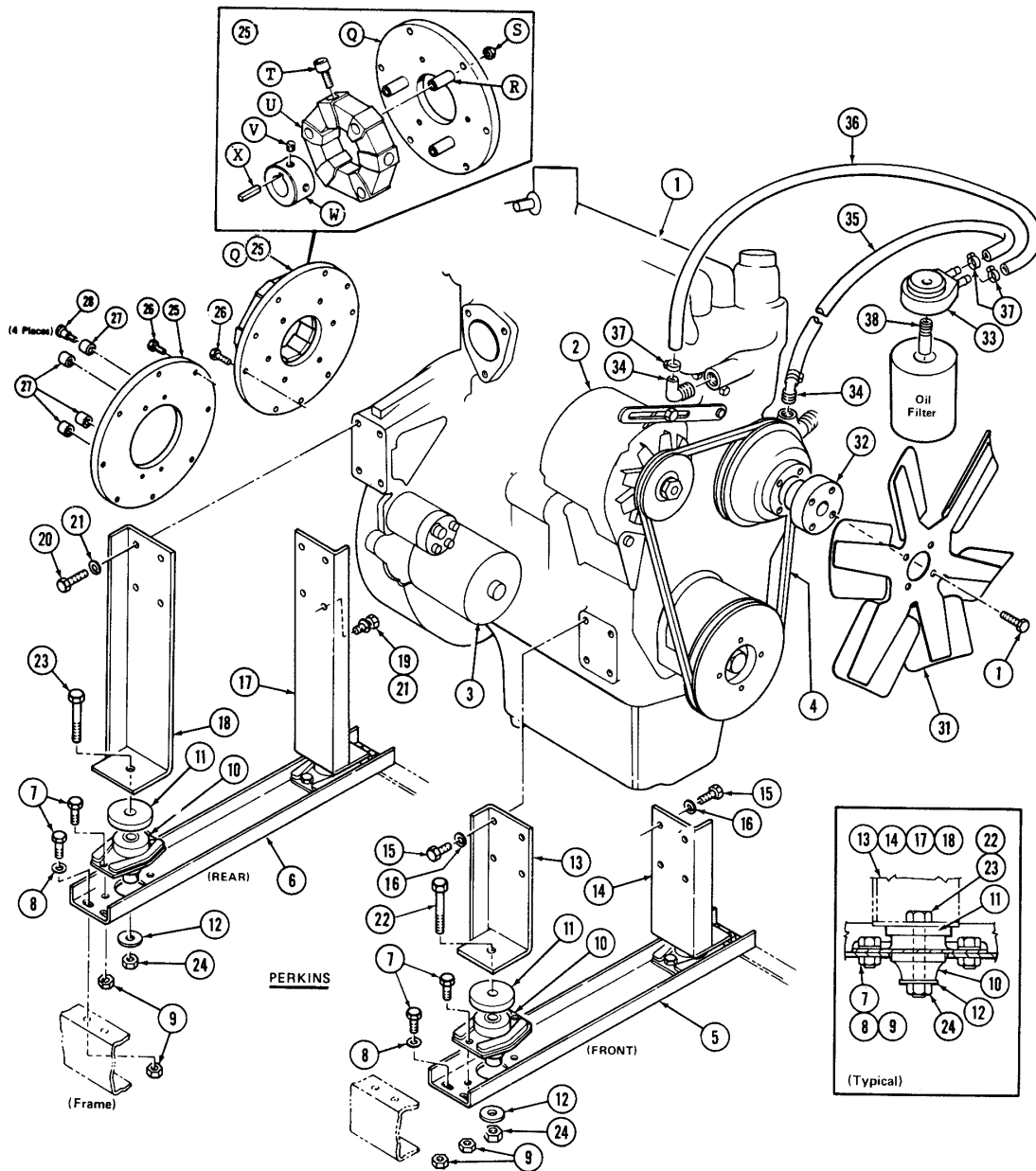
A1607PB

PARTS LIST GROUPS AND COMPONENTS

**MODEL
Q185 E & U**

PART NUMBERS

GROUP NO. 6 INTAKE VALVE AND SPEED CONTROL			STANDARD		
REF	PART DESCRIPTION	QTY	18G116-407 3140x All		
1	INTAKE VALVE-SPEED CONTROL ASSEMBLY	1	8A116-407 Inc. A to B		
2	BODY	1	116-405-1—A		
3	BUSHING	1	21-993		
4	BUSHING	1	21-781		
5	SHAFT	1	27-1811-1		
6	PISTON	1	8-808-1		
7	NUT, SPECIAL	1	53-380		
8	* SEAL, PISTON	1	125-908		
9	SPRING	1	24-802		
10	GASKET	1	16-1893		
11	COVER, PISTON RETAINER	1	31-812		
12	SCREW, CAP	4	02-38		
13	SPRING	1	24-752		
14	VALVE	1	15-1596		
15	GASKET	1	16-1892		
16	CONNECTION, AIR INTAKE	1	65-2440-1		
17	SCREW, CAP	6	02-36		
18	WASHER, LOCK	4	05-49		
19	SCREW, CAP	4	02-4		
20	PLUG, PIPE	2	011-2		
21	CABLE, SPEED CONTROL	1	120-47		
22	PLATE, MOUNTING (COVER)	1	39-5939—B		
23	BRACKET, ADJUSTING	1	39-6297		
24	PIN, PIVOT	1	17-1282		
25	WASHER, FLAT	1	06-67		
26	PIN, COTTER	1	07-21		
27	GASKET	1	16-1894		
28	SCREW, CAP	4	02-36		
	SCREW, CAP (TO ENGINE)	2	02-891		
	SUPPORT, CABLE (TO ENGINE)	1	39-6298		
58	SCREW, CAP (SUPPORT TO BRACKET)	1	02-38		
	WASHER, FLAT	1	02-38		
	WASHER, LOCK	1	05-51		
	NUT	1	04-103		

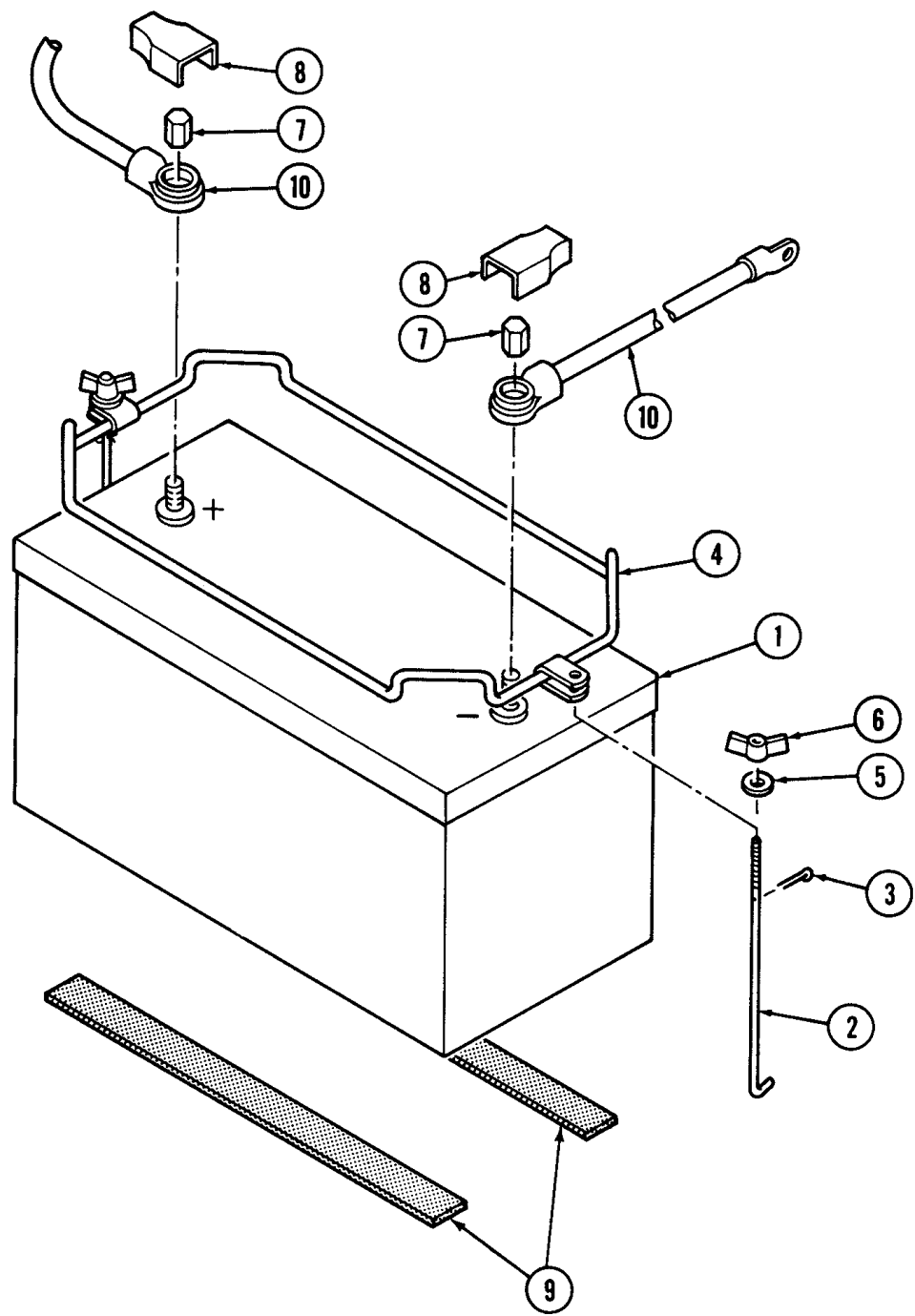


1601PB

PARTS LIST GROUPS AND COMPONENTS

MODEL Q185 E & U			PART NUMBERS	
GROUP NO. 7 ENGINE – SUPPORTS - DRIVE COUPLING – FAN			STANDARD	STANDARD
REF	PART DESCRIPTION	QTY	G107-913	G107-913
			G39-6284	G39-6284
			2G28-615-1	3G28-583
			3140x & Later	3140x & Before
1	ENGINE, CUMMINS (4B3.9)	1	107-913	107-913
5	SUPPORT, FRONT CROSSMEMBER	1	39-6284	39-6284
6	SUPPORT, REAR CROSSMEMBER	1	39-6285	39-6285
7	SCREW, CAP	4	02-566	02-48
8	WASHER, FLAT	4	06-5	06-4
9	NUT, SPECIAL	4	H53-396-1	53-602
10	MOUNT, VIBRACTION	2	74-243	72-243
11	SPACER	2	22-1188	22-1188
12	WASHER, SPECIAL	4	20-1065	20-1065
7	SCREW, CAP	8	02-36	02-36
9	NUT, SPECIAL	8	53-602	53-602
	WASHER, FLAT	8	06-4	06-4
17	SUPPORT, REAR	2	39-6287	39-6287
18	SUPPORT, REAR, (BRACE)	2	A39-6286	A39-6286
19	SCREW, CAP	2	02-101	02-101
	WASHER, FLAT	2	06-8	06-8
22	BOLT, CENTER	2	02-107	02-107
24	NUT, SPECIAL	4	53-678	53-678
	KIT, DRIVE COUPLING	1	A204-1177	
25	COUPLING	1	Inc. A to D 28-615-2—A Inc. B to C	28-583
Q	FLANGE, DRIVE	1	220-261-8—B	
R	STUD	3	220-261-2	
S	NUT	3	220-261-5	
T	SCREW, SOCKET HEAD	3	220-261	
U	FLEXIBLE MEMBER	1	220-261-3	
V	SCREW, SET	1	220-261-1	
W	HUB, WITH SCREW, SPECIAL	1	132-221-3	
X	KEY	1	09-141—C	
	THREAD COMPOUND	AR	No P/N—D	
26	SCREW, CAP, SPECIAL	8	34-574-1	02-37
	SCREW, CAP, SPECIAL	12	02-37	
	WASHER	12		05-52
27	BUSHING	4		150-61
28	BOLT, SHOULDER	4		34-1440
	SCREW, CAP	12		02-862
31	FAN, E MOUNT	1	◆	42-304-2
32	SPACER, FAN	1	◆	◆
1	SCREW, CAP, FAN	4	◆	◆
	COOLER, ENGINE OIL	1	◆	◆
	FITTING	2	◆	◆
	HOSE	1	◆	◆
	HOSE	1	◆	◆
	CLAMP, HOSE	4	◆	◆
	PANEL, BOTTOM COVER	1	68-2037	
	SCREW, CAP, SPECIAL	14	34-1512	34-1512

◆ = PART OF ENGINE



Δ 1540РБ

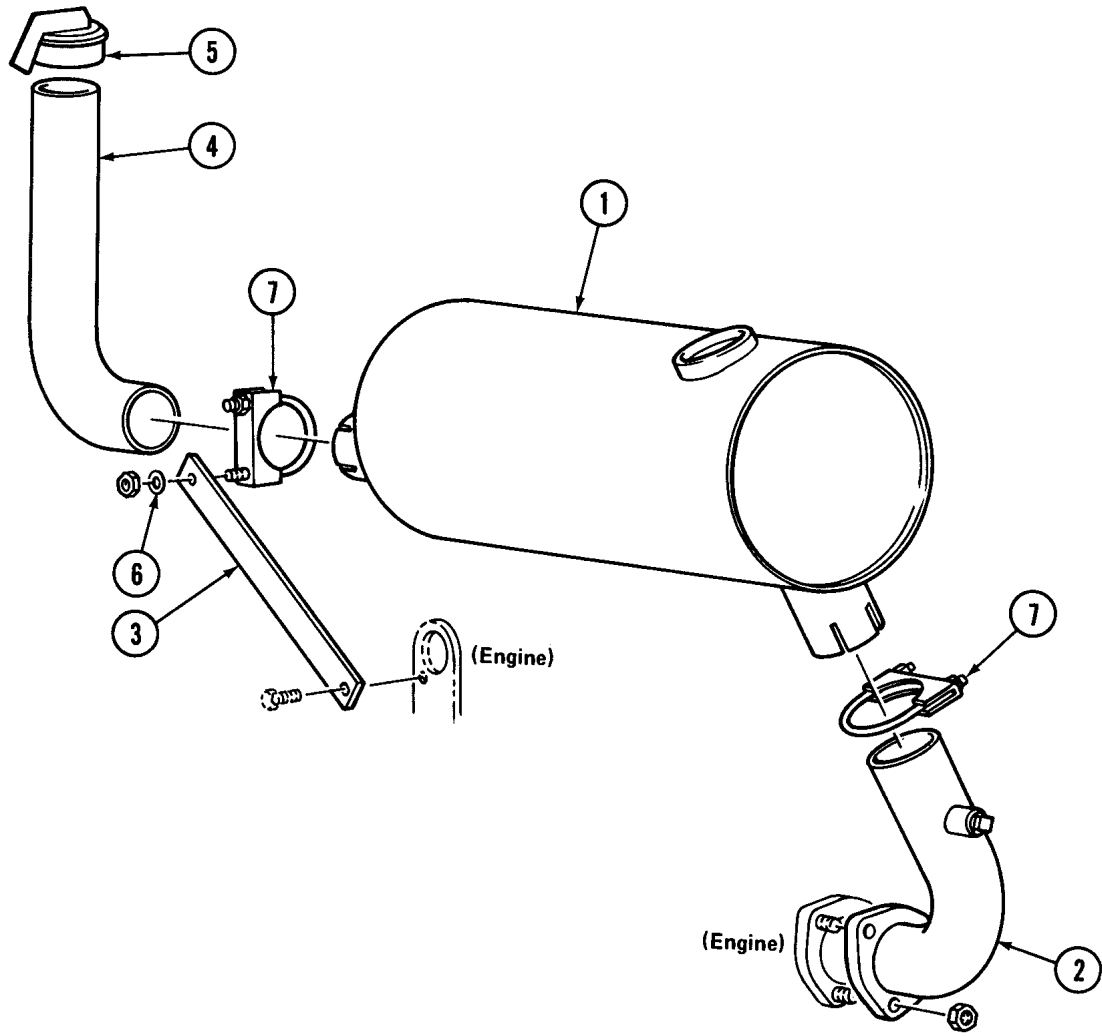
PARTS LIST GROUPS AND COMPONENTS

**MODEL
Q185 E & U**

PART NUMBERS

GROUP NO. 8 BATTERY AND CABLES

REF	PART DESCRIPTION	QTY	STANDARD	
			117-98 3140x & Later	21G117-93 3140x & Before
1	BATTERY	1	117-98	117-93
	TRAY, BATTERY	1	119-351	
	SCREW, SPECIAL	4	34-1512	
	WASHER, FLAT	4	06-3	
	NUT	4	04-102	
2	BOLT, HOLDDOWN	2	34-1539	34-585-1
3	PIN, COTTER	2	07-21	
4	CLAMP, HOLDDOWN	1	119-350-1	83-793
5	WASHER, FLAT	2	06-2	06-68
6	NUT, WING	2	53-380	04-1001
7	NUT, TERMINAL	2	53-762	53-762
8	COVER, TERMINAL	2	14-1447	14-1447
9	PACKING, ANTI-SQUEAK	2	74-148-13	74-148-13
	CABLE, BATTERY, BLACK (-)	1	61-926-3	
10	CABLE, BATTERY, RED (+)	1	61-944-3	(2) 61-856-3
	GROMMET	2	C150-7	



1541PB

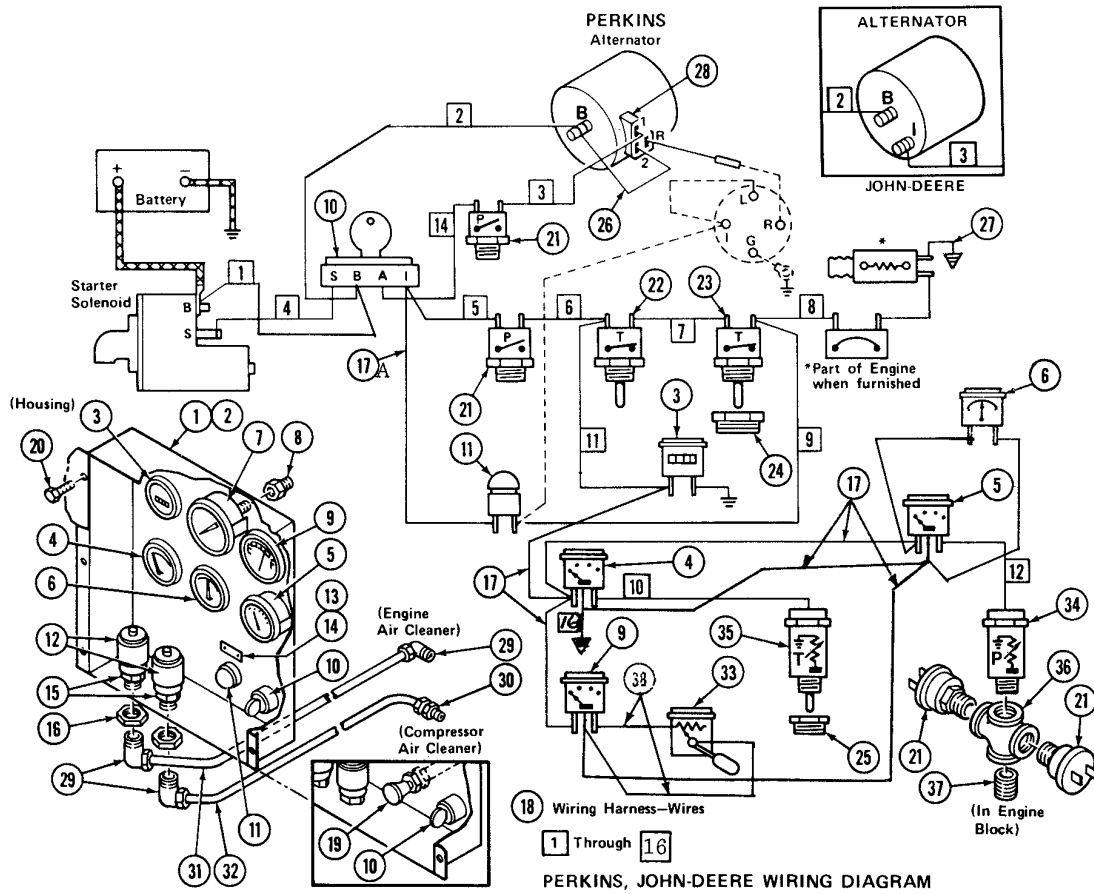
PARTS LIST GROUPS AND COMPONENTS

**MODEL
Q185 E & U**

PART NUMBERS

GROUP NO. 9 MUFFLER

			STANDARD
			6G78-312
1	MUFFLER	1	78-312
2	CONNECTION, EXHAUST	1	A65-2441
3	BRACKET, MUFFLER	1	39-6295
4	PIPE, EXHAUST	1	65-1536
5	CAP, RAIN	1	C4-30
6	WASHER, FLAT	1	06-3
7	CLAMP	2	C83-140



PARTS LIST GROUPS AND COMPONENTS

MODEL Q185 E & U

PART NUMBERS

GROUP NO. 10 INSTRUMENT PANEL			STANDARD	
REF	PART DESCRIPTION	QTY	11G151-442 EARLY MODELS	
1	INSTRUMENT PANEL ASSEMBLY	1	8A151-442 Inc. A to B	
2	PANEL , INSTRUMENT	1	151-442—A	
3	HOURMETER	1	60-589-5	
4	* GAGE, ENGINE COOLANT TEMPERATURE	1	60-589-3	
5	* GAGE, ENGINE OIL PRESSURE	1	60-589-8	
6	* VOLTMETER	1	60-589-2	
7	GAGE, AIR PRESSURE	1	60-585	
8	ORIFICE, DAMPING	1	74-90	
9	* GAGE, FUEL	1	60-589-9	
10	SWITCH, IGNITION/START	1	76-897	
11	SWITCH, STARTING BYPASS	1	76-729	
12	INDICATOR, RESTRICTION, COMPRESSOR	1	60-345	
	INDICATOR, RESTRICTION, ENGINE	1	60-345-1	
17	WIRE ASSEMBLY (INST. FEED & GROUND)	5	A61-912	
17A	WIRE ASSEMBLY ("I" TO BYPASS)	1	A61-306-25	
18	HARNES, WIRING, INCLUDES WIRES 1 THRU 16	1	61-910—B	
20	SCREW, CAP, SPECIAL	6	34-1512	
21	SWITCH, ENGINE OIL PRESSURE (SHUT DOWN AND ALTERNATOR CONTROL)	2	76-913	
22	SWITCH, HIGH DISCHARGE TEMPERATURE SHUT DOWN	1	76-807	
23	SWITCH, ENGINE COOLANT TEMPERATURE SHUT DOWN	1	76-702-2	
24	BUSHING, REDUCER	2	33-823-3	
25	BUSHING, REDUCER	1	33-823	
27	WIRE ASSEMBLY, SOLENOID GROUND	1	A61-901	
29	FITTING	3	H182-383	
30	FITTING	1	H182-358	
31	TUBE	1	55-1654-7	
32	TUBE	1	55-1654-6	
33*	SENDER, FUEL GAGE	1	60-589-14	
34*	SENDER, ENGINE OIL PRESSURE	1	60-589-13	
35*	SENDER, ENGINE COOLANT TEMPERATURE	1	60-589-10	
36	CROSS, PIPE	1	182-182	
37	NIPPLE, PIPE	1	013-1A	
40	WIRE ASSEMBLY	2	A61-306-58	
41	WIRE ASSEMBLY	1	A61-911	

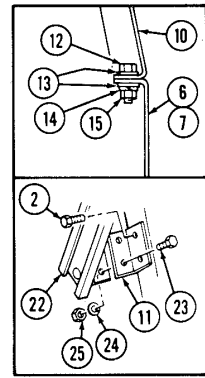
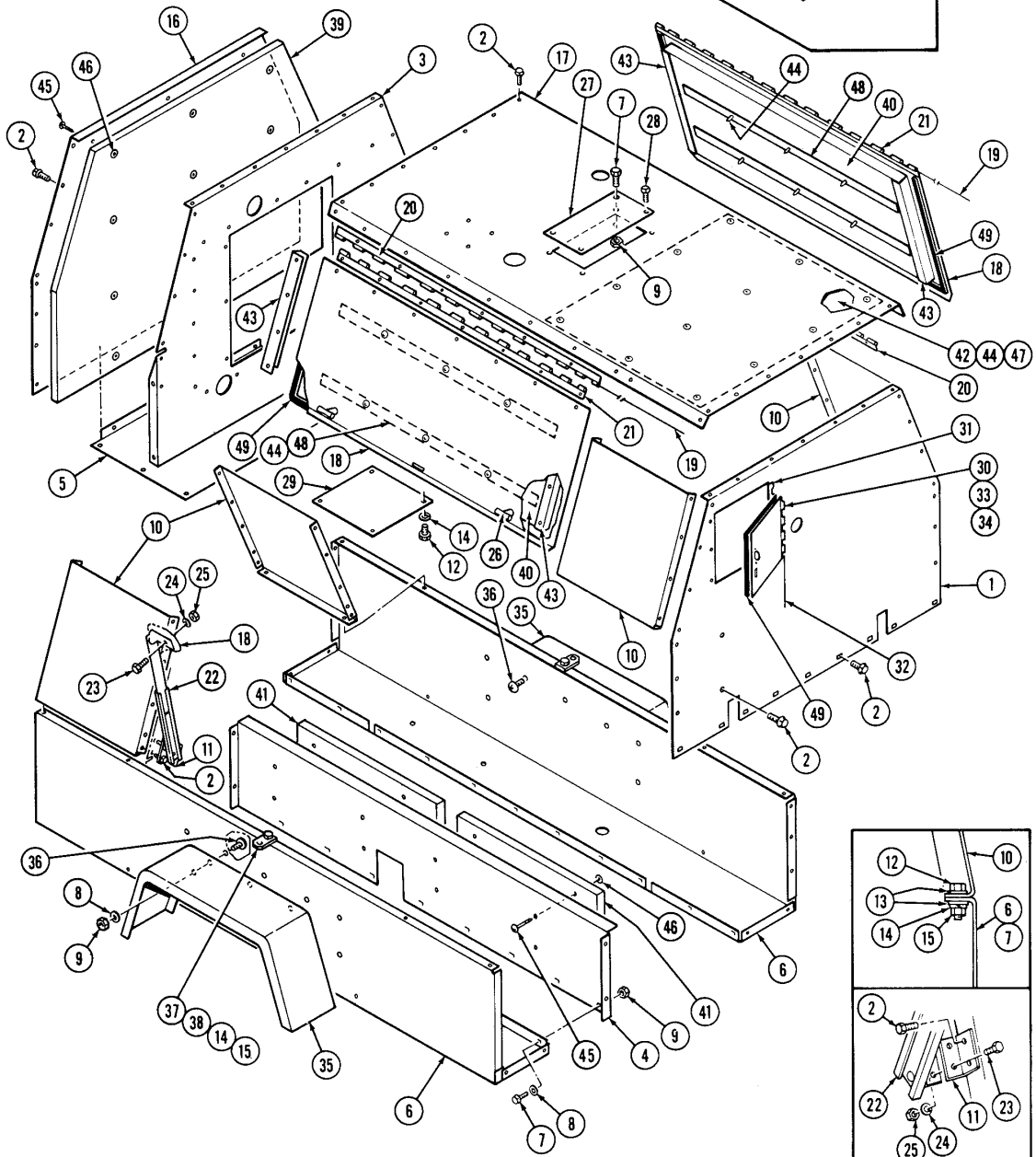
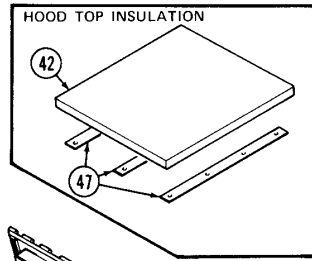
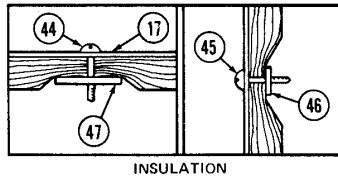
* NOTE: When ordering an engine oil pressure, coolant temperature or fuel gage or sender, the matching gage or sender must be ordered.

PARTS LIST GROUPS AND COMPONENTS

**MODEL
Q185 E & U**

PART NUMBERS

GROUP NO. 10A INSTRUMENT PANEL			STANDARD		
REF	PART DESCRIPTION	QTY	LATER MODELS		
		11G1	151-442		
1	INSTRUMENT PANEL ASSEMBLY	1	8A151-442 Inc. A to B		
2	PANEL, INSTRUMENT	1	151-442—A		
3	VOLTMETER	1	60-589-2		
4	GAGE, ENGINE COOLANT	1	60-589-3		
5	HOURLMETER	1	60-589-5		
6	GAGE, ENGINE OIL PRESSURE	1	60-589-8		
7	GAGE, FUEL	1	60-589-9		
8	GAGE, AIR PRESSURE	1	60-585		
9	ORIFICE, SNUBBER	1	74-90		
10	SWITCH, IGNITION	1	76-1121		
11	SWITCH, STARTING BYPASS	1	76-729		
12	SWITCH, STARTING	1	76-729		
13	NUT	2	53-261		
14	INDICATOR, RESTRICTION	1	60-345-1		
15	INDICATOR, RESTRICTION	1	60-345		
16	WIRING HARNESS	1	61-940		
17	WIRE ASSEMBLY	1	A61-941		
18	BREAKER, CIRCUIT	1	139-264-1		
19	BREAKER, CIRCUIT	1	139-266-1—B		
20	SCREW, SPECIAL	6	34-1512		
21	SWITCH, DISCHARGE TEMPERATURE	1	76-1104		
22	SWITCH, ENGINE COOLANT	1	76-1105		
23	SENDER, ENGINE COOLANT	1	60-589-10		
24	SENDER, FUEL GAGE	1	60-589-14		
25	SOLENOID, STARTING	1	76-1117		
26	SWITCH, ENGINE OIL PRESSURE	2	76-913		
27	SENDER, ENGINE OIL PRESSURE	1	60-589-13		
28	FITTING	3	H182-383		
29	FITTING	1	H182-358		
30	TUBE	1	55-1654-7		
31	TUBE	1	55-1654-6		
32	CROSS, SPECIAL	1	182-182		
33	NIPPLE, PIPE	1	013-1A		
34	WIRE ASSEMBLY	1	A61-306-58		
35	WIRE ASSEMBLY	1	A61-945		
36	SCREW, SPECIAL	5	34-1526		
37	WIRE ASSEMBLY	1	A61-306-222		



1603PB

PARTS LIST GROUPS AND COMPONENTS

**MODEL
Q185 E & U**

PART NUMBERS

GROUP NO. 11 HOUSING			STANDARD	STANDARD
REF	PART DESCRIPTION	QTY	1G68-1945-2 3140x & Later	5G68-1945 3140x & Before
1	PANEL, END	1	68-1945-2	68-1945
2	SCREW, CAP, SPECIAL	23	34-1512	34-1512
3	BAFFLE, RADIATOR	1	68-1944-2	68-1944
2	SCREW, CAP, SPECIAL	13	34-1512	34-1512
4	BAFFLE, TOOL BOX (CURB SIDE)	1	68-1954	68-1954
2	SCREW, CAP, SPECIAL	11	34-1512	34-1512
	BAFFLE, TOOL BOX (STREET SIDE)	1	68-1954-1	
5	BAFFLE, PAN	1	68-1951	68-1951
6	BOX, TOOL (SIDE PANEL)	2	119-338-1	119-338
7	SCREW, CAP	20	34-1512	(18) 34-1512
8	WASHER, FLAT	20	06-3	(18) 06-3
9	NUT	18		04-103
	WASHER, LOCK	18		05-51
	GROMMET	1	C150-7	
10	PANEL, SIDE	4	68-1947-2	68-1947
11	SUPPORT, OPEN DOOR	4		222-1525-1
2	SCREW, CAP, SPECIAL	10	34-1512	34-1512
12	SCREW, CAP	8		02-18
13	WASHER, FLAT	16		06-68
14	WASHER, LOCK	8		05-50
15	NUT	8		04-102
16	PANEL, END	1	68-1946-2	68-1946-2
2	SCREW, CAP, SPECIAL	23	34-1512	34-1512
17	TOP, HOUSING	1	68-2039	68-2039
2	SCREW, CAP, SPECIAL	34	34-1512	34-1512
18	DOOR	2	68-1949	68-1949
19	PIN, HINGE	2	17-638	17-638
20	HINGE	2	221-956-145	221-956-145
21	HINGE	2	221-956-148	221-956-148
2	SCREW, CAP, SPECIAL	30	34-1512	34-1512
22	SUPPORT, DOOR, GAS	4	1-818-2	39-5903
	STUD, CYLINDER	8	105-591	
23	SCREW, CAP, SPECIAL	16		02-4
24	WASHER, LOCK	16		05-49
25	NUT	16		04-101
26	LATCH	4	178-137	178-137
27	COVER, LIFTING BAIL	1		14-1753
7	SCREW, CAP	1		02-34
9	NUT, LOCK	1		53-602
28	SCREW, SPECIAL, SELF-TAPPING	3		34-1448
29	COVER, OIL PAN	1	14-1754	14-1754
12	SCREW, CAP	4	02-18	02-18
14	WASHER, LOCK	4	05-50	05-50
	DOOR, LIFTING BAIL	1	A68-1782	
30	DOOR, INSTRUMENT PANEL	1	A68-1782-1	A68-1782-1
31	HINGE	2	221-956-126	221-956-126
32	PIN, HINGE	2	17-638-52	17-638-52
33	LATCH	2	34-1476	34-1476
34	RIVET	4	126-25	126-25
35	FENDER	2	68-1505-3	68-1505-3
36	SCREW, CAP	14	34-1477	34-1477
8	WASHER, FLAT	14	06-4	06-4
9	NUT, SPECIAL	14	04-103	04-103
	WASHER, LOCK	14	05-51	05-51
37	HASP	3	221-5437-1	221-5437-1
38	SCREW, CAP	2	02-16	02-16
14	WASHER, LOCK	2	05-50	05-50

PARTS LIST GROUPS AND COMPONENTS

**MODEL
Q185 E & U**

PART NUMBERS

GROUP NO. 11 HOUSING			STANDARD	STANDARD
REF	PART DESCRIPTION	QTY	1G68-1945-2 3140x & Later	5G68-1945 3140x & Before
15	NUT	2	04-102	04-102
	KIT, SOUND ABSORPTION PANEL	1	1A124-216 Inc. A to B	
39	PANEL, SOUND ABSORPTION	1	124-216—A	124-176
40	PANEL, SOUND ABSORPTION	2	124-215-1	124-177
	PANEL, SOUND ABSORPTION (LH)	6	124-215-2	
41	PANEL, SOUND ABSORPTION (RH)	1	124-213-4	(2) 124-177-2
	PANEL, SOUND ABSORPTION	1	124-213-5	(2) 124-177-1
42	PANEL, SOUND ABSORPTION	2	124-216-6	
43	PANEL, SOUND ABSORPTION	1	124-215—B	
43	CHANNEL, SUPPORT	4		222-2520
49	CHANNEL, SUPPORT	4	222-2520-1	
	PANEL, SOUND ABSORPTION, AIR OUTLET DUCT, BOTTOM	2		124-177-2
	PANEL, SOUND ABSORPTION, AIR OUTLET DUCT, TOP	2		124-177-2
	COVER, ENGINE MOUNTING, BOTTOM COVER, FRT.	2		14-1767
	SCREW, SPECIAL, COVER	4		34-1448
	COVER, ENGINE MOUNTING, REAR	2		14-1766
	GRILLE, AIR OUTLET	1	68-2015-1	68-2015
2	SCREW, CAP, SPECIAL	6	34-1512	
	COVER, RADIATOR OPENING	1		14-1770
	COVER, UNUSED HOLE (LIGHTS)	2	14-1870	
	SCREW, SPECIAL	6	34-1526	

THIS PAGE LEFT INTENTIONALLY BLANK.

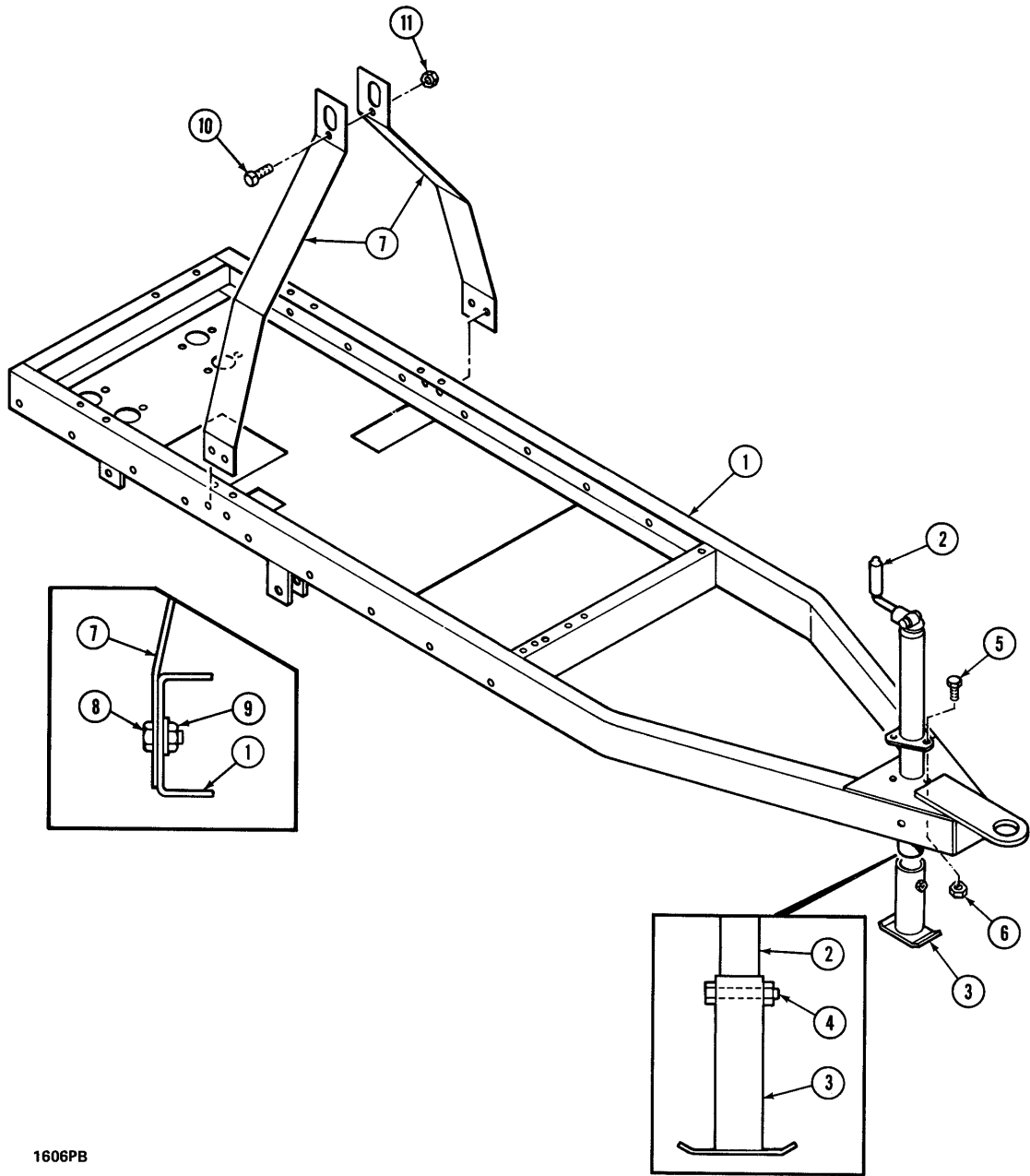
PARTS LIST GROUPS AND COMPONENTS

MODEL Q185 E & U

PART NUMBERS

GROUP NO. 12 FUEL TANK			STANDARD	STANDARD	STANDARD
REF	PART DESCRIPTION	QTY	1G69-855 3140x & Later	G69-824 3140x thru 3140x	1G69-817 3140x & Before
1	TANK, FUEL	1	69-855	69-824	69-817
2	PACKING, TANK BOTTOM	2	74-148-14	74-148-14	74-148-14
3	PACKING, STRAP	1	74-148	74-148	(2) 74-148-9
4	CLAMP (STRAP)	2	A39-6431	(1) A39-6431	(2) A83-917-2
5	SCREW, CAP	2	34-1531	(1) 34-1531	(2) 02-34
	WASHER, FLAT	2	06-69	(1) 06-69	(2) 06-69
6	NUT	2	53-602	(1) 53-602	(2) 53-602
	SCREW, CAP	2	02-20	(1) 02-20	
7	FITTING	1	182-983-3	182-232-1	182-232-1
8	TUBE	2	55-2-5	55-2-5	55-2-5
9	FILTER, FUEL, PRIMARY	1	43-890	43-890	43-890
10	SCREW, CAP, SPECIAL	2	34-1512	34-1512	34-1512
	TUBE	2			55-2-35
11	CLAMP, HOSE	4	83-491-4		83-665
12	HOSE, FUEL	1	73-853-2	73-853-2	73-853-4
13	HOSE, FUEL	1	73-853-4	73-853-4	73-853-3
14	BUSHING, REDUCER	1			013-1061
	FITTING, SPECIAL	2	182-966-1	182-966-1	
15	TUBE, RETURN OR VENT LINE (FITTING)	2	55-1950-1	182-966	55-51-20
16	HOSE	1	73-867	73-867	73-867
17	FITTING	1	182-983-2	182-230	182-209
11	CLAMP	2			83-665
18	PLUG, PIPE	1			011-1
19	PLUG, PIPE	1	011-103	011-204	011-204
20	CAP, FUEL FILLER	1	4-690	4-680	4-680
21	SCREW, FUEL FILLER	1	43-727-2	⊗	
	CAP, FUEL FILLER (OPTIONAL LOCKING)	1	4-691	4-681	4-681
	GAGE, FUEL LEVEL	1	Group 10	Group 10	
	SCREW, GAGE	5	03-1778	03-1778	03-1778
	PLATE	1	33-1303		
	SCREW, SPECIAL	4	03-127		

⊗ = PART OF TANK.



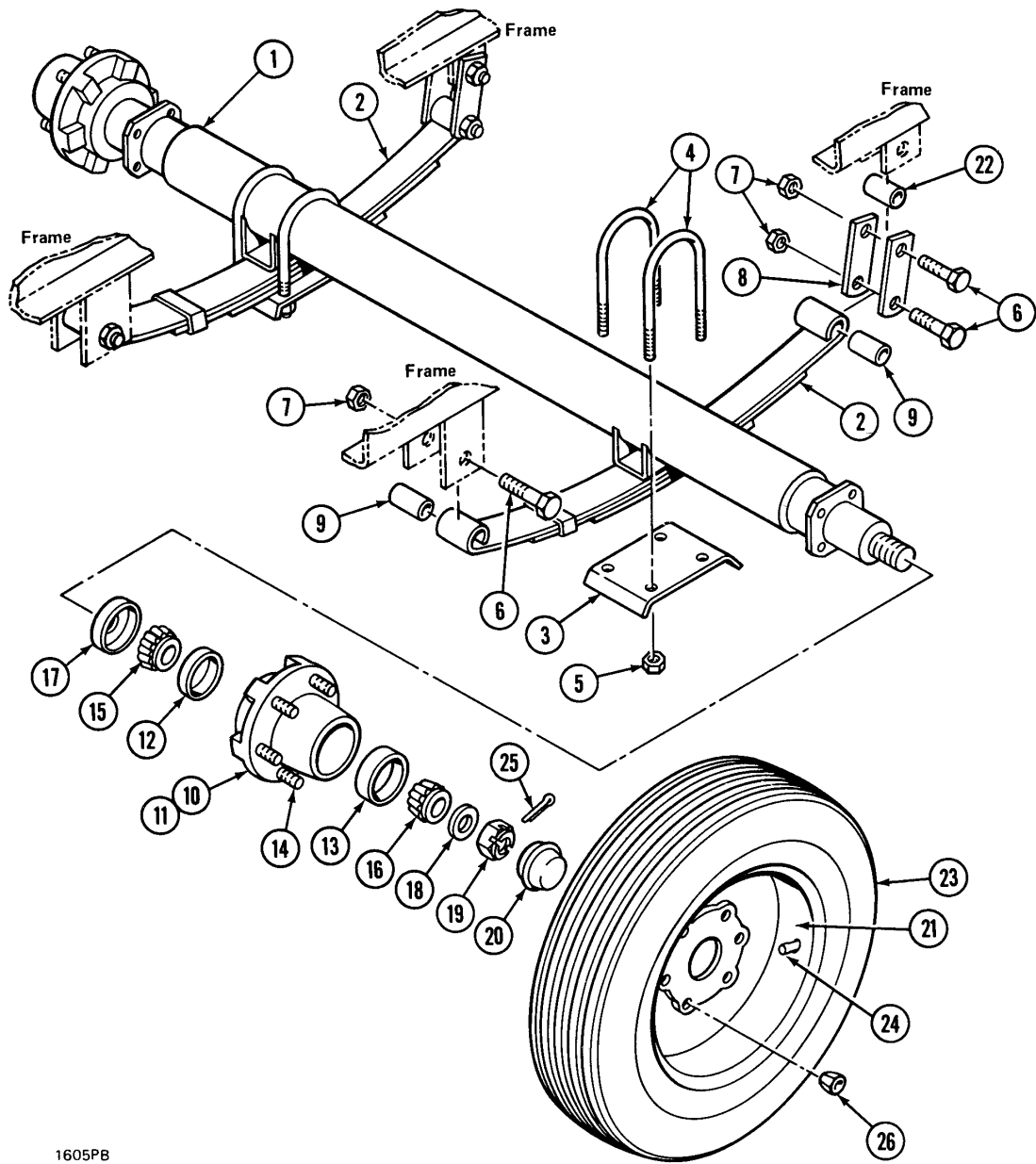
1606PB

PARTS LIST GROUPS AND COMPONENTS

**MODEL
Q185 E & U**

PART NUMBERS

GROUP NO. 13 FRAME – LIFTING BAIL - JACKSTAND			STANDARD	STANDARD	STANDARD
REF	PART DESCRIPTION	QTY	G118-1154-1 3140x & Later	G118-1154 3140x thru 3140x	G118-1124 3140x & Before
1	FRAME (WELD) "E"	1	A118-1154-1	A118-1154	A118-1124
2	JACKSTAND	1	88-672	88-621	88-621
3	FOOT, JACKSTAND	1		A88-621-1	A88-621-1
4	SCREW, CAP (FOOT RETAINER)	1		02-6	02-6
5	SCREW, CAP	3		02-36	02-69
6	NUT, SPECIAL	3		04-103	04-103
	WASHER, LOCK	3		05-51	05-51
7	BAIL, LIFTING	2	103-245	103-245	103-245
8	SCREW, CAP, SPECIAL	4	34-1443	34-1443	34-1443
9	NUT, SPECIAL	4	53-678	53-678	53-763
10	SCREW, CAP	1	02-55	02-20	02-20
11	NUT	1	04-104	04-102	04-102
	WASHER, LOCK	1	05-52		
	COUPLER, HITCH, BALL	1	28-245	28-545	
	SPACER	1	22-1093	22-1093	
	SCREW, CAP, SMALL	2	34-1403	34-1403-2	
	NUT, SPECIAL	2		53-763-2	
	KIT, TOW CHAIN	1	A87-87	A87-87	A87-87
	CHAIN, SAFETY TOW	2	Inc. A to B	Inc. A to B	Inc. A to B
	HOOK	2	87-87—A	87-87—A	87-87—A
	LATCH	2	103-260	103-260	103-260
	BOLT, "U"	2	178-167—B	178-167—B	178-167—B
	NUT	1	34-1540	34-1540	34-1540
	NUT	2	04-21	04-21	04-21
	NUT, SPECIAL	2	53-766-1	53-766-1	53-766-1



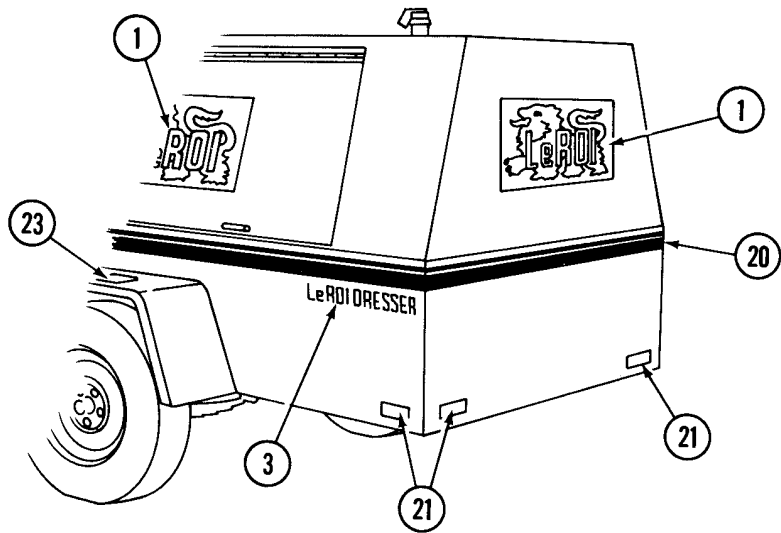
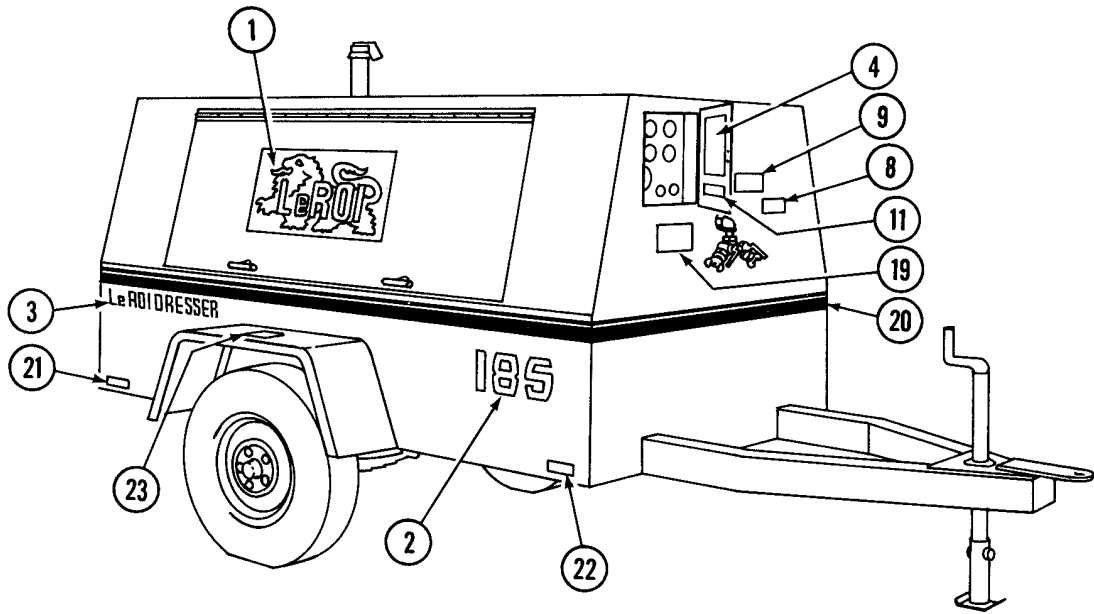
1605PB

PARTS LIST GROUPS AND COMPONENTS

**MODEL
Q185 E & U**

PART NUMBERS

GROUP NO. 14 RUNNING GEAR			STANDARD
REF	PART DESCRIPTION	QTY	G130-187 3140x & All
	AXLE ASSEMBLY	1	A130-187 Inc. A to D
1	AXLE, WITH FLANGES	1	220-237-1—A
2	SPRING	2	220-237-4
3	PLATE, CLAMP	2	220-237-5
4	U-BOLT	4	220-237-6
5	NUT	8	220-237-7
6	BOLT, SHACKLE	6	220-237-10
7	NUT, SHACKLE	6	220-237-11
8	PLAATE, SHACKLE	4	220-237-12
9	BUSHING, SPRING, EYE	4	220-237-2
10	HUB ASSEMBLY	2	220-237-13 Inc. B to C
11	HUB	2	220-237-13—B
12	CUP, BEARING, INNER	2	220-237-14
13	CUP, BEARING, OUTER	2	220-237-15
14	STUD (BOLT)	10	220-237-25—C
15	CONE, BEARING, INNER	2	220-237-16
16	CONE, BEARING, OUTER	2	220-237-17
17	SEAL, HUB	2	220-237-18
18	WASHER, SPINDLE	2	220-237-19
19	NUT, SPINDLE	2	220-237-20
20	CAP, GREASE	2	220-237-21
21	WHEEL	2	220-237-22
22	BUSHING, SHACKLE	2	220-237-3—D
23	TIRE	2	155-152
24	VALVE, TIRE	2	155-142
25	PIN, COTTER	2	07-48
26	NUT	10	220-237-23
	KIT, BRAKE, HYDRAULIC SURGE	1	A204-1081 Inc. A to B
	HUB AND DRUM ASSEMBLY	2	132-218—A
	ACTUATOR, SURGE	1	141-114
	BRAKE ASSEMBLY, RH	1	141-119
	BRAKE ASSEMBLY, LH	1	141-119-1
	KIT, PIPING	1	204-1073—B



1547PB

PARTS LIST GROUPS AND COMPONENTS

MODEL Q185 E & U

PART NUMBERS

GROUP NO. 15 DECALS AND LABELS			STANDARD	STANDARD
REF	PART DESCRIPTION	QTY	62-778-1 3140x & Later	21G62-778-1 3140x & Before
1	DECAL, LeROI LION	3	62-778-1	62-778-1
2	DECAL, "185"	2	62-975	62-975
3	DECAL, CORPORATE MARK	1	62-1184	62-1184
4	PLATE, INSTRUCTION	1	62-1076	62-1076
5	PLATE, FLUID LEVELS (CURBSIDE SHROUD)	1	62-1155	62-1077-4
6	DECAL, OIL, COMPRESSOR (NEAR FILLER)	1	62-618	62-618
7	DECAL, CAUTION RECEIVER CAP (RECEIVER)	1	62-839	62-839
8	DECAL, CAUTION RELIEF VALVE (RECEIVER)	1	62-1078	62-1078
9	DECAL, DANGER, AIR DISCHARGE	1	62-1071	62-1071
10	DECAL, CAUTION RADIATOR (SHROUD)	1	62-1072	62-1072
11	DECAL, SHUT DOWN ENGINE	1	62-1073	62-1073
12	DECAL, CAUTION FAN SHROUD, (CURBSIDE)	1	62-1074	62-1074
13	LABEL, POSITIVE (BATTERY)	1	62-619	62-619
14	LABEL, NEGATIVE (BATTERY)	1	62-620	62-620
15	PLATE, BATTERY INSTRUCTION (NEAR BATTERY)	1	62-621	62-621
16	DECAL, FUEL TYPE (FUEL FILLER)	1	62-349	62-349
17	"DO NOT FILL" (FUEL FILLER)	1	62-858	62-858
18	DECAL, SAFETY	1	62-848	62-848
19	PLATE, NOISE EMISSION	1	N/A	N/A
20	STRIPE, MULTIPLE, FT.	26	62-976	(24) 62-976
21	REFLECTOR, RED	4	199-20	199-20
22	REFLECTOR, AMBER	2	199-20-1	199-20-1
23	DECAL, CAUTION TOWING	2	62-1011	62-1011
	PLATE, AIR CLEANER REST. (ENGINE)	1	62-737	62-737
	PLATE, AIR CLEANER REST. (COMPRESSOR)	1	62-738	62-738
	DECAL, "PUSH TO BYPASS"	1	62-1192	62-1192
	DECAL, "START"	1	62-828	62-828
	DECAL, COMPRESSOR LUBRICANT	1	62-646	62-646
	N/A = NOT AVAILABLE.			