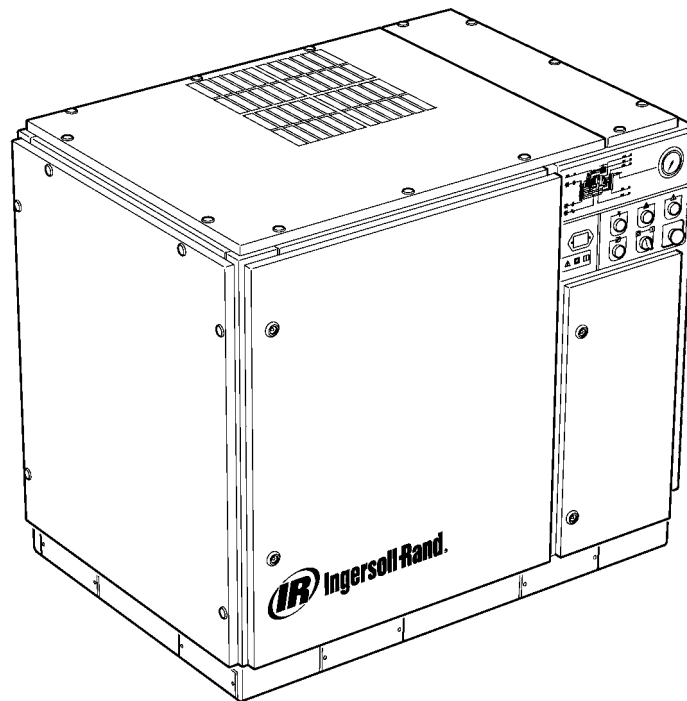




**60Hz UP6 15, UP6 20, UP6 25, UP6 30**



en	PARTS CATALOGUE
fr	CATALOGUE DE PIÈCES DÉTACHÉES
pt	LISTA DE PEÇAS
es	LISTA DE REPUESTOS
zh	零件目录

C.C.N : 22083745  
REV. : C  
DATE : JANUARY 2005



Page	Description	'T' N°	Page	Description	'T' N°	Page	Description	'T' N°
1	Enclosure	T5741	9	Separation System	T5744	22	Documentation	
2	Motor Assembly 60Hz	T5742	10	Tank Assembly 60Hz	T5747	23	Recommended Parts	
5	Airend Assembly	T5743	11	Instrumentation / Electrical System	T5748	38	CCN Index	
6	Cooling System	T5745						
8	Control Piping	T5746						

## ABBREVIATIONS & SYMBOLS

->####	Up to Serial No.	cs	Czech
####->	From Serial No.	da	Danish
####	Contact Ingersoll-Rand for Serial No.	de	German
*	Not illustrated	el	Greek
†	Option	en	English
NR	Not required	es	Spanish
AR	As required	et	Estonian
SM	Sitemaster/Sitepack	fi	Finnish
HA	High ambient machine	fr	French
WC	Watercooled machine	hu	Hungarian
AC	Aircooled machine	it	Italian
ERS	Energy recovery system	lt	Lithuanian
T.E.F.C.	Totally enclosed fan cooled motor (IP55)	lv	Latvian, Lettish
O.D.P.	Open drip proof (motor)	mt	Maltese
		nl	Dutch
		no	Norwegian
		pl	Polish
		pt	Portuguese
		sk	Slovak
		sl	Slovenian
		sv	Swedish
		zh	Chinese

### General

This manual, which contains an illustrated parts breakdown, has been prepared as an aid in identifying and ordering parts for the machine. All of the parts, listed in the parts breakdown, are manufactured with the same precision as the original equipment.

Ingersoll-Rand Company service facilities and parts are available worldwide. There are Ingersoll-Rand Company Branch Offices and authorised distributors located in the principle cities of the United States. In Canada, our customers are serviced by the Canadian Ingersoll-Rand Company, Limited. There are also Ingersoll-Rand Company subsidiaries and authorised distributors located in the principle cities throughout the world.

### Description

The illustrated parts breakdown identifies the various assemblies, sub-assemblies and detailed parts which make up this machine.

A series of illustrations show each part clearly and in its correct location relative to the other parts in the illustration. Each part in an illustration is referenced with a number. The number, description and quantity needed per assembly are listed in numerical order on the following pages.

#### How to use this parts manual

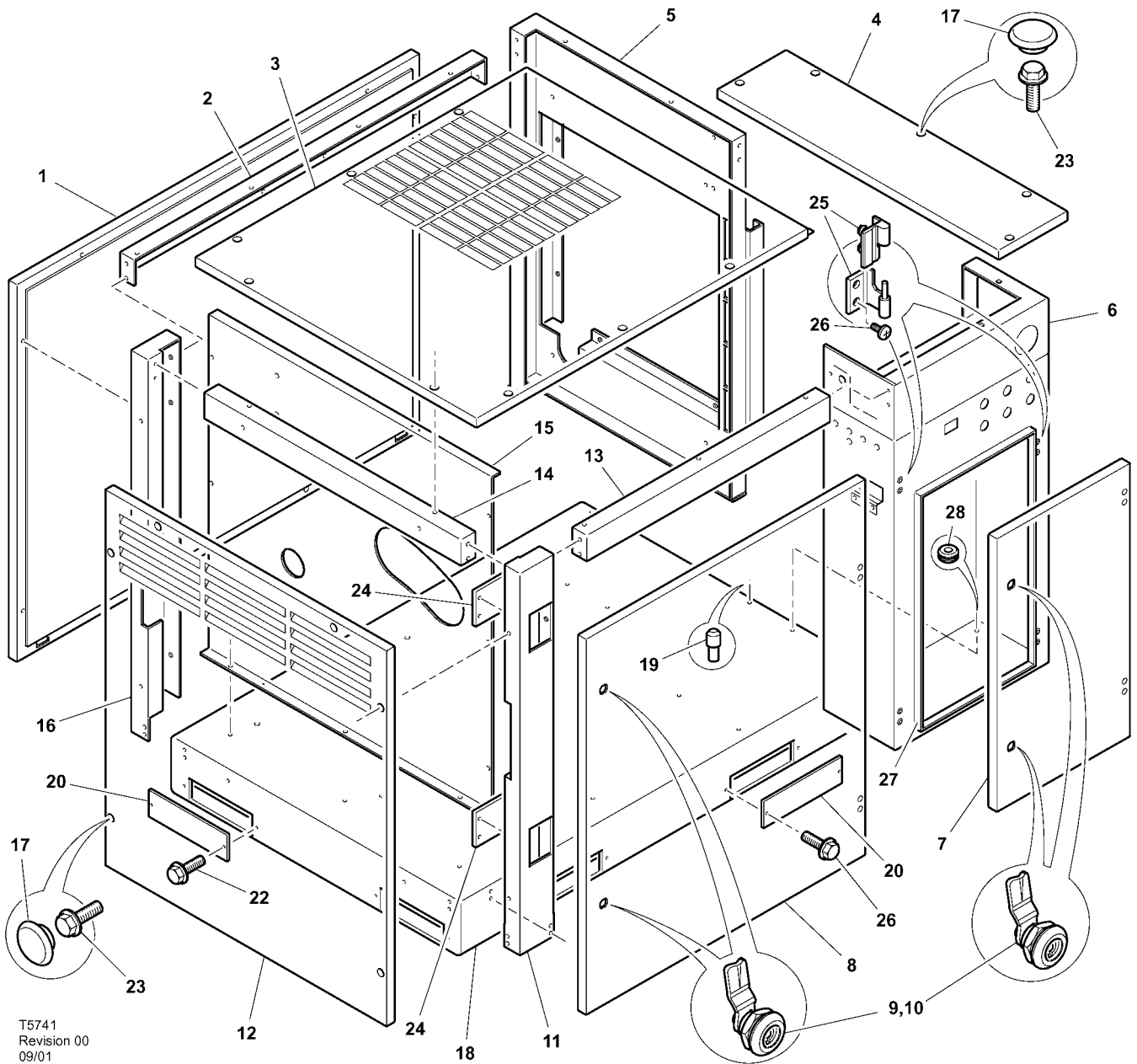
1. Locate the desired illustration.
2. Locate the part on the illustration by visual identification and note the reference number.
3. Find the reference number on the tabulated page, along with the Part Number and Description.

### How to order parts

In order that all avoidable errors be eliminated when ordering parts, please specify the following:

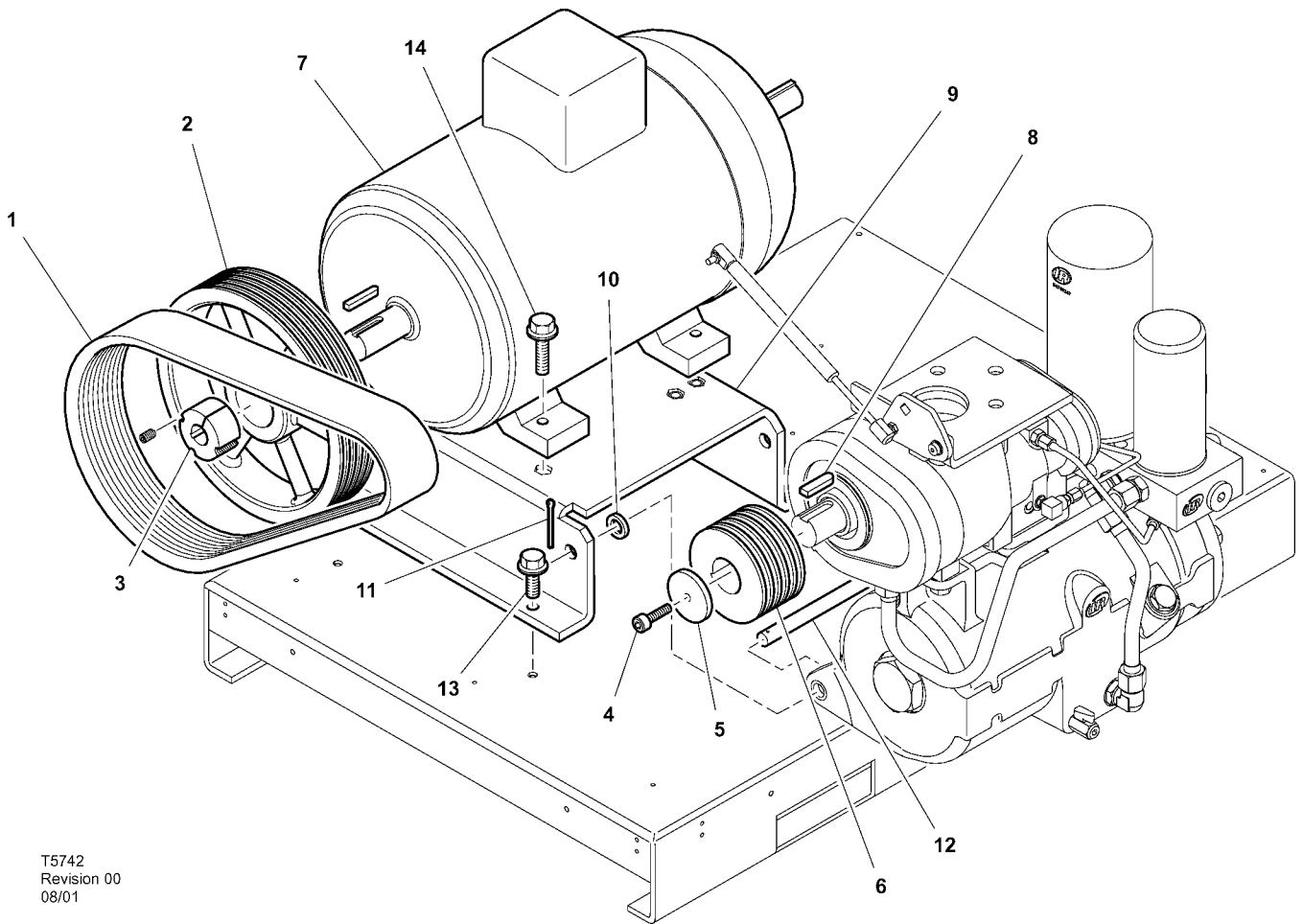
1. The model number of the unit as shown on the Compressor Data Plate.
2. The serial number of the unit as shown on the Compressor Data Plate.
3. The part number of this manual.
4. The part number, description and quantity needed exactly as listed.
5. The motor data code shown on the motor data plate.

# 1 ENCLOSURE



T5741  
Revision 00  
09/01

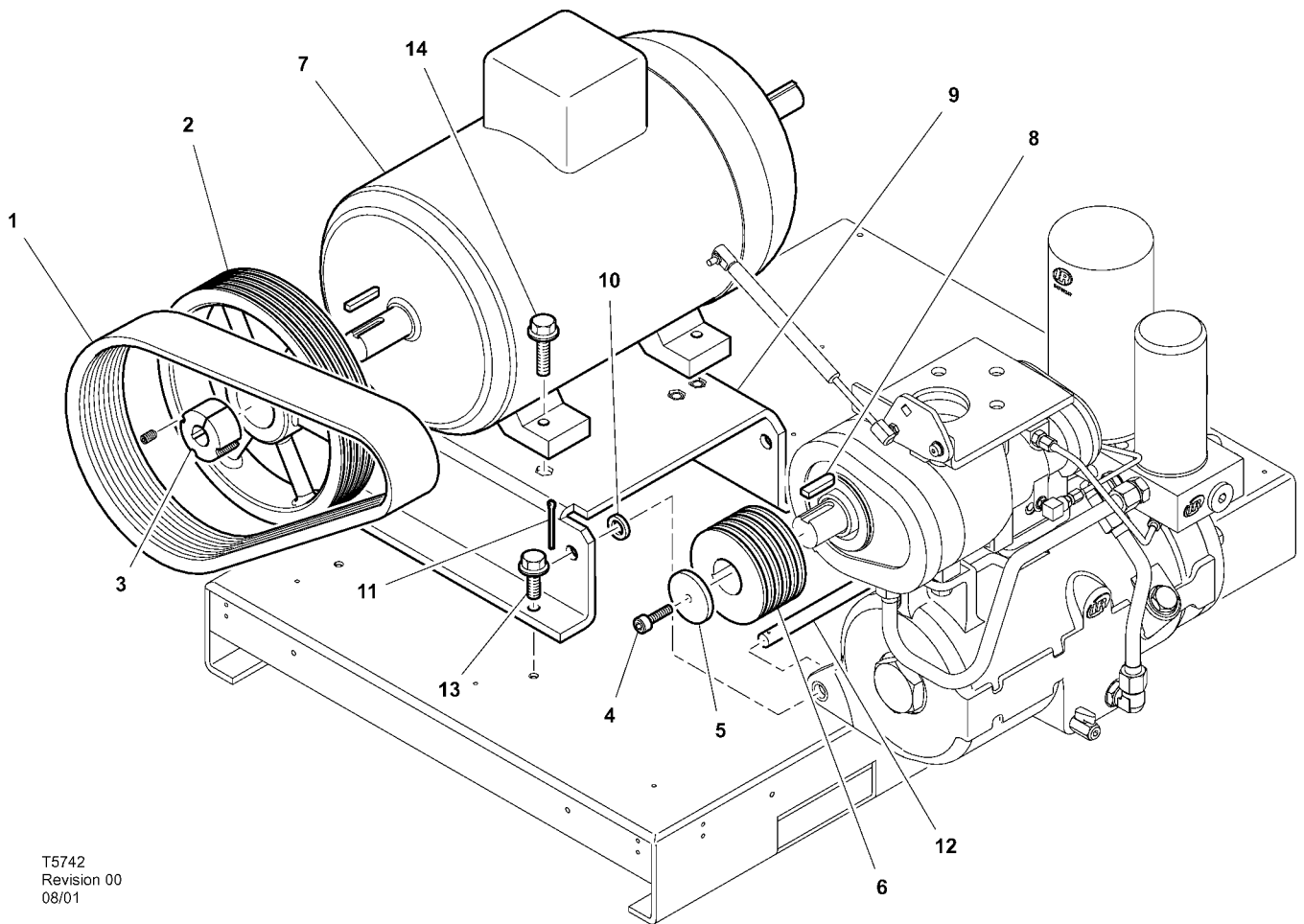
Item	ccn	Qty.	Description	Item	ccn	Qty.	Description
1	22066195	1	Panel assembly rear	14	54747761	1	Channel
2	22093025	1	Channel	15	22099626	1	Guard, sheave assembly
3	22097562	1	Panel assembly top	16	54747753	1	Corner
4	22066211	1	Panel assembly top	17	22053433	25	Plug
5	22095251	1	Corner 25-30hp / 20-25hp-HA	18	54754163	1	Base
	22132336	1	Corner 20hp / 15hp HA	19	39738490	7	Pin, locating
6	22158612	1	Cabinet	20	22058580	8	Plate, cover
7	22158877	1	Cabinet door	*21	39117312	AR	Gasket
8	22097570	1	Panel assembly front	22	92368687	AR	Screw
9	85584340	4	Latch	23	96742689	AR	Screw
*9a	93492072	4	Seal	24	22089601	2	Guard
*10	92829308	1	Key	25	22091193	4	Hinge
11	54747746	1	Corner	26	96743992	8	Screw
12	22067052	1	Panel assembly left	27	22158935	1	Gasket, door
13	22092886	1	Channel	28	22160030	4	Grommet



T5742  
Revision 00  
08/01

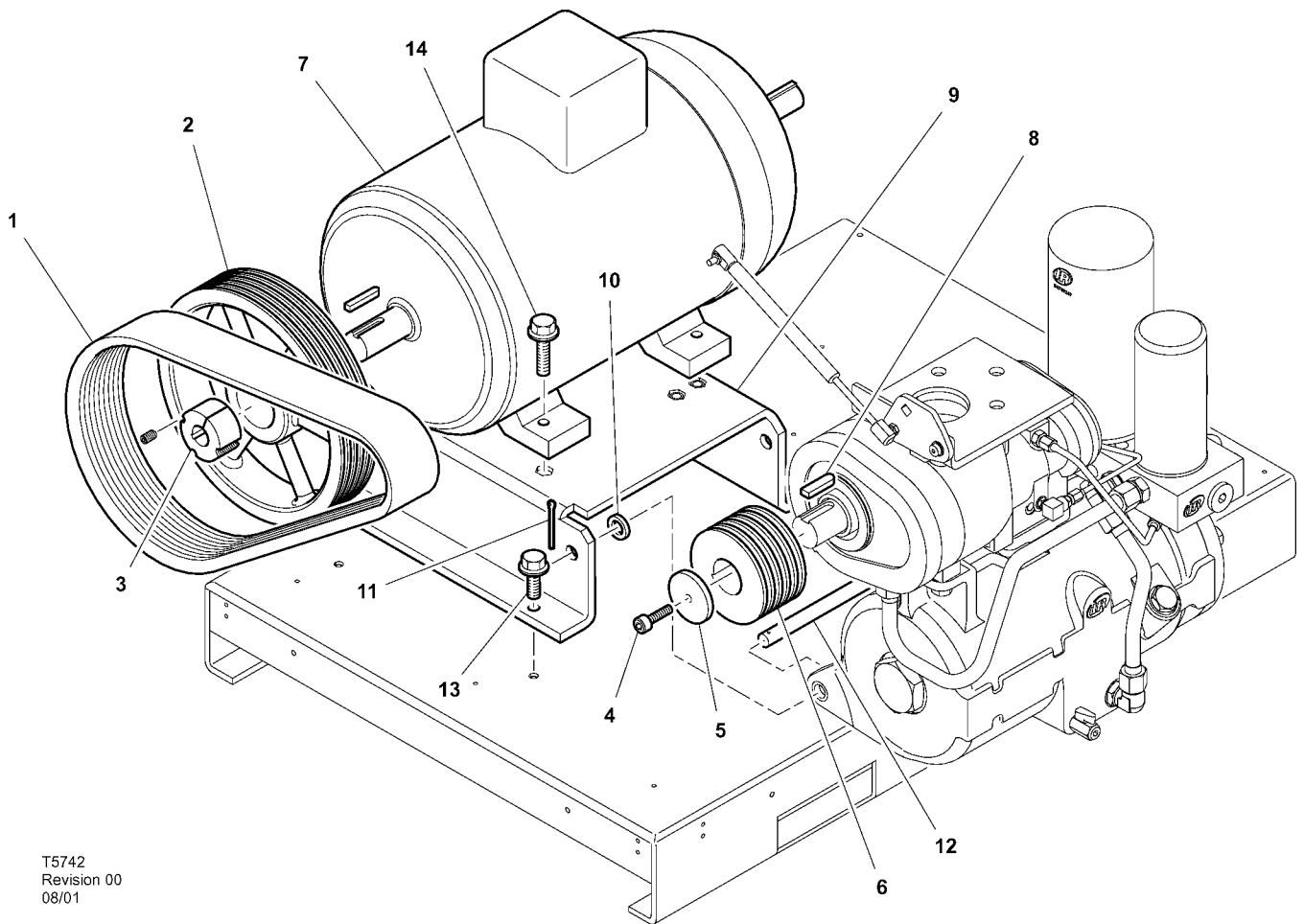
Item	ccn	Qty.	Description	Item	ccn	Qty.	Description
1	22108393	1	Belt, drive UP6 15hp 125psi UP6 20hp 200psi	5	92751130	1	Plate, retaining
	22108427	1	Belt, drive UP6 15hp 150psi	6	22178057	1	Sheave, driven (Compressor) UP6 15hp 125psi UP6 20hp 200psi
	89265060	1	Belt, drive UP6 20hp 125psi	22178065	1	Sheave, driven (Compressor) UP6 15hp 150psi	
	89265078	1	Belt, drive UP6 20hp 150psi	22107536	1	Sheave, driven (Compressor) UP6 20hp 125psi	
	89265052	1	Belt, drive UP6 25hp 125psi UP6 30hp 150psi	22178040	1	Sheave, driven (Compressor) UP6 20hp 150psi	
	89265060	1	Belt, drive UP6 25hp 150psi UP6 30hp 125 / 200psi	22107585	1	Sheave, driven (Compressor) UP6 25hp 125psi	
	89265078	1	Belt, drive UP6 25hp 200psi	22107593	1	Sheave, driven (Compressor) UP6 25hp 150psi	
2	22108351	1	Sheave, drive (Motor) UP6 15hp 125 / 150psi UP6 20hp 125 / 150 / 200psi	22107601	1	Sheave, driven (Compressor) UP6 25hp 200psi	
	22108369	1	Sheave, drive (Motor) UP6 30hp 125 / 150psi	22107619	1	Sheave, driven (Compressor) UP6 30hp 125psi	
3	22083448	1	Bush	22107627	1	Sheave, driven (Compressor) UP6 30hp 150psi	
4	96703186	1	Screw	22107635	1	Sheave, driven (Compressor) UP6 30hp 200psi	

### 3 MOTOR ASSEMBLY 60Hz



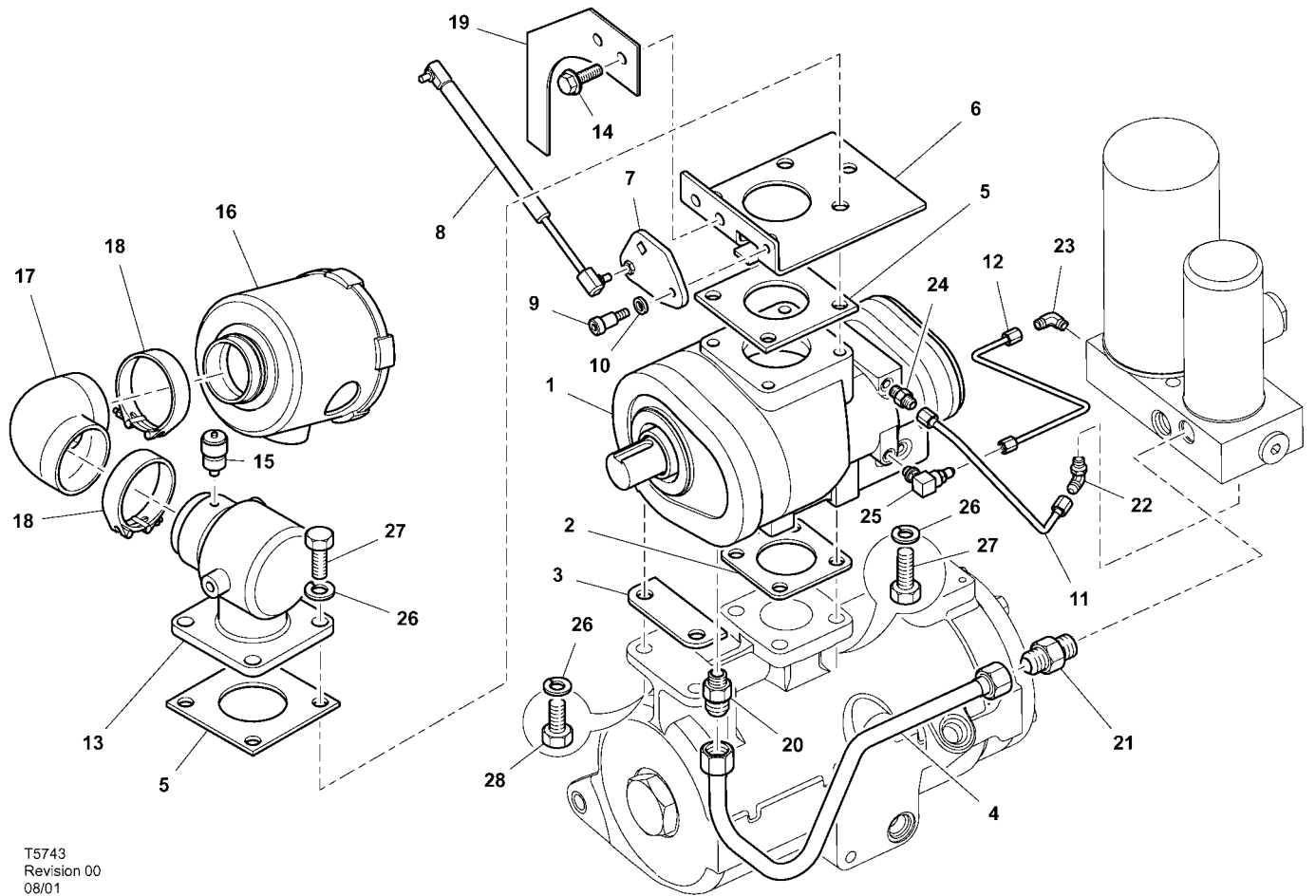
T5742  
Revision 00  
08/01

Item	ccn	Qty.	Description	Item	ccn	Qty.	Description
7	22234157	1	Motor 15hp 200V 60Hz ODP	54735436	1	Motor 20hp / 15hp-HA 200V 60Hz TEFC	
	22234116	1	Motor 15hp 200V 60Hz TEFC	54735378	1	Motor 20hp / 15hp-HA 230/460V 60Hz ODP	
	22234140	1	Motor 15hp 230/460V 60Hz ODP	54735428	1	Motor 20hp / 15hp-HA 230/460V 60Hz TEFC	
	22234108	1	Motor 15hp 230/460V 60Hz TEFC	54735402	1	Motor 20hp / 15hp-HA 380V 60Hz ODP	
	22234165	1	Motor 15hp 380V 60Hz ODP	54735451	1	Motor 20hp / 15hp-HA 380V 60Hz TEFC	
	22234124	1	Motor 15hp 380V 60Hz TEFC	54735410	1	Motor 20hp / 15hp-HA 575V 60Hz ODP	
	22234173	1	Motor 15hp 575V 60Hz ODP	54735469	1	Motor 20hp / 15hp-HA 575V 60Hz TEFC	
	22234132	1	Motor 15hp 575V 60Hz TEFC	54735485	1	Motor 25hp / 20hp-HA 200V 60Hz ODP	
	54735386	1	Motor 20hp / 15hp-HA 200V 60Hz ODP	54735535	1	Motor 25hp / 20hp-HA 200V 60Hz TEFC	



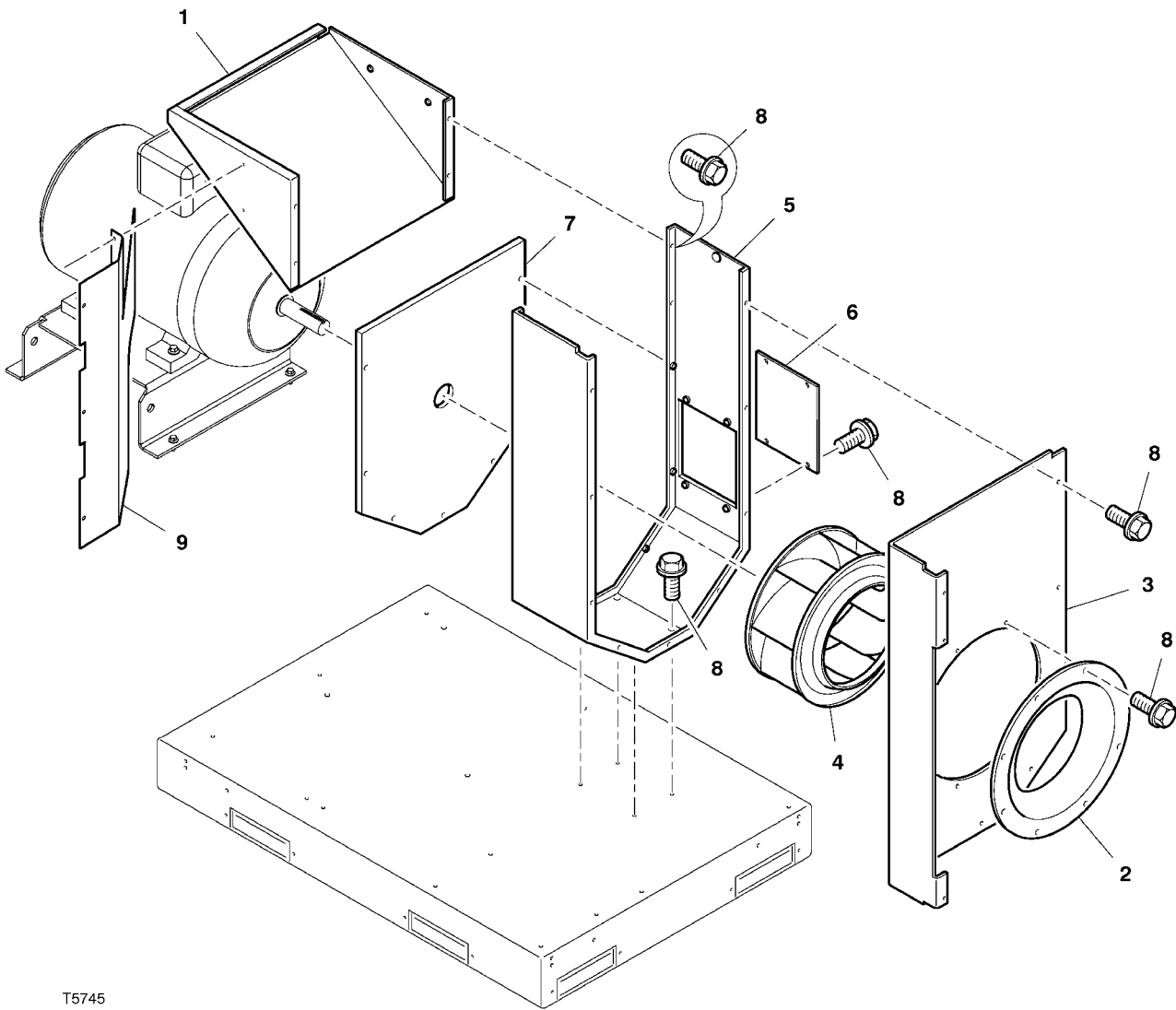
T5742  
Revision 00  
08/01

Item	ccn	Qty.	Description	Item	ccn	Qty.	Description
7	54735477	1	Motor 25hp / 20hp-HA 230/460V 60Hz ODP	54735626	1	Motor 30hp / 25hp-HA 230/460V 60Hz TEFC	
	54735527	1	Motor 25hp / 20hp-HA 230/460V 60Hz TEFC	54735600	1	Motor 30hp / 25hp-HA 380V 60Hz ODP	
	54735501	1	Motor 25hp / 20hp-HA 380V 60Hz ODP	54735659	1	Motor 30hp / 25hp-HA 380V 60Hz TEFC	
	54735550	1	Motor 25hp / 20hp-HA 380V 60Hz TEFC	54735618	1	Motor 30hp / 25hp-HA 575V 60Hz ODP	
	54735519	1	Motor 25hp / 20hp-HA 575V 60Hz ODP	54735667	1	Motor 30hp / 25hp-HA 575V 60Hz TEFC	
	54735568	1	Motor 25hp / 20hp-HA 575V 60Hz TEFC	8	88101209	1	Key
	54735584	1	Motor 30hp / 25hp-HA 200V 60Hz ODP	9	54720511	1	Support 256 Frame motors
	54735634	1	Motor 30hp / 25hp-HA 200V 60Hz TEFC	54720529	1	Support 280 Frame motors	
	54735576	1	Motor 30hp / 25hp-HA 230/460V 60Hz ODP	10	39224209	1	Spacer
				11	95231494	2	Pin
				12	54740451	1	Rod
				13	96737556	4	Screw
				14	96738406	4	Screw 256 Frame motors
					96741814	4	Screw 280 Frame motors



T5743  
Revision 00  
08/01

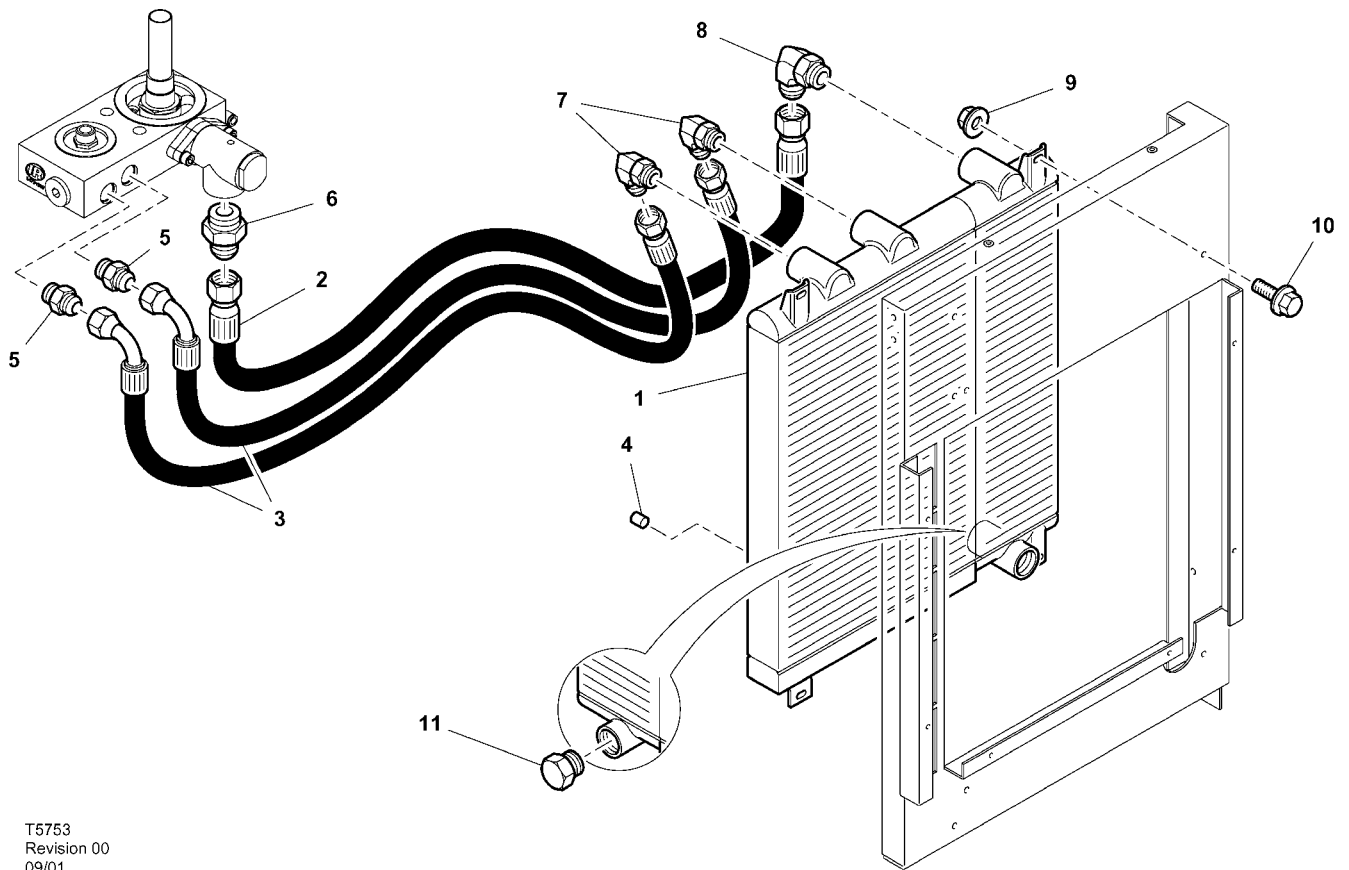
Item	ccn	Qty.	Description	Item	ccn	Qty.	Description
1	54774989	1	Airend	15	22097208	1	Indicator, air restriction
2	39570999	1	Gasket	16	89265300	1	Filter assembly
3	54740386	1	Gasket	17	89295935	1	Hose
4	85581866	1	Tube assembly	18	35295799	2	Clamp
5	39494794	2	Gasket	19	22065890	1	Guard
6	54749106	1	Bracket	20	22062376	1	Adaptor
7	54749098	1	Plate	21	95952867	1	Connector
8	54749114	1	Spring, gas	22	95993572	1	Elbow
9	96728233	1	Screw	23	95937686	1	Elbow
10	96701404	1	Washer	24	96739701	1	Connector
11	85581858	1	Tube assembly	25	54775556	1	Check valve, orifice
12	85581882	1	Tube assembly	26	96721097	10	Washer, Spring
13	54747399	1	Valve, unloader	27	96738513	8	Screw
*13a	22067177	1	Kit, unloader valve	28	96703186	2	Screw
14	92368687	2	Screw				



T5745  
Revision 00  
08/01

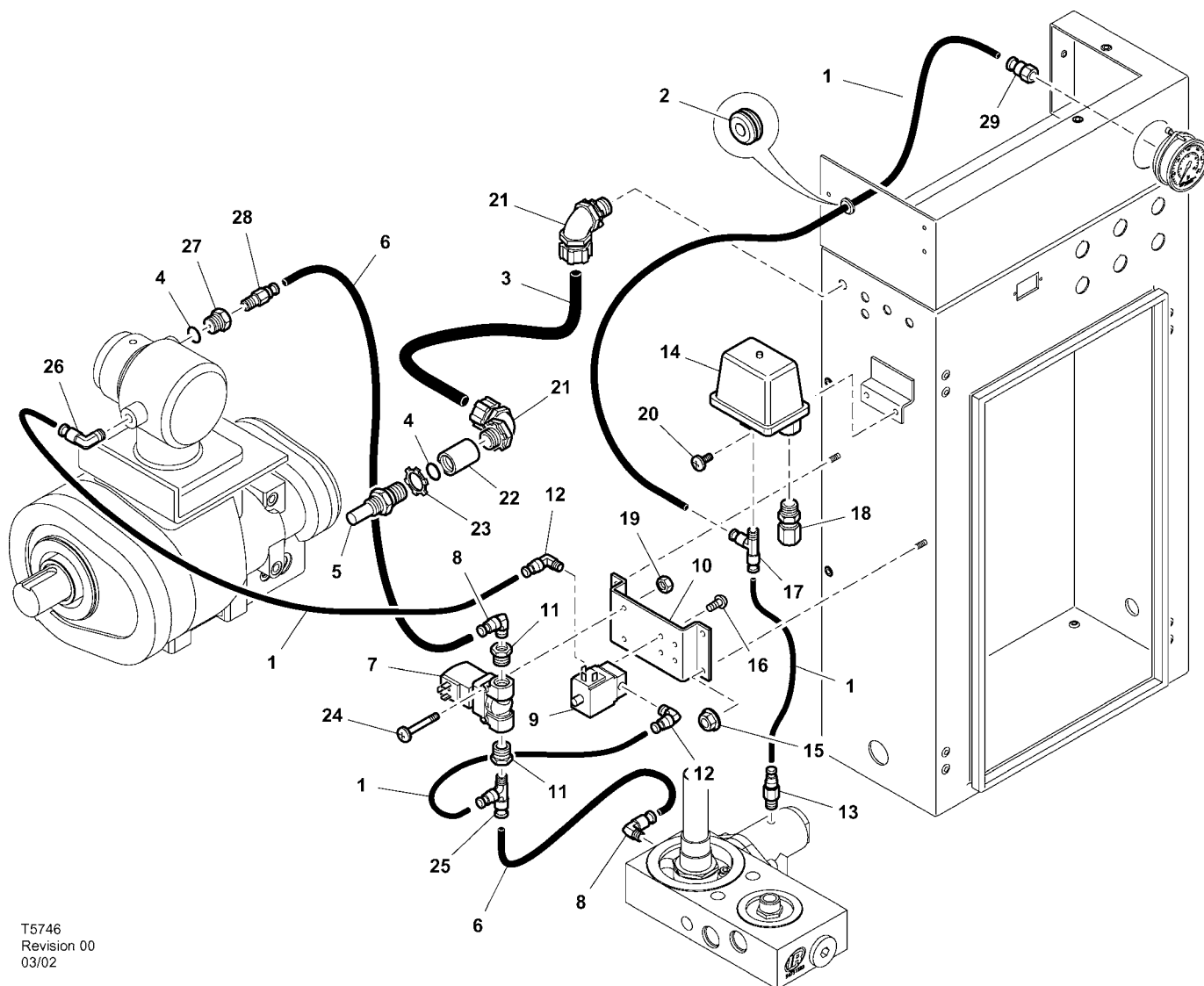
Item	ccn	Qty.	Description	Item	ccn	Qty.	Description
1	22099873	1	Chute assembly	5	22113195	1	Shroud assembly
2	54747423	1	Cone, 25-30hp / 20-25hp-HA	*	85584365	1	Foam
	22138499	1	Cone, 15-20hp / 15hp-HA	6	54754296	1	Cover
3	22113203	1	Plenum assembly 25-30hp / 20-25hp-HA	7	22099840	1	Cover assembly
	22159099	1	Plenum assembly 15-20hp / 15hp-HA	8	92368687	AR	Screw
4	54747597	1	Blower 25-30hp / 20-25hp-HA	9	22099881	1	Baffle assembly
	22138481	1	Blower 15-20hp / 15hp-HA				

# 7 COOLING SYSTEM



T5753  
Revision 00  
09/01

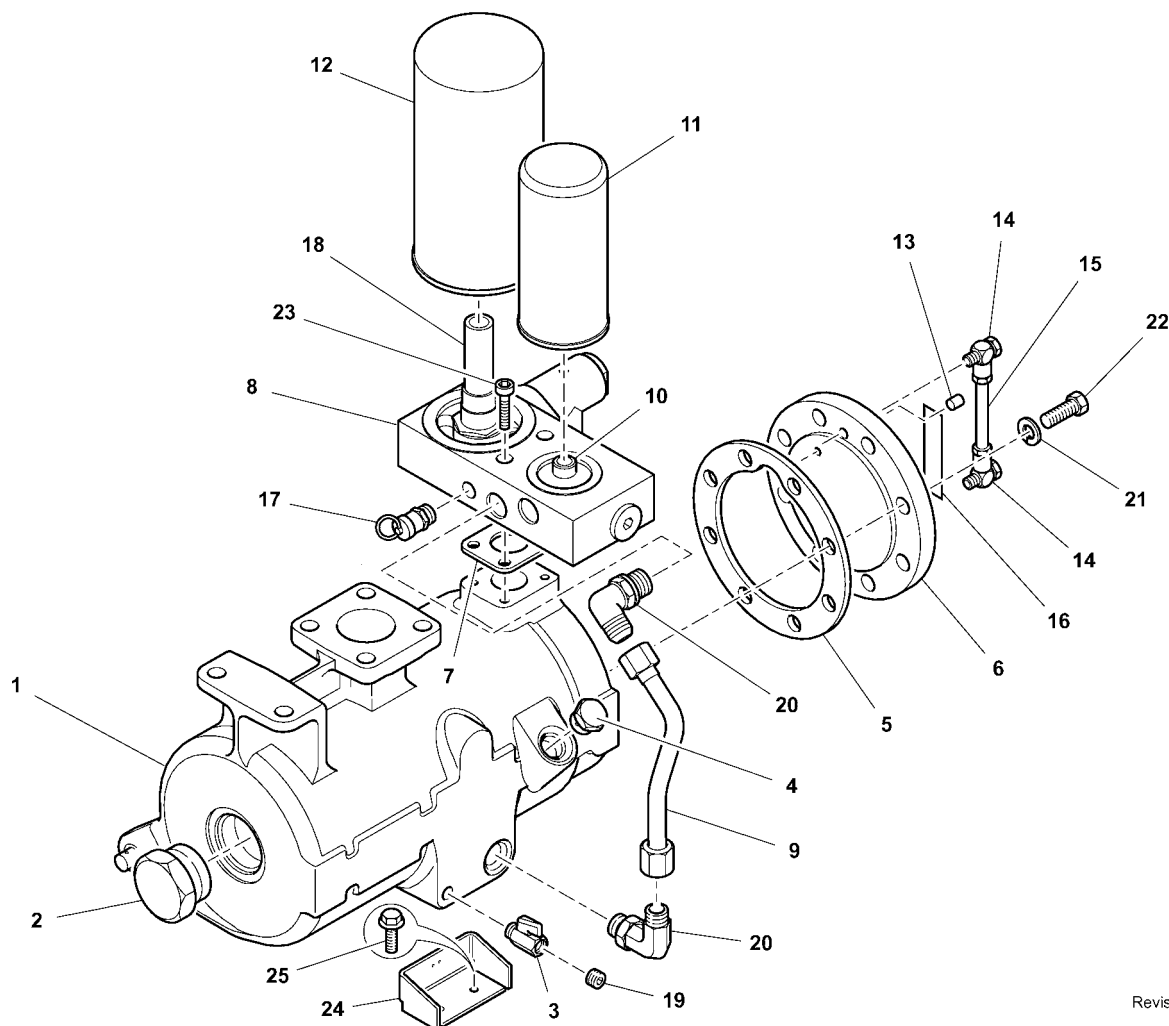
Item	ccn	Qty.	Description	Item	ccn	Qty.	Description
1	54753918	1	Cooler 25-30hp / 20- 25hp-HA	6	95974291	1	Adaptor
	22082499	1	Cooler 15-20hp / 15hp-HA	7	95938163	2	Elbow
2	22058366	1	Hose assembly	8	95938171	1	Adaptor
3	22058358	2	Hose assembly	9	96737564	4	Nut
4	95928230	1	Plug	10	96704531	4	Screw
5	95952867	2	Connector	11	95928230	1	Plug



T5746  
Revision 00  
03/02

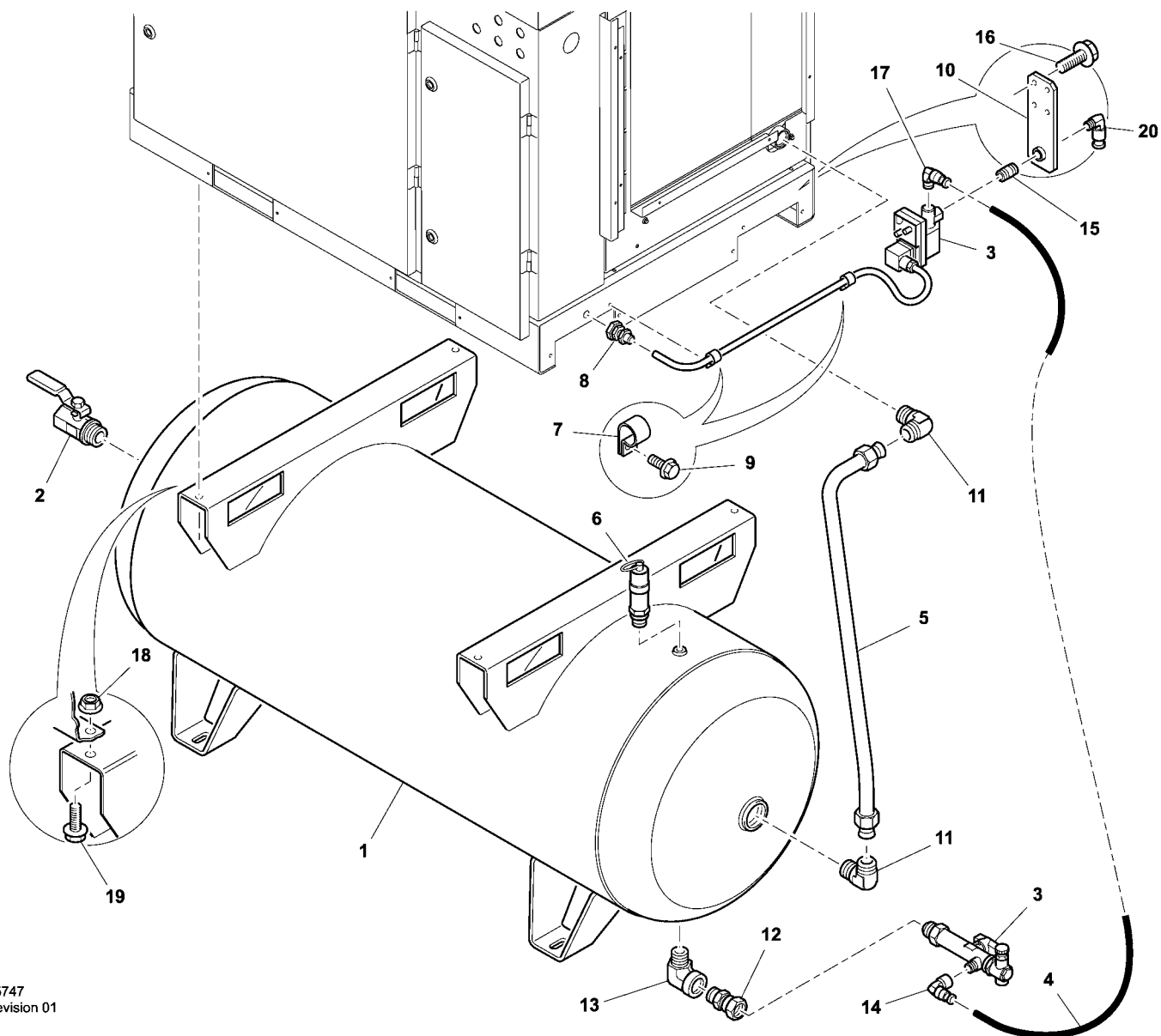
Item	ccn	Qty.	Description	Item	ccn	Qty.	Description
1	39124813	AR	Tube (Nylon)	15	96737564	AR	Nut
2	85583367	1	Grommet	16	96743182	AR	Screw
3	54472162	700	Conduit mm	17	39155346	1	Tee
4	39404165	1	'O' Ring	18	22224976	1	Adaptor
5	39416128	1	Switch, temperature	19	96703756	AR	Nut
6	39124821	AR	Tube (Nylon)	20	96738828	2	Screw
7	54654652	1	Valve, solenoid (Blowdown)	21	54472485	2	Elbow
8	39155650	2	Elbow	22	95952388	1	Coupling
9	54774302	1	Valve, solenoid (Load)	23	39114079	1	Locknut
10	54755426	1	Bracket	24	96742754	2	Screw
11	95944625	2	Bushing	25	22055909	1	Tee
12	39155577	2	Elbow	26	39155478	1	Elbow
13	39156393	1	Connector	27	54774997	1	Bushing
14	54767173	1	Switch, pressure	28	39156419	1	Connector
				29	39156443	1	Connector

# 9 SEPARATION SYSTEM



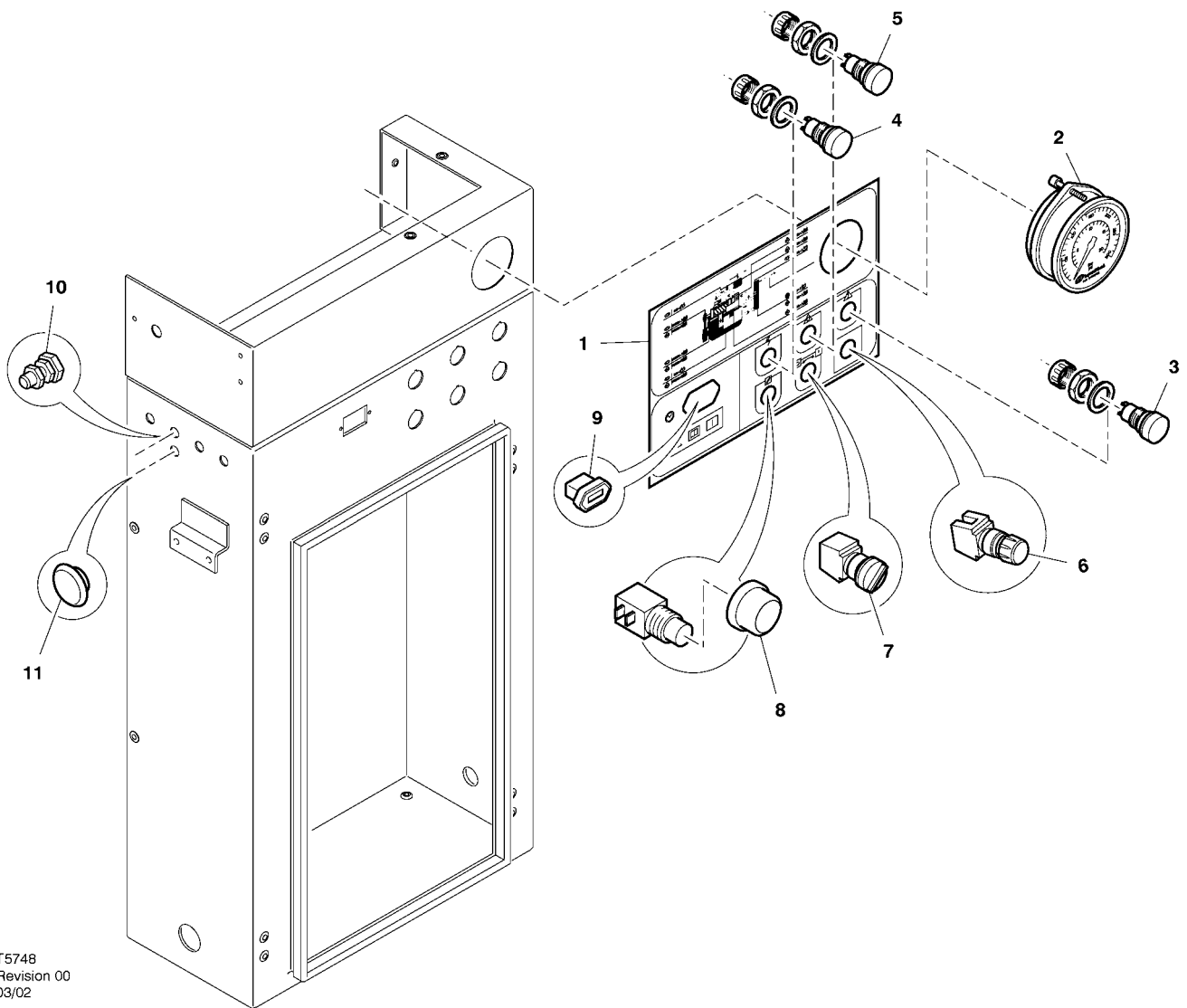
T5744  
Revision 00  
03/02

Item	ccn	Qty.	Description	Item	ccn	Qty.	Description
1	54728100	1	Tank, separator (ASME U / LLOYDS)	12	54749247	1	Cartridge, separator
1	54728118	1	Tank, separator (CE-10/UM/CRN/SQL/UDT)	13	95928214	1	Plug (For Non-Intellisys)
2	95943635	1	Plug	14	89209217	2	Elbow
3	54723341	1	Valve, drain	15	54740444	1	Sight-glass
4	22182265	1	Plug	16	22051296	1	Decal
5	54729876	1	Gasket	17	22057210	1	Valve, safety (60Hz)
6	54729868	1	Plate, cover	18	22354989	1	Nipple
7	54740378	1	Gasket	19	95928222	1	Plug
8	22099352	1	Manifold	20	95938163	2	Elbow
*8a	22064695	1	Kit, minimum pressure valve	21	96721097	8	Washer
*8b	22393326	1	Kit, thermostatic valve	22	54740428	8	Screw
9	85581874	1	Tube assembly	23	96741780	4	Screw
10	54749221	1	Nipple	24	54754874	1	Support
11	54672654	1	Filter, coolant	25	39917489	2	Screw



T5747  
Revision 01

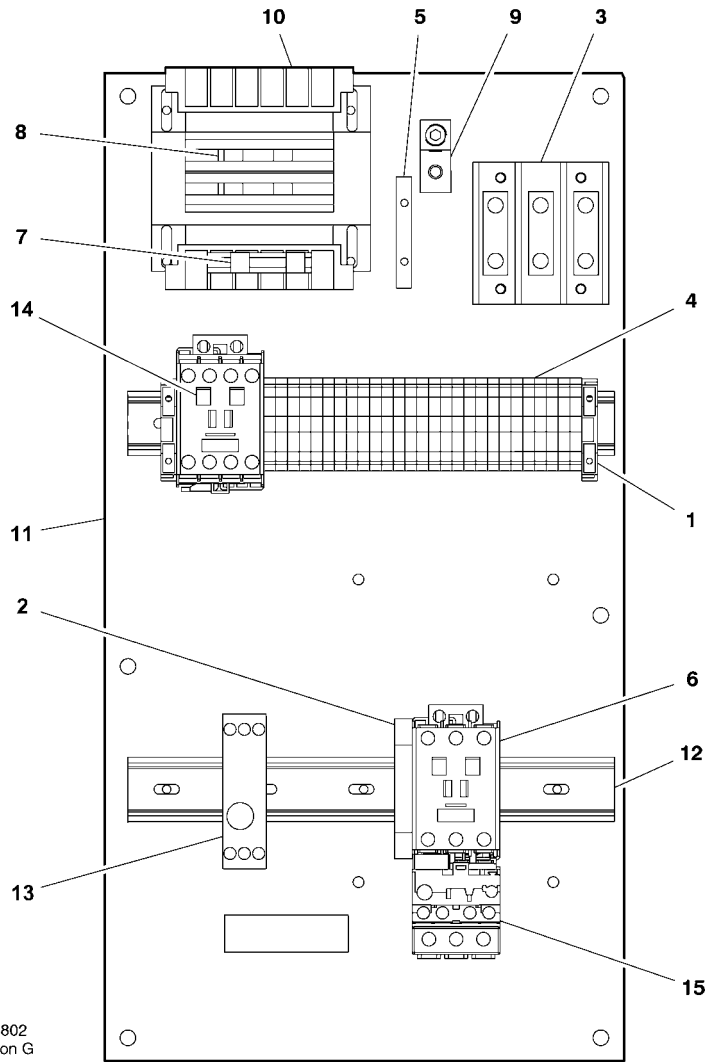
Item	ccn	Qty.	Description	Item	ccn	Qty.	Description
1	54701115	1	Tank (120 Gallon 125/150 psi)	7	32224537	2	Clip, retaining
	54701123	1	Tank (120 Gallon 200 psi)	8	22095913	1	Gland, cable
	22050843	1	Tank (240 Gallon 125/150 psi)	9	92368687	2	Screw
	22061543	1	Tank (240 Gallon 200 psi)	10	32341760	1	Bracket
2	22055438	1	Valve, ball	11	95937645	2	Elbow
3	54579248	1	Valve, drain	12	95989638	1	Adaptor
4	39124813	AR	Tube (Nylon)	13	54393335	1	Elbow
5	85582161	1	Tube assembly (120 Gallon)	14	39156336	1	Elbow
	85584076	1	Tube assembly (240 Gallon)	15	95667341	1	Nipple
6	39588074	1	Valve, pressure 200psi (120 Gallon)	16	39917489	2	Screw
	22052450	1	Valve, pressure 225psi (240 Gallon)	17	39155478	1	Elbow
				18	96741830	4	Nut
				19	96704226	4	Screw
				20	37143542	1	Elbow



T5748  
Revision 00  
03/02

Item	ccn	Qty.	Description	Item	ccn	Qty.	Description
1	32342669	1	Decal	9	32342131	1	Hourmeter
2	54772058	1	Gauge	*9a	39237086	1	Gasket
3	32342180	1	Indicator (Red)	*9b	39127245	2	Screw
4	32342156	1	Indicator (Green)	*9c	22462360	1	Varistor
5	32342164	1	Indicator (White)	10	92877018	3	Gland, cable
6	22053904	1	Button, emergency stop	11	39140785	1	Plug
7	32342149	1	Switch, Off/On	*	22503411	1	Kit, voltage spike
8	32342172	1	Pushbutton, reset				

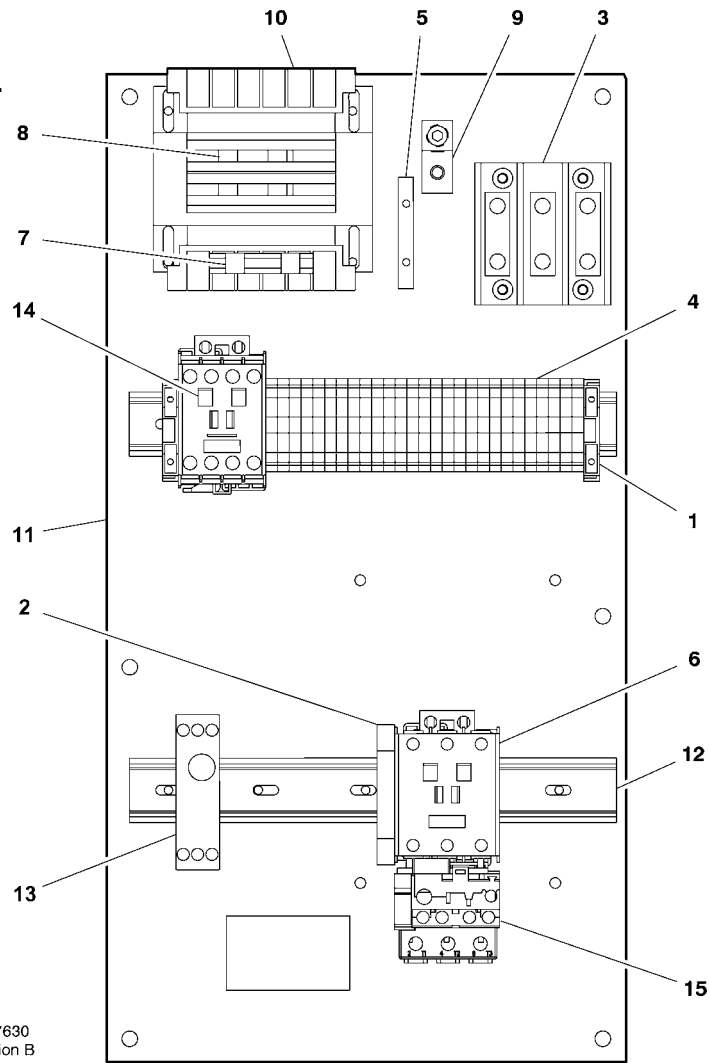
**C37**  
**60 Hz**  
**FULL VOLTAGE – DOL**  
**575V 15 – 30 hp**  
**(15–25hp–HA)**



32341802  
 Revision G

Item	ccn	Qty.	Description	Item	ccn	Qty.	Description
1	39252937	2	Block, end stop	9	32342123	1	Lug, power grounding
2	22074017	1	Block, auxilliary contact	10	32342081	1	Transformer
3	39164520	1	Block, terminal	11	22050140	1	Panel
4	39252903	27	Block, terminal	12	22056741	2	Rail
5	32342115	1	Bus, grounding	13	22294037	1	Relay, time delay
6	39251061	1	Contactor C37	14	39255559	1	Relay, fault, high air temp.
7	22074033	1	Fuse 2.0A 125–250V	15	39251988	1	Relay, overload
8	32342099	2	Fuse 1.5A 600V				

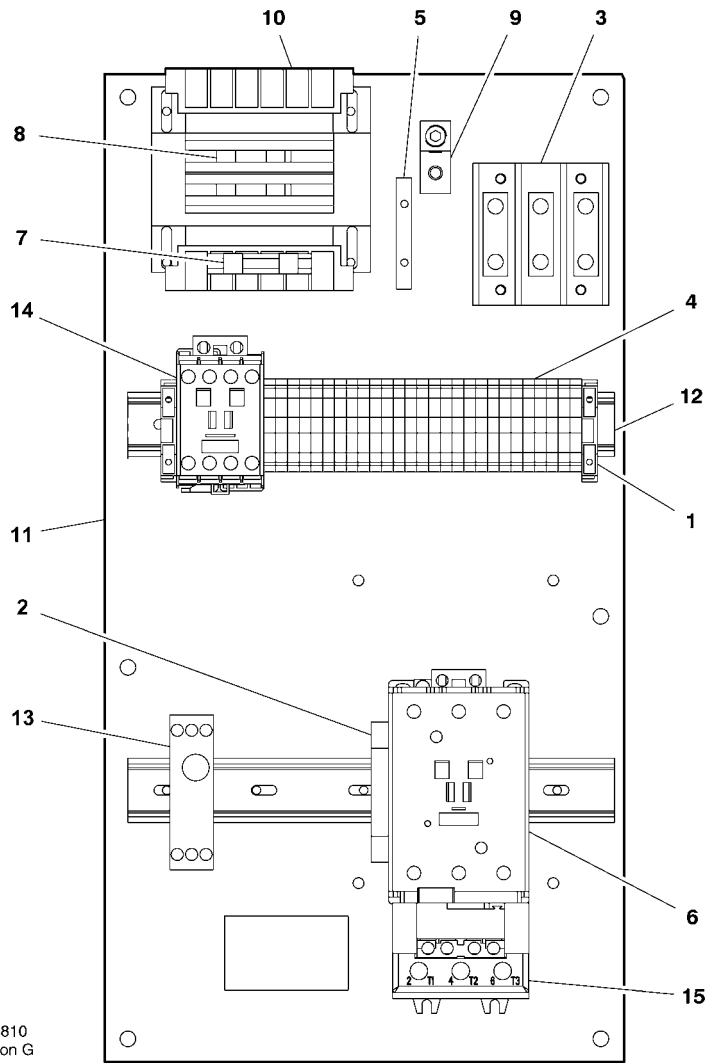
**C43**  
**60 Hz**  
**FULL VOLTAGE – DOL**  
**230/460V 15hp**



22317630  
 Revision B

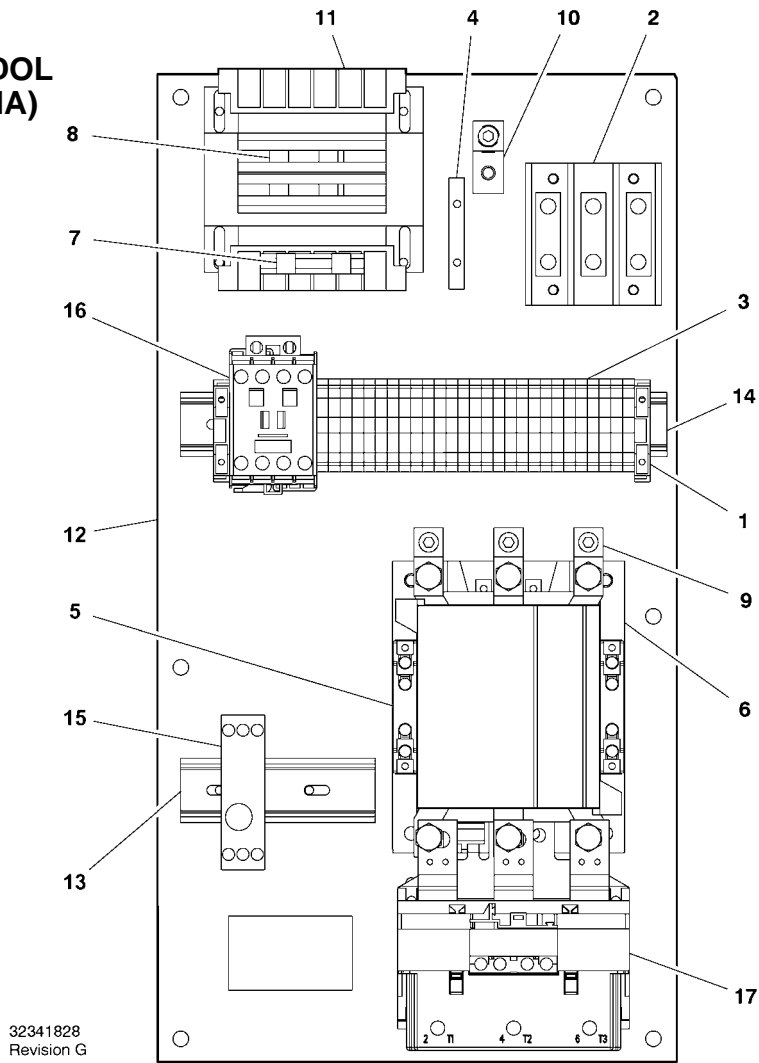
Item	ccn	Qty.	Description	Item	ccn	Qty.	Description
1	39252937	2	Block, end stop	9	32342123	1	Lug, power grounding
2	22074017	1	Block, auxilliary contact	10	32342081	1	Transformer
3	39164520	1	Block, terminal	11	22050140	1	Panel
4	39252903	27	Block, terminal	12	22056741	2	Rail
5	32342115	1	Bus, grounding	13	22294037	1	Relay, time delay
6	39250998	1	Contactor C43	14	39255559	1	Relay, fault, high air temp.
7	22074033	1	Fuse 2.0A 125–250V	15	39251079	1	Relay, overload
8	32342099	2	Fuse 1.5A 600V				

**C85**  
**60 Hz**  
**FULL VOLTAGE - DOL**  
**200V 15-25hp**  
**(15-20hp-HA)**  
**230/460V 20-30hp**  
**(15-25hp-HA)**



Item	ccn	Qty.	Description	Item	ccn	Qty.	Description
1	39252937	2	Block, end stop	9	32342123	1	Lug, power grounding
2	22074017	1	Block, auxilliary contact	10	32342081	1	Transformer
3	39164520	1	Block, terminal	11	22050140	1	Panel
4	39252903	27	Block, terminal	12	22056741	2	Rail
5	32342115	1	Bus, grounding	13	22294037	1	Relay, time delay
6	39251020	1	Contactor C85	14	39255559	1	Relay, fault, high air temp.
7	22074033	1	Fuse 2.0A 125-250V	15	39251087	1	Relay, overload
8	32342099	2	Fuse 1.5A 600V				

**B110**  
**60 Hz**  
**FULL VOLTAGE - DOL**  
**200V 30hp (25hp-HA)**

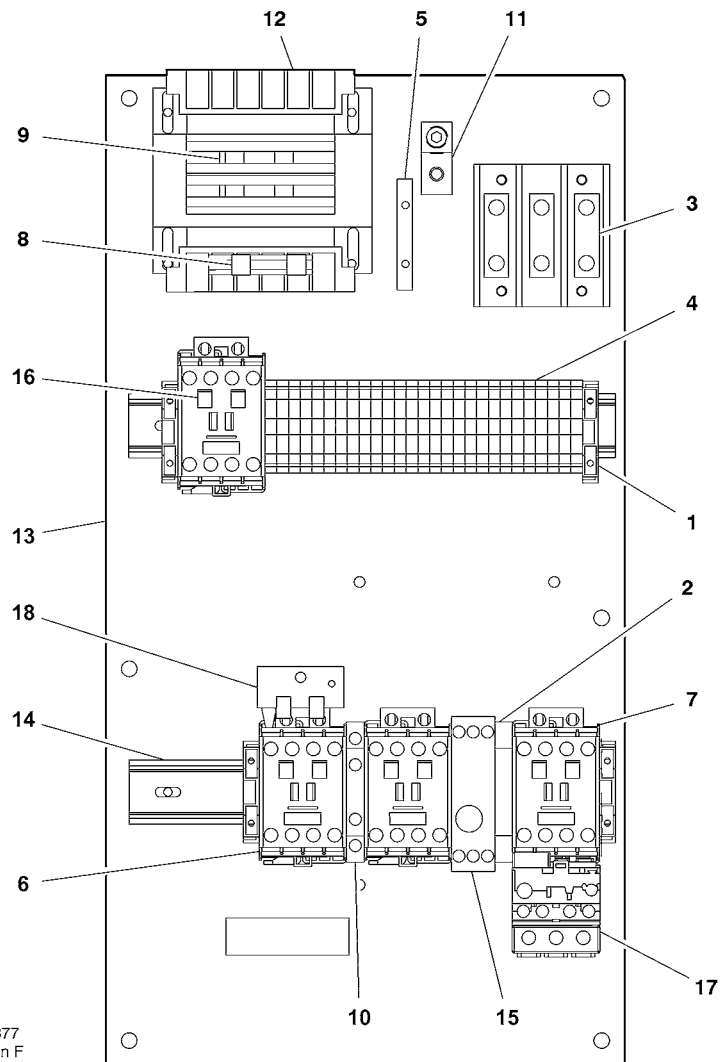


Item	ccn	Qty.	Description	Item	ccn	Qty.	Description
1	39252937	2	Block, end stop	9	39251434	3	Lug
2	39164520	1	Block, terminal	10	32342123	1	Lug, power grounding
3	39252903	27	Block, terminal	11	32342081	1	Transformer
4	32342115	1	Bus, grounding	12	22050140	1	Panel
5	22074025	1	Contact, auxilliary	13	22054746	1	Rail
6	39251038	1	Contactor B110	14	22056741	1	Rail
7	22074033	1	Fuse 2.0A 125-250V	15	22294037	1	Relay, time delay
8	32342099	2	Fuse 1.5A 600V	16	39255559	1	Relay, fault, high air temp.
				17	39251095	1	Relay, overload



# 17 INSTRUMENTATION AND ELECTRICAL SYSTEM

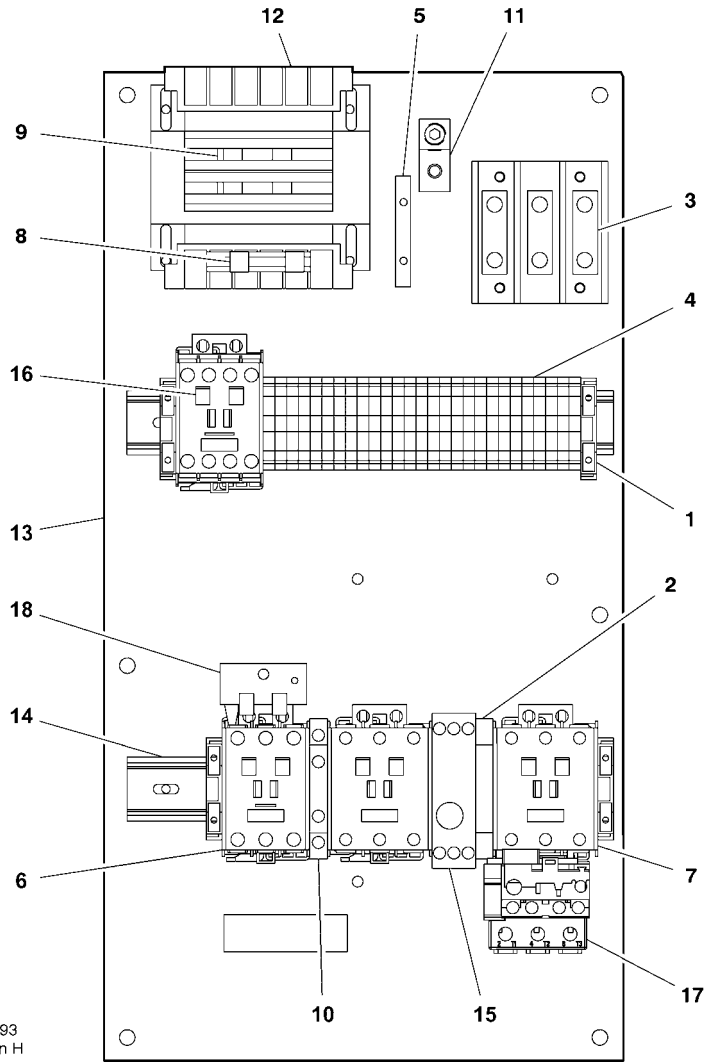
**C23/C16**  
**60 Hz STAR DELTA**  
**440/460V 15-25hp**  
**(15-20hp-HA)**  
**575V 15-30hp**  
**(15-25hp-HA)**



32341877  
 Revision F

Item	ccn	Qty.	Description	Item	ccn	Qty.	Description
1	39252937	4	Block, end stop	10	39333257	1	Interlock
2	22074017	1	Block, auxilliary contact	11	32342123	1	Lug, power grounding
3	39164520	1	Block, terminal	12	32342081	1	Transformer
4	39252903	27	Block, terminal	13	22050140	1	Panel
5	32342115	1	Bus, grounding	14	22056741	2	Rail
6	22074413	1	Contactora C16	15	22294037	1	Relay, time delay
7	39252036	2	Contactora C23	16	39255559	1	Relay, fault, high air temp.
8	22074033	1	Fuse 2.0A 125-250V	17	39255591	1	Relay, overload
9	32342099	2	Fuse 1.5A 600V	18	22218648	1	Timer

**C43/C37**  
**60 Hz STAR DELTA**  
**200V 15–20hp**  
**(15hp–HA)**  
**220/230V 25hp**  
**(20hp–HA)**

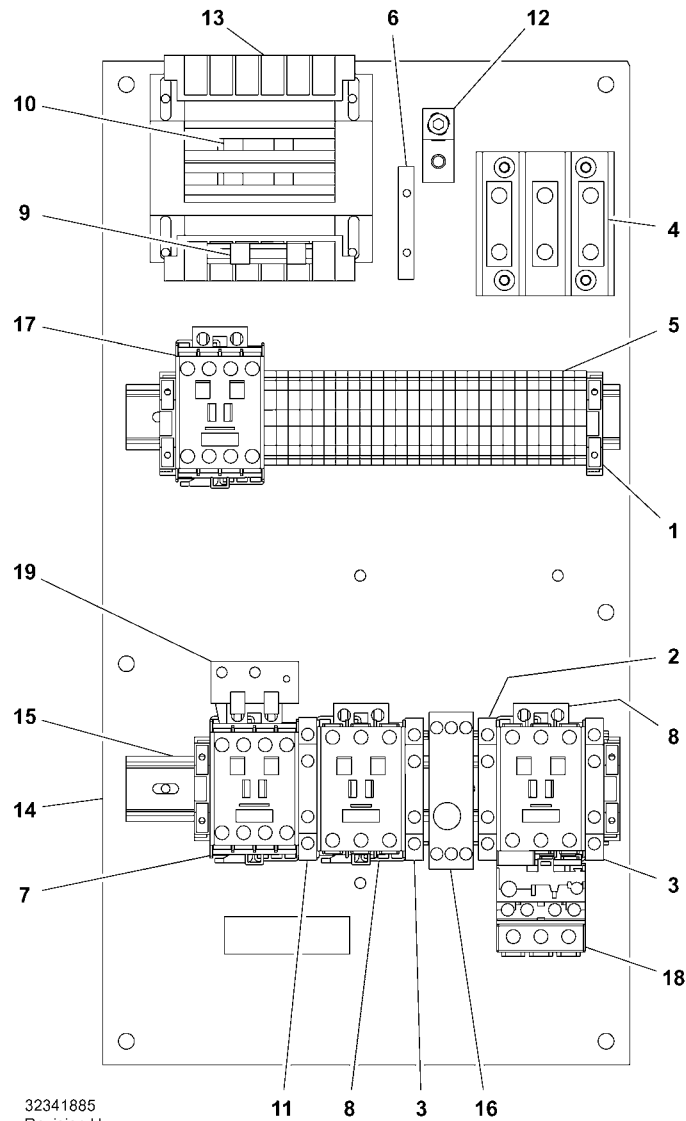


Item	ccn	Qty.	Description	Item	ccn	Qty.	Description
1	39252937	4	Block, end stop	10	39333257	1	Interlock
2	22074017	1	Block, auxilliary contact	11	32342123	1	Lug, power grounding
3	39164520	1	Block, terminal	12	32342081	1	Transformer
4	39252903	27	Block, terminal	13	22050140	1	Panel
5	32342115	1	Bus, grounding	14	22056741	2	Rail
6	39251061	1	Contactora C37	15	22294037	1	Relay, time delay
7	39250998	2	Contactora C43	16	39255559	1	Relay, fault, high air temp.
8	22074033	1	Fuse 2.0A 125–250V	17	39251079	1	Relay, overload
9	32342099	2	Fuse 1.5A 600V	18	22218648	1	Timer

# 19

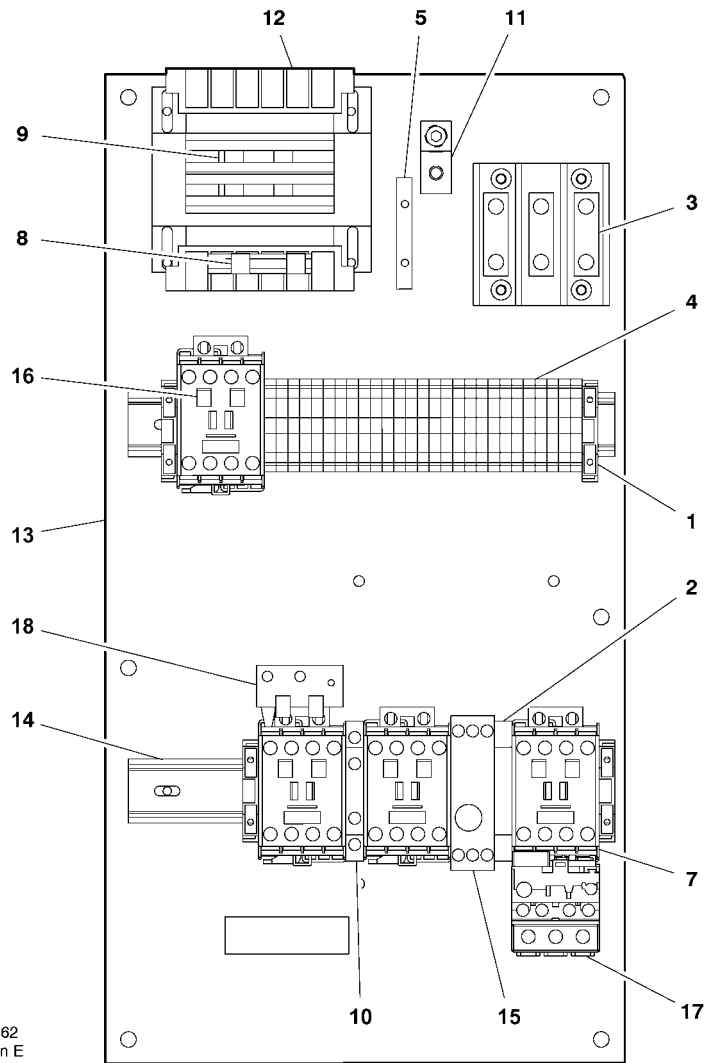
## INSTRUMENTATION AND ELECTRICAL SYSTEM

**C37/C23**  
**60 Hz STAR DELTA**  
**220/230V 15–20hp**  
**(15hp–HA)**  
**440/460V 30hp**  
**(25hp–HA)**



Item	ccn	Qty.	Description	Item	ccn	Qty.	Description
1	39252937	4	Block, end stop	10	32342099	2	Fuse 1.5A 600V
2	22074017	1	Block, auxilliary contact	11	39333257	1	Interlock
3	22132963	2	Block, auxilliary contact	12	32342123	1	Lug, power grounding
4	39164520	1	Block, terminal	13	32342081	1	Transformer
5	39252903	27	Block, terminal	14	22050140	1	Panel
6	32342115	1	Bus, grounding	15	22056741	2	Rail
7	39252036	1	Contactora C23	16	22294037	1	Relay, time delay
8	39251061	2	Contactora C37	17	39255559	1	Relay, fault, high air temp.
9	22074033	1	Fuse 2.0A 125–250V	18	39251988	1	Relay, overload
				19	22218648	1	Timer

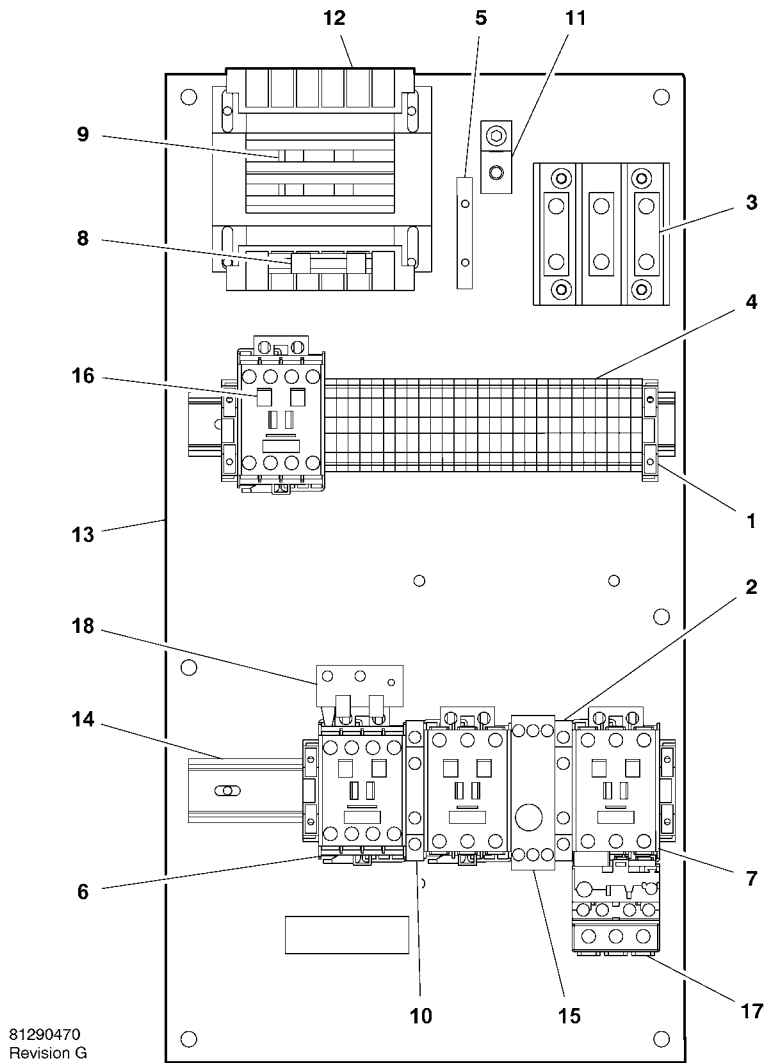
**C23/C23**  
**60 Hz STAR DELTA**  
**380V 15–20hp**  
**(15hp–HA)**



81290462  
 Revision E

Item	ccn	Qty.	Description	Item	ccn	Qty.	Description
1	39252937	4	Block, end stop	10	39333257	1	Interlock
2	22074017	1	Block, auxilliary contact	11	32342123	1	Lug, power grounding
3	39164520	1	Block, terminal	12	81290512	1	Transformer
4	39252903	27	Block, terminal	13	22050140	1	Panel
5	32342115	1	Bus, grounding	14	22056741	2	Rail
6	-			15	22294037	1	Relay, time delay
7	39252036	3	Contactore C23	16	39255559	1	Relay, fault, high air temp.
8	22074033	1	Fuse 2.0A 125–250V	17	39255591	1	Relay, overload
9	32342099	2	Fuse 1.5A 600V	18	22218648	1	Timer

**C37/C23**  
**60 Hz STAR DELTA**  
**380V 25-30hp**  
**(20-25hp-HA)**



Item	ccn	Qty.	Description	Item	ccn	Qty.	Description
1	39252937	4	Block, end stop	10	39333257	1	Interlock
2	22074017	1	Block, auxilliary contact	11	32342123	1	Lug, power grounding
3	39164520	1	Block, terminal	12	81290512	1	Transformer
4	39252903	27	Block, terminal	13	22050140	1	Panel
5	32342115	1	Bus, grounding	14	22056741	2	Rail
6	39252036	1	Contactore C23	15	22294037	1	Relay, time delay
7	39251061	2	Contactore C37	16	39255559	1	Relay, fault, high air temp.
8	22074033	1	Fuse 2.0A 125-250V	17	39251988	1	Relay, overload
9	32342099	2	Fuse 1.5A 600V	18	22218648	1	Timer

---

Item	ccn	Qty.	Description
*1-2	22083752	1	Manual, Operation and Maintenance, with parts catalogue 60Hz
*1	22083729	1	Manual, Operation and Maintenance 60Hz
*2	22083745	1	Manual, Parts catalogue 60Hz
*3	22135917	1	Manual, Options 60Hz

# 23 RECOMMENDED PARTS

ccn	Qty.	Description	ccn	Description
<b>Start Up Kit</b>			<b>Suggested Change – Every 9000 Hours / 2 years</b>	
22114193		Kit – Start up 50Hz	22067177	Kit, inlet valve
	1	Filter, coolant	22064695	Kit, minimum pressure valve
	1	UltraPlus coolant 5 L	22393326	Kit, thermostatic valve
<b>Maintenance Kit – Every 3000 Hours / 1 year</b>			54774302	Valve, solenoid (Load)
22114201		Kit – 3000 Hour 50Hz	54654652	Valve, solenoid (Blowdown)
	1	Filter, coolant	54749114	Spring, gas
	1	Element, air filter	<b>Belts 50Hz</b>	
	1	Cartridge, separator	22108393	Belt, drive 11kW 7.5, 8.5 bar / 18.5kW 14 bar
	1	UltraPlus coolant 5 L	22108401	Belt, drive 11kW 10 bar
	1	Pre filter	22108419	Belt, drive 11kW 14 bar
			89265060	Belt, drive 15kW 7.5, 8.8 bar / 18.5kW 7.5, 8.5 bar / 22kW 10, 14 bar
			89265078	Belt, drive 15kW 10 bar
			22108427	Belt, drive 15kW 14 bar
			89265052	Belt, drive 18.5kW 10 bar / 22kW 7.5, 8.5 bar

ccn	Description	ccn	Description
Service Items			
22114185	UltraPlus coolant 5 L	54740386	Gasket, bare spacer
88306055	UltraPlus coolant 20 L	54740378	Gasket, manifold
54772595	UltraPlus coolant 1 gallon – AP	39570999	Gasket, discharge adaptor
54772603	UltraPlus coolant 5 gallon – AP	39494794	Gasket, inlet valve
88168265	KIT – <i>ULTRAPLUSCHECK</i> 4 x SAMPLE 1 x PUMP	22058358	Hose assembly
88168273	KIT – <i>ULTRAPLUSCHECK</i> 10 x SAMPLE	22058366	Hose assembly
88176367	KIT – <i>ULTRAPLUSCHECK</i> 1 x SAMPLE	92957604	Valve, pressure 15 bar 50Hz (500L Tank)
88176383	KIT – <i>ULTRAPLUSCHECK</i> 1 x PUMP 1 x TUBE	54426580	Valve, pressure 10.5 bar 50Hz (750L Tank)
89438285	KIT – SAMPLE, <i>ULTRAPLUSCHECK</i> – AP	22057954	Valve, safety 15 bar 50Hz (Manifold)
91000000	PUMP <i>ULTRAPLUSCHECK</i> – AP	32342149	Switch, Off/On
37990751	TUBE <i>ULTRAPLUSCHECK</i> – AP	32342172	Pushbutton, re-set
89295976	Element, air filter	22053904	Button, emergency stop
54672654	Filter, coolant	32342156	Indicator (Green)
54749247	Cartridge, separator	32342180	Indicator (Red)
22053722	Pre filter	32342164	Indicator (White)
54767173	Switch, pressure	54772058	Gauge, pressure
37952421	Kit – Air temperature switch	39124722	Indicator, air restriction
39404165	'O' Ring, temperature switch	32342131	Hourmeter
		22071831	Fuse (FU1, FU2) 1.6A 500V 50Hz
		22071815	Fuse (FU3) 2.0A 500V 50Hz
		22503411	Kit, earth spike
		38032413	Option, separator pressure drop gauge
		38032421	Kit, separator gauge service
		22294037	Relay, time delay
		39255559	Relay, fault, high air temperature

AP – Asia Pacific Market

# 25 RECOMMENDED PARTS

ccn	Qty.	Description	ccn	Qty.	Description
<b>Voltage Specific Spares</b>					
<b>C23</b>	<b>Star</b>	<b>Delta</b>	<b>400V 15kW (11kW-HA) 550V 11-22kW (18.5kW-HA)</b>		
39252036	3	Contactors C23	<b>C43/C37</b>	<b>Star</b>	<b>Delta</b>
39255591	1	Relay, overload	39250998	2	Contactors C43
39251319	2	Coil C23	39251061	1	Contactors C37
			39251079	1	Relay, overload
			39251319	1	Coil C37
			39251327	1	Coil C43
<b>C37/C23</b>	<b>Star</b>	<b>Delta</b>	<b>220V 15kW (11kW-HA) 400V 18.5, 22kW (15, 18.5kW-HA)</b>		
39251061	2	Contactors C37	<b>C60/C43</b>	<b>Star</b>	<b>Delta</b>
39252036	1	Contactors C23	39251004	2	Contactors C60
39251988	1	Relay, overload	39250998	1	Contactors C43
39251319	2	Coil C23/C37	39251087	1	Relay, overload
			39251327	1	Coil C43
			39251335	1	Coil C60

ccn	Qté	Description	ccn	Description
<b>Kit de démarrage</b>			<b>Changement conseillé - Toutes les 9 000 heures / 2 ans</b>	
38028577		Kit de démarrage 60 Hz	22067177	Kit de la soupape d'admission
	1	Filtre de liquide de refroidissement	22064695	Kit de soupape de pression minimum
	1	UltraPlus Coolant 1 gal	22393326	Kit de vanne thermostatique
<b>Kit de maintenance - Toutes les 3 000 heures / 1 an</b>			54774302	Robinet, électrovanne (mise en charge)
38028585		Kit – 3 000 heures 60 Hz	54654652	Robinet, électrovanne (extraction)
	1	Filtre de liquide de refroidissement	54749114	Ressort, gaz
	1	Élément du filtre à air	<b>Courroies 60 Hz</b>	
	1	Cartouche du séparateur	22108393	Courroie d'entraînement 15 cv 125 psi / 20 cv 200 psi
	1	UltraPlus Coolant 1 gal	22108427	Courroie d'entraînement 15 cv 150 psi
	1	Pré-filtre	89265060	Courroie d'entraînement 20 cv 125 psi / 25 cv 150 psi / 30 cv 125 psi / 30 cv 150 psi / 30 cv 200 psi
			89265078	Courroie d'entraînement 20 cv 150 psi
			89265052	Courroie d'entraînement 25 cv 125 psi / 30 cv 150 psi
			89265078	Courroie d'entraînement 25 cv 200 psi

ccn	Description	ccn	Description
<b>Pièces d'entretien</b>			
54772595	UltraPlus Coolant 1 gal	22057210	Clapet de sécurité 225 psi (tubulure d'admission) 60 Hz
54772603	UltraPlus Coolant 5 gal	32342149	Interrupteur marche/arrêt
37990736	KIT - ÉCHANTILLON, <i>ULTRAPLUSCHECK</i>	32342172	Bouton-poussoir de réinitialisation
89438285	KIT - ÉCHANTILLON, <i>ULTRAPLUSCHECK - AP</i>	22053904	Bouton d'arrêt d'urgence
37990678	POMPE - <i>ULTRAPLUSCHECK</i>	32342156	Témoin (vert)
91000000	POMPE - <i>ULTRAPLUSCHECK - AP</i>	32342180	Témoin (rouge)
37990751	TUBE - <i>ULTRAPLUSCHECK - AP</i>	32342164	Témoin (blanc)
38034914	Graisse	54772058	Manomètre
89295976	Élément du filtre à air	39124722	Indicateur de colmatage
54672654	Filtre de liquide de refroidissement	32342131	Compteur horaire
54749247	Cartouche du séparateur	32342099	Fusible (FU2, FU3) 1,5 A 600 V 60 Hz
22053722	Pré-filtre	22074033	Fusible (FU1) 2,0 A 125-250 V 60 Hz
54767173	Contacteur de pression	22503411	Kit de pointe de mise à la terre
37952421	Kit de thermocontact de température d'air	38032413	Option du manomètre du séparateur
39404165	Joint torique du thermocontact	38032421	Kit d'entretien du manomètre du séparateur
54740386	Joint de l'entretoise	22294037	Relais à retardement
54740378	Joint de la tubulure d'admission	39255559	Relais, anomalie, température de l'air élevée
39570999	Joint de l'adaptateur de décharge		
39494794	Joint de la soupape d'admission		
22058358	Flexibles		
22058366	Flexibles		
22052450	Soupape de pression 225 psi (Réservoir 240 gal.) 60 Hz		
39588074	Soupape de pression 200 psi (Réservoir 120 gal.) 60 Hz		

AP - Marché Asie Pacifique

ccn	Qté	Description	ccn	Qté	Description
<b>Pièces de rechange spécifiques à la tension</b>					
<b>C37</b>	<b>Tension maximale - DOL</b>	<b>575 V 15-30 cv (15-25 cv-HA)</b>	<b>C43</b>	<b>Tension maximale - DOL</b>	<b>200/230/460 V 15 cv</b>
39251061	1	Contacteur C37	39250998	1	Contacteur C43
39251988	1	Relais de surcharge	39251079	1	Relais de surcharge
39251319	1	Spirale C37	39251327	1	Spirale C43
<b>C85</b>	<b>Tension maximale - DOL</b>	<b>200 V 20-25 cv (15-20 cv-HA) 230/460 V 20-30 cv (15-25 cv-HA)</b>	<b>C23/C16 Étoile-Triangle</b>	<b>440/460 V 15-25 cv (15-20 cv-HA) 575 V 20-30 cv (15-25 cv-HA)</b>	
39251020	1	Contacteur C85	39252036	2	Contacteurs C23
39251087	1	Relais de surcharge	22074413	1	Contacteur C16
39251335	1	Spirale C85	39255591	1	Relais de surcharge
<b>B110</b>	<b>Tension maximale - DOL</b>	<b>200 V 30 cv (25 cv-HA)</b>	39256953	1	Spirale C16
39251038	1	Contacteur B110	39251319	1	Spirale C23
39251095	1	Relais de surcharge	<b>C43/C37 Étoile-Triangle</b>	<b>200 V 15-20 cv (15 cv-HA) 220/230 V 25 cv (20 cv-HA)</b>	
39251350	1	Spirale B110	39250998	2	Contacteurs C43
39251392	1	Kit de contacts	39251061	1	Contacteur C37
<b>C60/C43 Étoile-Triangle</b>	<b>200 V 25-30 cv (20-25 cv-HA) 220/230 V 30 cv (25 cv-HA)</b>		39251079	1	Relais de surcharge
39251004	2	Contacteurs C60	39251319	1	Spirale C37
39250998	1	Contacteur C43	39251327	1	Spirale C43
39251087	1	Relais de surcharge	<b>C37/C23 Étoile-Triangle</b>	<b>220/230 V 15-20 cv (15 cv-HA) 380 V 25-30 cv (20-25 cv-HA) 440/460 V 30 cv (25 cv-HA)</b>	
39251327	1	Spirale C43	39251061	2	Contacteurs C37
39251335	1	Spirale C60	39252036	1	Contacteur C23
<b>C23/C23 Étoile-Triangle</b>	<b>380 V 15-20 cv (15 cv-HA)</b>		39251988	1	Relais de surcharge
39252036	3	Contacteurs C23	39251319	2	Spirale C23 ou C37
39255591	1	Relais de surcharge			
39251319	1	Spirale C23			

ccn	Qde.	Descrição	ccn	Descrição
<b>Kit de arranque</b>			<b>Substituição recomendada – Todas as 9.000 horas / de 2 em 2 anos</b>	
38028577		Kit de arranque 60 Hz	22067177	Kit, válvula de entrada
	1	Filtro, líquido refrigerante	22064695	Kit, válvula de pressão mínima
	1	UltraPlus Coolant 1 galão	22393326	Kit, válvula termostática
<b>Kit de manutenção – Todas as 3.000 horas / todos os anos</b>			54774302	Válvula, de solenóide (de entrada)
38028585		Kit – 3.000 horas 60 Hz	54654652	Válvula, de solenóide (de purga)
	1	Filtro, líquido refrigerante	54749114	Origem, gás
	1	Elemento, filtro de ar	<b>Correias</b>	
	1	Cartucho, separador	<b>60 Hz</b>	
	1	UltraPlus Coolant 1 galão	22108393	Correia, transmissão 15 hp 125 psi / 20 hp 200 psi
	1	Pré-filtro	22108427	Correia, transmissão 15 hp 150 psi
			89265060	Correia, transmissão 20 hp 125 psi / 25 hp 150 psi / 30 hp 125 psi / 30 hp 150 psi / 30 hp 200 psi
			89265078	Correia, transmissão 20 hp 150 psi
			89265052	Correia, transmissão 25 hp 125 psi / 30 hp 150 psi
			89265078	Correia, transmissão 25 hp 200 psi

ccn	Descrição	ccn	Descrição
<b>Artigos de manutenção</b>			
54772595	UltraPlus Coolant 1 galão	22057210	Válvula, de segurança 225 psi (colector) 60 Hz
54772603	UltraPlus Coolant 5 galões	32342149	Interruptor, desligado/ligado
37990736	KIT - AMOSTRA <i>ULTRAPLUSCHECK</i>	32342172	Botão de pressão, restabelecimento
89438285	KIT - AMOSTRA <i>ULTRAPLUSCHECK - AP</i>	22053904	Botão, paragem de emergência
37990678	BOMBA - <i>ULTRAPLUSCHECK</i>	32342156	Indicador (verde)
91000000	BOMBA - <i>ULTRAPLUSCHECK - AP</i>	32342180	Indicador (vermelho)
37990751	TUBO - <i>ULTRAPLUSCHECK - AP</i>	32342164	Indicador (branco)
38034914	Massa lubrificante	54772058	Manómetro, de pressão
89295976	Elemento, filtro de ar	39124722	Indicador, redução de ar
54672654	Filtro, líquido refrigerante	32342131	Contador de horas
54749247	Cartucho, separador	32342099	Fusível (FU2, FU3) 1,5 A 600 V 60 Hz
22053722	Pré-filtro	22074033	Fusível (FU1) 2,0 A 125-250 V 60 Hz
54767173	Pressostato	22503411	Kit, de barras de ligação à terra
37952421	Kit – Interruptor de temperatura do ar	38032413	Opção, visor da queda de pressão no separador
39404165	Junta circular, interruptor de temperatura	38032421	Kit, manutenção do visor do separador
54740386	Junta vedante, anilha espaçadora nua	22294037	Relé, atraso
54740378	Junta vedante, colector	39255559	Relé, falha, temperatura elevada do ar
39570999	Junta vedante, adaptador de descarga		
39494794	Junta vedante, válvula de entrada		
22058358	Conjunto de tubos		
22058366	Conjunto de tubos		
22052450	Válvula, de pressão 225 psi (reservatório de 240 galões) 60 Hz		
39588074	Válvula, de pressão 200 psi (reservatório de 120 galões) 60 Hz		

AP - Mercado Ásia e Pacífico

# 31 PEÇAS RECOMENDADAS

ccn	Qde.	Descrição	ccn	Qde.	Descrição
<b>Peças sobressalentes com voltagens específicas</b>					
<b>C37</b>	<b>Voltagem máxima - directa em linha</b>	<b>575 V 15-30 hp (15-25 hp - HA)</b>	<b>C43</b>	<b>Voltagem máxima - directa em linha</b>	<b>200/230/460 V 15 hp</b>
39251061	1	Comutador C37	39250998	1	Comutador C43
39251988	1	Relé, sobrecarga	39251079	1	Relé, sobrecarga
39251319	1	Bobina eléctrica C37	39251327	1	Bobina eléctrica C43
<b>C85</b>	<b>Voltagem máxima - directa em linha</b>	<b>200 V 20-25 hp (15-20 hp - HA) 230/460 V 20-30 hp (15-25 hp - HA)</b>	<b>C23/C16</b>	<b>Estrela Triângulo</b>	<b>440/460 V 15-25 hp (15-20 hp - HA) 575 V 20-30 hp (15-25 hp - HA)</b>
39251020	1	Comutador C85	39252036	2	Comutadores C23
39251087	1	Relé, sobrecarga	22074413	1	Comutador C16
39251335	1	Bobina eléctrica C85	39255591	1	Relé, sobrecarga
<b>B110</b>	<b>Voltagem máxima - directa em linha</b>	<b>200 V 30 hp (25 hp - HA)</b>	39256953	1	Bobina eléctrica C16
39251038	1	Comutador B110	39251319	1	Bobina eléctrica C23
39251095	1	Relé, sobrecarga	<b>C43/C37</b>	<b>Estrela Triângulo</b>	<b>200 V 15-20 hp (15 hp - HA) 220/230 V 25 hp (20 hp - HA)</b>
39251350	1	Bobina eléctrica B110	39250998	2	Comutadores C43
39251392	1	Kit, contactos	39251061	1	Comutador C37
<b>C60/C43</b>	<b>Estrela Triângulo</b>	<b>200 V 25-30 hp (20-25 hp - HA) 220/230 V 30 hp (25 hp - HA)</b>	39251079	1	Relé, sobrecarga
39251004	2	Comutadores C60	39251319	1	Bobina eléctrica C37
39250998	1	Comutador C43	39251327	1	Bobina eléctrica C43
39251087	1	Relé, sobrecarga	<b>C37/C23</b>	<b>Estrela Triângulo</b>	<b>220/230 V 15-20 hp (15 hp - HA) 380 V 25-30 hp (20-25 hp - HA) 440/460 V 30 hp (25 hp - HA)</b>
39251327	1	Bobina eléctrica C43	39251061	2	Comutadores C37
39251335	1	Bobina eléctrica C60	39252036	1	Comutador C23
<b>C23/C23</b>	<b>Estrela Triângulo</b>	<b>380 V 15-20 hp (15 hp - HA)</b>	39251988	1	Relé, sobrecarga
39252036	3	Comutadores C23	39251319	2	Bobina eléctrica C23 ou C37
39255591	1	Relé, sobrecarga			
39251319	1	Bobina eléctrica C23			

ccn	Ctd.	Descripción	ccn	Descripción
<b>Kit de arranque</b>			<b>Cambio recomendado - Cada 9.000 horas / 2 años</b>	
38028577		Kit - Arranque 60 Hz	22067177	Kit de la válvula de entrada
	1	Filtro del líquido refrigerante	22064695	Kit de la válvula de presión mínima
	1	UltraPlus Coolant 1 galón	22393326	Kit de la válvula termostática
<b>Kit de mantenimiento - Cada 3.000 horas / 1 año</b>			54774302	Válvula de solenoide (carga)
38028585		Kit - 3.000 horas 60 Hz	54654652	Válvula de solenoide (purga)
	1	Filtro del líquido refrigerante	54749114	Muelle, gas
	1	Elemento del filtro de aire	<b>Correas</b>	
	1	Cartucho del separador	<b>60 Hz</b>	
	1	UltraPlus Coolant 1 galón	22108393	Correa de accionamiento 15 cv 125 psi / 20 cv 200 psi
	1	Prefiltro	22108427	Correa de accionamiento 15 cv 150 psi
			89265060	Correa de accionamiento 20 cv 125 psi / 25 cv 150 psi / 30 cv 125 psi / 30 cv 150 psi / 30 cv 200 psi
			89265078	Correa de accionamiento 20 cv 150 psi
			89265052	Correa de accionamiento 25 cv 125 psi / 30 cv 150 psi
			89265078	Correa de accionamiento 25 cv 200 psi

ccn	Descripción	ccn	Descripción
<b>Artículos de mantenimiento</b>			
54772595	UltraPlus Coolant 1 galón	22057210	Válvula de seguridad 225 psi (colector) 60 Hz
54772603	UltraPlus Coolant 5 galones	32342149	Interruptor de encendido/apagado
37990736	KIT - MUESTRA, <i>ULTRAPLUSCHECK</i>	32342172	Botón de restauración
89438285	KIT - MUESTRA, <i>ULTRAPLUSCHECK - AP</i>	22053904	Botón de parada de emergencia
37990678	BOMBA - <i>ULTRAPLUSCHECK</i>	32342156	Indicador (verde)
91000000	BOMBA - <i>ULTRAPLUSCHECK - AP</i>	32342180	Indicador (rojo)
37990751	TUBO - <i>ULTRAPLUSCHECK - AP</i>	32342164	Indicador (blanco)
38034914	Grasa	54772058	Manómetro
89295976	Elemento del filtro de aire	39124722	Indicador de restricción de aire
54672654	Filtro del líquido refrigerante	32342131	Contador horario
54749247	Cartucho del separador	32342099	Fusible (FU2, FU3) 1,5 A 600 V 60 Hz
22053722	Prefiltro	22074033	Fusible (FU1) 2,0 A 125-250 V 60 Hz
54767173	Interruptor de presión	22503411	Kit de la espiga de conexión a tierra
37952421	Kit - Interruptor de temperatura del aire	38032413	Opción del manómetro de caída de presión del separador
39404165	Junta tórica del interruptor de temperatura	38032421	Kit de mantenimiento del manómetro del separador
54740386	Junta del espaciador descubierto	22294037	Relé de retraso
54740378	Junta del colector	39255559	Relé de fallo de alta temperatura del aire
39570999	Junta del adaptador de descarga		
39494794	Junta de la válvula de entrada		
22058358	Conjunto de la manguera		
22058366	Conjunto de la manguera		
22052450	Válvula de presión 225 psi (tanque de 240 gal) 60 Hz		
39588074	Válvula de presión 200 psi (tanque de 120 gal) 60 Hz		

AP - Mercado de Asia Pacífico

ccn	Ctd.	Descripción	ccn	Ctd.	Descripción
<b>Piezas de repuesto específicas de voltaje</b>					
<b>C37</b>	<b>Voltaje total - 575 V 15-30 cv (15-25 cv-HA)</b>		<b>C43</b>	<b>Voltaje total - 200/230/460 V 15 cv</b>	
	<b>Arranque directo</b>			<b>Arranque directo</b>	
39251061	1	Contactador C37	39250998	1	Contactador C43
39251988	1	Relé de sobrecarga	39251079	1	Relé de sobrecarga
39251319	1	Bobina C37	39251327	1	Bobina C43
<b>C85</b>	<b>Voltaje total - 200 V 20-25 cv (15-20 cv-HA)</b>		<b>C23/C16</b>	<b>Estrella-triángulo 440/460 V 15-25 cv (15-20 cv-HA)</b>	
	<b>Arranque directo 230/460 V 20-30 cv (15-25 cv-HA)</b>			<b>575 V 20-30 cv (15-25 cv-HA)</b>	
39251020	1	Contactador C85	39252036	2	Contactores C23
39251087	1	Relé de sobrecarga	22074413	1	Contactador C16
39251335	1	Bobina C85	39255591	1	Relé de sobrecarga
<b>B110</b>	<b>Voltaje total - 200 V 30 cv (25 cv-HA)</b>		39256953	1	Bobina C16
	<b>Arranque directo</b>		39251319	1	Bobina C23
39251038	1	Contactador B110	<b>C43/C37</b>	<b>Estrella-triángulo 200 V 15-20 cv (15 cv-HA)</b>	
39251095	1	Relé de sobrecarga		<b>220/230 V 25 cv (20 cv-HA)</b>	
39251350	1	Bobina B110	39250998	2	Contactores C43
39251392	1	Kit de los contactos	39251061	1	Contactador C37
<b>C60/C43</b>	<b>Estrella-triángulo 200 V 25-30 cv (20-25 cv-HA)</b>		39251079	1	Relé de sobrecarga
	<b>200/230 V 30 cv (25 cv-HA)</b>		39251319	1	Bobina C37
39251004	2	Contactores C60	39251327	1	Bobina C43
39250998	1	Contactador C43	<b>C37/C23</b>	<b>Estrella-triángulo 220/230 V 15-20 cv (15 cv-HA)</b>	
39251087	1	Relé de sobrecarga		<b>380 V 25-30 cv (20-25 cv-HA)</b>	
39251327	1	Bobina C43		<b>440/460 V 30 cv (25 cv-HA)</b>	
39251335	1	Bobina C60	39251061	2	Contactores C37
<b>C23/C23</b>	<b>Estrella-triángulo 380 V 15-20 cv (15 cv-HA)</b>		39252036	1	Contactador C23
			39251988	1	Relé de sobrecarga
39252036	3	Contactores C23	39251319	2	Bobina C23 o C37
39255591	1	Relé de sobrecarga			
39251319	1	Bobina C23			

# 35 推荐的配件

ccn	数量	说明	ccn	说明
<b>启动组件</b>			<b>建议的更换 - 每隔 9000 小时 / 2 年</b>	
38028577		组件 - 启动 60Hz	22067177	进气阀组件
	1	冷却剂过滤器	22064695	最小压力阀组件
	1	UltraPlus Coolant 1gal	22393326	温控阀组件
			54774302	电磁阀 (负载)
			54654652	电磁阀 (放气)
			54749114	气阀弹簧
<b>维护工具 - 每隔 3000 小时 / 1 年</b>			<b>皮带 60Hz</b>	
38028585		组件 - 3000 小时 60Hz	22108393	传动皮带 15hp 125psi / 20hp 200psi
	1	冷却剂过滤器	22108427	传动皮带 15hp 150psi
	1	空气过滤器芯	89265060	传动皮带 20hp 125psi / 25hp 150psi / 30hp 125psi / 30hp 150psi / 30hp 200psi
	1	分离器芯	89265078	传动皮带 20hp 150psi
	1	UltraPlus Coolant 1gal	89265052	传动皮带 25hp 125psi / 30hp 150psi
	1	预滤器	89265078	传动皮带 25hp 200psi

ccn	说明	ccn	说明
<b>维修项目</b>			
54772595	UltraPlus Coolant 1gal	22057210	安全阀 225psi ( 歧管 ) 60Hz
54772603	UltraPlus Coolant 5gal	32342149	开关, 关 / 开
37990736	组件 - 样品, <i>ULTRAPLUSCHECK</i>	32342172	重置按钮
89438285	组件 - 样品, <i>ULTRAPLUSCHECK - AP</i>	22053904	紧急停机按钮
37990678	泵 - <i>ULTRAPLUSCHECK</i>	32342156	指示灯 ( 绿色 )
91000000	泵 - <i>ULTRAPLUSCHECK - AP</i>	32342180	指示灯 ( 红色 )
37990751	管道 - <i>ULTRAPLUSCHECK - AP</i>	32342164	指示灯 ( 白色 )
38034914	润滑脂	54772058	压力表
89295976	空气过滤器芯	39124722	限气指示灯
54672654	冷却剂过滤器	32342131	计时器
54749247	分离器芯	32342099	保险丝 (FU2, FU3) 1.5A 600V 60Hz
22053722	预过滤器	22074033	保险丝 (FU1) 2.0A 125-250V 60Hz
54767173	压力开关	22503411	地钉组件
37952421	组件 - 气温开关	38032413	分离器压力下降表选件
39404165	“ O ” 形圈, 温度开关	38032421	分离器计维修组件
54740386	裸垫片垫圈	22294037	延时继电器
54740378	歧管垫圈	39255559	高气温继电器故障
39570999	排气适配器垫圈		
39494794	进气阀垫圈		
22058358	软管配件		
22058366	软管配件		
22052450	压力阀 225psi ( 240gal. 储气罐 ) 60Hz		
39588074	压力阀 200psi ( 120gal. 储气罐 ) 60Hz		

AP - 亚太市场

# 37 推荐的配件

ccn	数量	说明	ccn	数量	说明
<b>电压特定配件</b>					
<b>C37</b>	<b>满电压 - 直接 联机</b>		<b>575V 15-30hp (15-25hp-HA)</b>		
39251061	1	接触器 C37			
39251988	1	过载继电器			
39251319	1	线圈 C37			
<b>C43</b>	<b>满电压 - 直接 联机</b>		<b>200/230/460V 15hp</b>		
39250998	1	接触器 C43			
39251079	1	过载继电器			
39251327	1	线圈 C43			
<b>C85</b>	<b>满电压 - 直接 联机</b>		<b>200V 20-25hp (15-20hp-HA) 230/460V 20-30hp (15-25hp-HA)</b>		
39251020	1	接触器 C85			
39251087	1	过载继电器			
39251335	1	线圈 C85			
<b>B110</b>	<b>满电压 - 直接 联机</b>		<b>200V 30hp (25hp-HA)</b>		
39251038	1	接触器 B110			
39251095	1	过载继电器			
39251350	1	线圈 B110			
39251392	1	触点组件			
<b>C23/C16</b>	<b>星形三角接法</b>		<b>440/460V 15-25hp (15-20hp-HA) 575V 20-30hp (15-25hp-HA)</b>		
39252036	2	接触器 C23			
22074413	1	接触器 C16			
39255591	1	过载继电器			
39256953	1	线圈 C16			
39251319	1	线圈 C23			
<b>C43/C37</b>	<b>星形三角接法</b>		<b>200V 15-20hp (15hp-HA) 220/230V 25hp (20hp-HA)</b>		
39250998	2	接触器 C43			
39251061	1	接触器 C37			
39251079	1	过载继电器			
39251319	1	线圈 C37			
39251327	1	线圈 C43			
<b>C37/C23</b>	<b>星形三角接法</b>		<b>220/230V 15-20hp (15hp-HA) 380V 25-30hp (20-25hp-HA) 440/460V 30hp (25hp-HA)</b>		
39251061	2	接触器 C37			
39252036	1	接触器 C23			
39251988	1	过载继电器			
39251319	2	线圈 C23 或 C37			
<b>C60/C43</b>	<b>星形三角接法</b>		<b>200V 25-30hp (20-25hp-HA) 220/230V 30hp (25hp-HA)</b>		
39251004	2	接触器 C60			
39250998	1	接触器 C43			
39251087	1	过载继电器			
39251327	1	线圈 C43			
39251335	1	线圈 C60			
<b>C23/C23</b>	<b>星形三角接法</b>		<b>380V 15-20hp (15hp-HA)</b>		
39252036	3	接触器 C23			
39255591	1	过载继电器			
39251319	1	线圈 C23			

CCN & PAGE	CCN & PAGE	CCN & PAGE	CCN & PAGE	CCN & PAGE	CCN & PAGE
22050140, 12, 13, 14, 15, 16, 17, 18, 19, 20, 21	22107536, 2	32342099, 12, 13, 14, 15, 16, 17, 18, 19, 20, 21	39251988, 12, 19, 21, 25	54735584, 4	89265052, 2, 23
22050843, 10	22107585, 2	32342115, 12, 13, 14, 15, 16, 17, 18, 19, 20, 21	39252036, 17, 19, 20, 21, 25	54735600, 4	89265060, 2, 23
22051296, 9	22107593, 2	32342123, 12, 13, 14, 15, 16, 17, 18, 19, 20, 21	39252903, 12, 13, 14, 15, 16, 17, 18, 19, 20, 21	54735618, 4	89265078, 2, 23
22052450, 10	22107601, 2	32342131, 11, 24	39252937, 12, 13, 14, 15, 16, 17, 18, 19, 20, 21	54735626, 4	89265300, 5
22053433, 1	22107619, 2	32342149, 11, 24	39255559, 17, 20, 25	54735634, 4	89295935, 5
22053722, 24	22107627, 2	32342156, 11, 24	39333257, 16, 17, 18, 19, 20, 21	54735659, 4	89295976, 24
22053904, 11, 24	22107635, 2	32342164, 11, 24	39404165, 8, 24	54735667, 4	89438285, 24
22054746, 15	22108351, 2	32342172, 11, 24	39416128, 8	54740378, 9, 24	91000000, 24
22055438, 10	22108369, 2	32342180, 11, 24	39494794, 5, 24	54740386, 5, 24	92368687, 1, 5, 6, 10
22055909, 8	22108393, 2, 23	32342188, 11, 24	39570999, 5, 24	54740428, 9	92751130, 2
22056741, 12, 13, 14, 15, 16, 17, 18, 19, 20, 21	22108401, 23	32342196, 11	39588074, 10	54740444, 9	92829308, 1
22057210, 9	22108419, 23	35295799, 5	39738490, 1	54740451, 4	92877018, 11
22057954, 24	22108427, 2, 23	37143542, 10	39917489, 9, 10	54747399, 5	92957604, 24
22058358, 7, 24	22113195, 6	37952421, 24	54393335, 10	54747423, 6	93492072, 1
22058366, 7, 24	22113203, 6	37990751, 24	54426580, 24	54747597, 6	95231494, 4
22058580, 1	22114185, 24	38032413, 24	54472162, 8	54747746, 1	95667341, 10
22061543, 10	22114193, 23	38032421, 24	54472485, 8	54747753, 1	95928214, 9
22062376, 5	22114201, 23	39114079, 8	54579248, 10	54747761, 1	95928222, 9
22064695, 9, 23	22132336, 1	39117312, 1	54654652, 8, 23	54749098, 5	95928230, 7, 7
22065890, 5	22132963, 16, 19	39124722, 24	54672654, 9, 24	54749106, 5	95937645, 10
22066195, 1	22135917, 22	39124813, 8, 10	54701115, 10	54749114, 5, 23	95937686, 5
22066211, 1	22138481, 6	39124821, 8	54701123, 10	54749221, 9	95938163, 7, 9
22067052, 1	22138499, 6	39127245, 11	54720511, 4	54749247, 9, 24	95938171, 7
22067177, 5, 23	22158612, 1	39140785, 11	54720529, 4	54753918, 7	95943635, 9
22071815, 24	22158877, 1	39155346, 8	54723341, 9	54754163, 1	95944625, 8
22071831, 24	22158935, 1	39155478, 8, 10	54728100, 9	54754296, 6	95952388, 8
22074017, 12, 13, 14, 16, 17, 18, 19, 20, 21	22159099, 6	39155577, 8	54728118, 9	54754874, 9	95952867, 5, 7
22074025, 15	22160030, 1	39155650, 8	54728188, 9	54755426, 8	95954053, 1
22074033, 12, 13, 14, 15, 16, 17, 18, 19, 20, 21	22178040, 2	39156336, 10	54729868, 9	54767173, 8, 24	95974291, 7
22074413, 17	22178057, 2	39156393, 8	54729876, 9	54772058, 11, 24	95989638, 10
22082499, 7	22178065, 2	39156419, 8	54729876, 9	54772595, 24	95993572, 5
22083448, 2	22182265, 9	39156443, 8	54735378, 3	54772603, 24	96701404, 5
22083729, 22	2218648, 16, 17, 18, 19, 20, 21	39164520, 12, 13, 14, 15, 16, 17, 18, 19, 20, 21	54735386, 3	54774302, 8, 23	96703186, 2, 5
22083745, 22	22224976, 8	39224209, 4	54735402, 3	54774989, 5	96703756, 8
22083752, 22	22234108, 3	39237086, 11	54735410, 3	54775556, 5	96704226, 10
22091193, 1	22234116, 3	39250998, 13, 16, 18, 25	54735428, 3	81290512, 20, 21	96704531, 7
22092886, 1	22234124, 3	39251004, 16, 25	54735436, 3	85581858, 5	96721097, 5, 9
22093025, 1	22234132, 3	39251020, 14	54735448, 3	85581866, 5	96728233, 5
22095251, 1	22234140, 3	39251038, 15	54735453, 3	85581874, 9	96737556, 4
22095913, 10	22234157, 3	39251061, 12, 18, 19, 21, 25	54735469, 3	85581882, 5	96737564, 7, 8
22097208, 5	22234165, 3	39251079, 13, 18, 25	54735477, 4	85582161, 10	96738406, 4
22097562, 1	22234173, 3	39251087, 14, 16, 25	54735485, 3	85583367, 8	96738513, 5
22097570, 1	22294037, 12, 13, 14, 15, 16, 17, 18, 19, 20, 21, 24	39251095, 15	54735501, 4	85584076, 10	96738828, 8
22099352, 9	22354989, 9	39251319, 25	54735519, 4	85584340, 1	96739701, 5
22099626, 1	22393326, 9, 23	39251327, 25	54735527, 4	85584365, 6	96741780, 9
22099840, 6	22462360, 11	39251335, 25	54735535, 3	88101209, 4	96741814, 4
22099873, 6	22503411, 11, 24	39251434, 15	54735550, 4	88168265, 24	96741830, 10
22099881, 6	32224537, 10		54735568, 4	88168273, 24	96742689, 1
	32341760, 10		54735576, 4	88176367, 24	96742754, 8
	32342081, 12, 13, 14, 15, 16, 17, 18, 19			88176383, 24	96743182, 8
				88306055, 24	96743992, 1
				89209217, 9	

