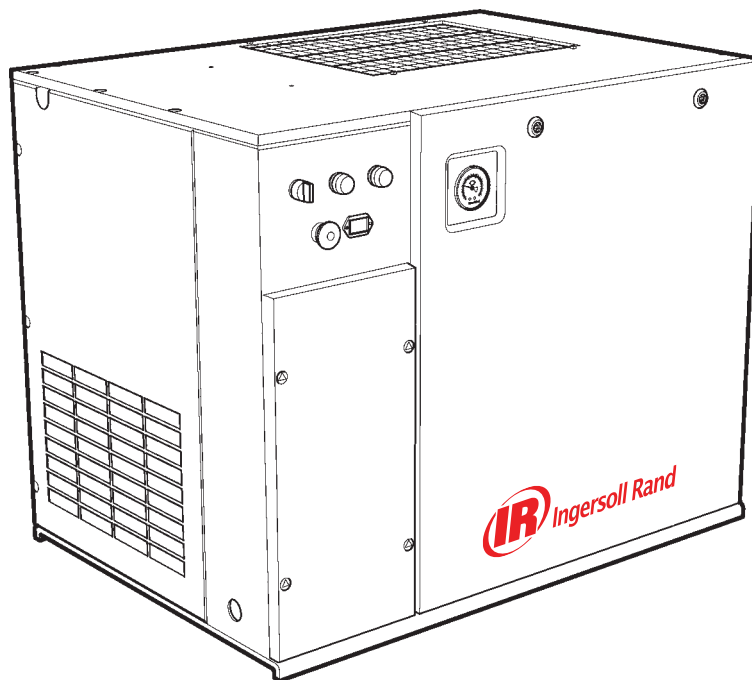




UP5-4, UP5-5.5, UP5-7.5, UP5-11c
50Hz

UP5-4, UP5-5.5, UP5-7.5, UP5-15c
60Hz

PARTS CATALOGUE



cz KATALOG DÍLŮ
da RESERVEDELSKATALOG
de ERSATZTEILLISTE
el ΚΑΤΑΛΟΓΟΣ ΕΞΑΡΤΗΜΑΤΩΝ
en PARTS CATALOGUE
es LISTA DE REPUESTOS
et OSADE SPETSIFIKATSIOON
fi VARAOSALUETTELO
fr CATALOGUEDE PIÈCES DÉTACHÉES
hu ALKATRÉSZ-KATALÓGUS
it LISTA RICAMBI
lt DALIŲ KATALOGAS

lv DETAĻU KATALOGS
mt KATALGU TAL-PARTIJET
nl ONDERDELENKATALOGUS
no RESERVEDELSKATALOG
pl KATALOG CZĘŚCI
pt LISTA DE PEÇAS
sk KATALÓG DIELOV
sl KATALOG DELOV
sv RESERVEDELSKATALOG
ru КАТАЛОГ ДЕТАЛЕЙ
zh 零件目录

C.C.N. : 80445265
REV. : A
DATE : OCTOBER 2008

CONTENTS	
ENCLOSURE	5
MOTOR/AIREND ASSEMBLY	6
AIREND ASSEMBLY	9
COOLING SYSTEM.	10
TANK ASSEMBLY.	11
CONTROL PIPING	12
DRYER	13
DRYER	14
DRYER	15
INSTRUMENTATION / ELECTRICAL SYSTEM	16
INSTRUMENTATION / ELECTRICAL SYSTEM (4KW 220V 50HZ F.V.)	17
INSTRUMENTATION / ELECTRICAL SYSTEM (4KW 380/400/415V 50HZ F.V.)	18
INSTRUMENTATION / ELECTRICAL SYSTEM (5.5KW 220V 50HZ F.V.)	19
INSTRUMENTATION / ELECTRICAL SYSTEM (5.5KW 380/400/415V 50HZ F.V.)	20
INSTRUMENTATION / ELECTRICAL SYSTEM (7.5KW 220V 50HZ F.V.)	21
INSTRUMENTATION / ELECTRICAL SYSTEM (7.5KW 380/400/415V 50HZ F.V.)	22
INSTRUMENTATION / ELECTRICAL SYSTEM (4KW 220V 50HZ S/D)	23
INSTRUMENTATION / ELECTRICAL SYSTEM (4KW 380/400/415V 50HZ S/D)	24
INSTRUMENTATION / ELECTRICAL SYSTEM (5.5KW 220V 50HZ S/D).	25
INSTRUMENTATION / ELECTRICAL SYSTEM (5.5KW 380/400/415V 50HZ S/D).	26
INSTRUMENTATION / ELECTRICAL SYSTEM (7.5KW 220V 50HZ S/D).	27
INSTRUMENTATION / ELECTRICAL SYSTEM (7.5KW 380/400/415V 50HZ S/D).	28
INSTRUMENTATION / ELECTRICAL SYSTEM (11KW 220V 50HZ S/D)	29
INSTRUMENTATION / ELECTRICAL SYSTEM (11KW 380/400/415V 50HZ S/D)	30
INSTRUMENTATION / ELECTRICAL SYSTEM (5HP 200V 1PH 60HZ F.V.)	31
INSTRUMENTATION / ELECTRICAL SYSTEM (5HP 230V 1PH 60HZ F.V.)	32
INSTRUMENTATION / ELECTRICAL SYSTEM (7.5HP 230V 1PH 60HZ F.V.)	33
INSTRUMENTATION / ELECTRICAL SYSTEM (5HP 200V 60HZ F.V.)	34
INSTRUMENTATION / ELECTRICAL SYSTEM (5HP 230V 60HZ F.V.)	35
INSTRUMENTATION / ELECTRICAL SYSTEM (5HP 380V 60HZ F.V.)	36
INSTRUMENTATION / ELECTRICAL SYSTEM (5HP 460V 60HZ F.V.)	37
INSTRUMENTATION / ELECTRICAL SYSTEM (5HP 575V 60HZ F.V.)	38
INSTRUMENTATION / ELECTRICAL SYSTEM (7.5HP 200V 60HZ F.V.)	39
INSTRUMENTATION / ELECTRICAL SYSTEM (7.5HP 230V 60HZ F.V.)	40
INSTRUMENTATION / ELECTRICAL SYSTEM (7.5HP 380V 60HZ F.V.)	41
INSTRUMENTATION / ELECTRICAL SYSTEM (7.5HP 460V 60HZ F.V.)	42
INSTRUMENTATION / ELECTRICAL SYSTEM (7.5HP 575V 60HZ F.V.)	43
INSTRUMENTATION / ELECTRICAL SYSTEM (10HP 200V 60HZ F.V.)	44
INSTRUMENTATION / ELECTRICAL SYSTEM (10HP 230V 60HZ F.V.)	45
INSTRUMENTATION / ELECTRICAL SYSTEM (10HP 380V 60HZ F.V.)	46

INSTRUMENTATION / ELECTRICAL SYSTEM (10HP 460V 60HZ F.V.) 47
INSTRUMENTATION / ELECTRICAL SYSTEM (10HP 575V 60HZ F.V.) 48
INSTRUMENTATION / ELECTRICAL SYSTEM (15HP 200V 60HZ F.V.) 49
INSTRUMENTATION / ELECTRICAL SYSTEM (15HP 230V 60HZ F.V.) 50
INSTRUMENTATION / ELECTRICAL SYSTEM (15HP 380V 60HZ F.V.) 51
INSTRUMENTATION / ELECTRICAL SYSTEM (15HP 460V 60HZ F.V.) 52
INSTRUMENTATION / ELECTRICAL SYSTEM (15HP 575V 60HZ F.V.) 53
INSTRUMENTATION / ELECTRICAL SYSTEM (10HP 230V 60HZ S/D). 54
INSTRUMENTATION / ELECTRICAL SYSTEM (10HP 460V 60HZ S/D). 55
INSTRUMENTATION / ELECTRICAL SYSTEM (10HP 380V 60HZ S/D). 56
INSTRUMENTATION / ELECTRICAL SYSTEM (15HP 230V 60HZ S/D). 57
INSTRUMENTATION / ELECTRICAL SYSTEM (15HP 380V 60HZ S/D). 58
INSTRUMENTATION / ELECTRICAL SYSTEM (15HP 460V 60HZ S/D). 59
DOCUMENTATION. 60
RECOMMENDED PARTS 61

ABBREVIATIONS & SYMBOLS

- #### Contact **Ingersoll Rand** for serial number
- >#### Up to Serial No.
- ####-> From Serial No.
- * Not illustrated
- † Option
- NR Not required
- AR As required
- SM Sitemaster/Sitepack
- HA High ambient machine
- WC Watercooled machine
- AC Aircooled machine
- ERS Energy recovery system
- T.E.F.C. Totally enclosed fan cooled motor (IP54)
- O.D.P. Open drip proof (motor)
- ppm parts per million

General

This manual, which contains an illustrated parts breakdown, has been prepared as an aid in identifying and ordering parts for the machine. All of the parts, listed in the parts breakdown, are manufactured with the same precision as the original equipment.

Ingersoll Rand Company service facilities and parts are available worldwide. There are **Ingersoll Rand** Company Branch Offices and authorised distributors located in the principle cities of the United States. In Canada, our customers are serviced by the Canadian **Ingersoll Rand** Company, Limited. There are also **Ingersoll Rand** Company subsidiaries and authorised distributors located in the principle cities throughout the world.

Description

The illustrated parts breakdown identifies the various assemblies, sub-assemblies and detailed parts which make up this machine.

A series of illustrations show each part clearly and in its correct location relative to the other parts in the illustration. Each part in an illustration is referenced with a number. The number, description and quantity needed per assembly are listed in numerical order on the following pages.

How to use this parts manual

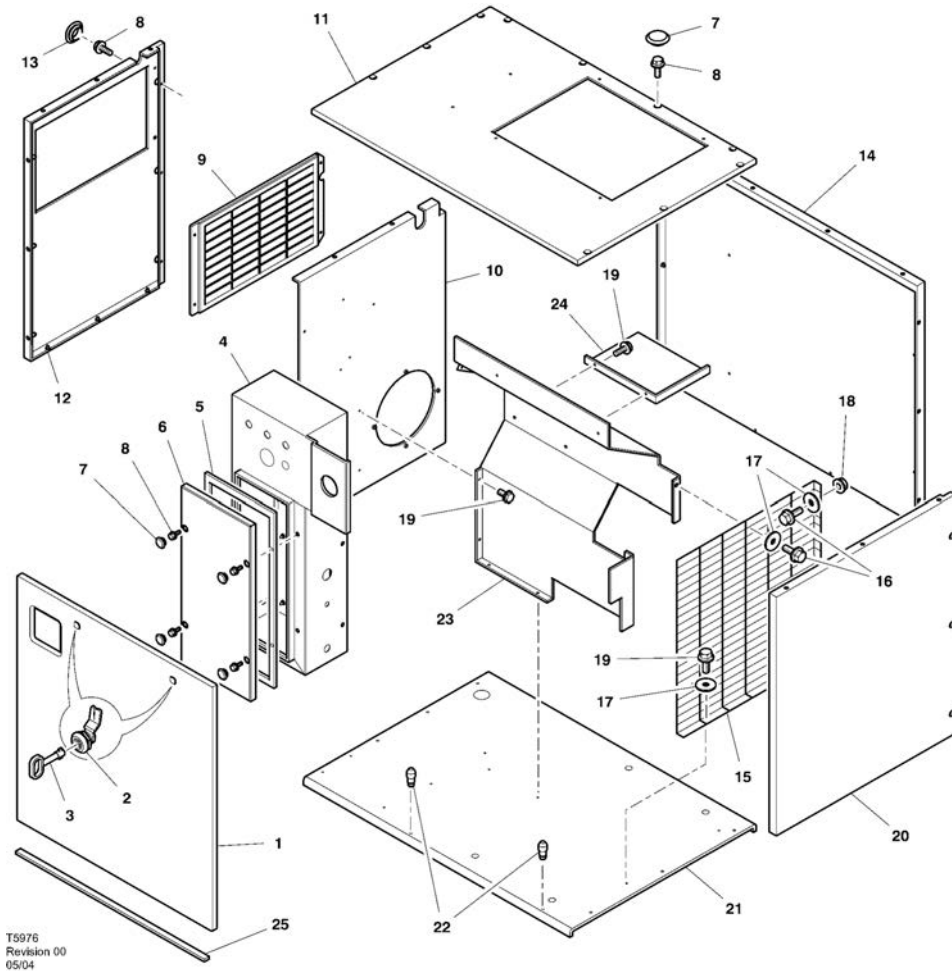
1. Locate the desired illustration.
2. Locate the part on the illustration by visual identification and note the reference number.
3. Find the reference number on the tabulated page, along with the Part Number and Description.

How to order parts

In order that all avoidable errors be eliminated when ordering parts, please specify the following:

1. The model number of the unit as shown on the Compressor Data Plate.
2. The serial number of the unit as shown on the Compressor Data Plate.
3. The part number of this manual.
4. The part number, description and quantity needed exactly as listed.
5. The motor data code shown on the motor data plate.

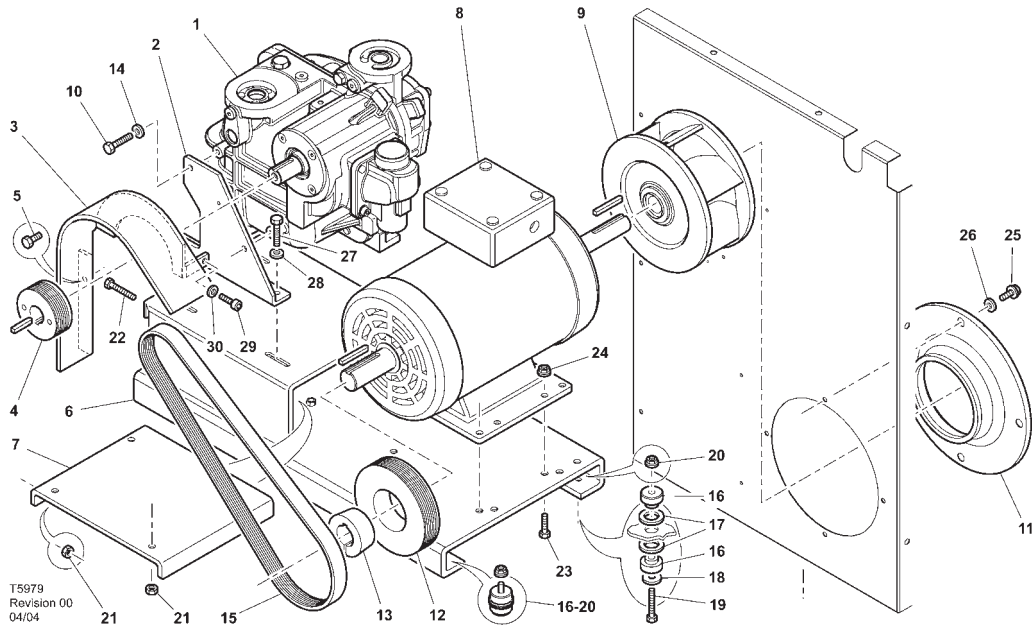
ENCLOSURE



Item	ccn	Qty.	Description	Item	ccn	Qty.	Description
1	22398358	1	Panel	11	22398341	1	Panel
2	23180557	2	Latch	12	22398325	1	Panel
3	89295091	1	Key	13	22380422	3	Cap
4-8	42569715	1	Starter box assy (NEMA 1)	14	22368039	1	Panel
4-8	42569723	1	Starter box assy (IP55)	15	22401244	1	Grille
4	22452429	1	Cabinet, starter	16	96742689	AR	Screw
5	85034544	58	Gasket	17	96745559	AR	Washer
6	22398366	1	Door	18	96737564	2	Nut
7	22053433	AR	Cap	19	92368687	AR	Screw
8	96742689	AR	Screw	20	22398333	1	Panel
9	22421143	1	Grille	21	22313001	1	Base
10	22317788	1	Panel 10/15HP	22	39138490	AR	Pin, locating
10	22394506	1	Panel 5/7.5HP	23	22357354	1	Panel
				24	22417166	1	Panel
				25	85038412	1	Gasket

UP5-4, UP5-5.5, UP5-7.5, UP5-11c, UP6-5, UP6-7.5, UP6-10, UP6-15c

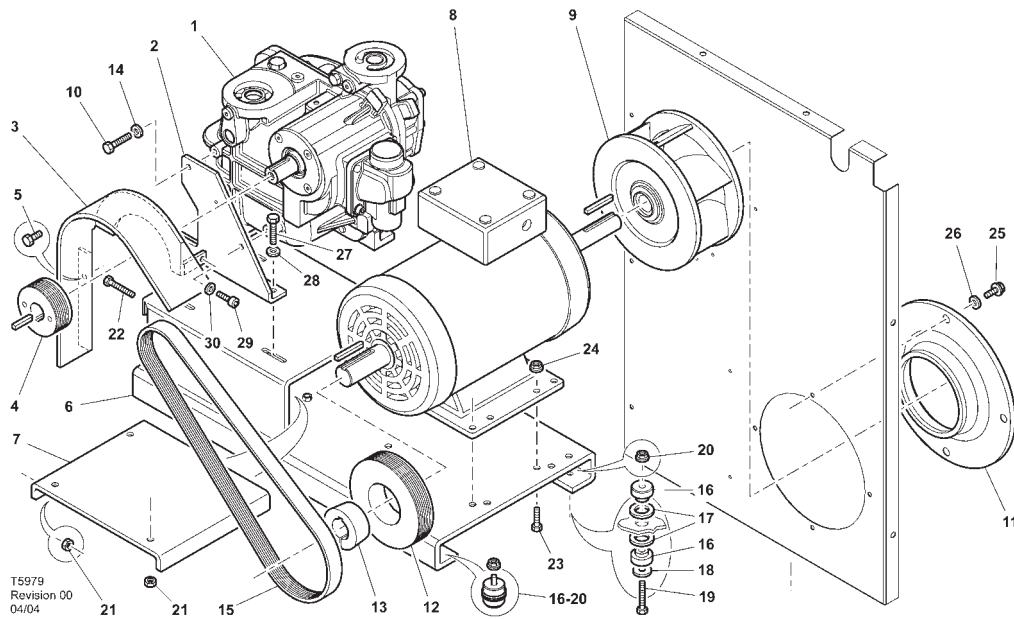
MOTOR/AIREND ASSEMBLY



Item	ccn	Qty.	Description	Item	ccn	Qty.	Description
1	22321061	1	Compressor	4	22386577	1	5HP 125PSIG
2	22288633	1	Bracket	5	92368687	1	Screw
3	22404834	1	Guard	6	22348486	1	Base
			Pulley	7	22357388	1	Plate
4	22386684	1	11KW 14BAR				Motor
4	22386676	1	11KW 10BAR	8	22368203	1	60HZ 15HP 200V FV ODP
4	22409304	1	11KW 8.5BAR	8	22368211	1	60HZ 15HP 200/460V FV ODP
4	22386718	1	7.5KW 14BAR	8	22374862	1	60HZ 15HP 200/460V FV/SD TEFC
4	22386700	1	7.5KW 10BAR	8	22368229	1	60HZ 15HP 575V ODP
4	22409296	1	7.5KW 8.5BAR	8	22368237	1	60HZ 10HP 200V FV ODP
4	22408801	1	5.5KW 14BAR	8	22368245	1	60HZ 10HP 200V FV ODP
4	22386643	1	5.5KW 10BAR	8	22368526	1	60HZ 10HP 230/460V FV/SD TEFC
4	22386635	1	5.5KW 8.5BAR	8	22368252	1	60HZ 10HP 575V FV ODP
4	22386650	1	4KW 14BAR	8	22368260	1	60HZ 7.5HP 200V FV ODP
4	22386643	1	4KW 10BAR	8	22368278	1	60HZ 7.5HP 230/460V FV ODP
4	22386635	1	4KW 8.5BAR	8	22374870	1	60HZ 7.5HP 230/460V FV/SD TEFC
4	22375281	1	15HP 210PSIG	8	22368286	1	60HZ 7.5HP 575V FV ODP
4	22375273	1	15HP 150PSIG	8	22368294	1	60HZ 5HP 200V FV ODP
4	22375265	1	15HP 125PSIG	8	22368302	1	60HZ 5HP 230/460V FV ODP
4	22375315	1	10HP 210PSIG	8	22368534	1	60HZ 5HP 230/460V FV/SD TEFC
4	22375307	1	10HP 150PSIG	8	22368310	1	60HZ 5HP 575V FV ODP
4	22375299	1	10HP 125PSIG	8	22376073	1	50HZ 11KW 380V S/D IP55
4	22408819	1	7.5HP 210PSIG	8	22384986	1	50HZ 11KW 400V S/D IP55
4	22408801	1	7.5HP 150PSIG	8	22376057	1	50HZ 7.5KW 380V S/D IP55
4	22386544	1	7.5HP 125PSIG	8	22384994	1	50HZ 7.5KW 400V S/D IP55
4	22386593	1	5HP 210PSIG	8	22376065	1	50HZ 5.5KW 380V S/D IP55
4	22386585	1	5HP 150PSIG	8	22384978	1	50HZ 5.5KW 400V S/D IP55

UP5-4, UP5-5.5, UP5-7.5, UP5-11c, UP6-5, UP6-7.5, UP6-10, UP6-15c

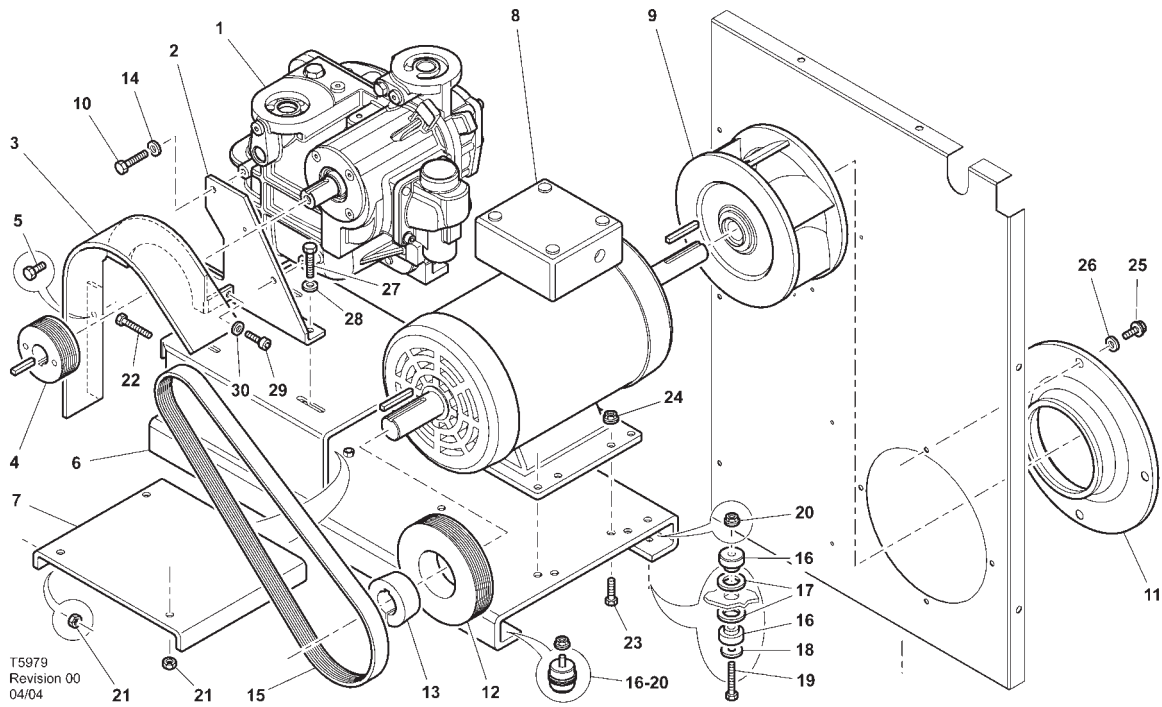
MOTOR/AIREND ASSEMBLY



Item	ccn	Qty.	Description	Item	ccn	Qty.	Description
8	22378103	1	50HZ 4KW 380V S/D IP55	12	22386742	1	10HP 150PSIG
8	22384960	1	50HZ 4KW 400V S/D IP55	12	22386742	1	10HP 125PSIG
			Fan	12	22408769	1	7.5HP 210PSIG
9	22436349	1	60HZ 15HP	12	22408769	1	7.5HP 150PSIG
9	22436398	1	60HZ 10HP	12	22386775	1	7.5HP 125PSIG
9	22436406	1	60HZ 5/7.5HP	12	22386783	1	5HP 210PSIG
9	22442115	1	50HZ 7.5/11KW	12	22387683	1	5HP 150PSIG
9	22436398	1	50HZ 4.5/5KW	12	22386775	1	5HP 125PSIG
10	96702824	2	Screw				Bush
			Flange	13	22386882	1	11KW 14BAR
11	22348239	1	60HZ 15HP	13	22386882	1	11KW 10BAR
	22348239	1	60HZ 10HP	13	22386882	1	11KW 8.5BAR
	22348221	1	60HZ 5/7.5HP	13	22386882	1	7.5KW 14BAR
	22348247	1	50HZ 7.5/11KW	13	22386882	1	7.5KW 10BAR
	22348239	1	50HZ 4.5/5KW	13	22386882	1	7.5KW 8.5BAR
			Pulley	13	22386890	1	5.5KW 14BAR
12	22386734	1	11KW 14BAR	13	22386890	1	5.5KW 10BAR
12	22386759	1	11KW 10BAR	13	22386890	1	5.5KW 8.5BAR
12	22386759	1	11KW 8.5BAR	13	22386890	1	4KW 14BAR
12	22386742	1	7.5KW 14BAR	13	22386890	1	4KW 10BAR
12	22386742	1	7.5KW 10BAR	13	22386890	1	4KW 8.5BAR
12	22386734	1	7.5KW 8.5BAR	13	22375125	1	15HP 210PSIG
12	22408769	1	5.5KW 14BAR	13	22375125	1	15HP 150PSIG
12	22408744	1	5.5KW 10BAR	13	22375125	1	15HP 125PSIG
12	22408744	1	5.5KW 8.5BAR	13	22375125	1	10HP 210PSIG
12	22386783	1	4KW 14BAR	13	22375125	1	10HP 150PSIG
12	22386783	1	4KW 10BAR	13	22375125	1	10HP 125PSIG
12	22386775	1	4KW 8.5BAR	13	22386908	1	7.5HP 210PSIG
12	22386742	1	15HP 210PSIG	13	22386908	1	7.5HP 150PSIG
12	22386734	1	15HP 150PSIG	13	22386908	1	7.5HP 125PSIG
12	22386734	1	15HP 125PSIG	13	22386908	1	5HP 210PSIG
12	22386742	1	10HP 210PSIG	13	22386908	1	5HP 150PSIG

UP5-4, UP5-5.5, UP5-7.5, UP5-11c, UP6-5, UP6-7.5, UP6-10, UP6-15c

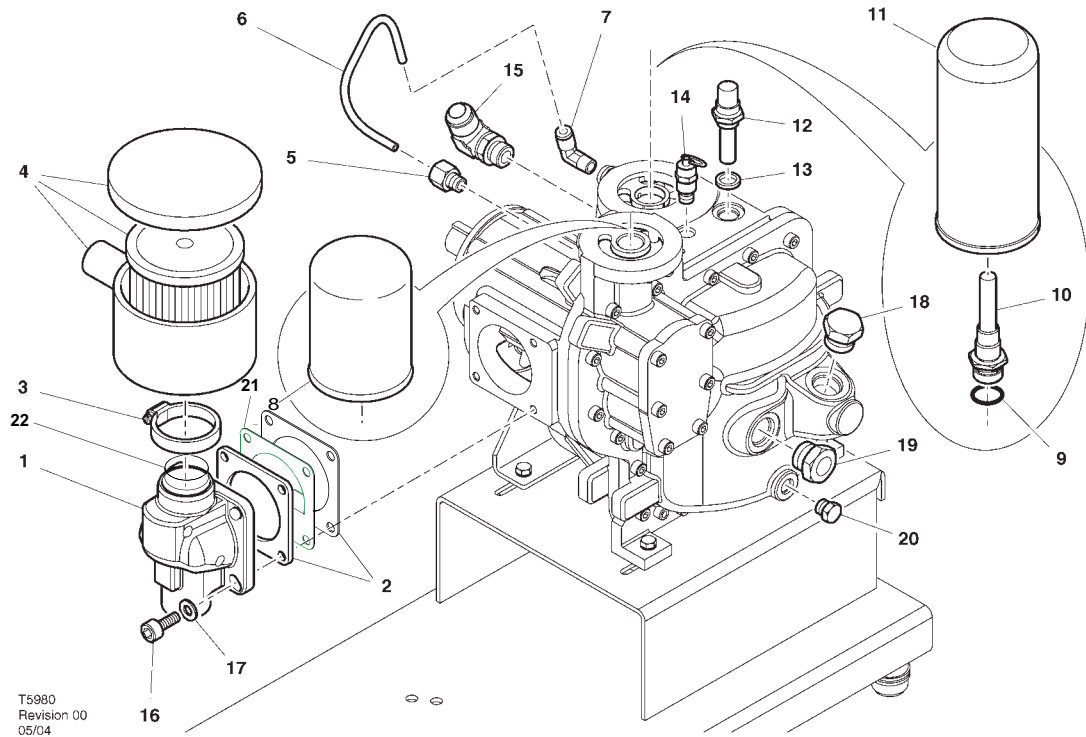
MOTOR/AIREND ASSEMBLY



Item	ccn	Qty.	Description	Item	ccn	Qty.	Description
13	22386908	1	5HP 125PSIG	15	89296578	1	7.5HP 210PSIG
14	96728316	2	Washer	15	89296560	1	7.5HP 150PSIG
			Belt, drive	15	89306294	1	7.5HP 125PSIG
15	54400726	1	11KW 14BAR	15	89296578	1	5HP 210PSIG
15	89296586	1	11KW 10BAR	15	89296560	1	5HP 150PSIG
15	89296586	1	11KW 8.5BAR	15	89296560	1	5HP 125PSIG
15	54400726	1	7.5KW 14BAR	16	22419923	4	Isolator, vibration
15	54420708	1	7.5KW 10BAR	17	96726971	8	Washer
15	54400726	1	7.5KW 8.5BAR	18	96740188	4	Washer
15	89296560	1	5.5KW 14BAR	19	96702402	4	Screw
15	54438106	1	5.5KW 10BAR	20	96704416	4	Nut
15	54438106	1	5.5KW 8.5BAR	21	96701370	6	Nut
15	89296560	1	4KW 14BAR	22	96704960	2	Screw
15	89296552	1	4KW 10BAR	23	96705983	4	Screw
15	89296552	1	4KW 8.5BAR	24	96704846	4	Nut
15	54420708	1	15HP 210PSIG	25	96742689	4	Screw
15	54400726	1	15HP 150PSIG	26	14084123	4	Washer
15	89306302	1	15HP 125PSIG	27	96702261	4	Screw
15	89296586	1	10HP 210PSIG	28	96728316	4	Lockwasher
15	89306302	1	10HP 150PSIG	29	96702824	2	Capscrew
15	54420708	1	10HP 125PSIG	30	96728316	2	Washer

UP5-4, UP5-5.5, UP5-7.5, UP5-11c, UP6-5, UP6-7.5, UP6-10, UP6-15c

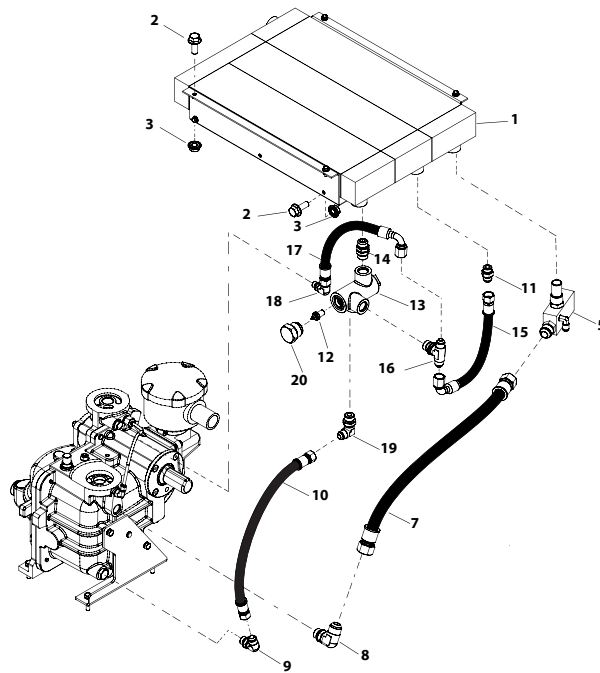
AIREND ASSEMBLY



Item	ccn	Qty.	Description	Item	ccn	Qty.	Description
1	22937748	1	Valve, inlet	14	22378665	1	Valve, safety 60HZ (ASME)
1	22937759	1	Valve, inlet Star Delta	14	22401590	1	Valve, safety 50HZ (PED)
2	54636501	2	Gasket	14	22431761	1	Valve, safety 8.8BAR (GB)
3	95235156	1	Clamp	14	22431779	1	Valve, safety 11BAR (GB)
4	89243778	1	Filter assembly	14	22431787	1	Valve, safety 16BAR (GB)
5	22380216	1	Valve, check	15	95988358	1	Elbow
6	92490358	AR	Tube (Nylon)	16	96708060	4	Screw
7	92067933	1	Elbow	17	96704671	4	Washer
8	39329602	1	Filter	18	23176068	1	Cap
9	95025466	1	'O' Ring	19	39324496	1	Sight-glass
10	22232813	1	Stem	20	95938205	1	Plug
11	22388045	1	Element, separator	21	22471817	1	Baffle
12	22275879	1	High air temperature switch	22	89246078	1	Seal, spacer
13	39404165	1	'O' Ring				

UP5-4, UP5-5.5, UP5-7.5, UP5-11c, UP6-5, UP6-7.5, UP6-10, UP6-15c

COOLING SYSTEM

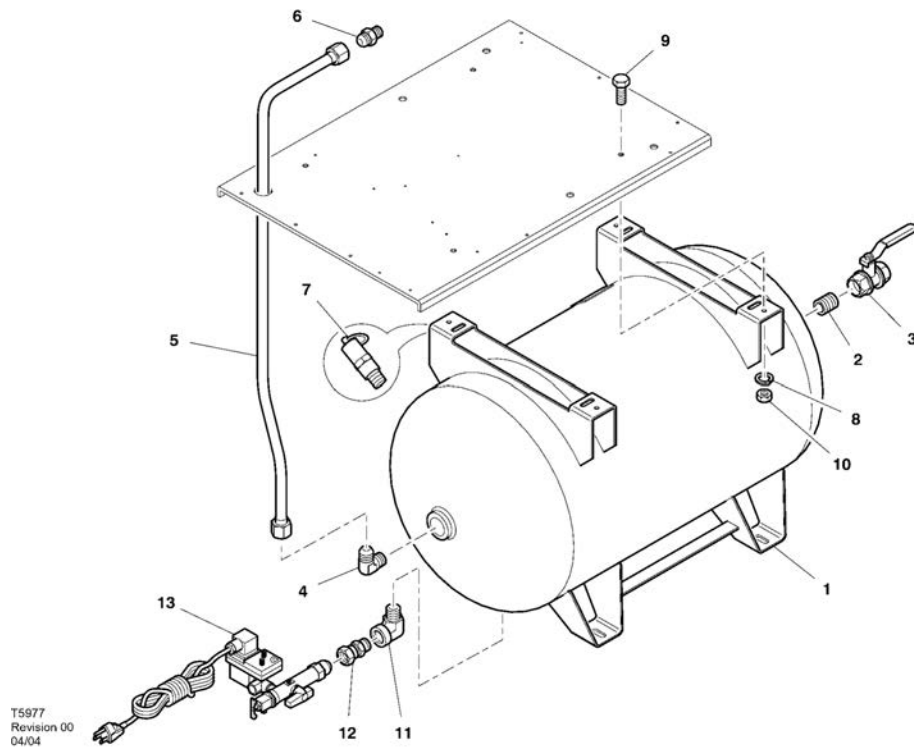


T5981
Revision 00
04/04

Item	ccn	Qty.	Description	Item	ccn	Qty.	Description
1	22357941	1	Cooler, Oil/Air	12	22463368	1	Actuator, thermal
2	96742689	6	Bolt	13	22456214	1	Block, thermostatic valve
3	96737564	6	Nut	14	22305965	1	Connector
5	23134422	1	Valve, minimum pressure	15	85559144	1	Hose assembly
7	85560274	1	Hose assembly	16	95647889	1	Tee
8	95984563	1	Elbow	17	85559144	1	Hose assembly
9	95992822	1	Elbow	18	95988358	1	Elbow
10	85558898	1	Hose assembly	19	95052379	1	Elbow
11	95938122	1	Connector	20	22186688	1	Plug, thermal valve

UP5-4, UP5-5.5, UP5-7.5, UP5-11c, UP6-5, UP6-7.5, UP6-10, UP6-15c

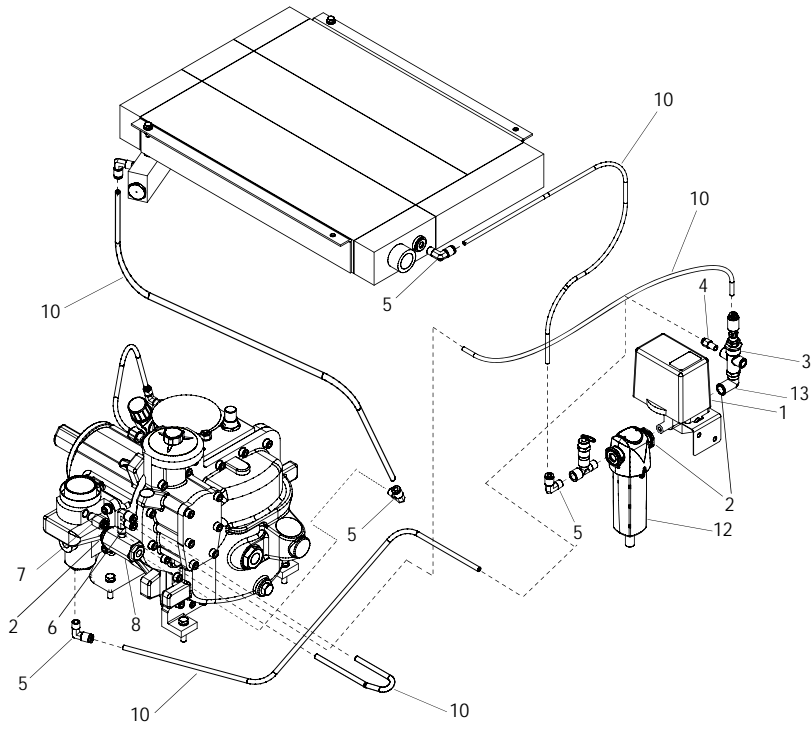
TANK ASSEMBLY



Item	ccn	Qty.	Description	Item	ccn	Qty.	Description
1	22325500	1	Tank 80 Gal.	22469597	1	1	Tube assembly 272 Litre
	22348296	1	Tank 120 Gal.	22469613	1	1	Tube assembly 500 Litre
	22436307	1	Tank 272 Litre. 16BAR AUSTRALIA	22420582	1	1	Tube assembly Baseplate (NPT)
	18999805	1	Tank 272 Litre. 11BAR CHINA	22389472	1	1	Tube assembly Baseplate (NPT)
	22479430	1	Tank 272 Litre. 11BAR AUSTRALIA	6	92106210	1	Connector
	18999813	1	Tank 272 Litre. 16BAR CHINA	7	22052450	1	Valve, safety
	22391023	1	Tank 500 Litre.	8	32346439	4	Lockwasher
2	95458808	1	Nipple 80 Gal / 120 Gal	9	96719869	4	Screw
3	32106569	1	Valve, ball 80 Gal / 120 Gal	10	96701743	4	Nut
	93179661	1	Valve, ball 272 Litre / 500 Litre	11	54393335	1	Elbow
4	95937637	1	Elbow 80 Gal / 120 Gal	12	95989638	1	Adaptor
	92176692	1	Elbow 272 Litre / 500 Litre	13	54579248	1	Valve, drain 60Hz
5	22435200	1	Tube assembly 80 Gal			1	Valve, drain 50Hz
	22441414	1	Tube assembly 120 Gal				

UP5-4, UP5-5.5, UP5-7.5, UP5-11c, UP6-5, UP6-7.5, UP6-10, UP6-15c

CONTROL PIPING

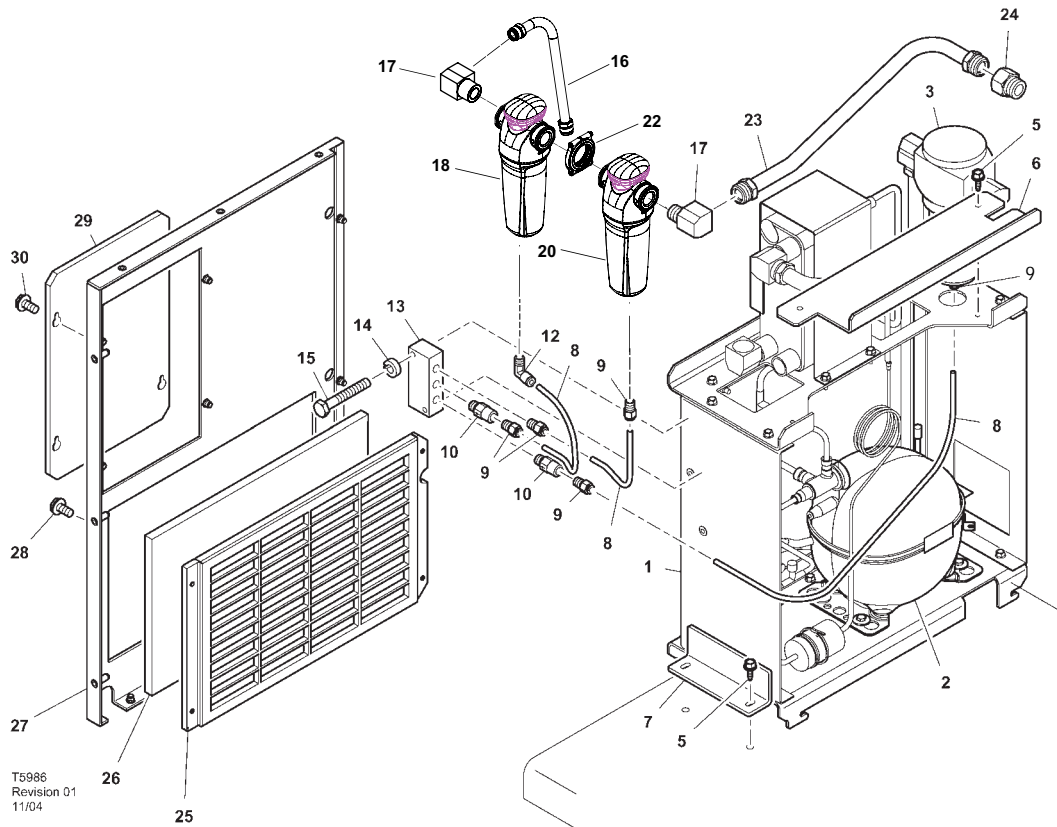


T5982
Revision 00
04/04

Item	ccn	Qty.	Description	Item	ccn	Qty.	Description
			Switch, pressure	3	39266051	1	10BAR (UP Series) 5–15HP
1	23028970	1	125PSIG (UP Series) 5–15HP	4	92715051	1	Connector
1	23028988	1	150PSIG (UP Series) 5–15HP	5	54403266	5	Elbow
1	23028996	1	210PSIG (UP Series) 5–15HP	6	92794262	1	Elbow, double
1	23029002	1	8BAR (UP Series) 5–15HP	7	22601926	1	Diverter
1	23029010	1	10BAR (UP Series) 5–15HP	8	22995427	1	Valve, blowdown
2	92354539	3	Nipple	*9	22420376	1	Connector
			Valve, pilot	10	92490358	AR	Tube (Nylon)
3	39266077	1	125PSIG (UP Series) 5–15HP	11	92368687	2	Screw
3	39266044	1	150PSIG (UP Series) 5–15HP	12	23012297	1	Filter
3	39266069	1	210PSIG (UP Series) 5–15HP	13	92354505	1	Elbow
3	39266036	1	8BAR (UP Series) 5–15HP				* Not illustrated

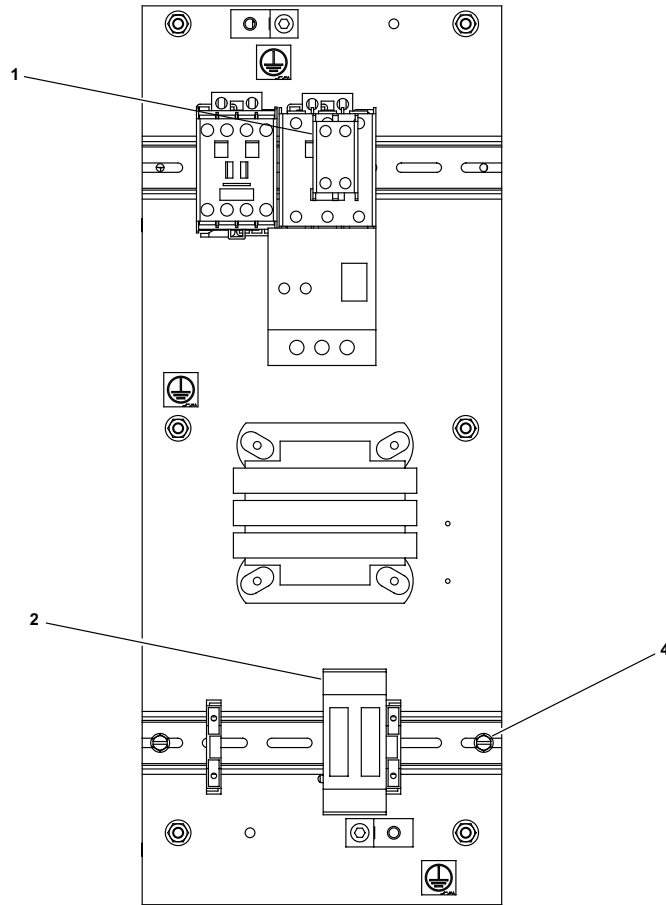
UP5-4, UP5-5.5, UP5-7.5, UP5-11c, UP6-5, UP6-7.5, UP6-10, UP6-15c

DRYER



Item	ccn	Qty.	Description	Item	ccn	Qty.	Description
1	42578740	1	Dryer - 4/11 KW 50Hz	*19	88343025	1	Element
	42578732	1	Dryer - 10/15 HP 60Hz		85565596		
	42582601	1	Dryer - 5/7.5 HP		85567139		Fliter HX
2	22381628	1	Compressor		*85565562		Element
3	22455513	1	Seperator, water	20	42515825	1	Filter
5	96738695	4	Setscrew		85567162		F1081 GX
6	22479356	1	Panel	*21	88342993	1	Element
7	22458756	1	Bracket		85565588		
8	22415186	AR	Tube (Nylon)		85567121		Filter F711 GX
9	22601371	5	Connector		*85565547		Element
10	22602197	2	Valve, check	22	85566305	1	Clamp
12	22601389	1	Elbow	23	22402838	1	Pipe
13	22480107	1	Manifold	24	95083275	1	Adaptor
14	96727573	2	Lockwasher	25	22421143	1	Grille
15	96706809	2	Screw	26	22421853	1	Filter
16	23317019	1	Pipe	27	22481485	1	Panel
17	95031761	2	Elbow	28	92368687	4	Screw
18	42515957	1	Filter	29	22481493	1	Cover
	85567170		F1081 HX	30	96742689	4	Setscrew

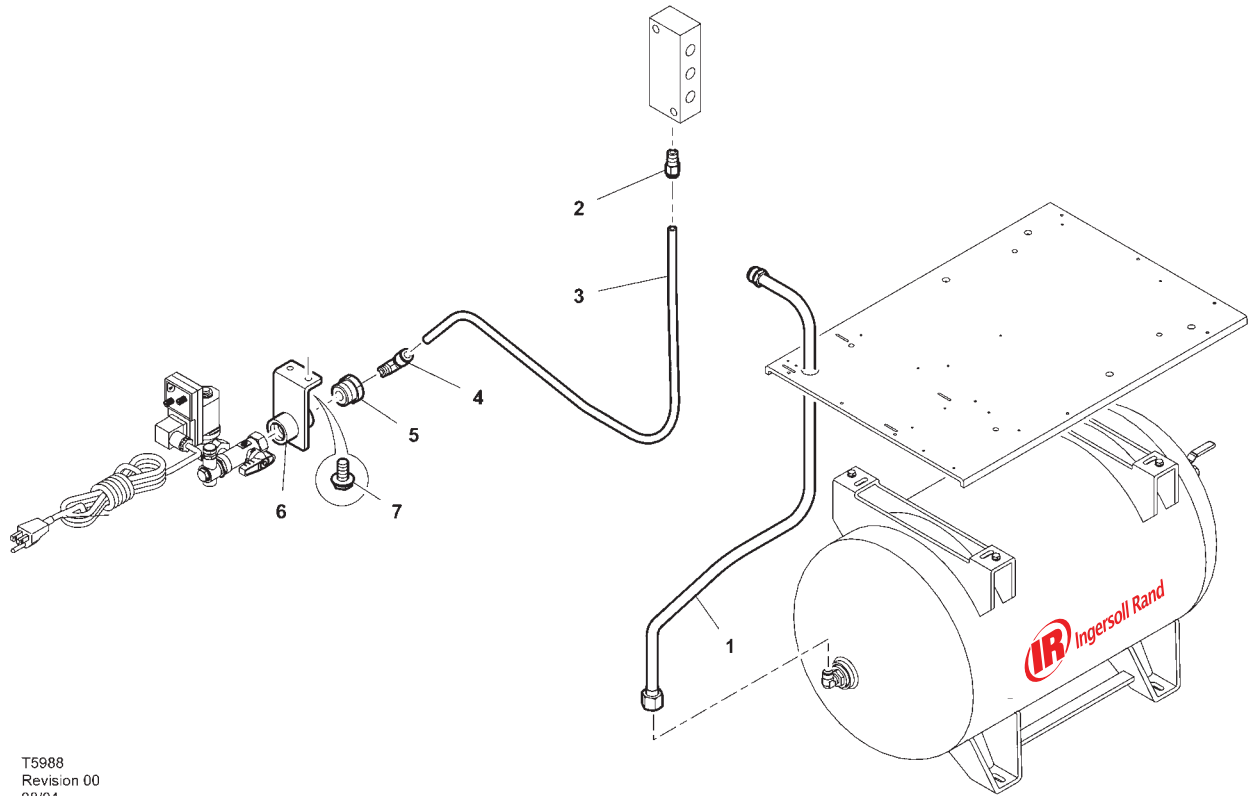
UP5-4, UP5-5.5, UP5-7.5, UP5-11c, UP6-5, UP6-7.5, UP6-10, UP6-15c



T5987
 Revision 01
 11/04

Item	ccn	Qty.	Description	Item	ccn	Qty.	Description
1	39251137	1	Contact, auxilliary		22480313	2	Fuse, 60Hz
2	22505762	1	Starter assembly	4	95162020	2	Screw
*3	22480305	2	Fuse, 50Hz				

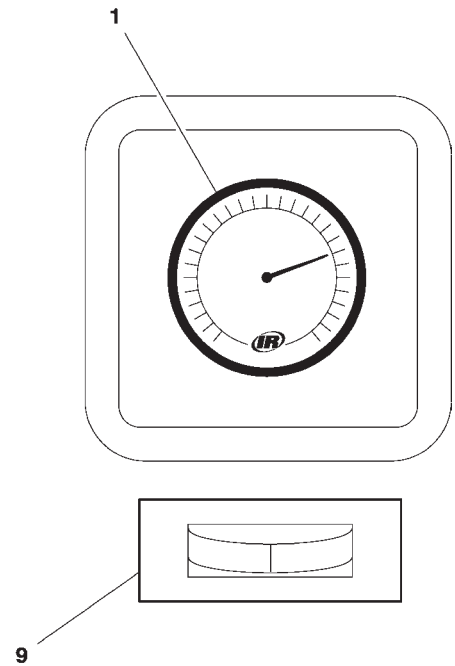
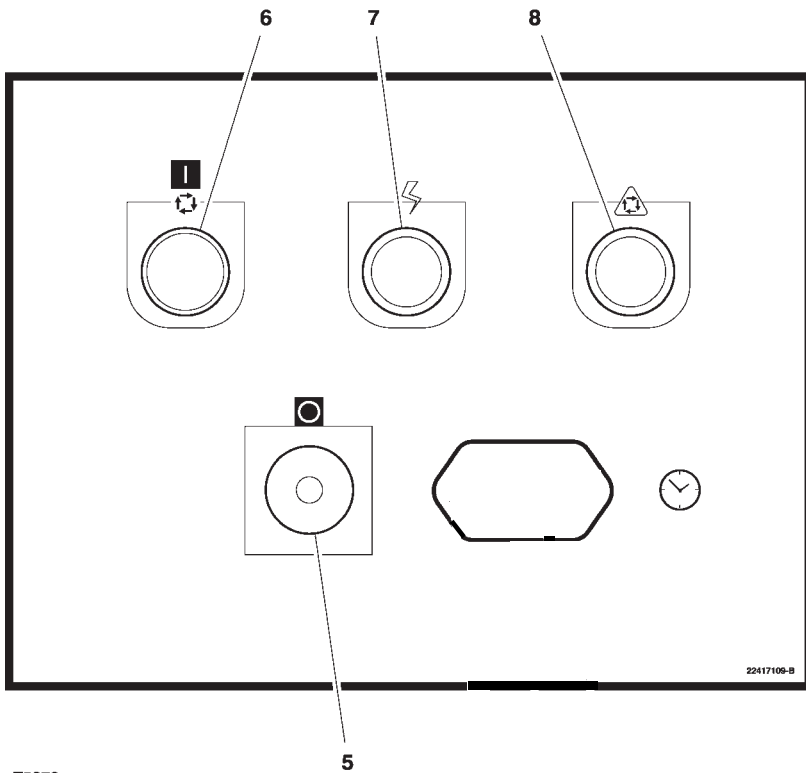
UP5-4, UP5-5.5, UP5-7.5, UP5-11c, UP6-5, UP6-7.5, UP6-10, UP6-15c



T5988
Revision 00
08/04

Item	ccn	Qty.	Description	Item	ccn	Qty.	Description
1	22479794	1	Tube assembly	5	95037412	1	Adaptor
2	39156419	1	Adaptor	6	22480735	1	Bracket
3	42578245	1	Tube (Nylon)	7	92368687	2	Screw
4	42578245	1	Elbow				

UP5-4, UP5-5.5, UP5-7.5, UP5-11c, UP6-5, UP6-7.5, UP6-10, UP6-15c



T5972
Revision 03
05/04

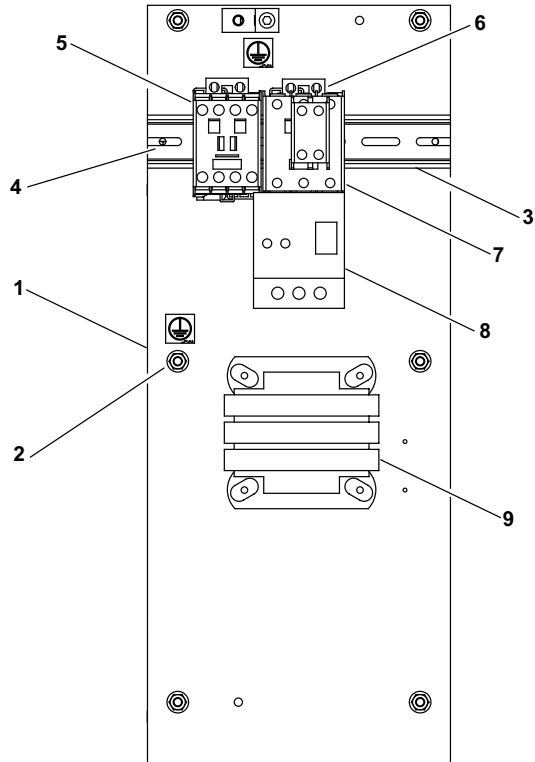
Item	ccn	Qty.	Description	Item	ccn	Qty.	Description
1	54772058	1	Gauge	7	22384929	1	Indicator (Green)
*	22451140	1	Washer, sealing IP55	8	22384937	1	Indicator (Amber)
5	22384952	1	Button, emergency stop	9	22454540	1	Indicator, dewpoint (Dryer option)
6	22441489	1	Button, start	*	22160030	4	washer, sealing IP55

* Not illustrated

UP5-4, UP5-5.5, UP5-7.5, UP5-11c, UP6-5, UP6-7.5, UP6-10, UP6-15c

INSTRUMENTATION / ELECTRICAL SYSTEM

4kW
220V
50Hz
F.V.



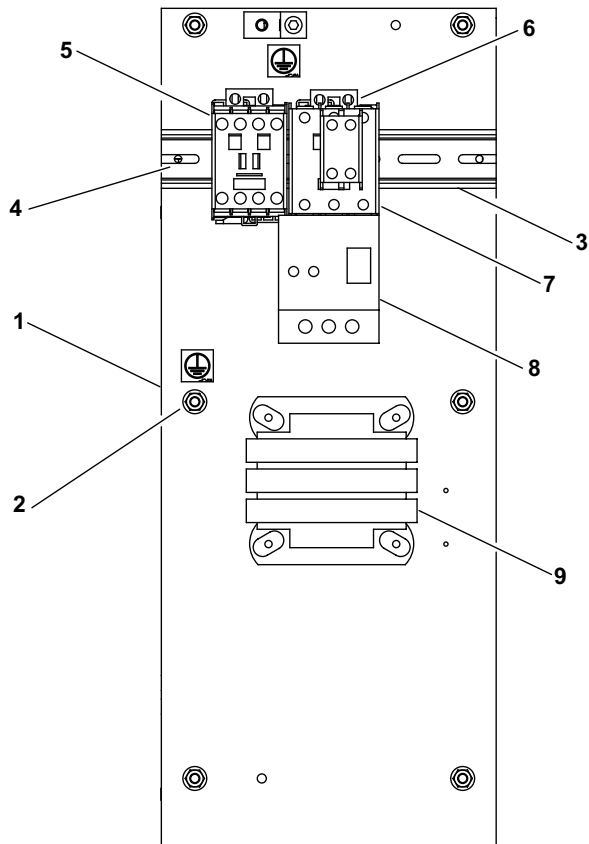
T5984
Revision 00
05/04

Item	ccn	Qty.	Description	Item	ccn	Qty.	Description
1	22413991	1	Panel	6	22132963	1	Contact, auxilliary
2	96737564	6	Nut	7	22384408	1	Contact (43A)
3	22411987	1	Rail	8	22395933	1	Relay, overload
4	35252279	2	Screw	9	22395891	1	Transformer, fuse block
5	39255559	1	Relay, control				

UP5-4, UP5-5.5, UP5-7.5, UP5-11c, UP6-5, UP6-7.5, UP6-10, UP6-15c

INSTRUMENTATION / ELECTRICAL SYSTEM

4kW
380/400/
415V
50Hz
F.V.



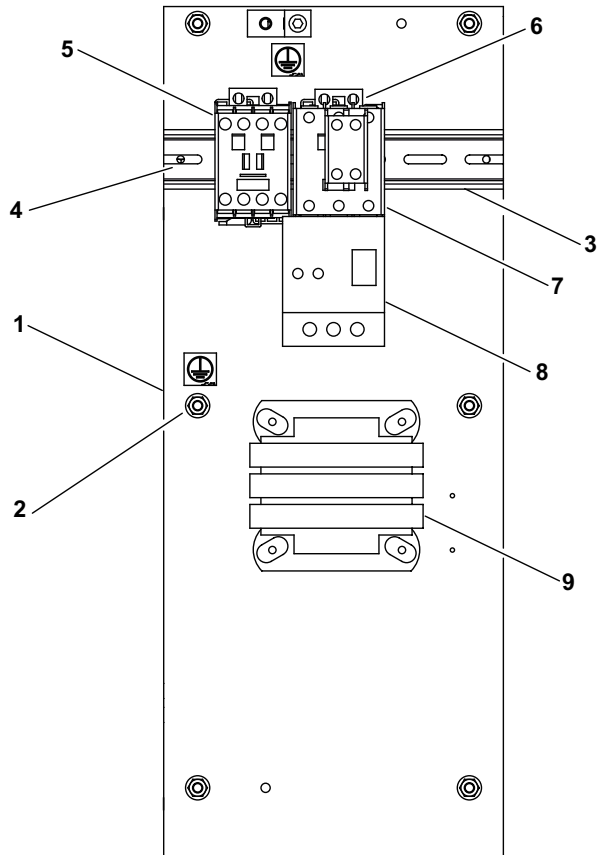
T5984
 Revision 00
 05/04

Item	ccn	Qty.	Description	Item	ccn	Qty.	Description
1	22413991	1	Panel	6	22132963	1	Contact, auxilliary
2	96737564	6	Nut	7	22384408	1	Contactor (43A)
3	22411987	1	Rail	8	22395933	1	Relay, overload
4	35252279	2	Screw	9	22395891	1	Transformer, fuse block
5	39255559	1	Relay, control				

UP5-4, UP5-5.5, UP5-7.5, UP5-11c, UP6-5, UP6-7.5, UP6-10, UP6-15c

INSTRUMENTATION / ELECTRICAL SYSTEM

5.5kW
220V
50Hz
F.V.



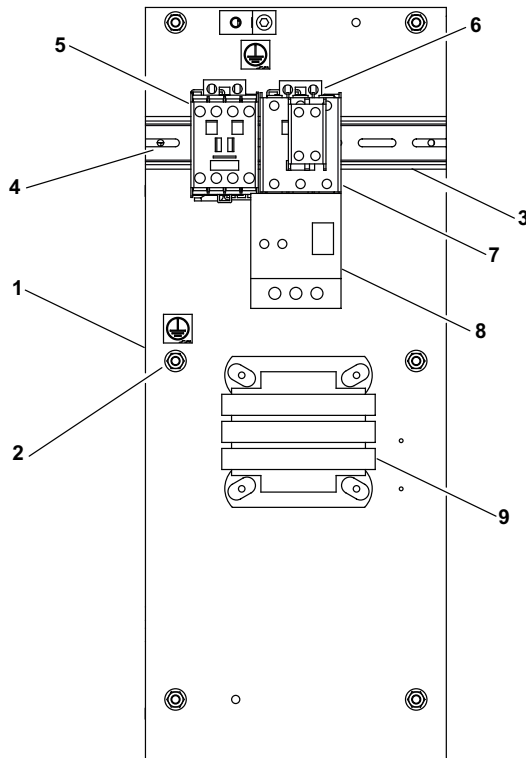
T5984
Revision 00
05/04

Item	ccn	Qty.	Description	Item	ccn	Qty.	Description
1	22413991	1	Panel	6	22132963	1	Contact, auxilliary
2	96737564	6	Nut	7	22384408	1	Contactur (43A)
3	22411987	1	Rail	8	22395933	1	Relay, overload
4	35252279	2	Screw	9	22395891	1	Transformer, fuse block
5	39255559	1	Relay, control				

UP5-4, UP5-5.5, UP5-7.5, UP5-11c, UP6-5, UP6-7.5, UP6-10, UP6-15c

INSTRUMENTATION / ELECTRICAL SYSTEM

5.5kW
 380/400/
 415V
 50Hz
 F.V.



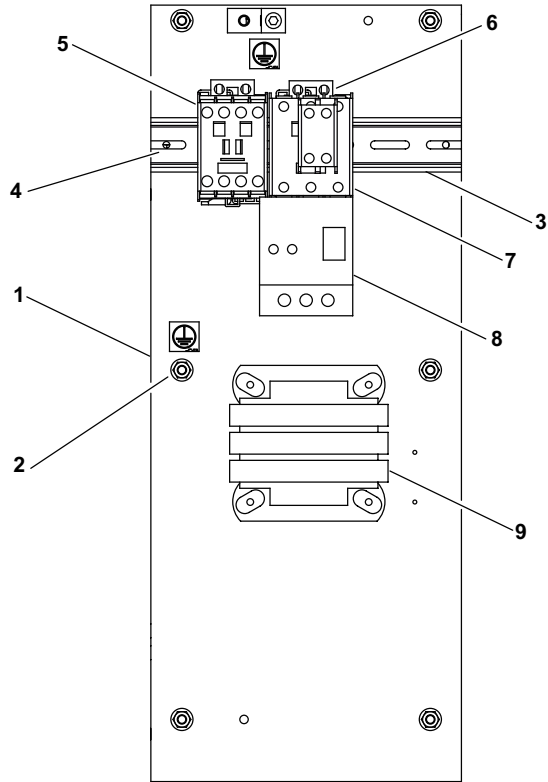
T5984
 Revision 00
 05/04

Item	ccn	Qty.	Description	Item	ccn	Qty.	Description
1	22413991	1	Panel	6	22132963	1	Contact, auxilliary
2	96737564	6	Nut	7	22384408	1	Contactor (43A)
3	22411987	1	Rail	8	22395933	1	Relay, overload
4	35252279	2	Screw	9	22395891	1	Transformer, fuse block
5	39255559	1	Relay, control				

UP5-4, UP5-5.5, UP5-7.5, UP5-11c, UP6-5, UP6-7.5, UP6-10, UP6-15c

INSTRUMENTATION / ELECTRICAL SYSTEM

7.5kW
220V
50Hz
F.V.



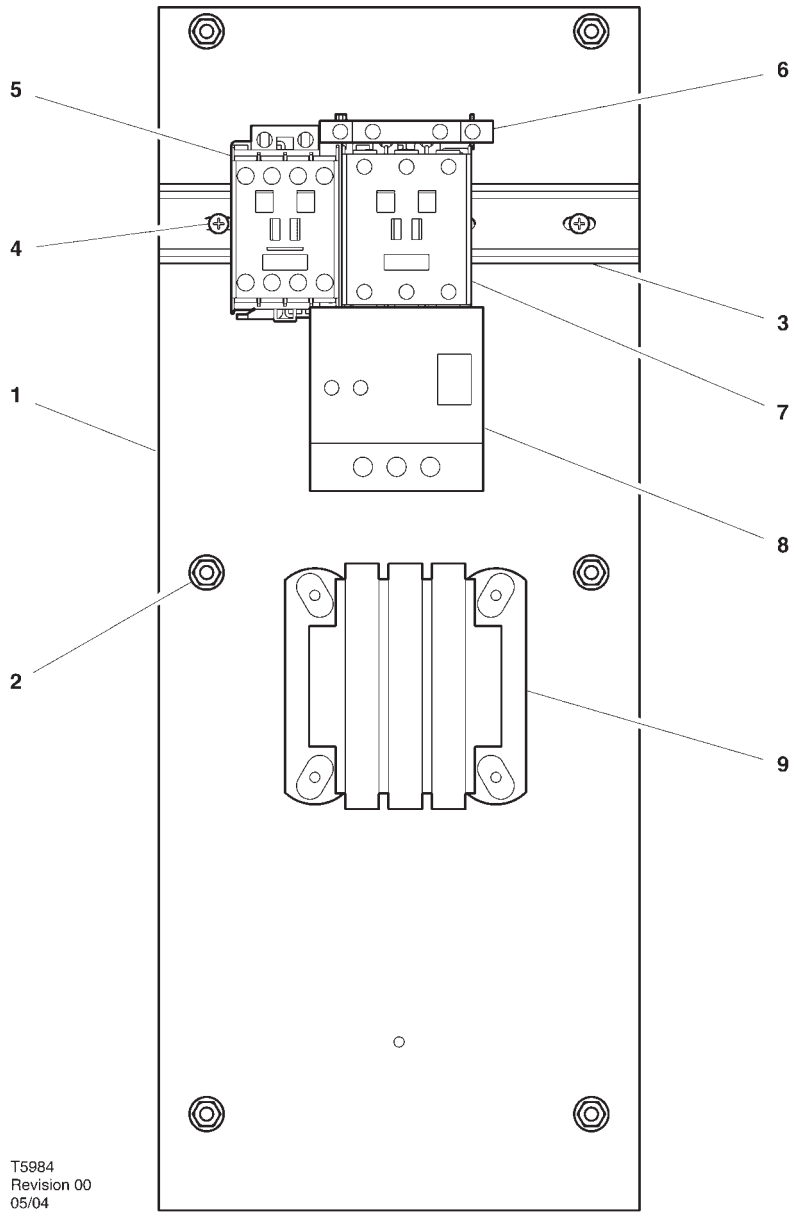
T5984
Revision 00
05/04

Item	ccn	Qty.	Description	Item	ccn	Qty.	Description
1	22413991	1	Panel	6	22132963	1	Contact, auxilliary
2	96737564	6	Nut	7	22384408	1	Contactur (43A)
3	22411987	1	Rail	8	22395933	1	Relay, overload
4	35252279	2	Screw	9	22395891	1	Transformer, fuse block
5	39255559	1	Relay, control				

UP5-4, UP5-5.5, UP5-7.5, UP5-11c, UP6-5, UP6-7.5, UP6-10, UP6-15c

INSTRUMENTATION / ELECTRICAL SYSTEM

7.5kW
 380/400/
 415V
 50Hz
 F.V.



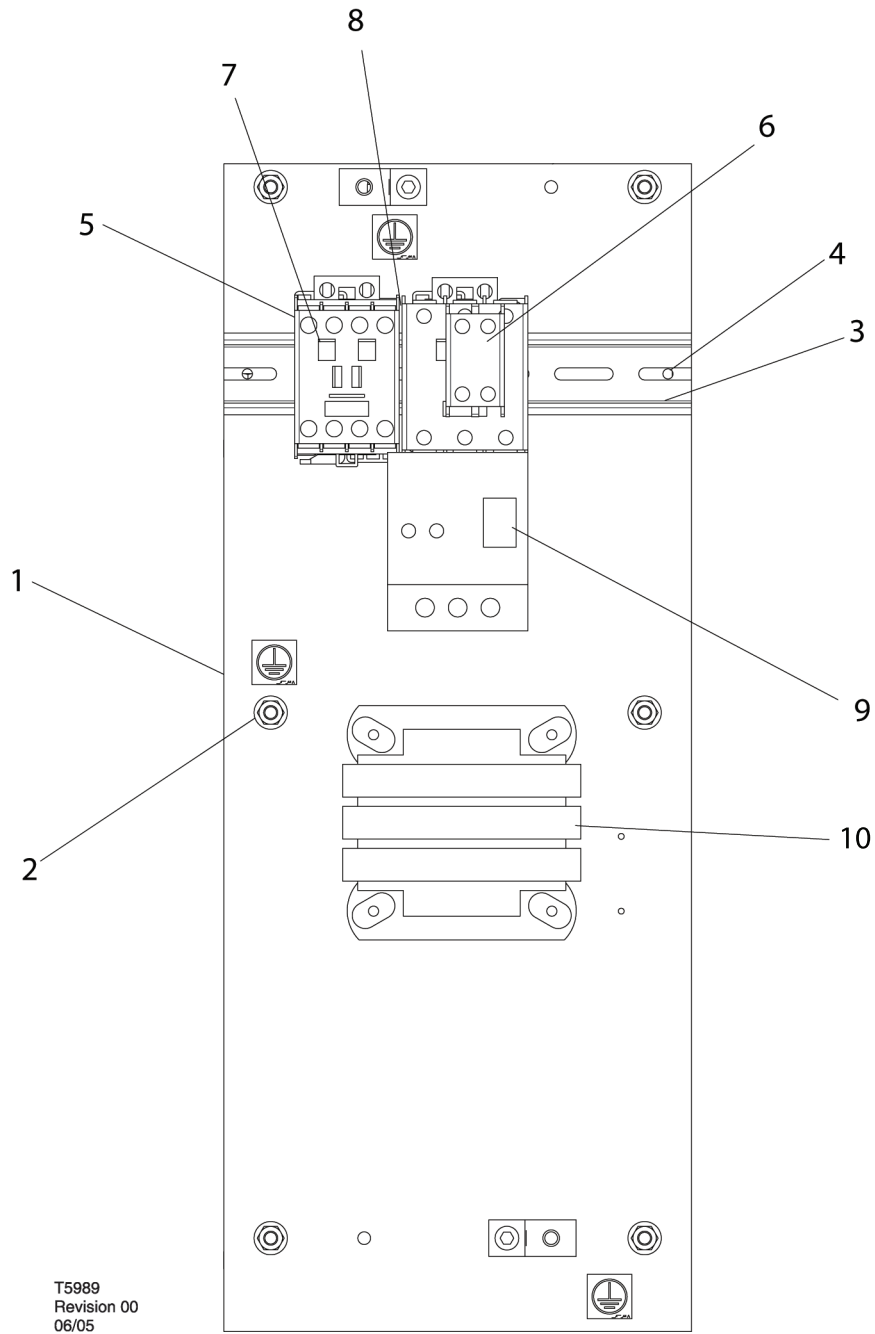
T5984
 Revision 00
 05/04

Item	ccn	Qty.	Description	Item	ccn	Qty.	Description
1	22413991	1	Panel	6	22132963	1	Contact, auxilliary
2	96737564	6	Nut	7	22384408	1	Contactur (43A)
3	22411987	1	Rail	8	22395933	1	Relay, overload
4	35252279	2	Screw	9	22409387	1	Transformer, fuse block
5	39255559	1	Relay, control				

UP5-4, UP5-5.5, UP5-7.5, UP5-11c, UP6-5, UP6-7.5, UP6-10, UP6-15c

INSTRUMENTATION / ELECTRICAL SYSTEM

4kW
220V
50Hz
S/D

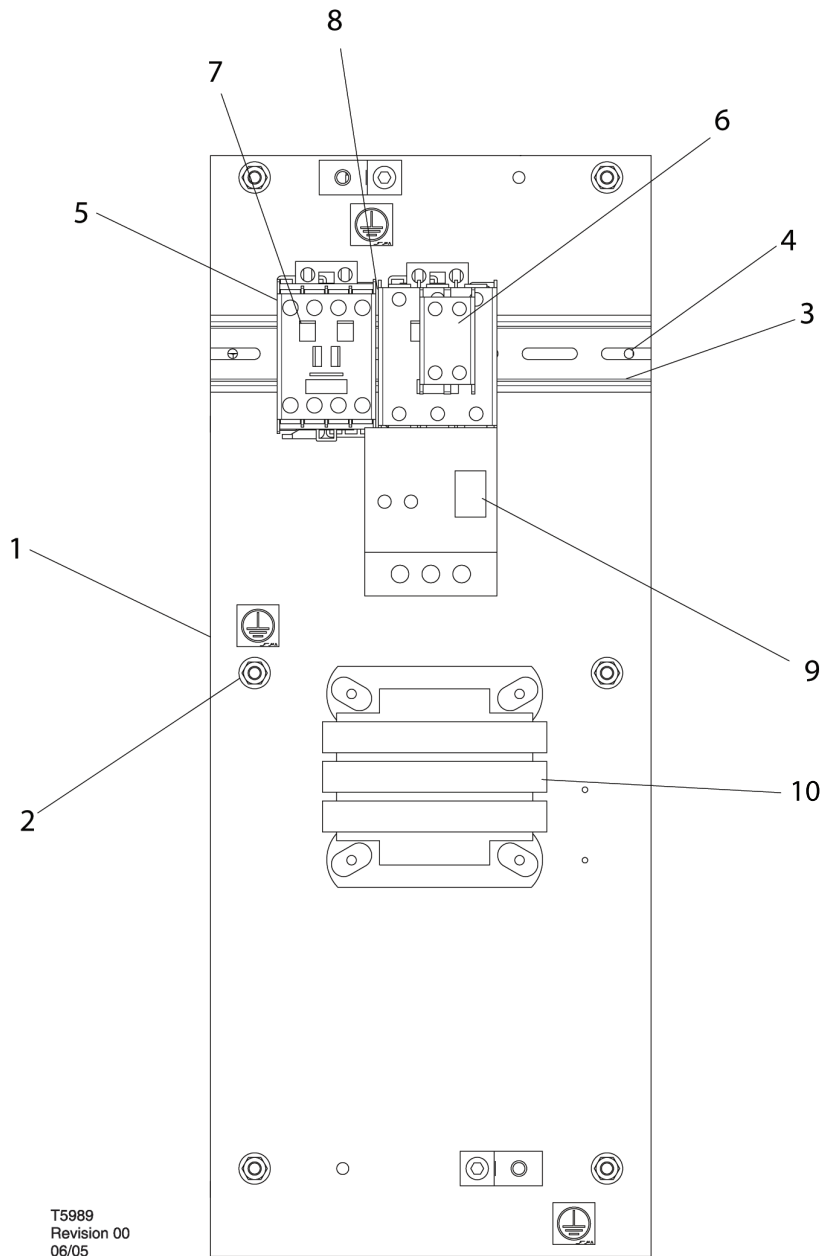


Item	ccn	Qty.	Description	Item	ccn	Qty.	Description
1	22413991	1	Panel	7	22395941	2	Contactors
2	96737564	6	Nut	8	22409031	1	Interlock, mechanical
3	22411987	1	Rail	9	22395958	1	Relay, overload
4	35252279	2	Screw	10	22395891	1	Transformer, fuse block
5	N/A						
6	22395966	1	Contactors				

UP5-4, UP5-5.5, UP5-7.5, UP5-11c, UP6-5, UP6-7.5, UP6-10, UP6-15c

INSTRUMENTATION / ELECTRICAL SYSTEM

4kW
 380/400/415V
 50Hz
 S/D

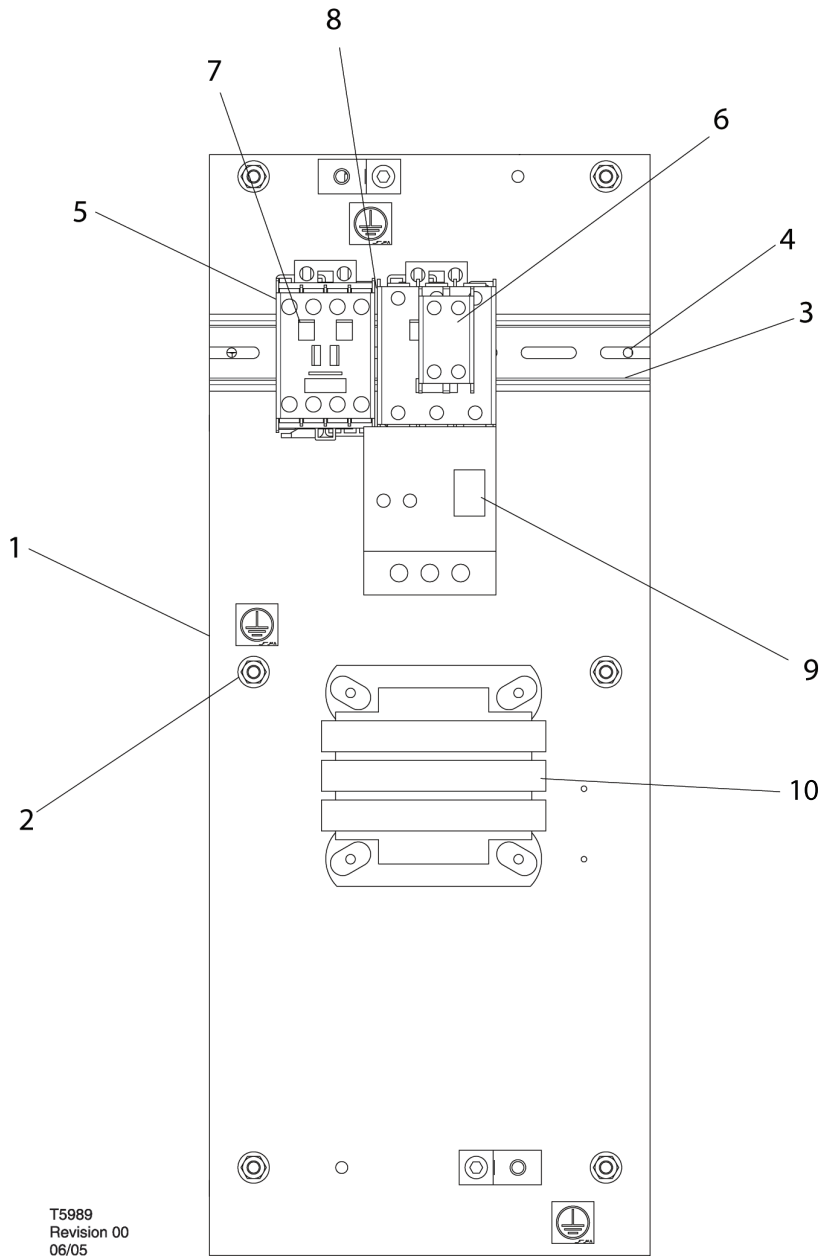


Item	ccn	Qty.	Description	Item	ccn	Qty.	Description
1	22413991	1	Panel	7	22395966	2	Contactors
2	96737564	6	Nut	8	22409031	1	Interlock, mechanical
3	22411987	1	Rail	9	22409429	1	Relay, overload
4	35252279	2	Screw	10	22409387	1	Transformer, fuse block
5	N/A						
6	22395966	1	Contactors				

UP5-4, UP5-5.5, UP5-7.5, UP5-11c, UP6-5, UP6-7.5, UP6-10, UP6-15c

INSTRUMENTATION / ELECTRICAL SYSTEM

5.5kW
220V
50Hz
S/D

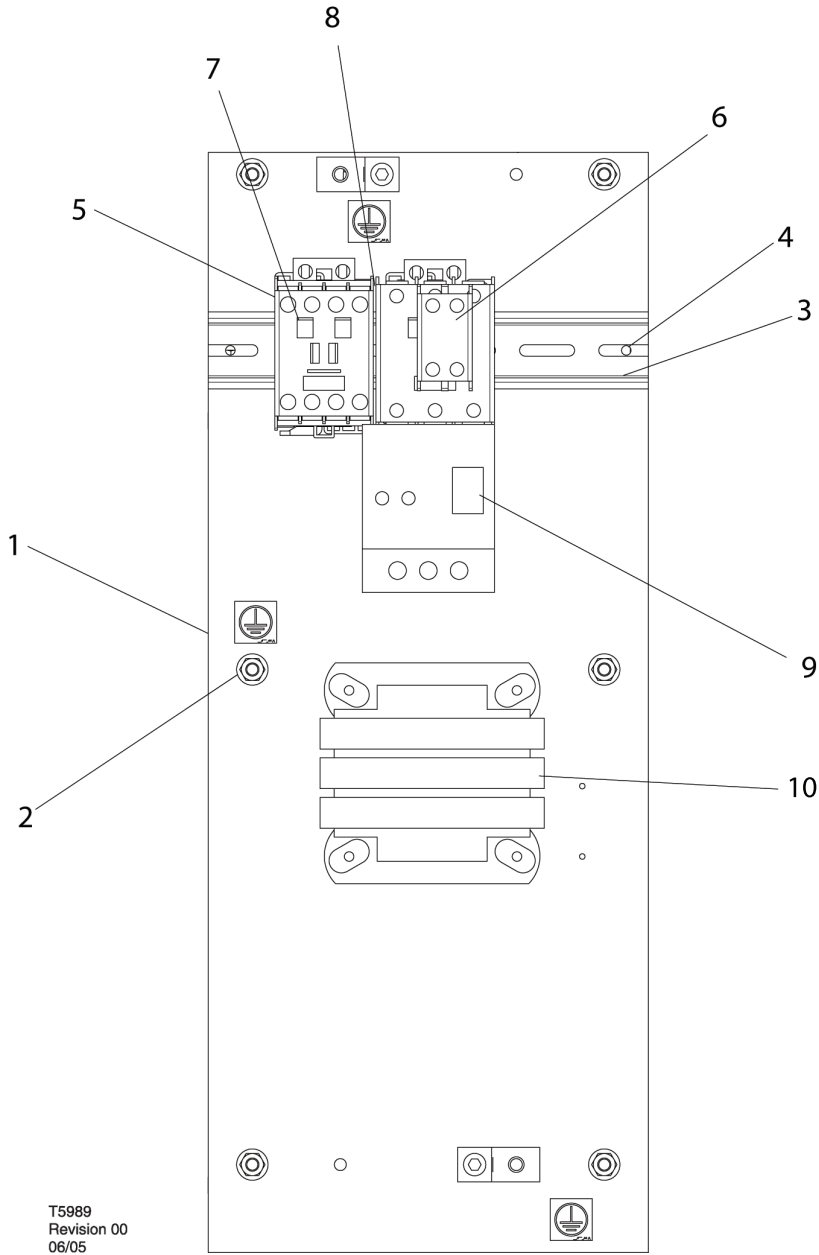


Item	ccn	Qty.	Description	Item	ccn	Qty.	Description
1	22413991	1	Panel	7	22395941	2	Contactors
2	96737564	6	Nut	8	22409031	1	Interlock, mechanical
3	22411987	1	Rail	9	22395958	1	Relay, overload
4	35252279	2	Screw	10	22395891	1	Transformer, fuse block
5	22132963	2	Contact, auxilliary				
6	22395966	1	Contactors				

UP5-4, UP5-5.5, UP5-7.5, UP5-11c, UP6-5, UP6-7.5, UP6-10, UP6-15c

INSTRUMENTATION / ELECTRICAL SYSTEM

5.5kW
 380/400/415V
 50Hz
 S/D

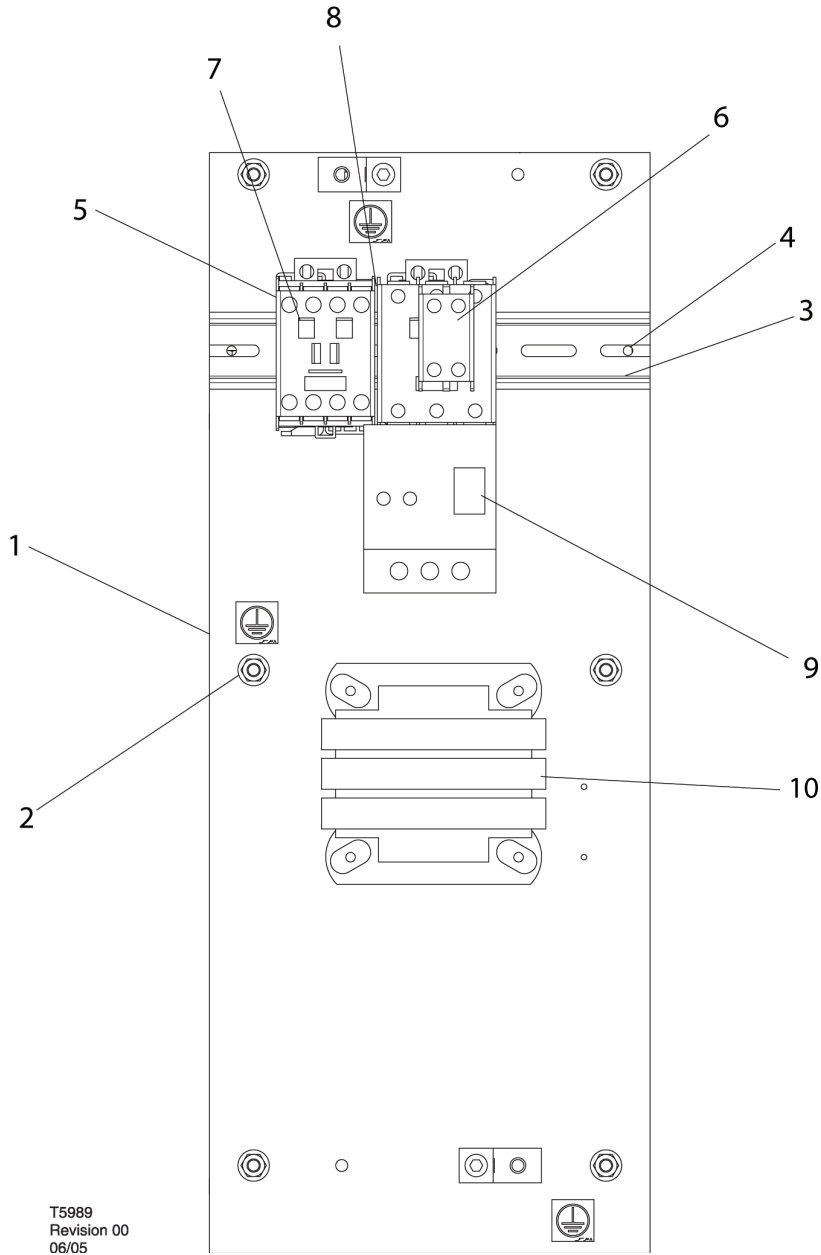


Item	ccn	Qty.	Description	Item	ccn	Qty.	Description
1	22413991	1	Panel	7	22395941	2	Contactors
2	96737564	6	Nut	8	22409031	1	Interlock, mechanical
3	22411987	1	Rail	9	22409411	1	Relay, overload
4	35252279	2	Screw	10	22409387	1	Transformer, fuse block
5	22132963	2	Contact, auxilliary				
6	22395966	1	Contactors				

UP5-4, UP5-5.5, UP5-7.5, UP5-11c, UP6-5, UP6-7.5, UP6-10, UP6-15c

INSTRUMENTATION / ELECTRICAL SYSTEM

7.5kW
220V
50Hz
S/D

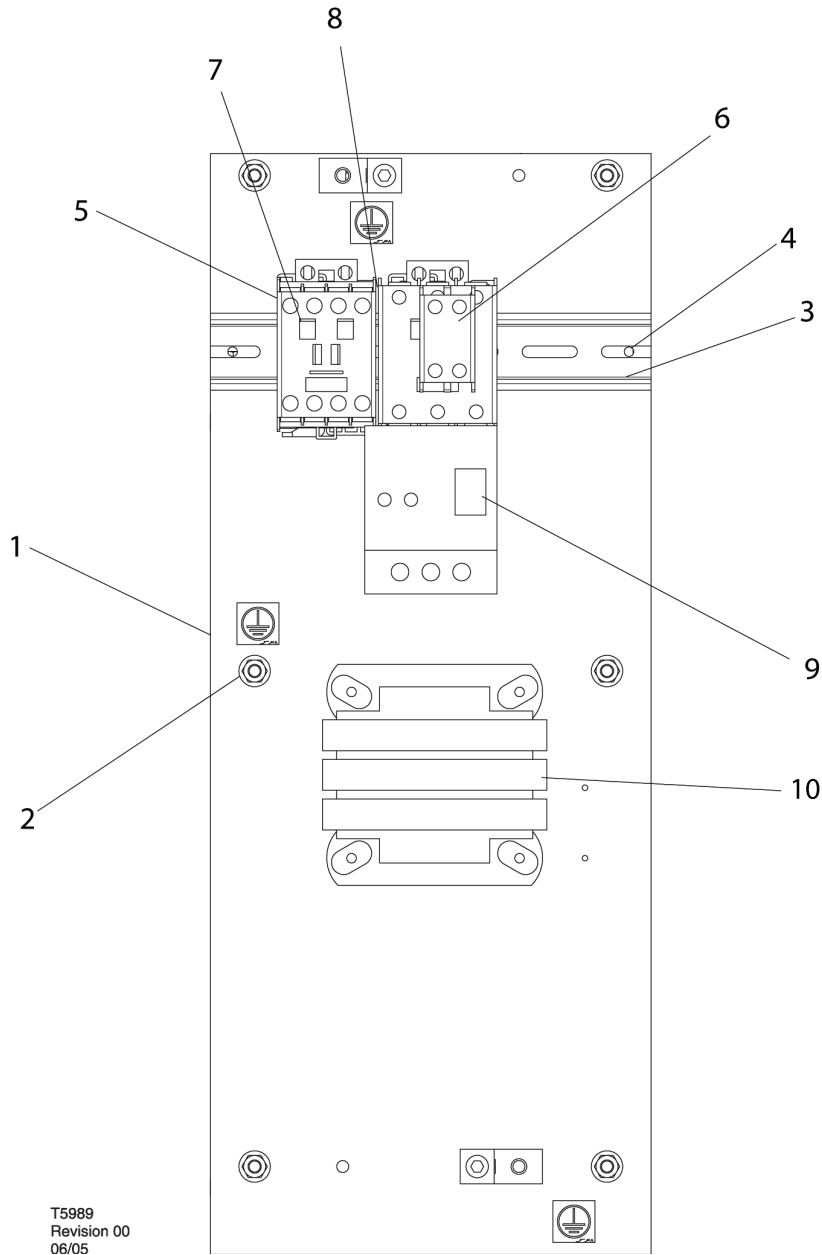


Item	ccn	Qty.	Description	Item	ccn	Qty.	Description
1	22413991	1	Panel	7	22384416	2	Contactors
2	96737564	6	Nut	8	22409031	1	Interlock, mechanical
3	22411987	1	Rail	9	22395917	1	Relay, overload
4	35252279	2	Screw	10	22395891	1	Transformer, fuse block
5	22132963	2	Contact, auxilliary				
6	22384408	1	Contactors				

UP5-4, UP5-5.5, UP5-7.5, UP5-11c, UP6-5, UP6-7.5, UP6-10, UP6-15c

INSTRUMENTATION / ELECTRICAL SYSTEM

7.5kW
 380/400/415V
 50Hz
 S/D



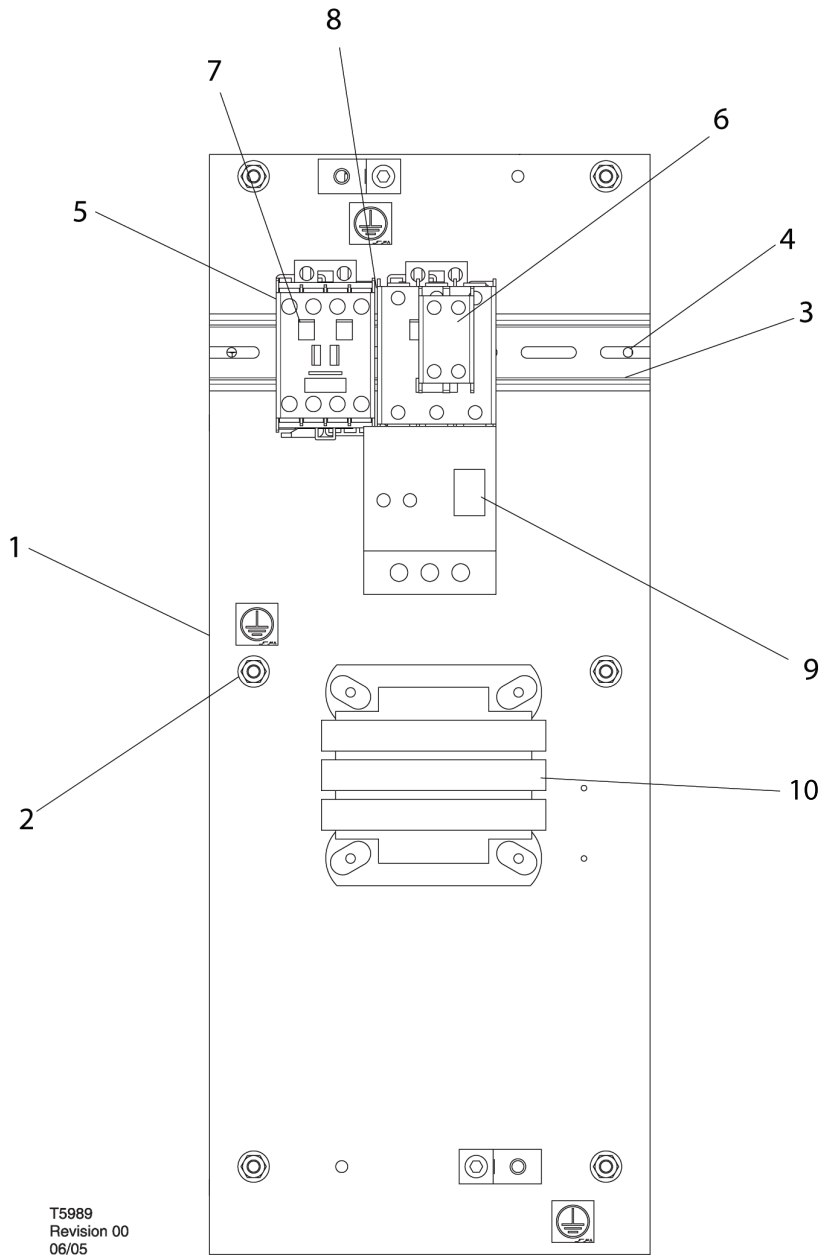
T5989
 Revision 00
 06/05

Item	ccn	Qty.	Description	Item	ccn	Qty.	Description
1	22413991	1	Panel	7	22395941	2	Contactor
2	96737564	6	Nut	8	22409031	1	Interlock, mechanical
3	22411987	1	Rail	9	22395958	1	Relay, overload
4	35252279	2	Screw	10	22409387	1	Transformer, fuse block
5	22132963	2	Contact, auxilliary				
6	22395966	1	Contactor				

UP5-4, UP5-5.5, UP5-7.5, UP5-11c, UP6-5, UP6-7.5, UP6-10, UP6-15c

INSTRUMENTATION / ELECTRICAL SYSTEM

11kW
220V
50Hz
S/D



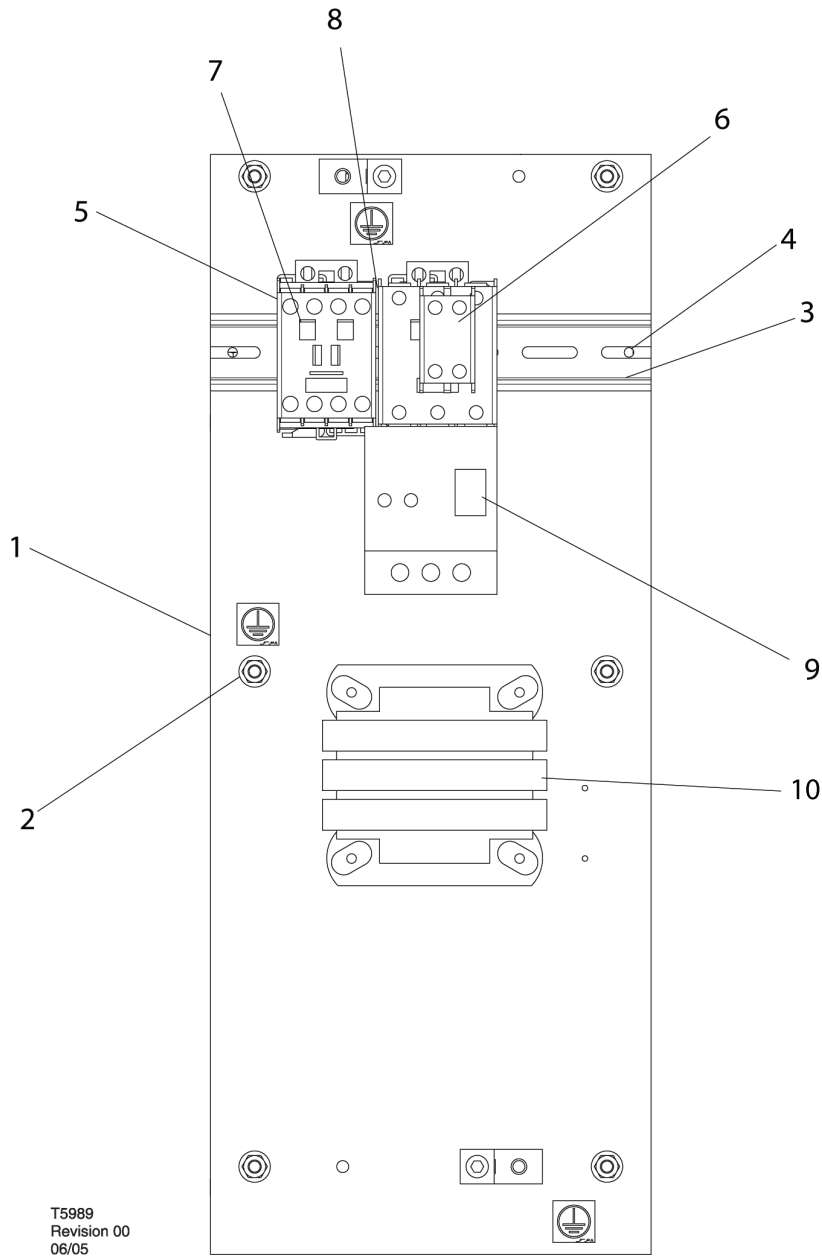
T5989
Revision 00
06/05

Item	ccn	Qty.	Description	Item	ccn	Qty.	Description
1	22413991	1	Panel	7	22384416	2	Contactors
2	96737564	6	Nut	8	22409031	1	Interlock, mechanical
3	22411987	1	Rail	9	22395917	1	Relay, overload
4	35252279	2	Screw	10	22395891	1	Transformer, fuse block
5	22132963	2	Contact, auxilliary				
6	22384408	1	Contactors				

UP5-4, UP5-5.5, UP5-7.5, UP5-11c, UP6-5, UP6-7.5, UP6-10, UP6-15c

INSTRUMENTATION / ELECTRICAL SYSTEM

11kW
 380/400/415V
 50Hz
 S/D



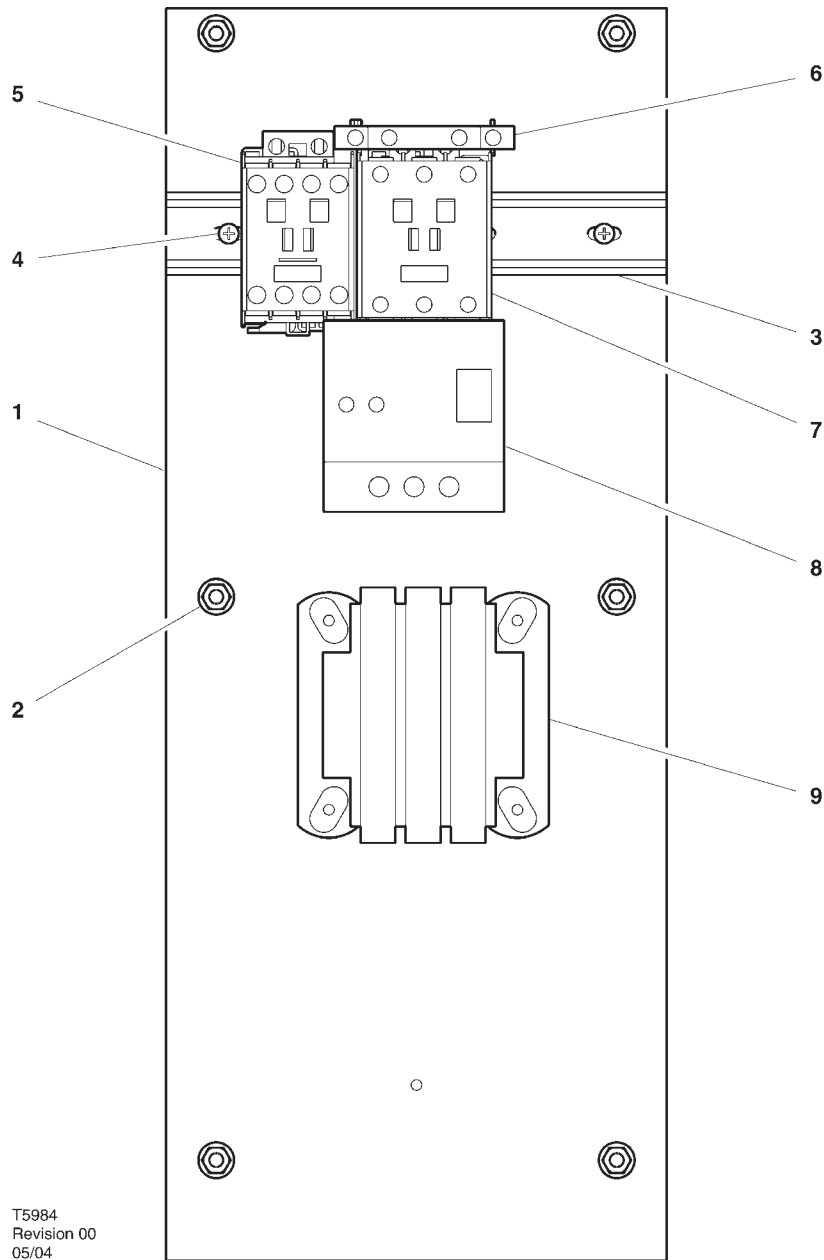
T5989
 Revision 00
 06/05

Item	ccn	Qty.	Description	Item	ccn	Qty.	Description
1	22413991	1	Panel	7	22384408	2	Contactors
2	96737564	6	Nut	8	22409031	1	Interlock, mechanical
3	22411987	1	Rail	9	22395933	1	Relay, overload
4	35252279	2	Screw	10	22409387	1	Transformer, fuse block
5	22132963	2	Contact, auxilliary				
6	22395941	1	Contactors				

UP5-4, UP5-5.5, UP5-7.5, UP5-11c, UP6-5, UP6-7.5, UP6-10, UP6-15c

INSTRUMENTATION / ELECTRICAL SYSTEM

5HP
200V 1PH
60Hz
F.V.

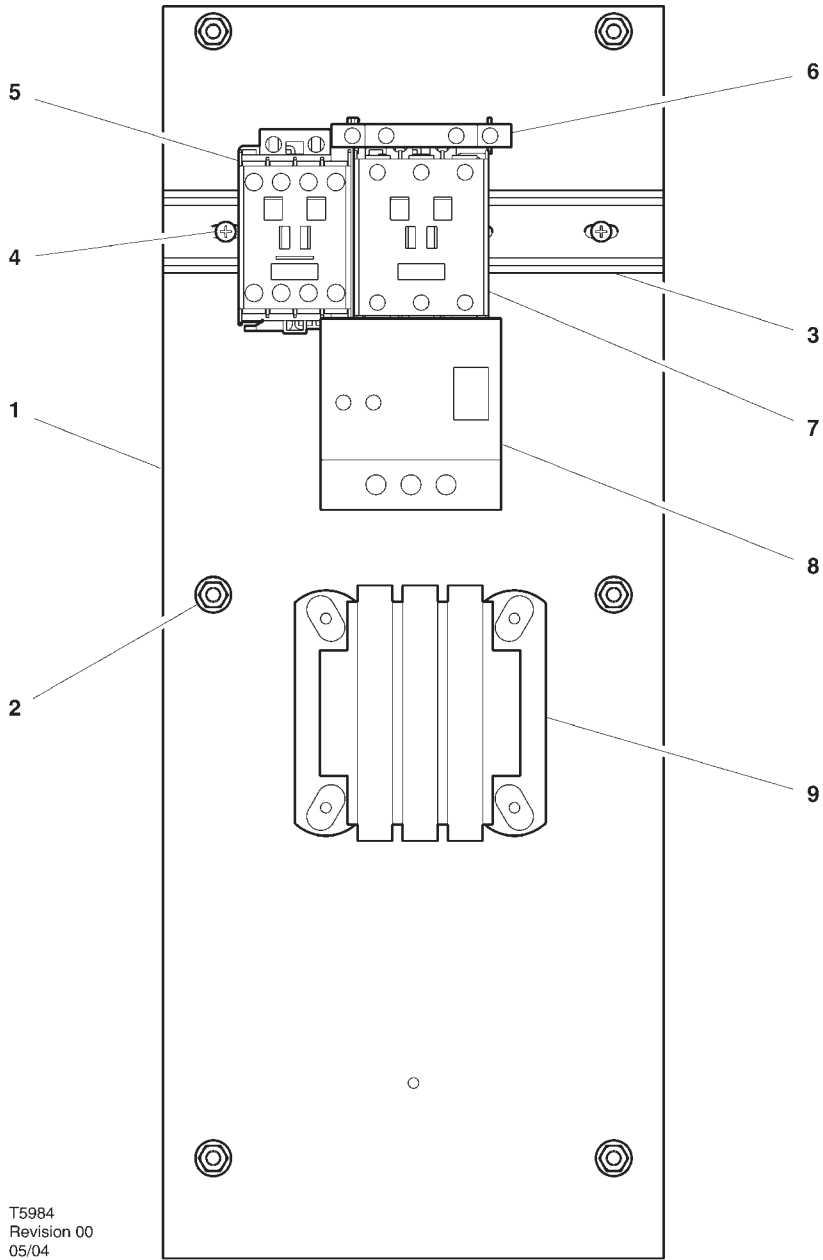


Item	ccn	Qty.	Description	Item	ccn	Qty.	Description
1	22413991	1	Panel	6	N/A		
2	96737564	6	Nut	7	22384424	1	Contactors
3	22411987	1	Rail	8	22395925	1	Relay, overload
4	35252279	2	Screw	9	22410724	1	Transformer, fuse block
5	N/A						

UP5-4, UP5-5.5, UP5-7.5, UP5-11c, UP6-5, UP6-7.5, UP6-10, UP6-15c

INSTRUMENTATION / ELECTRICAL SYSTEM

5HP
230V 1PH
60Hz
F.V.

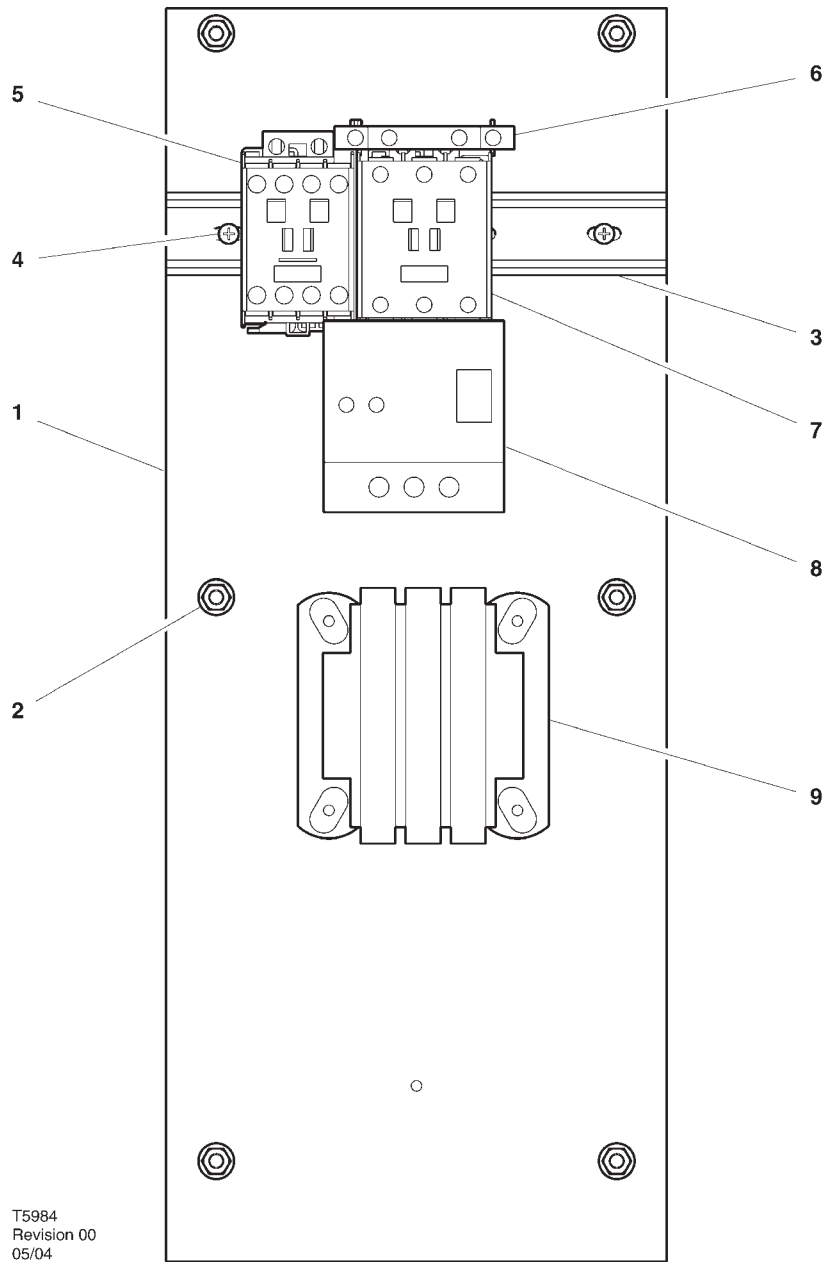


Item	ccn	Qty.	Description	Item	ccn	Qty.	Description
1	22413991	1	Panel	6	N/A		
2	96737564	6	Nut	7	22384424	1	Contactor
3	22411987	1	Rail	8	22395925	1	Relay, overload
4	35252279	2	Screw	9	22395891	1	Transformer, fuse block
5	N/A						

UP5-4, UP5-5.5, UP5-7.5, UP5-11c, UP6-5, UP6-7.5, UP6-10, UP6-15c

INSTRUMENTATION / ELECTRICAL SYSTEM

7.5HP
230V 1PH
60Hz
F.V.

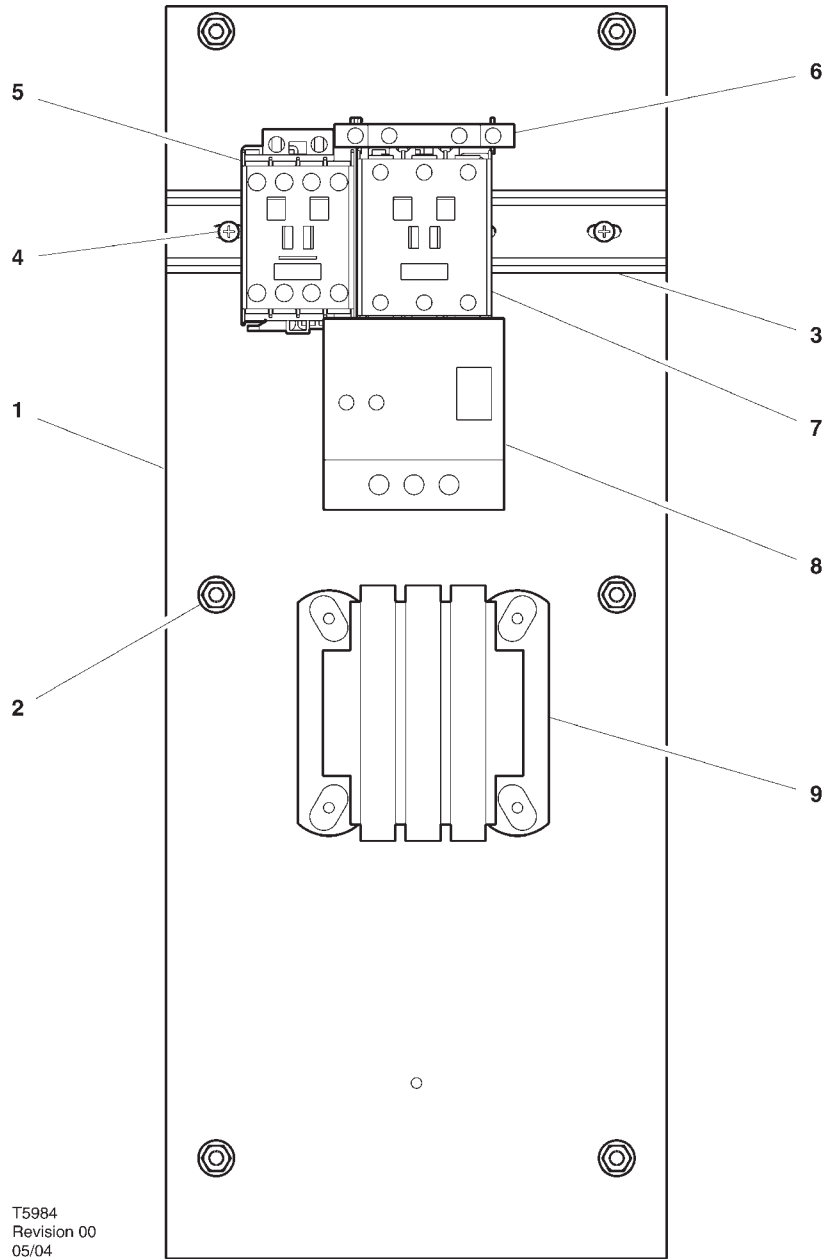


Item	ccn	Qty.	Description	Item	ccn	Qty.	Description
1	22413991	1	Panel	6	N/A		
2	96737564	6	Nut	7	22384432	1	Contactor
3	22411987	1	Rail	8	22395883	1	Relay, overload
4	35252279	2	Screw	9	22395891	1	Transformer, fuse block
5	N/A						

UP5-4, UP5-5.5, UP5-7.5, UP5-11c, UP6-5, UP6-7.5, UP6-10, UP6-15c

INSTRUMENTATION / ELECTRICAL SYSTEM

5HP
200V
60Hz
F.V.

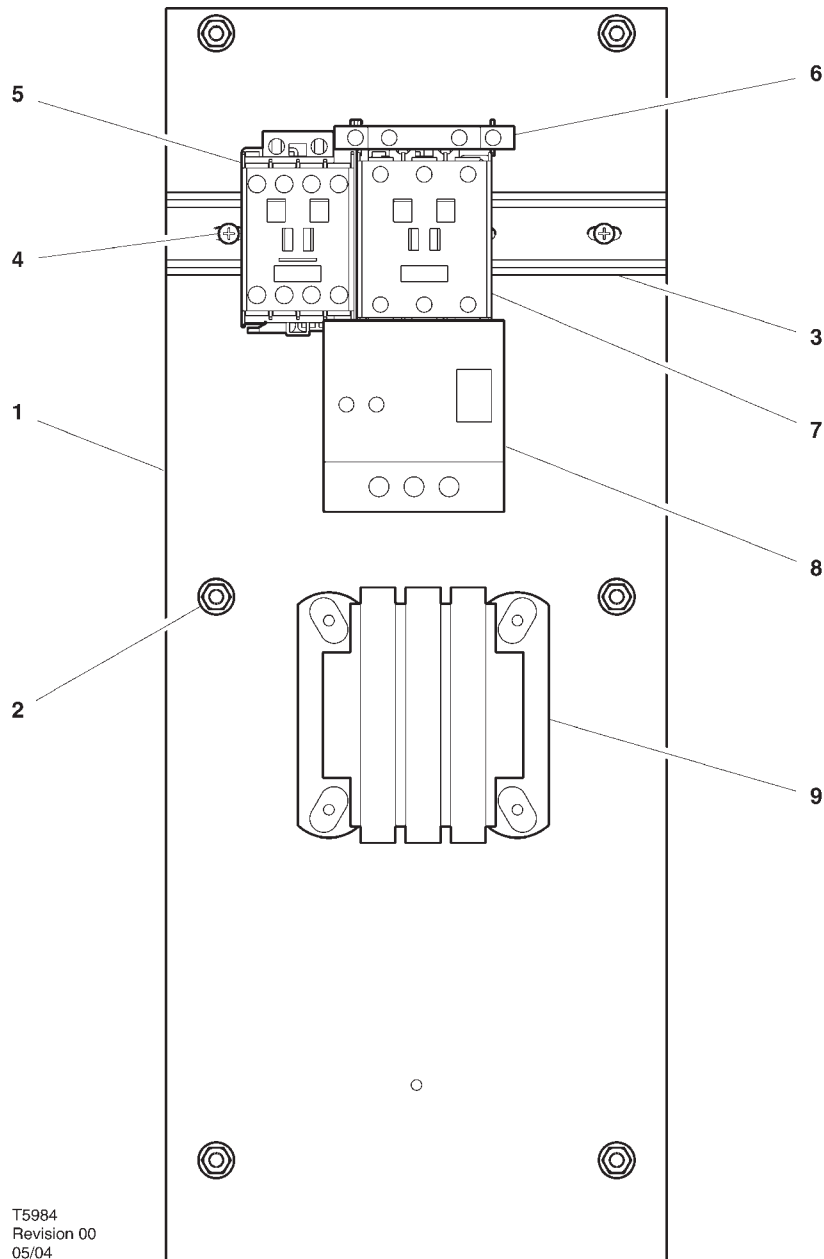


Item	ccn	Qty.	Description	Item	ccn	Qty.	Description
1	22413991	1	Panel	6	22132963	1	Contact, auxilliary
2	96737564	6	Nut	7	22384408	1	Contactur (43A)
3	22411987	1	Rail	8	22395933	1	Relay, overload
4	35252279	2	Screw	9	22410724	1	Transformer, fuse block
5	39255559	1	Relay, control				

UP5-4, UP5-5.5, UP5-7.5, UP5-11c, UP6-5, UP6-7.5, UP6-10, UP6-15c

INSTRUMENTATION / ELECTRICAL SYSTEM

5HP
230V
60Hz
F.V.

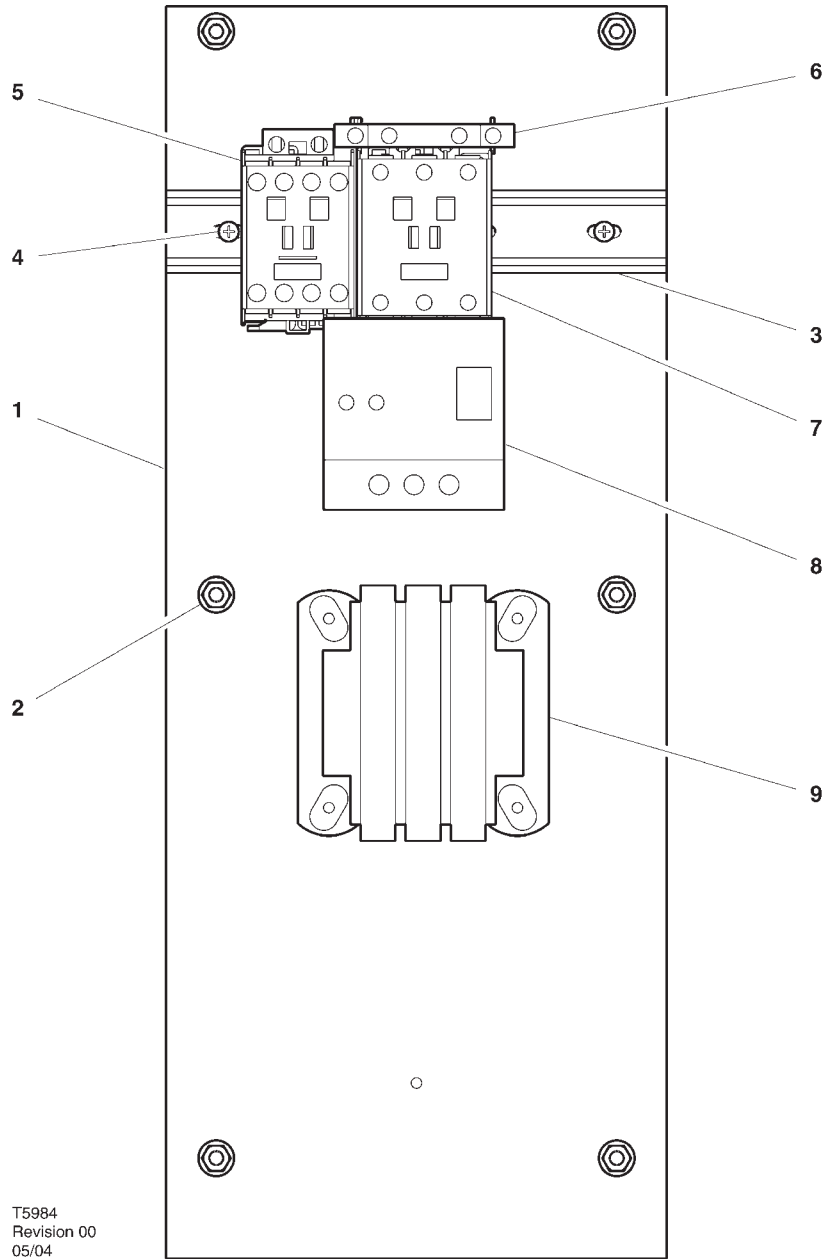


Item	ccn	Qty.	Description	Item	ccn	Qty.	Description
1	22413991	1	Panel	6	22132963	1	Contact, auxilliary
2	96737564	6	Nut	7	22384408	1	Contactor (43A)
3	22411987	1	Rail	8	22395933	1	Relay, overload
4	35252279	2	Screw	9	22395891	1	Transformer, fuse block
5	39255559	1	Relay, control				

UP5-4, UP5-5.5, UP5-7.5, UP5-11c, UP6-5, UP6-7.5, UP6-10, UP6-15c

INSTRUMENTATION / ELECTRICAL SYSTEM

5HP
380V
60Hz
F.V.

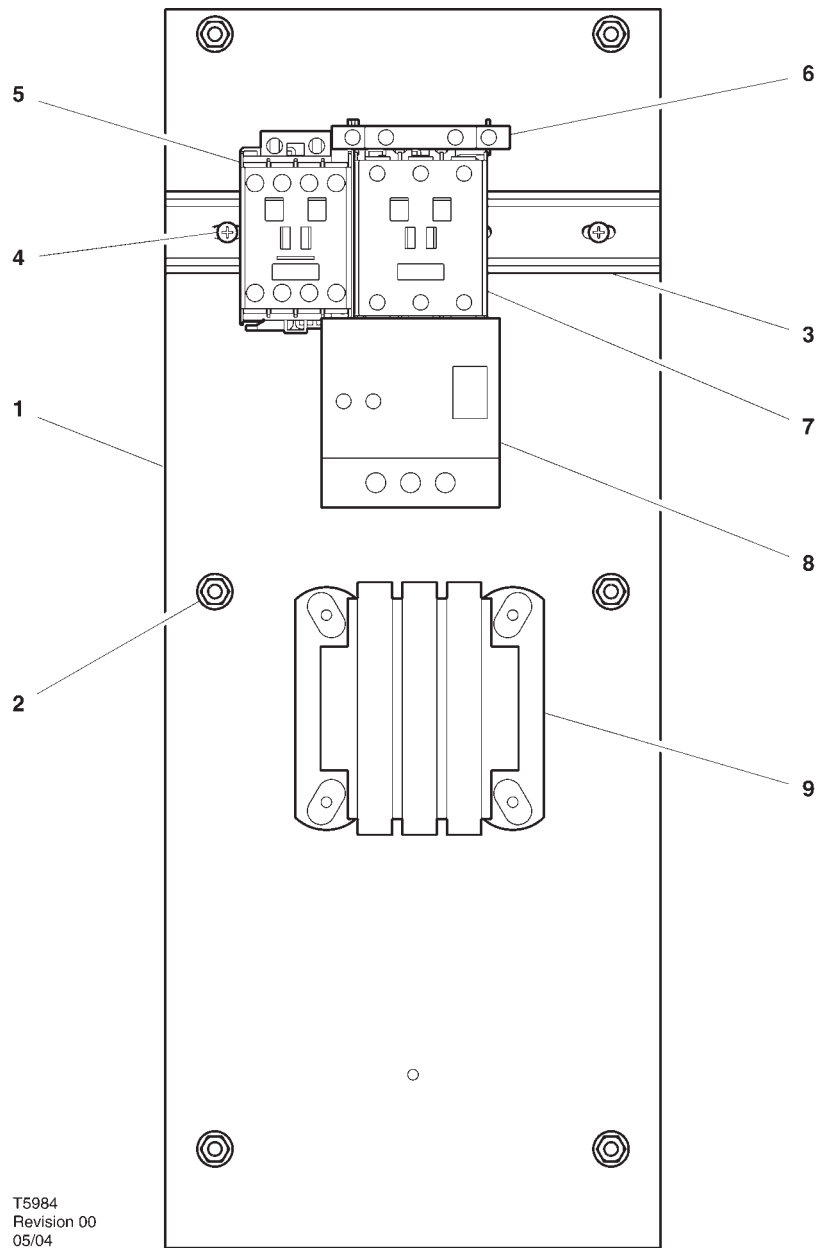


Item	ccn	Qty.	Description	Item	ccn	Qty.	Description
1	22413991	1	Panel	6	N/A		
2	96737564	6	Nut	7	22395966	1	Contactor (43A)
3	22411987	1	Rail	8	22409411	1	Relay, overload
4	35252279	2	Screw	9	22409387	1	Transformer, fuse block
5	N/A						

UP5-4, UP5-5.5, UP5-7.5, UP5-11c, UP6-5, UP6-7.5, UP6-10, UP6-15c

INSTRUMENTATION / ELECTRICAL SYSTEM

5HP
460V
60Hz
F.V.

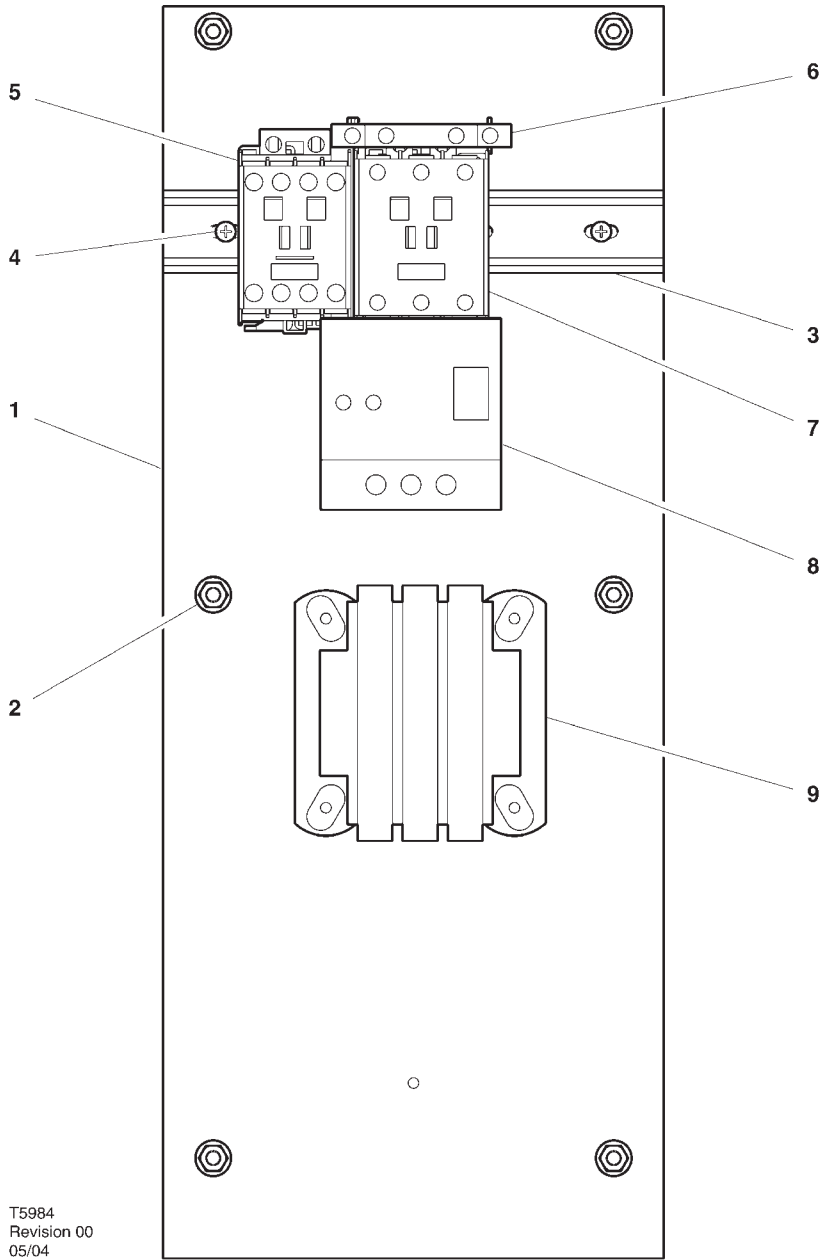


Item	ccn	Qty.	Description	Item	ccn	Qty.	Description
1	22413991	1	Panel	6	22132963	1	Contact, auxilliary
2	96737564	6	Nut	7	22395966	1	Contactur (43A)
3	22411987	1	Rail	8	22395958	1	Relay, overload
4	35252279	2	Screw	9	22395891	1	Transformer, fuse block
5	39255559	1	Relay, control				

UP5-4, UP5-5.5, UP5-7.5, UP5-11c, UP6-5, UP6-7.5, UP6-10, UP6-15c

INSTRUMENTATION / ELECTRICAL SYSTEM

5HP
460V
60Hz
F.V.

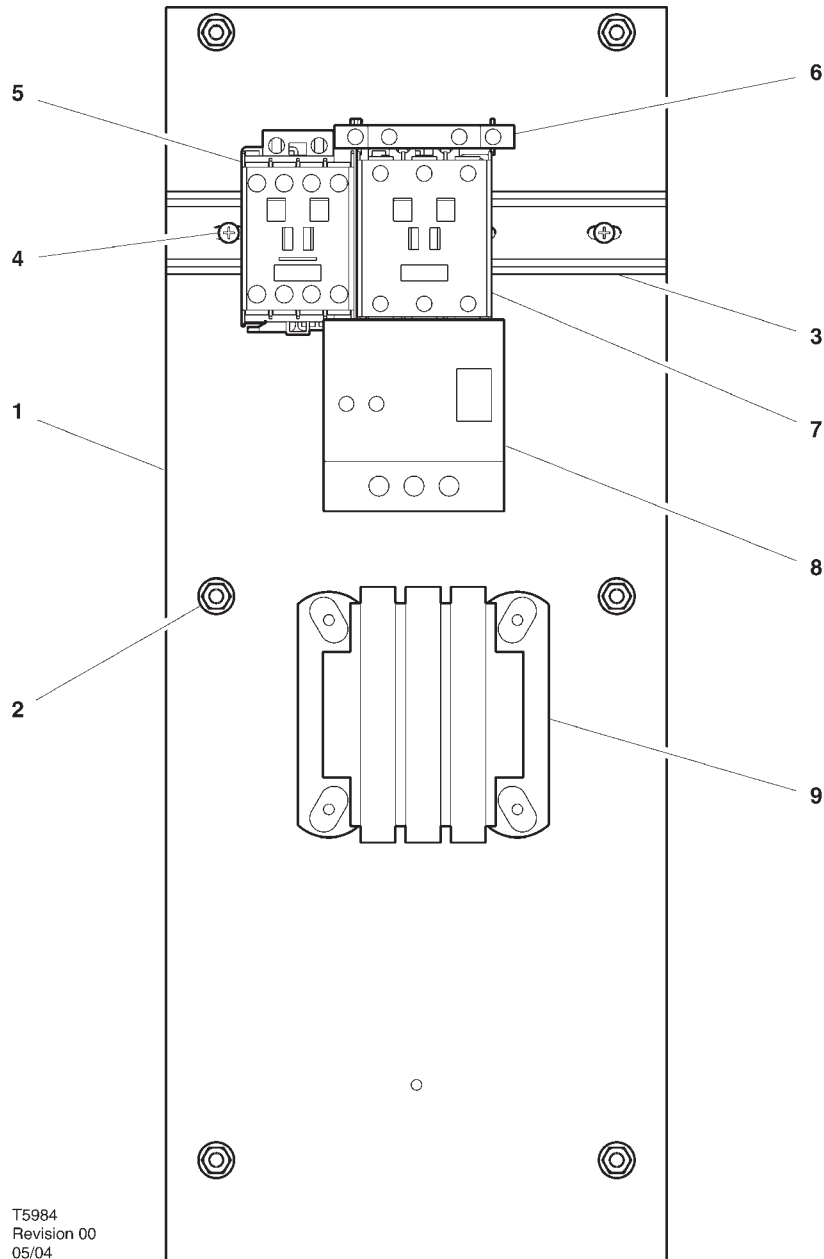


Item	ccn	Qty.	Description	Item	ccn	Qty.	Description
1	22413991	1	Panel	6	22132963	1	Contact, auxilliary
2	96737564	6	Nut	7	22395966	1	Contactur (43A)
3	22411987	1	Rail	8	22409411	1	Relay, overload
4	35252279	2	Screw	9	22410732	1	Transformer, fuse block
5	39255559	1	Relay, control				

UP5-4, UP5-5.5, UP5-7.5, UP5-11c, UP6-5, UP6-7.5, UP6-10, UP6-15c

INSTRUMENTATION / ELECTRICAL SYSTEM

7.5HP
200V
60Hz
F.V.

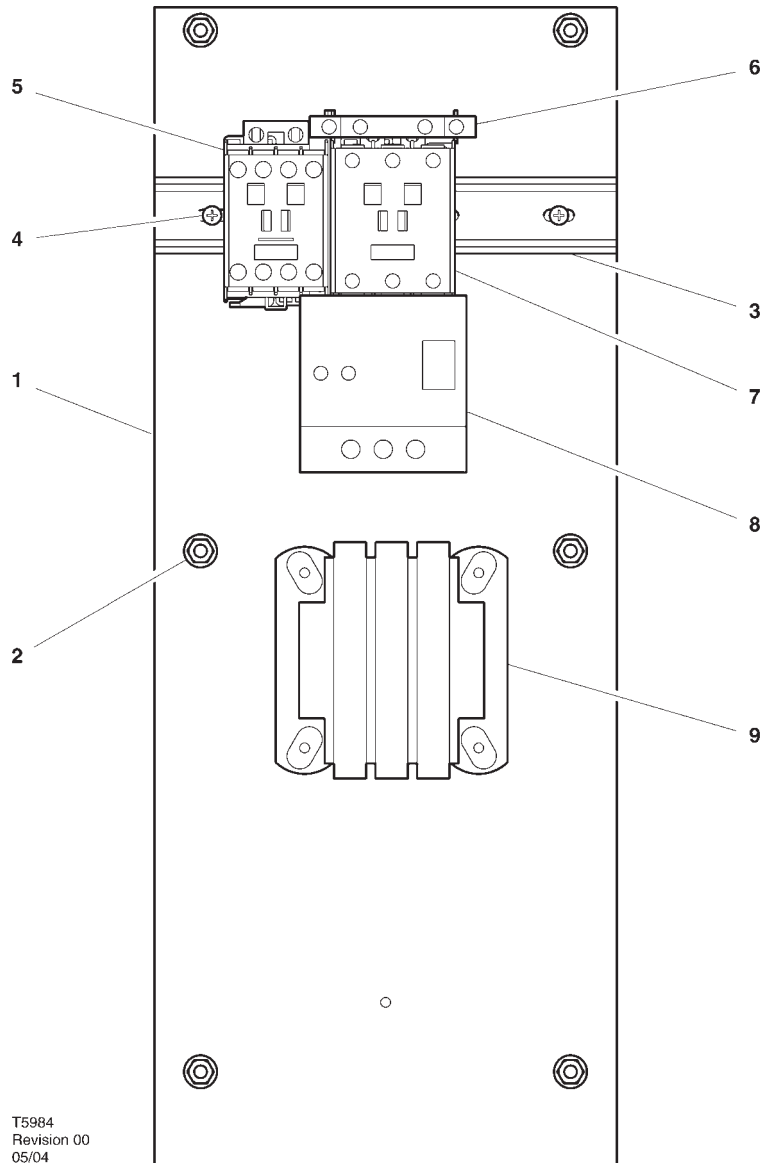


Item	ccn	Qty.	Description	Item	ccn	Qty.	Description
1	22413991	1	Panel	6	22132963	1	Contact, auxilliary
2	96737564	6	Nut	7	22384424	1	Contactor (43A)
3	22411987	1	Rail	8	22395925	1	Relay, overload
4	35252279	2	Screw	9	22410724	1	Transformer, fuse block
5	39255559	1	Relay, control				

UP5-4, UP5-5.5, UP5-7.5, UP5-11c, UP6-5, UP6-7.5, UP6-10, UP6-15c

INSTRUMENTATION / ELECTRICAL SYSTEM

7.5HP
230V
60Hz
F.V.



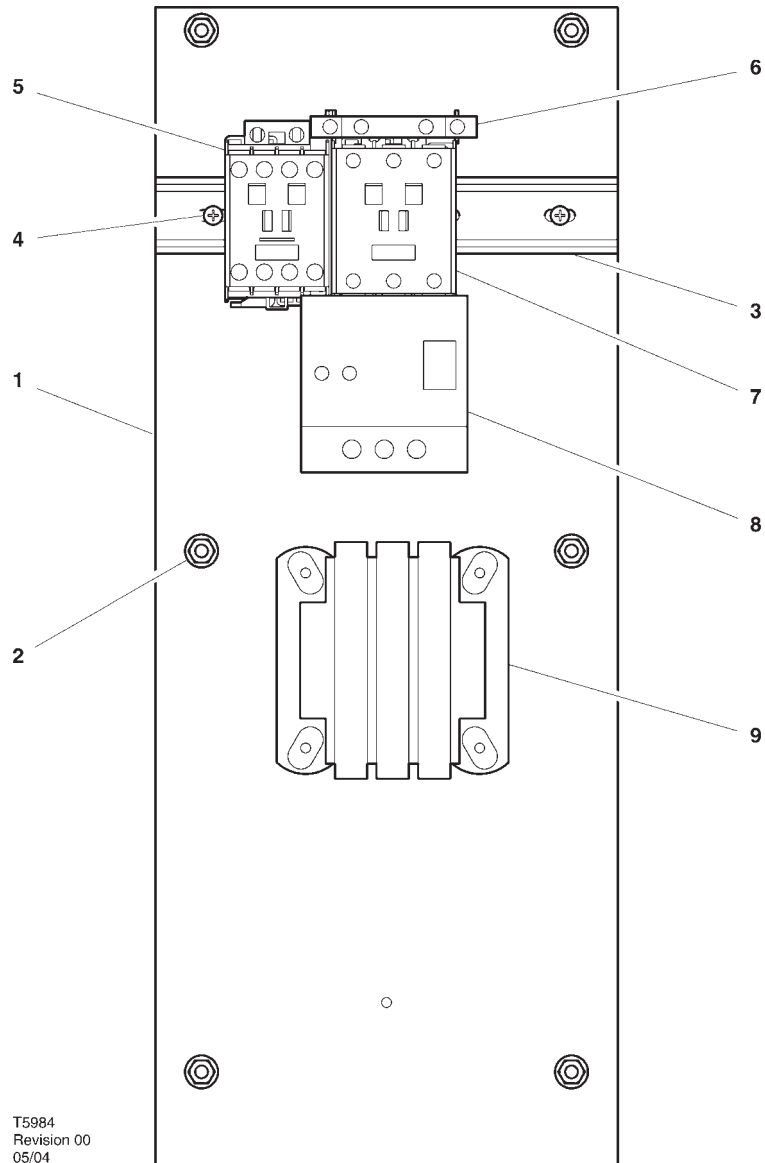
T5984
Revision 00
05/04

Item	ccn	Qty.	Description	Item	ccn	Qty.	Description
1	22413991	1	Panel	6	22132963	1	Contact, auxilliary
2	96737564	6	Nut	7	22384416	1	Contactur (43A)
3	22411987	1	Rail	8	22395917	1	Relay, overload
4	35252279	2	Screw	9	22395891	1	Transformer, fuse block
5	39255559	1	Relay, control				

UP5-4, UP5-5.5, UP5-7.5, UP5-11c, UP6-5, UP6-7.5, UP6-10, UP6-15c

INSTRUMENTATION / ELECTRICAL SYSTEM

7.5HP
380V
60Hz
F.V.

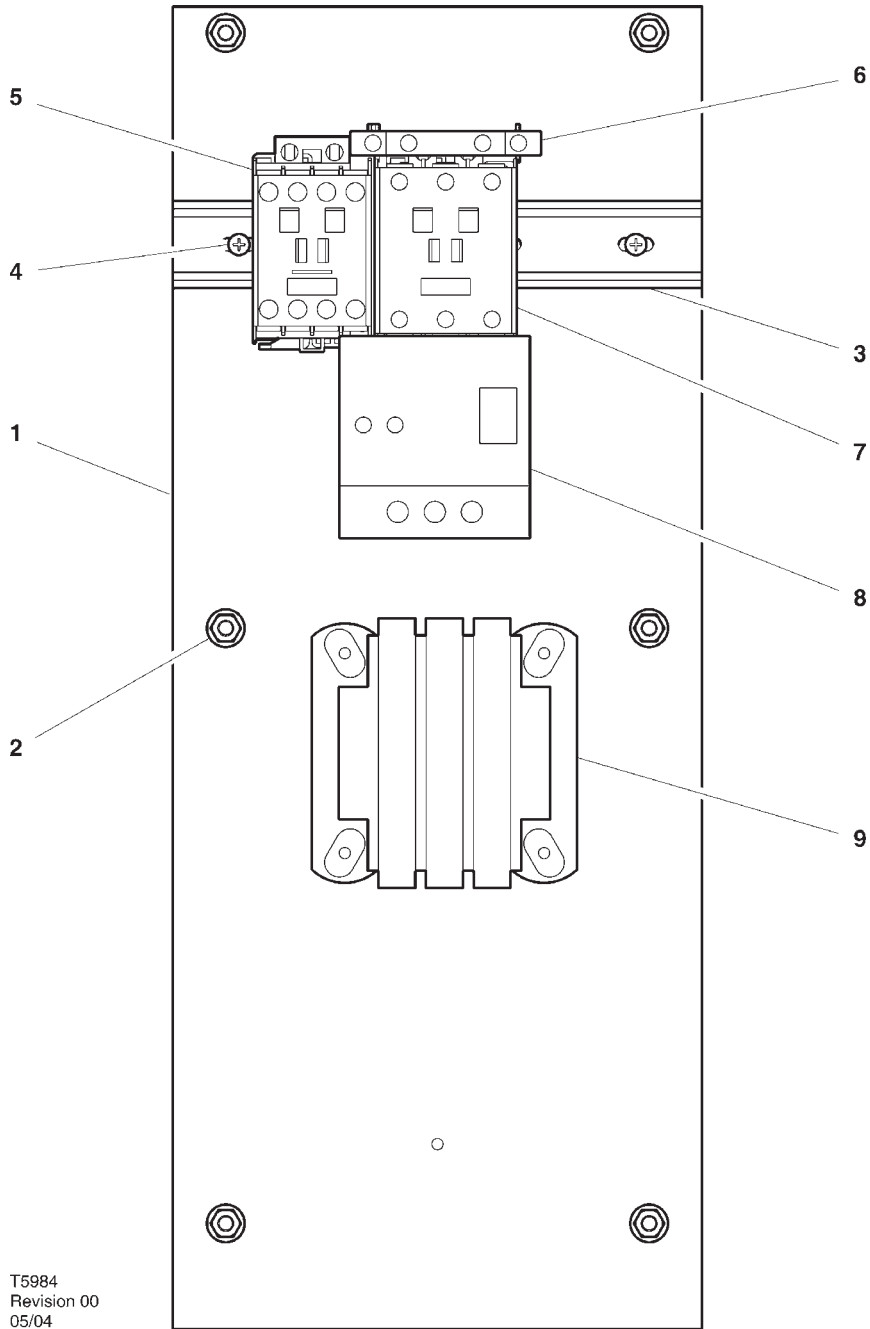


Item	ccn	Qty.	Description	Item	ccn	Qty.	Description
1	22413991	1	Panel	6	N/A		
2	96737564	6	Nut	7	22384408	1	Contactor (43A)
3	22411987	1	Rail	8	22395917	1	Relay, overload
4	35252279	2	Screw	9	22409387	1	Transformer, fuse block
5	N/A						

UP5-4, UP5-5.5, UP5-7.5, UP5-11c, UP6-5, UP6-7.5, UP6-10, UP6-15c

INSTRUMENTATION / ELECTRICAL SYSTEM

7.5HP
460V
60Hz
F.V.

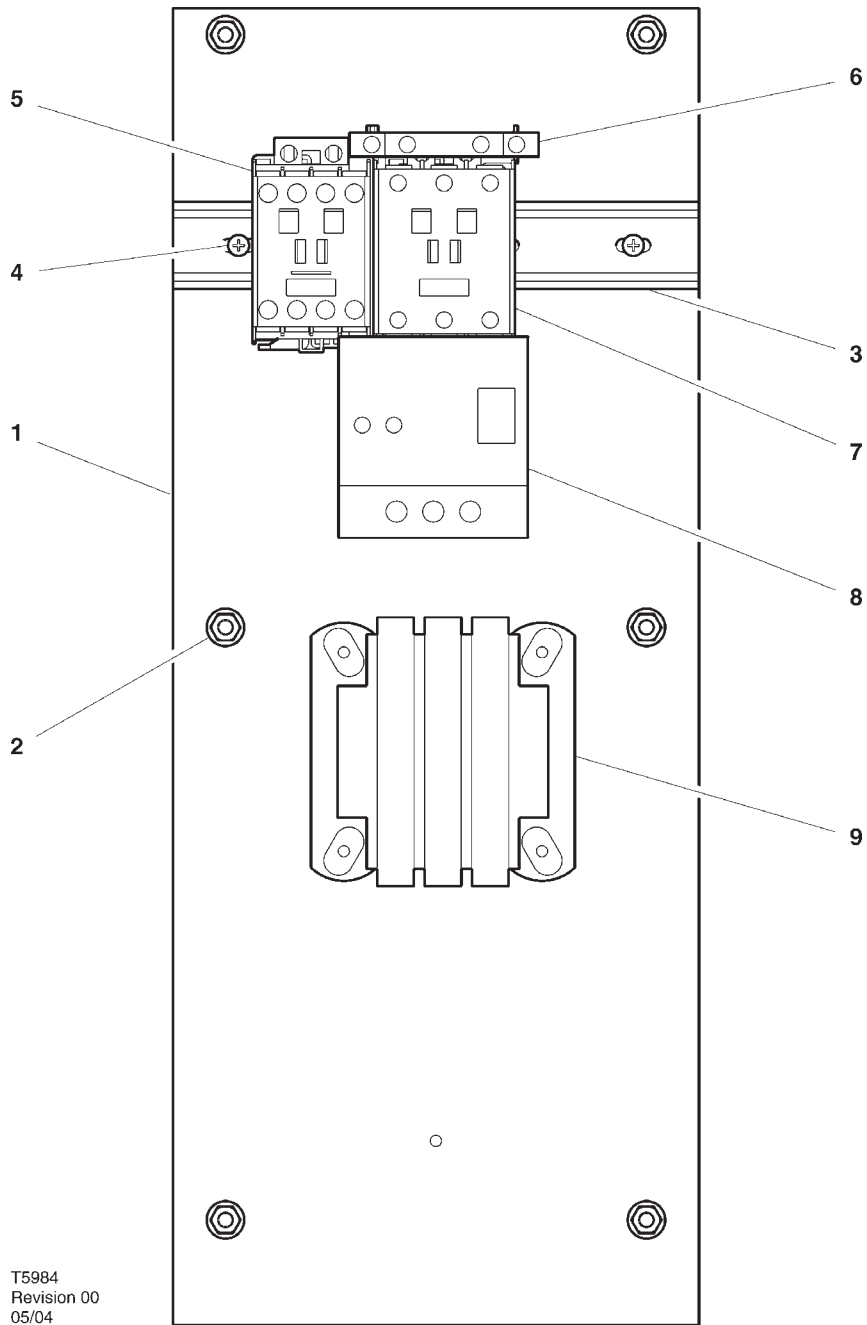


Item	ccn	Qty.	Description	Item	ccn	Qty.	Description
1	22413991	1	Panel	6	22132963	1	Contact, auxilliary
2	96737564	6	Nut	7	22395941	1	Contactor (43A)
3	22411987	1	Rail	8	22395958	1	Relay, overload
4	35252279	2	Screw	9	22395891	1	Transformer, fuse block
5	39255559	1	Relay, control				

UP5-4, UP5-5.5, UP5-7.5, UP5-11c, UP6-5, UP6-7.5, UP6-10, UP6-15c

INSTRUMENTATION / ELECTRICAL SYSTEM

7.5HP
575V
60Hz
F.V.

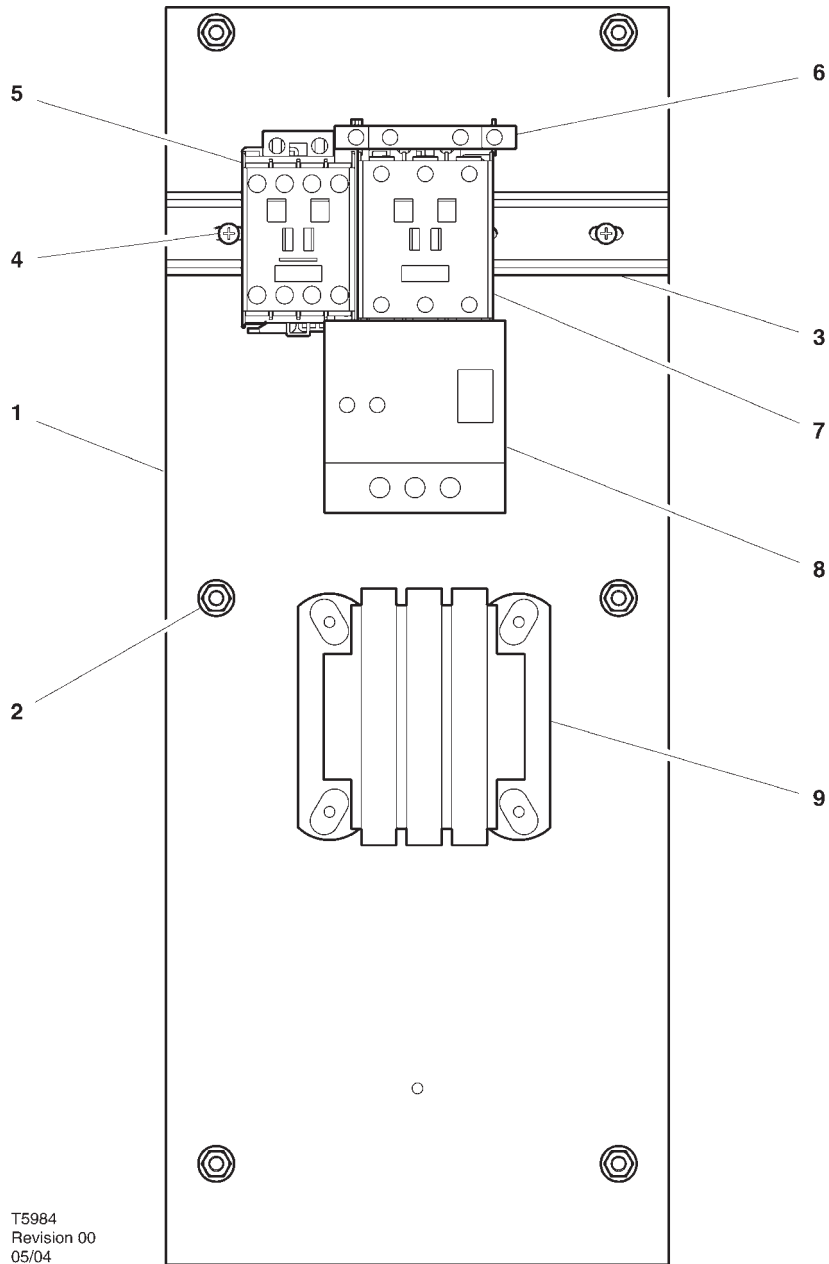


Item	ccn	Qty.	Description	Item	ccn	Qty.	Description
1	22413991	1	Panel	6	22132963	1	Contact, auxilliary
2	96737564	6	Nut	7	22395966	1	Contactor (43A)
3	22411987	1	Rail	8	22395958	1	Relay, overload
4	35252279	2	Screw	9	22410732	1	Transformer, fuse block
5	39255559	1	Relay, control				

UP5-4, UP5-5.5, UP5-7.5, UP5-11c, UP6-5, UP6-7.5, UP6-10, UP6-15c

INSTRUMENTATION / ELECTRICAL SYSTEM

10HP
200V
60Hz
F.V.

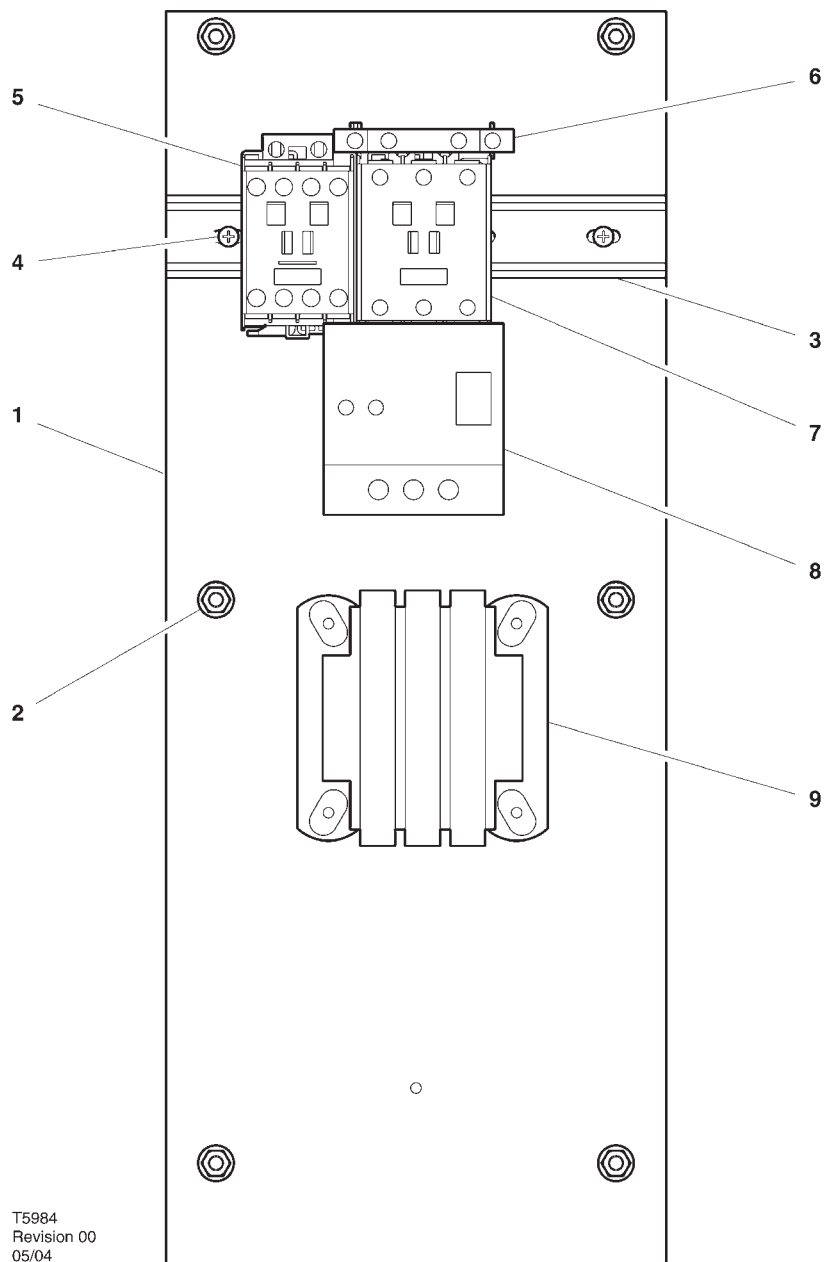


Item	ccn	Qty.	Description	Item	ccn	Qty.	Description
1	22413991	1	Panel	6	22132963	1	Contact, auxilliary
2	96737564	6	Nut	7	22384424	1	Contactor (43A)
3	22411987	1	Rail	8	22395925	1	Relay, overload
4	35252279	2	Screw	9	22410724	1	Transformer, fuse block
5	39255559	1	Relay, control				

UP5-4, UP5-5.5, UP5-7.5, UP5-11c, UP6-5, UP6-7.5, UP6-10, UP6-15c

INSTRUMENTATION / ELECTRICAL SYSTEM

10HP
230V
60Hz
F.V.

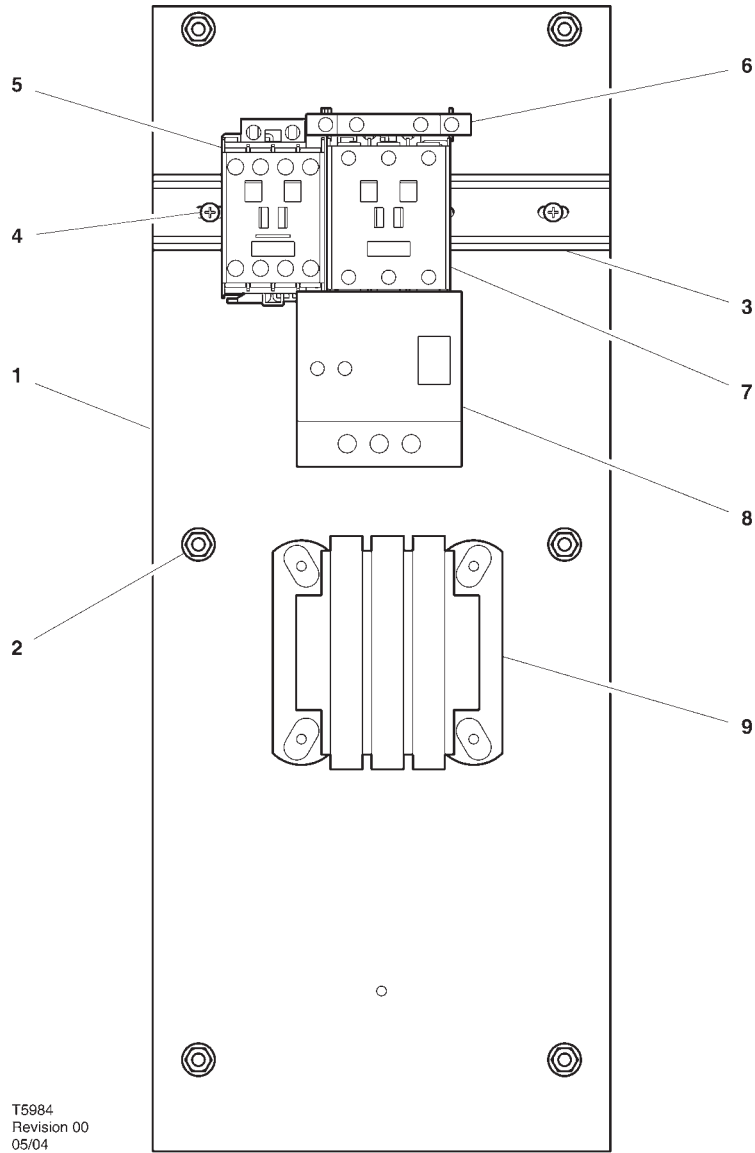


Item	ccn	Qty.	Description	Item	ccn	Qty.	Description
1	22413991	1	Panel	6	22132963	1	Contact, auxilliary
2	96737564	6	Nut	7	22384424	1	Contactur (43A)
3	22411987	1	Rail	8	22395925	1	Relay, overload
4	35252279	2	Screw	9	22395891	1	Transformer, fuse block
5	39255559	1	Relay, control				

UP5-4, UP5-5.5, UP5-7.5, UP5-11c, UP6-5, UP6-7.5, UP6-10, UP6-15c

INSTRUMENTATION / ELECTRICAL SYSTEM

10HP
380V
60Hz
F.V.



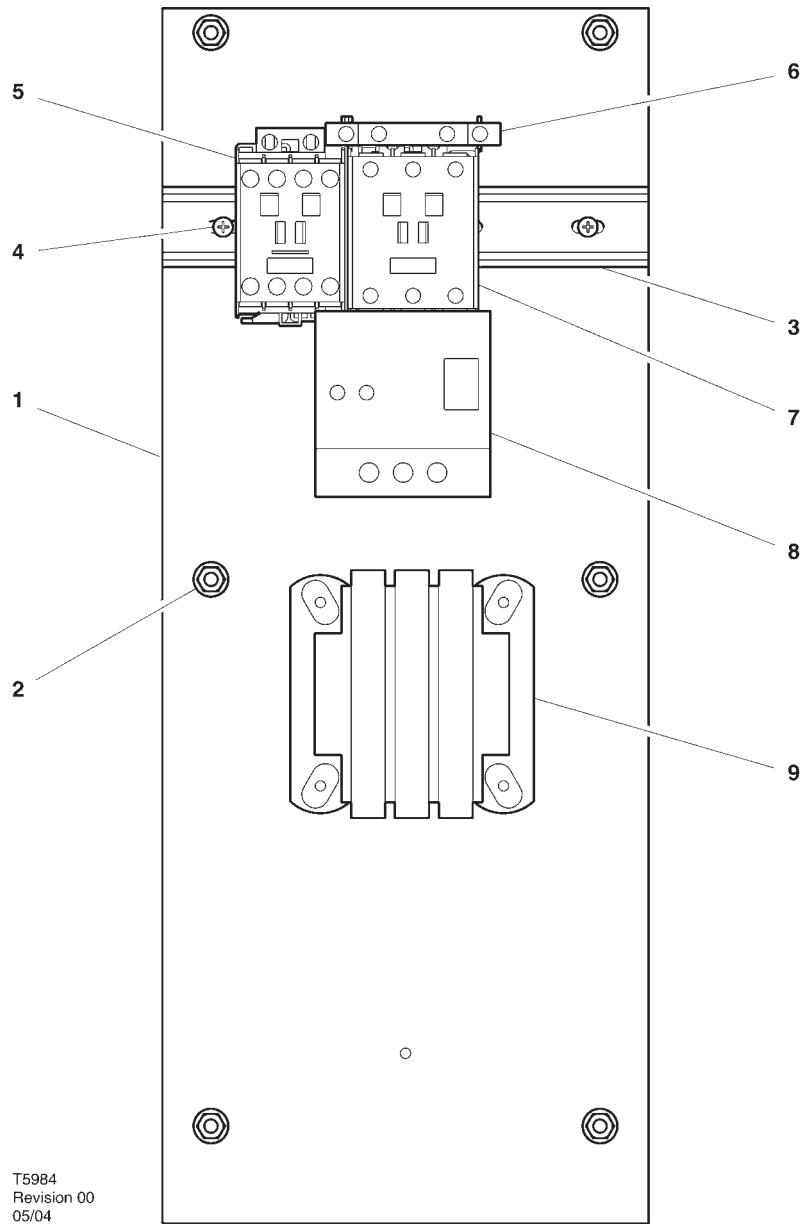
T5984
Revision 00
05/04

Item	ccn	Qty.	Description	Item	ccn	Qty.	Description
1	22413991	1	Panel	6	N/A		
2	96737564	6	Nut	7	22384416	1	Contactora (43A)
3	22411987	1	Rail	8	22395917	1	Relay, overload
4	35252279	2	Screw	9	22409387	1	Transformer, fuse block
5	N/A						

UP5-4, UP5-5.5, UP5-7.5, UP5-11c, UP6-5, UP6-7.5, UP6-10, UP6-15c

INSTRUMENTATION / ELECTRICAL SYSTEM

10HP
460V
60Hz
F.V.



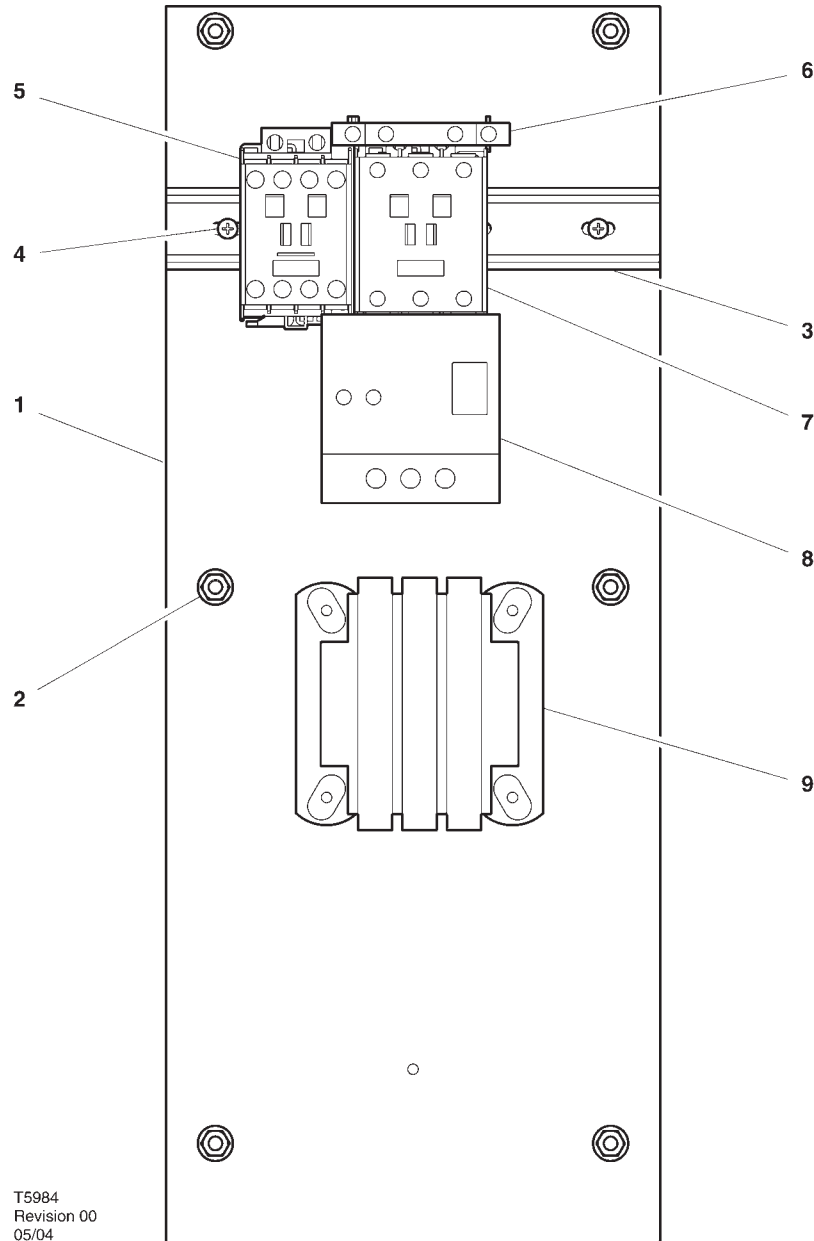
T5984
Revision 00
05/04

Item	ccn	Qty.	Description	Item	ccn	Qty.	Description
1	22413991	1	Panel	6	22132963	1	Contact, auxilliary
2	96737564	6	Nut	7	22384408	1	Contactor (43A)
3	22411987	1	Rail	8	22395933	1	Relay, overload
4	35252279	2	Screw	9	22395891	1	Transformer, fuse block
5	39255559	1	Relay, control				

UP5-4, UP5-5.5, UP5-7.5, UP5-11c, UP6-5, UP6-7.5, UP6-10, UP6-15c

INSTRUMENTATION / ELECTRICAL SYSTEM

10HP
575V
60Hz
F.V.

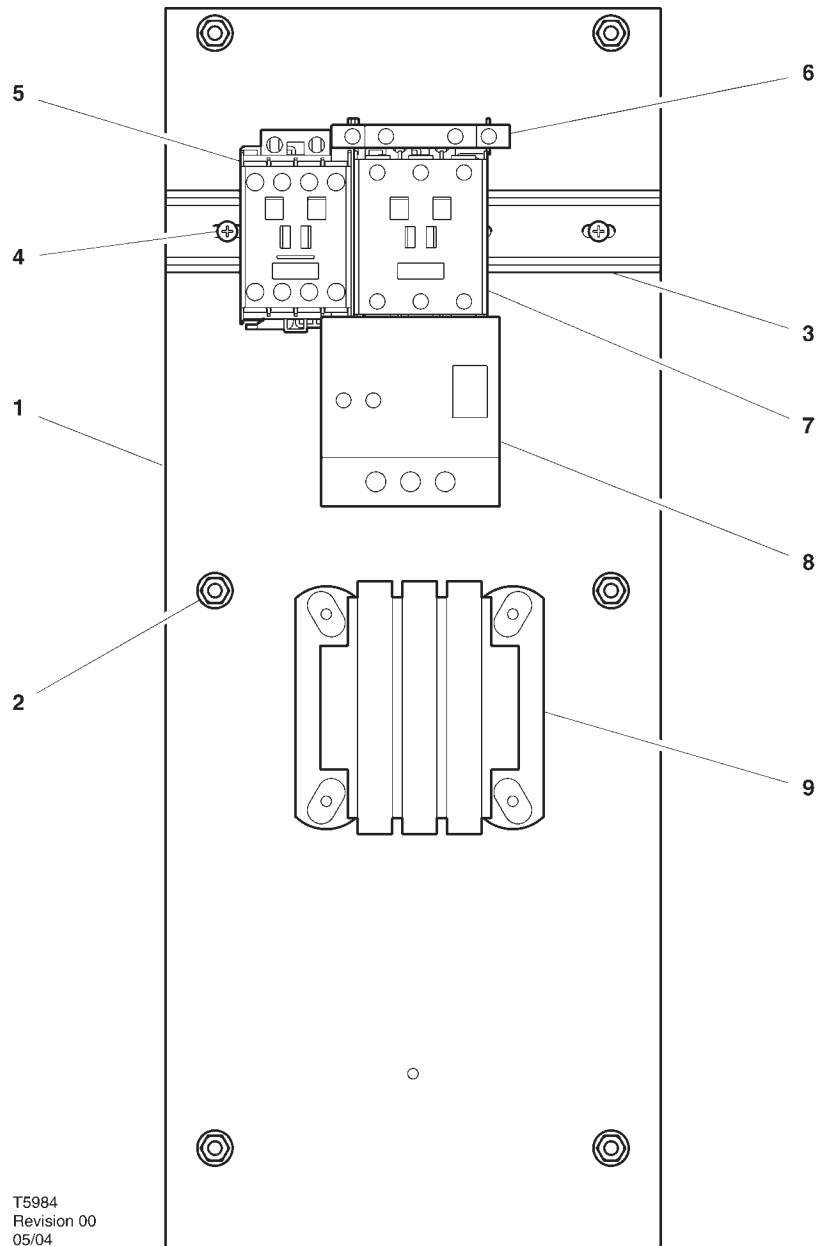


Item	ccn	Qty.	Description	Item	ccn	Qty.	Description
1	22413991	1	Panel	6	22132963	1	Contact, auxilliary
2	96737564	6	Nut	7	22395941	1	Contactur (43A)
3	22411987	1	Rail	8	22395958	1	Relay, overload
4	35252279	2	Screw	9	22410732	1	Transformer, fuse block
5	39255559	1	Relay, control				

UP5-4, UP5-5.5, UP5-7.5, UP5-11c, UP6-5, UP6-7.5, UP6-10, UP6-15c

INSTRUMENTATION / ELECTRICAL SYSTEM

15HP
200V
60Hz
F.V.

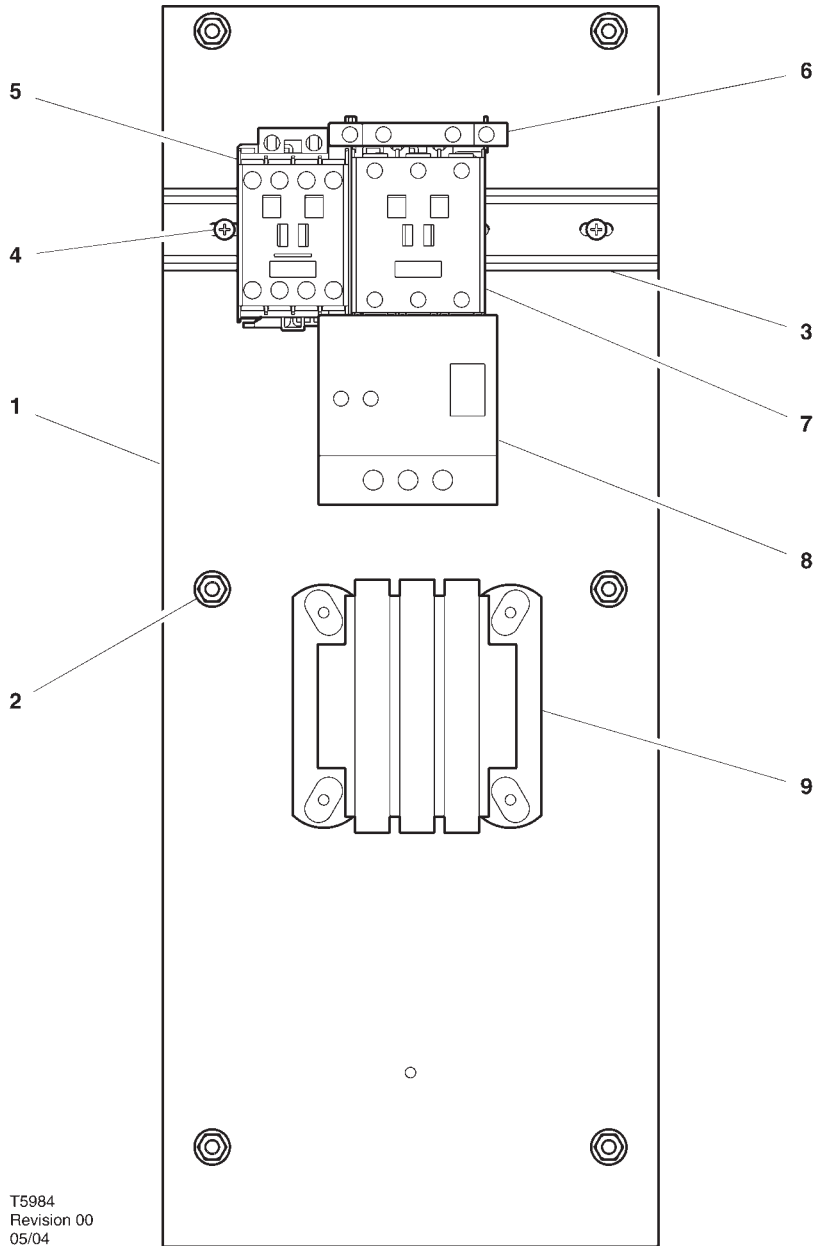


Item	ccn	Qty.	Description	Item	ccn	Qty.	Description
1	22413991	1	Panel	6	22132963	1	Contact, auxilliary
2	96737564	6	Nut	7	22384457	1	Contactor (43A)
3	22411987	1	Rail	8	22410716	1	Relay, overload
4	35252279	2	Screw	9	22410724	1	Transformer, fuse block
5	39255559	1	Relay, control				

UP5-4, UP5-5.5, UP5-7.5, UP5-11c, UP6-5, UP6-7.5, UP6-10, UP6-15c

INSTRUMENTATION / ELECTRICAL SYSTEM

15HP
230V
60Hz
F.V.

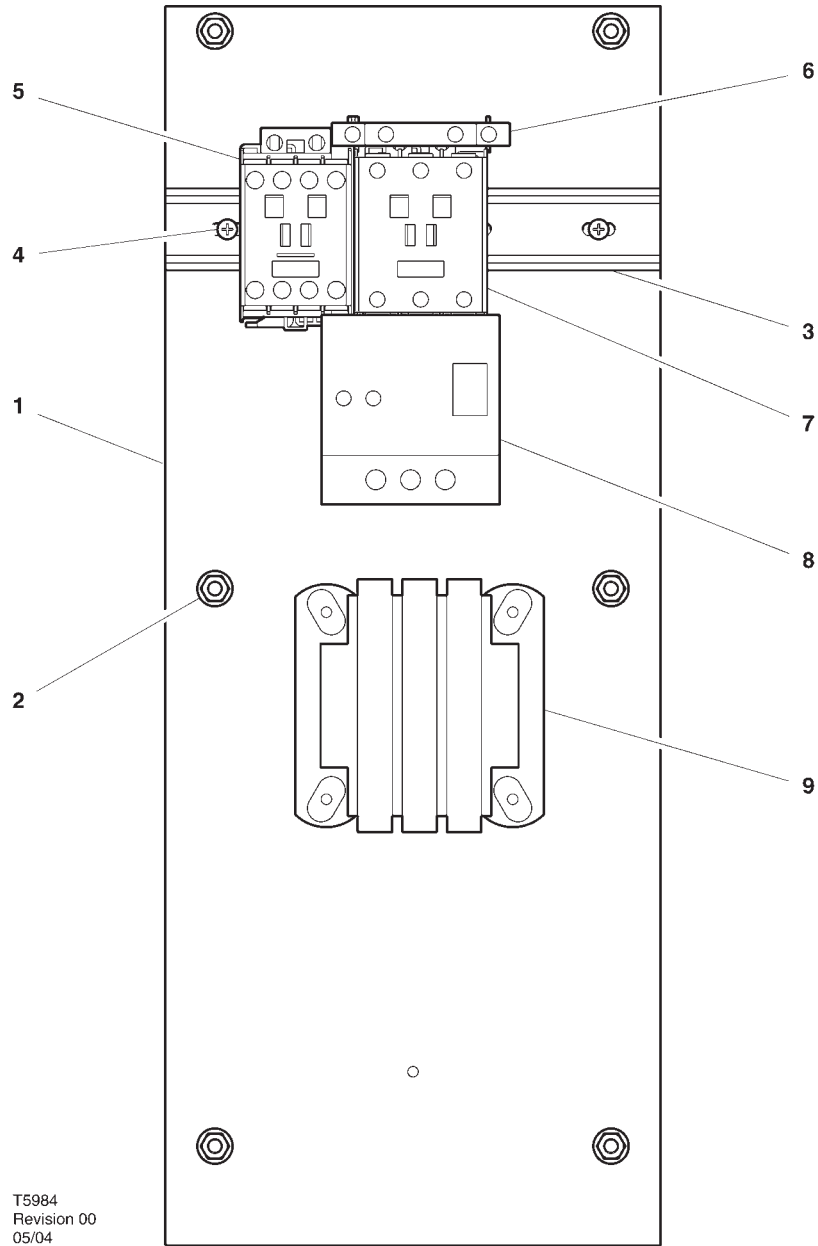


Item	ccn	Qty.	Description	Item	ccn	Qty.	Description
1	22413991	1	Panel	6	22132963	1	Contact, auxilliary
2	96737564	6	Nut	7	22384440	1	Contacter (43A)
3	22411987	1	Rail	8	22395883	1	Relay, overload
4	35252279	2	Screw	9	22395891	1	Transformer, fuse block
5	39255559	1	Relay, control				

UP5-4, UP5-5.5, UP5-7.5, UP5-11c, UP6-5, UP6-7.5, UP6-10, UP6-15c

INSTRUMENTATION / ELECTRICAL SYSTEM

15HP
380V
60Hz
F.V.

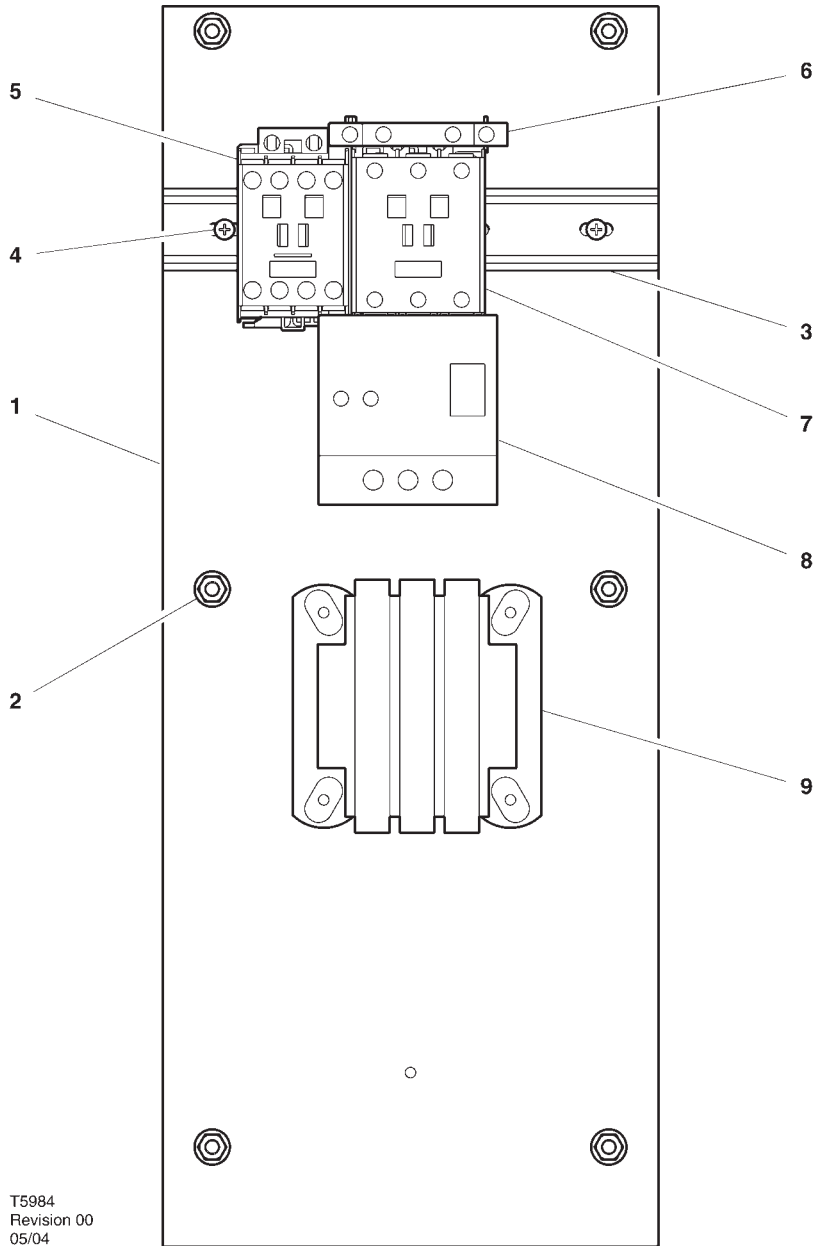


Item	ccn	Qty.	Description	Item	ccn	Qty.	Description
1	22413991	1	Panel	6	N/A		
2	96737564	6	Nut	7	22384424	1	Contactor (43A)
3	22411987	1	Rail	8	22395925	1	Relay, overload
4	35252279	2	Screw	9	22409387	1	Transformer, fuse block
5	N/A						

UP5-4, UP5-5.5, UP5-7.5, UP5-11c, UP6-5, UP6-7.5, UP6-10, UP6-15c

INSTRUMENTATION / ELECTRICAL SYSTEM

15HP
460V
60Hz
F.V.

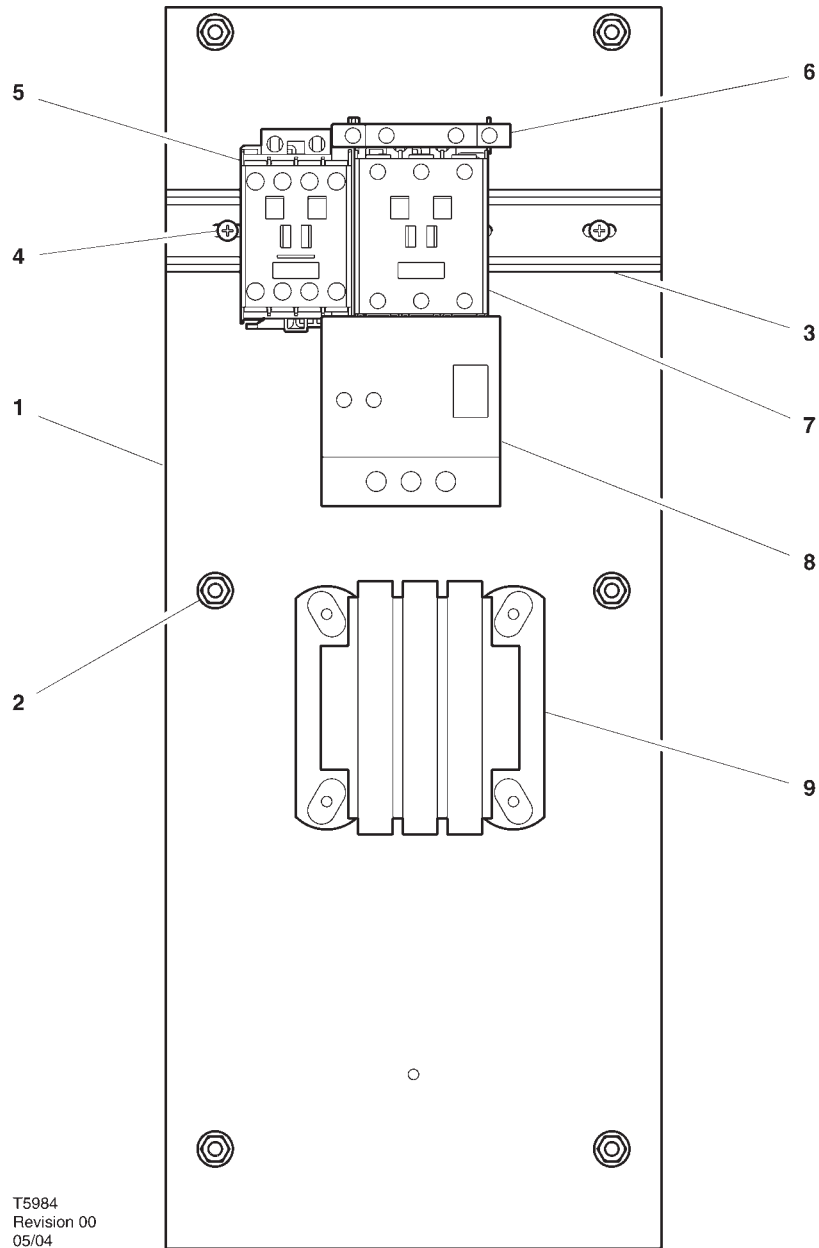


Item	ccn	Qty.	Description	Item	ccn	Qty.	Description
1	22413991	1	Panel	6	22132963	1	Contact, auxilliary
2	96737564	6	Nut	7	22384416	1	Contacter (43A)
3	22411987	1	Rail	8	22395917	1	Relay, overload
4	35252279	2	Screw	9	22395891	1	Transformer, fuse block
5	39255559	1	Relay, control				

UP5-4, UP5-5.5, UP5-7.5, UP5-11c, UP6-5, UP6-7.5, UP6-10, UP6-15c

INSTRUMENTATION / ELECTRICAL SYSTEM

15HP
575V
60Hz
F.V.



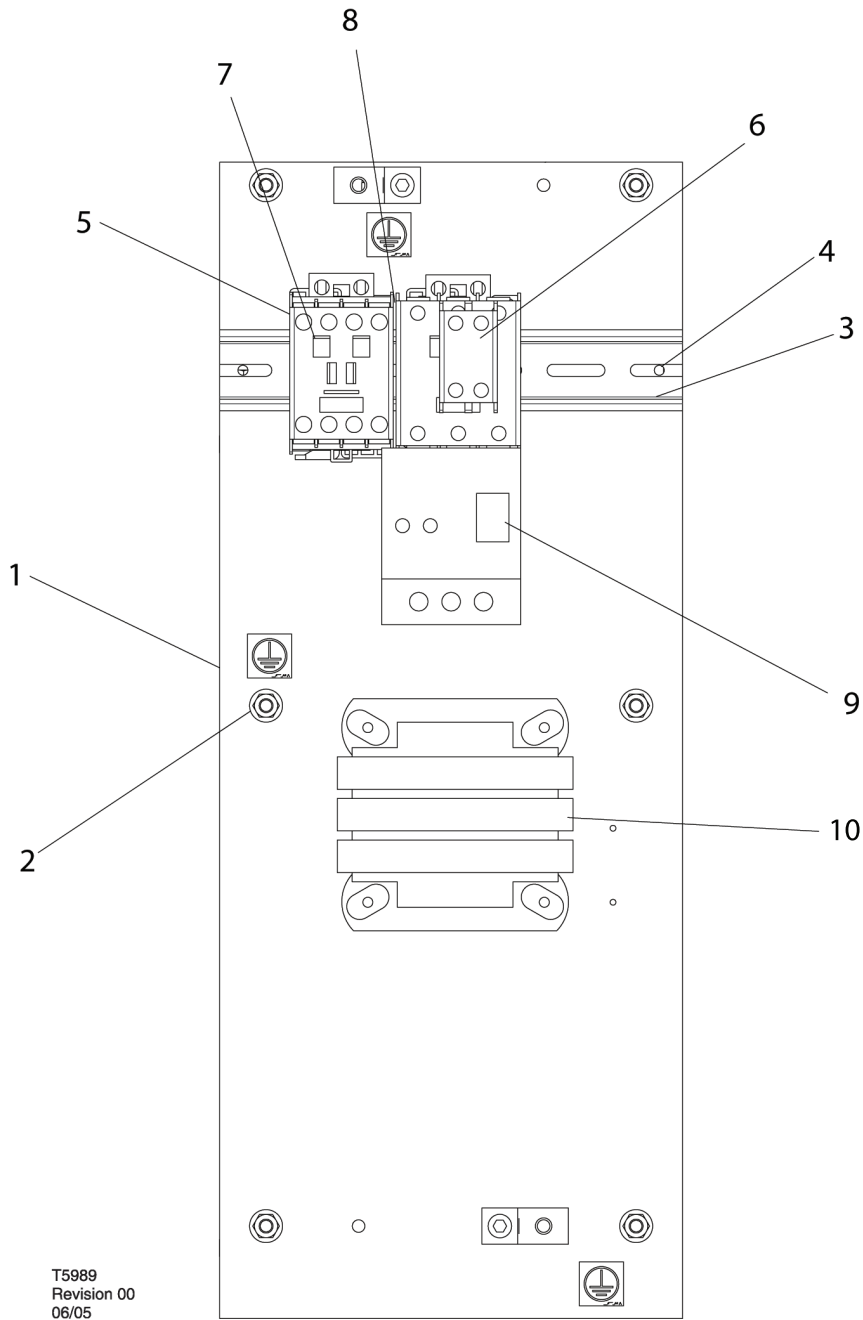
T5984
Revision 00
05/04

Item	ccn	Qty.	Description	Item	ccn	Qty.	Description
1	22413991	1	Panel	6	22132963	1	Contact, auxilliary
2	96737564	6	Nut	7	22384408	1	Contactur (43A)
3	22411987	1	Rail	8	22395933	1	Relay, overload
4	35252279	2	Screw	9	22410732	1	Transformer, fuse block
5	39255559	1	Relay, control				

UP5-4, UP5-5.5, UP5-7.5, UP5-11c, UP6-5, UP6-7.5, UP6-10, UP6-15c

INSTRUMENTATION / ELECTRICAL SYSTEM

10HP
230V
60Hz
S/D



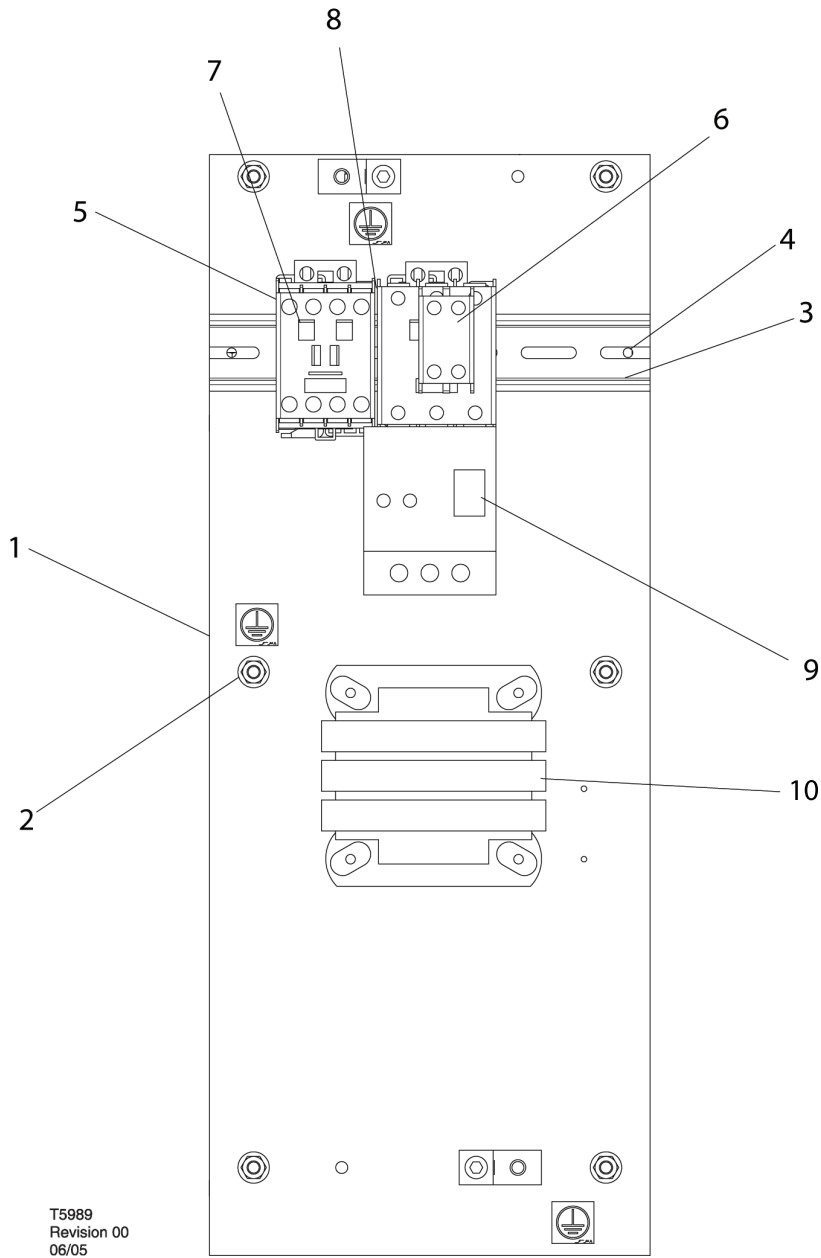
T5989
Revision 00
06/05

Item	ccn	Qty.	Description	Item	ccn	Qty.	Description
1	22413991	1	Panel	7	22384416	2	Contactors
2	96737564	6	Nut	8	22409031	1	Interlock, mechanical
3	22411987	1	Rail	9	22395917	1	Relay, overload
4	35252279	2	Screw	10	22395891	1	Transformer, fuse block
5	22132963	2	Contact, auxilliary				
6	22384408	1	Contactors				

UP5-4, UP5-5.5, UP5-7.5, UP5-11c, UP6-5, UP6-7.5, UP6-10, UP6-15c

INSTRUMENTATION / ELECTRICAL SYSTEM

10HP
460V
60Hz
S/D



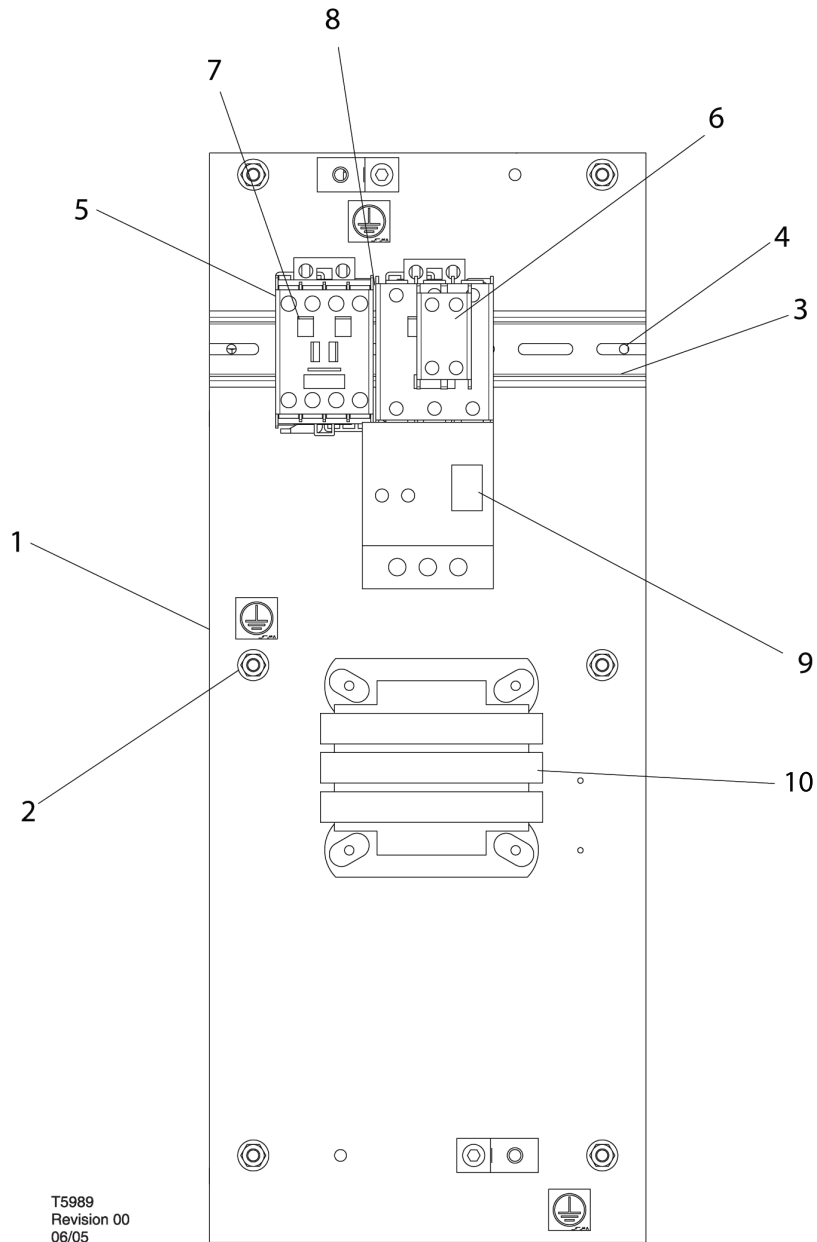
T5989
Revision 00
06/05

Item	ccn	Qty.	Description	Item	ccn	Qty.	Description
1	22413991	1	Panel	7	22384416	2	Contactors
2	96737564	6	Nut	8	22409031	1	Interlock, mechanical
3	22411987	1	Rail	9	22409411	1	Relay, overload
4	35252279	2	Screw	10	22395891	1	Transformer, fuse block
5	22132963	2	Contact, auxilliary				
6	22384408	1	Contactors				

UP5-4, UP5-5.5, UP5-7.5, UP5-11c, UP6-5, UP6-7.5, UP6-10, UP6-15c

INSTRUMENTATION / ELECTRICAL SYSTEM

10HP
380V
60Hz
S/D



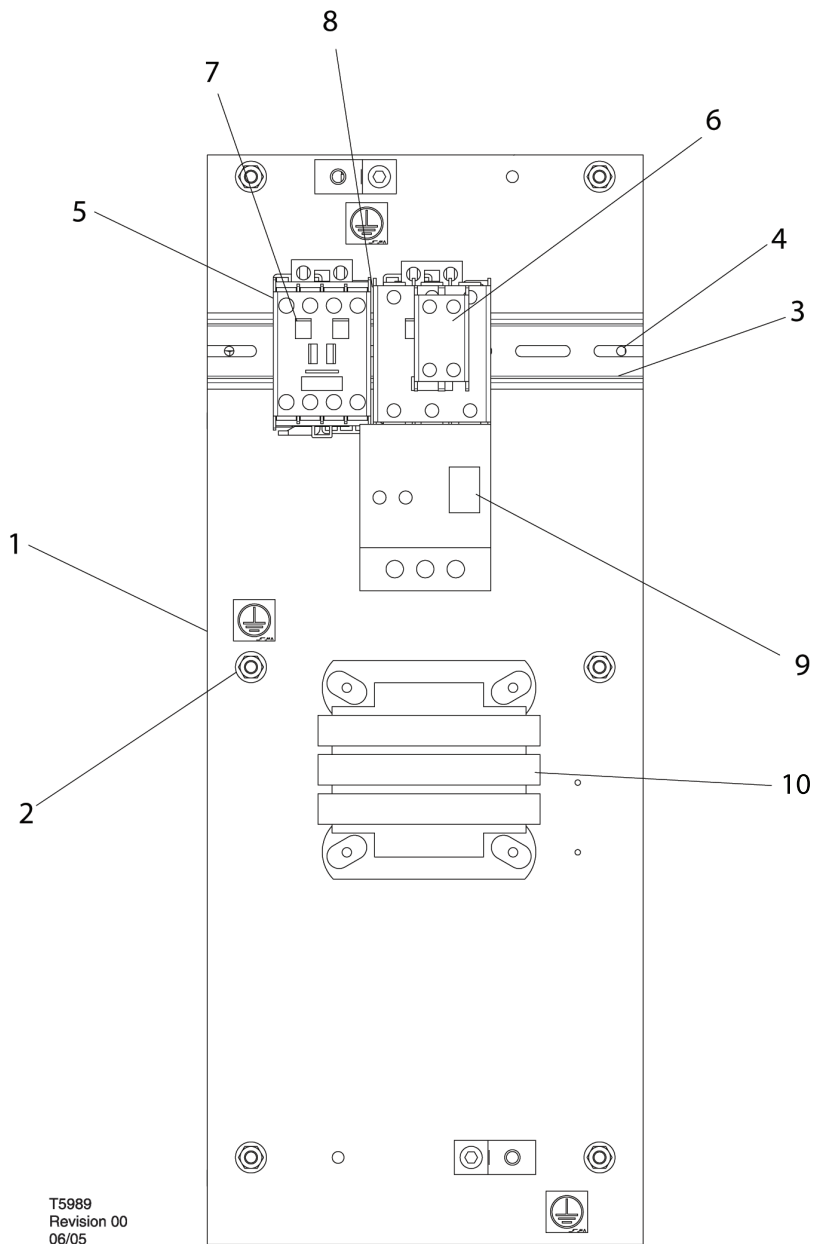
T5989
Revision 00
06/05

Item	ccn	Qty.	Description	Item	ccn	Qty.	Description
1	22413991	1	Panel	7	22384416	2	Contactors
2	96737564	6	Nut	8	22409031	1	Interlock, mechanical
3	22411987	1	Rail	9	22409411	1	Relay, overload
4	35252279	2	Screw	10	22395891	1	Transformer, fuse block
5	22132963	2	Contact, auxilliary				
6	22384408	1	Contactors				

UP5-4, UP5-5.5, UP5-7.5, UP5-11c, UP6-5, UP6-7.5, UP6-10, UP6-15c

INSTRUMENTATION / ELECTRICAL SYSTEM

15HP
230Vw
60Hz
S/D



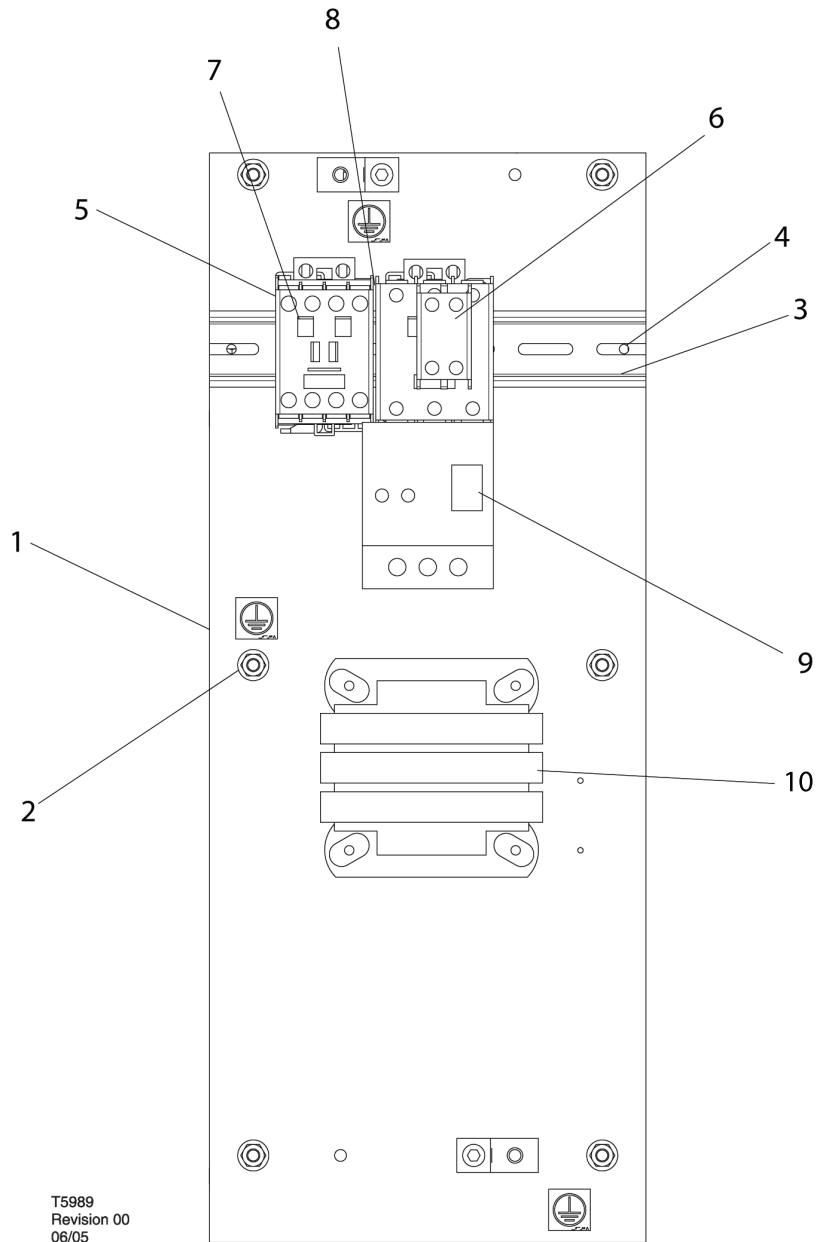
T5989
Revision 00
06/05

Item	ccn	Qty.	Description	Item	ccn	Qty.	Description
1	22413991	1	Panel	7	22384416	2	Contactors
2	96737564	6	Nut	8	22409031	1	Interlock, mechanical
3	22411987	1	Rail	9	22395917	1	Relay, overload
4	35252279	2	Screw	10	22395891	1	Transformer, fuse block
5	22132963	2	Contact, auxilliary				
6	22384408	1	Contactors				

UP5-4, UP5-5.5, UP5-7.5, UP5-11c, UP6-5, UP6-7.5, UP6-10, UP6-15c

INSTRUMENTATION / ELECTRICAL SYSTEM

15HP
380V
60Hz
S/D

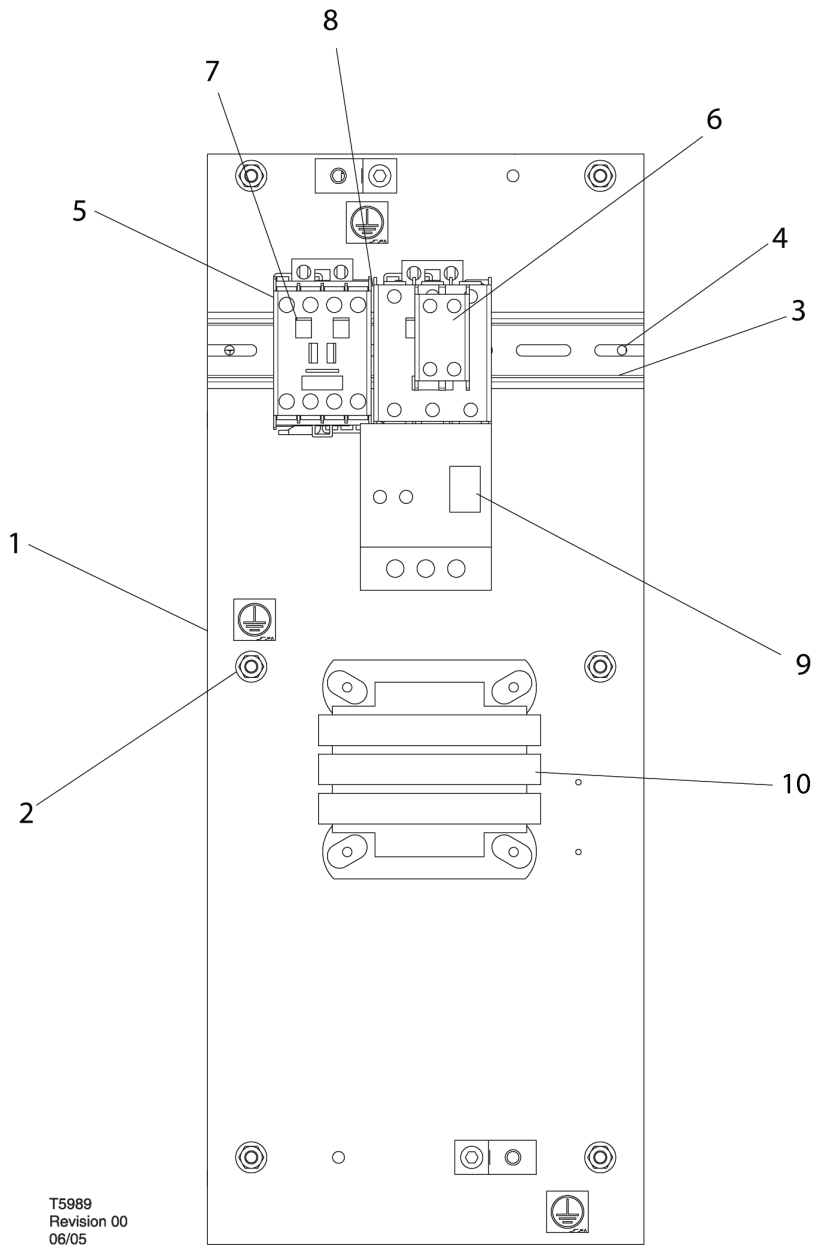


Item	ccn	Qty.	Description	Item	ccn	Qty.	Description
1	22413991	1	Panel	7	22384416	2	Contactors
2	96737564	6	Nut	8	22409031	1	Interlock, mechanical
3	22411987	1	Rail	9	22395958	1	Relay, overload
4	35252279	2	Screw	10	22395891	1	Transformer, fuse block
5	22132963	2	Contact, auxilliary				
6	22384408	1	Contactors				

UP5-4, UP5-5.5, UP5-7.5, UP5-11c, UP6-5, UP6-7.5, UP6-10, UP6-15c

INSTRUMENTATION / ELECTRICAL SYSTEM

15HP
460V
60Hz
S/D



Item	ccn	Qty.	Description	Item	ccn	Qty.	Description
1	22413991	1	Panel	7	22384416	2	Contactors
2	96737564	6	Nut	8	22409031	1	Interlock, mechanical
3	22411987	1	Rail	9	22395958	1	Relay, overload
4	35252279	2	Screw	10	22395891	1	Transformer, fuse block
5	22132963	2	Contact, auxilliary				
6	22384408	1	Contactors				

UP5-4, UP5-5.5, UP5-7.5, UP5-11c, UP6-5, UP6-7.5, UP6-10, UP6-15c

ccn	Description
80445273	Manual, Operation and Maintenance (Americas)
80445281	Manual, Operation and Maintenance (Europe)
80445307	Manual, Operation and Maintenance (Asia-Pacific)
80445265	Manual, Parts catalogue

RECOMMENDED PARTS

Service Items	
ccn	Description
92692284	Ultra coolant 5 L
38459582	Ultra coolant 20 L
92837095	Ultra coolant 1 L
88176367	KIT - ULTRACHECK 1 x SAMPLE
88171913	Element, air filter
85565596	Element 4/11 KW 10/15 HP Filter/Dryer F1081 HX
85565588	Element 4/11 KW 10/15 HP Filter/Dryer F1081GX
85565562	Element 5/7.5 HP F711 HX
85565547	Element 5/7.5 HP F711 GX
39329602	Filter, coolant
22388045	Cartridge, separator
22441489	Pushbutton, re-set
22384952	Button, emergency stop
22384929	Indicator (Green)
22401590	Valve, safety 16 BAR (PED)
22431761	Valve, safety 8.8 BAR - AP
22431779	Valve, safety 11 BAR - AP
22431787	Valve, safety 16 BAR - AP
22378665	Valve, safety (ASME)
22359871	Silencer - Valve, blowdown

ccn	Description
22480313	Fuse Dryer, 60Hz
22480305	Fuse Dryer, 50Hz
81291601	Fuse .5A
22177307	Fuse .75A
39193289	Fuse 1A (Time delay)
32203176	Fuse 1A (Non time delay)
22177299	Fuse 1.5A
38342028	Filter, Panel 4-Pack Small UP Series
23026636	Kit, Inlet Valve, N.C.
23013600	Kit, Inlet Valve, N.O.
22282024	Valve, Thermal Control
54579248	Valve, drain
23012313	Element , Control Air Filter
38450334	Drain Kit
38450367	O Ring Kit

AP - Asia Pacific Market

UP5-4, UP5-5.5, UP5-7.5, UP5-11c, UP6-5, UP6-7.5, UP6-10, UP6-15c

RECOMMENDED PARTS

ccn	Description
Start Up Kit	
23352131	Kit - Start up
1	Filter, coolant
1	Ultra coolant
	1 L

Suggested Change - Every 8000 Hours / 2 years	
22282024	Cartridge, thermal valve
38343513	Gauge, belt tension - "Krikrit I" (30-150lb. (13-68 Kg))
38343521	Gauge, belt tension - "Krikrit II" (100-300lb. (45-136 Kg))

Maintenance Kits - Every 2000 Hours (Standard)	
23352149	Kit - 2000 Hours (Standard)
92837095	Ultra coolant
	1 L
88171913	Element, air filter
39329602	Filter,oil
22388045	Element, separator
22421853	Pre-filter

Maintenance Kits - Every 8000 Hours (Standard)	
23352164	Kit - 8000 Hours (Standard)
92692284	Ultra coolant
	5L
88171913	Element, air filter
39329602	Filter,oil
22388045	Element, separator
22421853	Pre filter

ccn	Description
Maintenance Kits - Every 2000 Hours (With Dryer)	
23360928	Kit- 2000 Hours 5-7.5HP/4-5.5KW (With dryer)
92837095	Ultra coolant
	1L
88171913	Element, air filter
85565547	Element, GP filter Replacement
85565554	Element HE filter Replacement
39329602	Filter,oil
22388045	Element, separator
22421853	Pre filter

Maintenance Kits - Every 8000 Hours (With Dryer)	
23352172	Kit - 8000 Hours 10-15HP/7.5-11KW (With dryer)
92692284	Ultra coolant
	5L
88171913	Element, air filter
85565588	Element, GP filter Replacement
85565596	Element HE filter Replacement
39329602	Filter,oil
22388045	Element, separator
22421853	Pre filter

Maintenance Kits - Every 8000 Hours (With Dryer)	
23352180	Kit- 8000 Hours 5-7.5HP/4-5.5KW (With dryer)
92692284	Ultra coolant
	5L
88171913	Element, air filter
85565547	Element, GP filter Replacement
85565554	Element HE filter Replacement
39329602	Filter,oil
22388045	Element, separator
22421853	Pre filter

UP5-4, UP5-5.5, UP5-7.5, UP5-11c, UP6-5, UP6-7.5, UP6-10, UP6-15c

PIÈCES RECOMMANDÉES

Élément d'entretien	
ccn	Description
92692284	Ultra coolant 5 l
38459582	Ultra coolant 20 l
92837095	Ultra coolant 1 l
88176367	KIT - <i>ULTRACHECK</i> 1 ÉCHANTILLON
88171913	Element, air filter
85565596	Élément 4/11 KW 10/15 HP Filtre/Sécheur F1081 HX
85565588	Élément 4/11 KW 10/15 HP Filtre/Sécheur F1081GX
85565562	Élément 5/7.5 HP F711 HX
85565547	Élément 5/7.5 HP F711 GX
39329602	Filtre de liquide de refroidissement
22388045	Cartouche du séparateur
22441489	Bouton-poussoir de réinitialisation
22384952	Bouton d'arrêt d'urgence
22384929	Indicateur (vert)
22401590	Vanne de sécurité 16 BAR (PED)
22431761	Vanne de sécurité 8,8 BAR - AP
22431779	Vanne de sécurité 11 BAR - AP
22431787	Vanne de sécurité 16 BAR - AP
22378665	Vanne de sécurité (ASME, Association américaine des ingénieurs mécaniciens)
22359871	Silencieux - Robinet d'extraction

ccn	Description
22480313	Fusible Sécheur 60 Hz
22480305	Fusible Sécheur 50 Hz
81291601	Fusible 0,5 A
22177307	Fusible 0,75 A
39193289	Fusible 1A (temporisé)
32203176	Fusible 1A (non temporisé)
22177299	Fusible 1,5 A
38342028	Filter, Panel 4-Pack Small UP Series
23026636	Kit , Vstupní ventil, N.C.
23013600	Kit , Vstupní ventil, N.O.
22282024	Robinete de commande thermique
54579248	Robinete de vidange
23012313	Élément , commande du filtre à air
38450334	Vidange Kit
38450367	O Ring Kit

AP - Marché Asie Pacifique

PIÈCES RECOMMANDÉES

ccn	Description
Kit de démarrage	
23352131	Kit de démarrage
1	Filtre de liquide de refroidissement
1	Ultra coolant 1 l

Changement suggéré - Toutes les 8 000 heures/ tous les 2 ans	
22282024	Cartouche de la vanne thermique
38343513	Jauge de tension de la courroie - "Krikrit I" (13-68 kg (30-150 lb))
38343521	Jauge de tension de la courroie - "Krikrit II" (45-136 kg (100-300 lb))

Kits d'entretien - Toutes les 2 000 heures (Standard)	
23352149	Kits - 2 000 heures (Standard)
92837095	Ultra coolant 1 l
88171913	Élément du filtre à air
39329602	Filtre à huile
22388045	Élément séparateur
22421853	Předřazený filtr

Kits d'entretien - Toutes les 8 000 heures (Standard)	
23352164	Kits - 8 000 heures (Standard)
92692284	Ultra coolant 5 l
88171913	Élément du filtre à air
39329602	Filtre à huile
22388045	Élément séparateur
22421853	Předřazený filtr

ccn	Description
Kits d'entretien - Toutes les 2 000 heures (avec sécheur)	
23360928	Kits - 2 000 heures 5-7.5HP/4-5.5KW (avec sécheur)
92837095	Ultra coolant 1 l
88171913	Élément du filtre à air
85565547	Element, GP filter Replacement
85565554	Element HE filter Replacement
39329602	Filtre à huile
22388045	Élément séparateur
22421853	Předřazený filtr

Kits d'entretien - Toutes les 8 000 heures (avec sécheur)	
23352172	Kits - 8 000 heures 10-15HP/7.5-11KW (avec sécheur)
92692284	Ultra coolant 5 l
88171913	Élément du filtre à air
85565588	Element, GP filter Replacement
85565596	Element HE filter Replacement
39329602	Filtre à huile
22388045	Élément séparateur
22421853	Předřazený filtr

Kits d'entretien - Toutes les 8 000 heures (avec sécheur)	
23352180	Kits - 8 000 heures 5-7.5HP/4-5.5KW (avec sécheur)
92692284	Ultra coolant 5 l
88171913	Élément du filtre à air
85565547	Element, GP filter Replacement
85565554	Element HE filter Replacement
39329602	Filtre à huile
22388045	Élément séparateur
22421853	Předřazený filtr

UP5-4, UP5-5.5, UP5-7.5, UP5-11c, UP6-5, UP6-7.5, UP6-10, UP6-15c

Revisie-items

ccn	Omschrijving
92692284	Ultra coolant 5 l
38459582	Ultra coolant 20 l
92837095	Ultra coolant 1 l

88176367	SET - <i>ULTRACHECK</i> 1 x MONSTER
----------	--

88171913	Element, luchtfilter
85565596	Element 4/11 KW 10/15 HP Filter/Droger F1081 HX
85565588	Element 4/11 KW 10/15 HP Filter/Droger F1081GX
85565562	Element 5/7.5 HP F711 HX
85565547	Element 5/7.5 HP F711 GX

39329602	Filter, koelmiddel
22388045	Cartridge, scheidingselement
22441489	Druknop, resetten
22384952	Knop, noodstop
22384929	Indicatielampje (groen)
22401590	Veiligheidsklep 16 BAR (PED)
22431761	Veiligheidsklep 8,8 BAR - AP
22431779	Veiligheidsklep 11 BAR - AP
22431787	Veiligheidsklep 16 BAR - AP
22378665	Veiligheidsklep (ASME, Amerikaanse organisatie van mechanische monteurs)
22359871	Demper Spuiklep

ccn	Omschrijving
22480313	Zekering Droger, 60Hz
22480305	Zekering Droger, 50Hz
81291601	Zekering 0,5A
22177307	Zekering 0,75A
39193289	Zekering 1A (vertraging)
32203176	Zekering 1A (zonder vertraging)
22177299	Zekering 1,5A
38342028	Paneelfilter, pakket van 4 voor Small UP-serie
23026636	Sæt - indsugningsventil, N.C.
23013600	Sæt - indsugningsventil, N.O.
22282024	Thermische regelklep
54579248	Aftapklep

23012313	Element , Control Air Filter
38450334	Drain Kit
38450367	O Ring Kit

AP - Azië en landen aan Stille Oceaan

AANBEVOLEN ONDERDELEN

ccn	Omschrijving
Startersset	
23352131	Startersset
	1 Koelmiddelfilter
	1 Ultra coolant
	1 l

Om de 8000 uur/2 jaar vervangen (aanbevolen)	
22282024	Cartridge, thermische klep
38343513	Riemspanningsmeter
	"Kriket I" (13-68kg (30-150lb.))
38343521	Riemspanningsmeter
	"Kriket II" (45-136kg (100-300lb.))

Onderhoudsset - Om de 2000 uur (Standard)	
23352149	Set - 2000 uur (Standard)
92837095	Ultra coolant
	1 l
88171913	Element, luchtfilter
39329602	Oliefilter
22388045	Scheidingselement
22421853	Forfilter

Onderhoudsset - Om de 8000 uur (Standard)	
23352164	Set - 8000 uur (Standard)
92692284	Ultra coolant
	5L
88171913	Element, luchtfilter
39329602	Oliefilter
22388045	Scheidingselement
22421853	Forfilter

ccn	Omschrijving
Onderhoudsset - Om de 2000 uur (met droger)	
23360928	Set - 2000 uur 5-7.5HP/4-5.5KW (met droger)
92837095	Ultra coolant
	1L
88171913	Element, luchtfilter
85565547	Element, GP filter Replacement
85565554	Element HE filter Replacement
39329602	Oliefilter
22388045	Scheidingselement
22421853	Forfilter

Onderhoudsset - Om de 8000 uur (met droger)	
23352172	Set - 8000 uur 10-15HP/7.5-11KW (met droger)
92692284	Ultra coolant
	5L
88171913	Element, luchtfilter
85565588	Element, GP filter Replacement
85565596	Element HE filter Replacement
39329602	Oliefilter
22388045	Scheidingselement
22421853	Forfilter

Onderhoudsset - Om de 8000 uur (met droger)	
23352180	Set - 8000 uur 5-7.5HP/4-5.5KW (met droger)
92692284	Ultra coolant
	5L
88171913	Element, luchtfilter
85565547	Element, GP filter Replacement
85565554	Element HE filter Replacement
39329602	Oliefilter
22388045	Scheidingselement
22421853	Forfilter

UP5-4, UP5-5.5, UP5-7.5, UP5-11c, UP6-5, UP6-7.5, UP6-10, UP6-15c

EMPFOHLENE ERSATZTEILE

Service Items	
ccn	Beschreibung
92692284	Ultra coolant 5 l
38459582	Ultra coolant 20 l
92837095	Ultra coolant 1 l
88176367	WARTUNGSKIT <i>ULTRACHECK</i> 1 PROBE
88171913	Element, Luftfilter
85565596	Element 4/11 KW 10/15 HP Filter/Trockner F1081 HX
85565588	Element 4/11 KW 10/15 HP Filter/Trockner F1081GX
85565562	Element 5/7.5 HP F711 HX
85565547	Element 5/7.5 HP F711 GX
39329602	Filter, Kühlmittel
22388045	Patrone, Abscheider
22441489	Reset-Taste
22384952	Not-Aus-Taste
22384929	Anzeige (Grün)
22401590	Sicherheitsventil 16 bar (PED)
22431761	Sicherheitsventil 8,8 bar - AP
22431779	Sicherheitsventil 11 bar - AP
22431787	Sicherheitsventil 16 bar - AP
22378665	Sicherheitsventil (ASME, Amerikanische Gesellschaft der Maschinenbauingenieure)
22359871	Schalldämpfer - Ausblaseventil

ccn	Beschreibung
22480313	Sicherung Trockner, 60 Hz
22480305	Sicherung Trockner, 50 Hz
81291601	Sicherung 0,5 A
22177307	Sicherung 0,75 A
39193289	Sicherung 1A (Zeitverzögerung)
32203176	Sicherung 1A (Keine Zeitverzögerung)
22177299	Sicherung 1,5A
38342028	Plattenfilter 4er-Pack Small UP-Serie
23026636	Kit, Einlassventil, N.C.
23013600	Kit, Einlassventil, N.O.
22282024	Thermo-Steuerventil
54579248	Ablassventil
23012313	Element , Control Air Filter
38450334	Drain Kit
38450367	O Ring Kit

AP - Asien-Pazifik-Markt

UP5-4, UP5-5.5, UP5-7.5, UP5-11c, UP6-5, UP6-7.5, UP6-10, UP6-15c

EMPFOHLENE ERSATZTEILE

ccn	Beschreibung
Inbetriebnahmekit	
23352131	Inbetriebnahmekit
1	Kühlmittelfilter
1	Ultra coolant
	1 l

Empfohlener Austausch - Alle 8.000 Stunden / 2 Jahre	
22282024	Patrone, Thermoventil
38343513	Stärke, Riemenspannung - „Krikrit I“ (13-68 kg (30-150 Pfund))
38343521	Stärke, Riemenspannung - „Krikrit II“ (45-136 kg (100-300 Pfund))

Wartungskits - Alle 2.000 Stunden (Standard)	
23352149	Wartungskit - 2.000 Stunden (Standard)
92837095	Ultra coolant 1 l
88171913	Element, Luftfilter
39329602	Ölfilter
22388045	Element, Abscheider
22421853	Vorfilter

Wartungskits - Alle 8.000 Stunden (Standard)	
23352164	Wartungskit - 8.000 Stunden (Standard)
92692284	Ultra coolant 5 l
88171913	Element, Luftfilter
39329602	Ölfilter
22388045	Element, Abscheider
22421853	Vorfilter

ccn	Beschreibung
Wartungskits - Alle 2.000 Stunden (mit Trockner)	
23360928	Wartungskit - 2.000 Stunden 5-7.5HP/4-5.5KW (mit Trockner)
92837095	Ultra coolant 1 l
88171913	Element, Luftfilter
85565547	Element, GP-Filterwiedereinbau
85565554	Element, HE-Filterwiedereinbau
39329602	Ölfilter
22388045	Element, Abscheider
22421853	Vorfilter

Wartungskits - Alle 8.000 Stunden (mit Trockner)	
23352172	Wartungskit - 8.000 Stunden 10-15HP/7.5-11KW (mit Trockner)
92692284	Ultra coolant 5 l
88171913	Element, Luftfilter
85565588	Element, GP-Filterwiedereinbau
85565596	Element, HE-Filterwiedereinbau
39329602	Ölfilter
22388045	Element, Abscheider
22421853	Vorfilter

Wartungskits - Alle 8.000 Stunden (mit Trockner)	
23352180	Wartungskit - 8.000 Stunden 5-7.5HP/4-5.5KW (mit Trockner)
92692284	Ultra coolant 5 l
88171913	Element, Luftfilter
85565547	Element, GP-Filterwiedereinbau
85565554	Element, HE-Filterwiedereinbau
39329602	Ölfilter
22388045	Element, Abscheider
22421853	Vorfilter

UP5-4, UP5-5.5, UP5-7.5, UP5-11c, UP6-5, UP6-7.5, UP6-10, UP6-15c

PEÇAS RECOMENDADAS

Service Items

ccn	Descrição
92692284	Ultra coolant 5 l
38459582	Ultra coolant 20 l
92837095	Ultra coolant 1 l

88176367	KIT - <i>ULTRACHECK</i> 1 AMOSTRA
----------	--------------------------------------

88171913	Elemento, filtro de ar
85565596	Elemento 4/11 KW 10/15 HP Filter/Dryer F1081 HX
85565588	Elemento 4/11 KW 10/15 HP Filtro/Secador F1081GX
85565562	Elemento 5/7.5 HP F711 HX
85565547	Elemento 5/7.5 HP F711 GX

39329602	Filtro, líquido de refrigeração
22388045	Cartucho, separador
22441489	Botão de pressão, restabelecimento
22384952	Botão, paragem de emergência
22384929	Indicador (verde)
22401590	Válvula, segurança 16 bar (PED)
22431761	Válvula, segurança 8,8 bar - AP
22431779	Válvula, segurança 11 bar - AP
22431787	Válvula, segurança 16 bar - AP
22378665	Válvula, segurança (ASME, Associação Americana dos Engenheiros Mecânicos)
22359871	Silenciador - Válvula, purga

ccn	Descrição
22480313	Fusível Secador, 60 Hz
22480305	Fusível Secador, 50 Hz
81291601	Fusível 0,5 A
22177307	Fusível 0,75 A
39193289	Fusível 1A (com retardamento)
32203176	Fusível 1A (sem retardamento)
22177299	Fusível 1,5A
38342028	Filtro, Unidades de 4 painéis da série Small UP
23026636	Εξάρτηση, βαλβίδα κολπίσκων, Ν.Ο.
23013600	Εξάρτηση, βαλβίδα κολπίσκων, Ν.Ο.
22282024	Válvula, controlo térmico
54579248	Válvula, dreno

23012313	Element , Control Air Filter
38450334	Drain Kit
38450367	O Ring Kit

AP - Mercado Ásia Pacífico

UP5-4, UP5-5.5, UP5-7.5, UP5-11c, UP6-5, UP6-7.5, UP6-10, UP6-15c

PEÇAS RECOMENDADAS

ccn	Descrição
Kit de Arranque	
23352131	Kit - Arranque
1	Filtro, líquido de refrigeração
1	Ultra coolant 1 l

Alteração sugerida – Todas as 8.000 horas / 2 anos	
22282024	Cartucho, válvula térmica
38343513	Dispositivo de medição, tensão da correia – "Krikrit I" (13-68 Kg (30-150 lb.))
38343521	Dispositivo de medição, tensão da correia – "Krikrit II" (45-136 Kg (100-300 lb.))

Kits de Manutenção – Todas as 2.000 Horas (normal)	
23352149	Kits de manutenção – Todas as 2.000 Horas (Normalizados)
92837095	Ultra coolant 1 l
88171913	Elemento, filtro de ar
39329602	Filtro, óleo
22388045	Elemento, separador
22421853	προ-φίλτρο

Kits de Manutenção – Todas as 8.000 Horas (normal)	
23352164	Kits de manutenção – Todas as 8.000 Horas (Standard)
92692284	Ultra coolant 5 l
88171913	Elemento, filtro de ar
39329602	Filtro, óleo
22388045	Elemento, separador
22421853	προ-φίλτρο

ccn	Descrição
Kits de Manutenção – Todas as 2.000 Horas (com secador)	
23360928	Kits de manutenção – Todas as 2.000 Horas 5-7.5HP/4-5.5KW (com secador)
92837095	Ultra coolant 1L
88171913	Elemento, filtro de ar
85565547	Στοιχείο, GP αντικατάσταση φίλτρων
85565554	Στοιχείο, HE αντικατάσταση φίλτρων
39329602	Filtro, óleo
22388045	Element, separator
22421853	προ-φίλτρο

Kits de Manutenção – Todas as 8.000 Horas (com secador)	
23352172	Kits de manutenção – Todas as 8.000 Horas 10-15HP/7.5-11KW (com secador)
92692284	Ultra coolant 5L
88171913	Elemento, filtro de ar
85565588	Στοιχείο, GP αντικατάσταση φίλτρων
85565596	Στοιχείο, HE αντικατάσταση φίλτρων
39329602	Filtro, óleo
22388045	Element, separator
22421853	προ-φίλτρο

Kits de Manutenção – Todas as 8.000 Horas (com secador)	
23352180	Kits de manutenção – Todas as 8.000 Horas 5-7.5HP/4-5.5KW (com secador)
92692284	Ultra coolant 5 l
88171913	Elemento, filtro de ar
85565547	Στοιχείο, GP αντικατάσταση φίλτρων
85565554	Στοιχείο, HE αντικατάσταση φίλτρων
39329602	Filtro, óleo
22388045	Elemento, separador
22421853	προ-φίλτρο

UP5-4, UP5-5.5, UP5-7.5, UP5-11c, UP6-5, UP6-7.5, UP6-10, UP6-15c

COMPONENTI CONSIGLIATI

Articoli di servizio

ccn	Descrizione
92692284	Ultra coolant 5 L
38459582	Ultra coolant 20 L
92837095	Ultra coolant 1 L

88176367	KIT - <i>ULTRACHECK</i> 1 CAMPIONE
----------	---------------------------------------

88171913	Elemento, filtro dell'aria
85565596	Elemento 4/11 KW 10/15 HP Filtro/essiccatore F1081 HX
85565588	Elemento 4/11 KW 10/15 HP Filtro/essiccatore F1081GX
85565562	Elemento 5/7.5 HP F711 HX
85565547	Elemento 5/7.5 HP F711 GX

39329602	Filtro, refrigerante
22388045	Cartuccia, separatore
22441489	Pulsante, reimpostazione
22384952	Pulsante, arresto d'emergenza
22384929	Indicatore (verde)
22401590	Valvola, sicurezza 16 BAR (PED)
22431761	Valvola, sicurezza 8,8 BAR - AP
22431779	Valvola, sicurezza 11 BAR - AP
22431787	Valvola, sicurezza 16 BAR - AP
22378665	Valvola, sicurezza (ASME, Associazione americana degli ingegneri meccanici)
22359871	Silenziatore - Valvola, scarico

ccn	Descrizione
22480313	Fusibile Essiccatore, 60 Hz
22480305	Fusibile Essiccatore, 50 Hz
81291601	Fusibile 0,5 A
22177307	Fusibile 0,75 A
39193289	Fusibile 1A (Con ritardo)
32203176	Fusibile 1A (Senza ritardo)
22177299	Fusibile 1,5A
38342028	Filtro, pacchetto da 4 per pannello serie Small UP
23026636	Kit, válvula de entrada, N.C.
23013600	Kit, válvula de entrada, N.O.
22282024	Valvola, controllo termico
54579248	Valvola, drenaggio

23012313	Element , Control Air Filter
38450334	Drain Kit
38450367	O Ring Kit

AP - Mercato Asia Pacifico

UP5-4, UP5-5.5, UP5-7.5, UP5-11c, UP6-5, UP6-7.5, UP6-10, UP6-15c

COMPONENTI CONSIGLIATI

ccn	Descrizione
Kit per l'avvio	
23352131	Kit per l'avvio
1	Filtro, refrigerante
1	Ultra coolant 1 L

Sostituzione consigliata - Ogni 8.000 ore / 2 anni	
22282024	Cartridge, thermal valve
38343513	Gauge, belt tension - "Krikrit I" (30-150lb. (13-68 Kg))
38343521	Gauge, belt tension - "Krikrit II" (100-300lb. (45-136 Kg))

Kit di manutenzione - Ogni 2.000 ore (Standard)	
23352149	Kit - 2.000 ore (Standard)
92837095	Ultra coolant 1 L
88171913	Elemento, filtro dell'aria
39329602	Filtro, olio
22388045	Elemento, separatore
22421853	Prefiltro

Kit di manutenzione - Ogni 8.000 ore (Standard)	
23352164	Kit - 8.000 ore (Standard)
92692284	Ultra coolant 5L
88171913	Elemento, filtro dell'aria
39329602	Filtro, olio
22388045	Elemento, separatore
22421853	Prefiltro

ccn	Descrizione
Kit di manutenzione - Ogni 2.000 ore (con essiccatore)	
23360928	Kit - 2.000 ore 5-7.5HP/4-5.5KW (con essiccatore)
92837095	Ultra coolant 1L
88171913	Elemento, filtro dell'aria
85565547	Elemento, reemplazo del filtro del GP
85565554	Elemento, reemplazo del filtro del HE
39329602	Filtro, olio
22388045	Elemento, separatore
22421853	Prefiltro

Kit di manutenzione - Ogni 8.000 ore (con essiccatore)	
23352172	Kit - 8.000 ore 10-15HP/7.5-11KW (con essiccatore)
92692284	Ultra coolant 5L
88171913	Elemento, filtro dell'aria
85565588	Elemento, reemplazo del filtro del GP
85565596	Elemento, reemplazo del filtro del HE
39329602	Filtro, olio
22388045	Elemento, separatore
22421853	Prefiltro

Kit di manutenzione - Ogni 8.000 ore (con essiccatore)	
23352180	Kit - 8.000 ore 5-7.5HP/4-5.5KW (con essiccatore)
92692284	Ultra coolant 5L
88171913	Elemento, filtro dell'aria
85565547	Elemento, reemplazo del filtro del GP
85565554	Elemento, reemplazo del filtro del HE
39329602	Filtro, olio
22388045	Elemento, separatore
22421853	Prefiltro

UP5-4, UP5-5.5, UP5-7.5, UP5-11c, UP6-5, UP6-7.5, UP6-10, UP6-15c

Componentes de servicio

ccn	Descripción
92692284	Ultra coolant 5 l
38459582	Ultra coolant 20 l
92837095	Ultra coolant 1 l

88176367	KIT - <i>ULTRACHECK</i> 1 x SAMPLE
----------	---------------------------------------

88171913	Elemento del filtro de aire
85565596	Elemento 4/11 KW 10/15 HP Filtro/Secador F1081 HX
85565588	Elemento 4/11 KW 10/15 HP Filtro/Secador F1081GX
85565562	Elemento 5/7.5 HP F711 HX
85565547	Elemento 5/7.5 HP F711 GX

39329602	Filtro del líquido refrigerante
22388045	Cartucho del separador
22441489	Botón pulsador de reinicio
22384952	Botón de parada de emergencia
22384929	Indicador (verde)
22401590	Válvula de seguridad 16 bar (PED)
22431761	Válvula de seguridad 8,8 bar - AP
22431779	Válvula de seguridad 11 bar - AP
22431787	Válvula de seguridad 16 bar - AP
22378665	Válvula de seguridad (ASME, Sociedad americana de ingenieros mecánicos)
22359871	Silenciador -Válvula de purga

ccn	Descripción
22480313	Fusible Secador, 60 Hz
22480305	Fusible Secador, 50 Hz
81291601	Fusible 0,5 A
22177307	Fusible 0,75 A
39193289	Fusible 1A (retraso temporal)
32203176	Fusible 1A (sin retraso temporal)
22177299	Fusible 1,5A
38342028	Filtros del panel (en paquetes de 4) de la serie Small UP
23026636	Sisselaskeklapi komplekt, N.C.
23013600	Sisselaskeklapi komplekt, N.O.
22282024	Válvula de control térmico
54579248	Válvula de drenaje

23012313	Element , Control Air Filter
38450334	Drain Kit
38450367	O Ring Kit

AP - Mercato Asia Pacifico

PIEZAS RECOMENDADAS

ccn	Descripción
Kit de arranque	
23352131	Kit de arranque
1	Filtro del líquido refrigerante
1	Ultra coolant 1 l

Sustitución recomendada - Cada 8.000 horas / 2 años	
22282024	Cartridge, thermal valve
38343513	Gauge, belt tension - "Krikrit I" (30-150lb. (13-68 Kg))
38343521	Gauge, belt tension - "Krikrit II" (100-300lb. (45-136 Kg))

Kits de mantenimiento - Cada 2.000 horas (estándar)	
23352149	Kit - 2.000 horas (estándar)
92837095	Ultra coolant 1 l
88171913	Elemento del filtro de aire
39329602	Filtro de aceite
22388045	Elemento del separador
22421853	Eelfilter

Kits de mantenimiento - Cada 8.000 horas (estándar)	
23352164	Kit - 8.000 horas (estándar)
92692284	Ultra coolant 5 l
88171913	Elemento del filtro de aire
39329602	Filtro de aceite
22388045	Elemento del separador
22421853	Eelfilter

ccn	Descripción
Kits de mantenimiento - Cada 2.000 horas (con secador)	
23360928	Kit - 2.000 horas 5-7.5HP/4-5.5KW (con secador)
92837095	Ultra coolant 1
88171913	Elemento del filtro de aire
85565547	Element, GP filter Replacement
85565554	Element HE filter Replacement
39329602	Filtro de aceite
22388045	Elemento del separador
22421853	Eelfilter

Kits de mantenimiento - Cada 8.000 horas (con secador)	
23352172	Kit - 8.000 horas 10-15HP/7.5-11KW (con secador)
92692284	Ultra coolant 5 l
88171913	Elemento del filtro de aire
85565588	Element, GP filter Replacement
85565596	Element HE filter Replacement
39329602	Filtro de aceite
22388045	Elemento del separador
22421853	Eelfilter

Kits de mantenimiento - Cada 8.000 horas (con secador)	
23352180	Kit - 8.000 horas 5-7.5HP/4-5.5KW (con secador)
92692284	Ultra coolant 5 l
88171913	Elemento del filtro de aire
85565547	Element, GP filter Replacement
85565554	Element HE filter Replacement
39329602	Filtro de aceite
22388045	Elemento del separador
22421853	Eelfilter

UP5-4, UP5-5.5, UP5-7.5, UP5-11c, UP6-5, UP6-7.5, UP6-10, UP6-15c

Service dele

ccn	Beskrivelse
92692284	Ultra coolant 5 l
38459582	Ultra coolant 20 l
92837095	Ultra coolant 1 l

88176367	SÆT - ULTRACHECK 1 x PRØVE
----------	-------------------------------

88171913	Element, luftfilter
85565596	Element 4/11 KW 10/15 HP Filter/tørrer F1081 HX
85565588	Element 4/11 KW 10/15 HP Filter/tørrer F1081GX
85565562	Element 5/7.5 HP F711 HX
85565547	Element 5/7.5 HP F711 GX

39329602	Filter, kølevæske
22388045	Patron, separator
22441489	Trykknop, nulstil
22384952	Knap, nødstop
22384929	Indikator (grøn)
22401590	Ventil, sikkerheds 16 BAR (PED)
22431761	Ventil, sikkerheds 8,8 BAR - AP
22431779	Ventil, sikkerheds 11 BAR - AP
22431787	Ventil, sikkerheds 16 BAR - AP
22378665	Ventil, sikkerheds (ASME, Amerikansk sammenslutning af maskiningeniører)
22359871	Lyddæmper - Ventil, afblæsning

ccn	Beskrivelse
22480313	Sikring Tørrer, 60Hz
22480305	Sikring Tørrer, 50Hz
81291601	Sikring 0,5 A
22177307	Sikring 0,75 A
39193289	Sikring 1A (Tidsforsinkelse)
32203176	Sikring 1A (Ingen tidsforsinkelse)
22177299	Sikring 1,5A
38342028	Filter, Panel 4-Pack Small UP-serie
23026636	Sarja, imuventtiili, N.C.
23013600	Sarja, imuventtiili, N.O.
22282024	Ventil, termoregulering
54579248	Ventil, afdræning

23012313	Element , Control Air Filter
38450334	Drain Kit
38450367	O Ring Kit

AP - Stillehavsasiatiske marked

ANBEFALEDE DELE

ccn	Beskrivelse
Opstartssæt	
23352131	Opstartssætt
1	Filter, kølevæske
1	Ultra coolant
	1 l

Anbefalet skift - Hver 8000 timer / 2 år	
22282024	Patron, termoventil
38343513	Måler, remstramning - "Kriket I" (13-68 kg (30-150 lb))
38343521	Måler, remstramning - "Kriket II" (45-136 kg (30-150 lb))

Vedligeholdelsessæt - Hver 2000 timer (Standard)	
23352149	Sæt - 2000 timer (Standard)
92837095	Ultra coolant 1 l
88171913	Element, luftfilter
39329602	Filter, olie
22388045	Element, separator
22421853	Esisuodatin

Vedligeholdelsessæt - Hver 8000 timer (Standard)	
23352164	Sæt - 8000 timer (Standard)
92692284	Ultra coolant 5 l
88171913	Element, luftfilter
39329602	Filter, olie
22388045	Element, separator
22421853	Esisuodatin

ccn	Beskrivelse
Vedligeholdelsessæt - Hver 2000 timer (med tørrer)	
23360928	Sæt - 2000 timer 5-7.5HP/4-5.5KW (med tørrer)
92837095	Ultra coolant 1 l
88171913	Element, luftfilter
85565547	Element, GP filter Replacement
85565554	Element HE filter Replacement
39329602	Filter, olie
22388045	Element, separator
22421853	Esisuodatin

Vedligeholdelsessæt - Hver 8000 timer (med tørrer)	
23352172	Sæt - 8000 timer 10-15HP/7.5-11KW (med tørrer)
92692284	Ultra coolant 5 l
88171913	Element, luftfilter
85565588	Element, GP filter Replacement
85565596	Element HE filter Replacement
39329602	Filter, olie
22388045	Element, separator
22421853	Esisuodatin

Vedligeholdelsessæt - Hver 8000 timer (med tørrer)	
23352180	Sæt - 8000 timer 5-7.5HP/4-5.5KW (med tørrer)
92692284	Ultra coolant 5 l
88171913	Element, luftfilter
85565547	Element, GP filter Replacement
85565554	Element HE filter Replacement
39329602	Filter, olie
22388045	Element, separator
22421853	Esisuodatin

UP5-4, UP5-5.5, UP5-7.5, UP5-11c, UP6-5, UP6-7.5, UP6-10, UP6-15c

REKOMMENDERADE KOMPONENTER

Serviceprodukter	
ccn	Beskrivning
92692284	Ultra coolant 5 L
38459582	Ultra coolant 20 L
92837095	Ultra coolant 1 L
88176367	SATS - <i>ULTRACHECK</i> 1 x PROV
88171913	Element, luftfilter
85565596	Element 4/11 KW 10/15 HP Filter/Torkare F1081 HX
85565588	Element 4/11 KW 10/15 HP Filter/Torkare F1081GX
85565562	Element 5/7.5 HP F711 HX
85565547	Element 5/7.5 HP F711 GX
39329602	Filter, coolant
22388045	Cartridge, separator
22441489	Pushbutton, re-set
22384952	Button, emergency stop
22384929	Indicator (Green)
22401590	Valve, safety 16 BAR (PED)
22431761	Valve, safety 8.8 BAR - AP
22431779	Valve, safety 11 BAR - AP
22431787	Valve, safety 16 BAR - AP
22378665	Valve, safety (ASME)
22359871	Silencer - Valve, blowdown

ccn	Beskrivning
22480313	Säkring Torkare, 60Hz
22480305	Säkring Torkare, 50Hz
81291601	Säkring 0,5 A
22177307	Säkring 0,75 A
39193289	Säkring 1A (Långsam)
32203176	Säkring 1A (Snabb)
22177299	Säkring 1,5A
38342028	Panelfilter, 4-pack för Small UP-serien
23026636	Kit, soupape d'admission, N.C.
23013600	Kit, soupape d'admission, N.O.
22282024	Ventil, termostat
54579248	Ventil, dränering
23012313	Element , Control Air Filter
38450334	Drain Kit
38450367	O Ring Kit

AP - Asien/Stilla havet

UP5-4, UP5-5.5, UP5-7.5, UP5-11c, UP6-5, UP6-7.5, UP6-10, UP6-15c

REKOMMENDERADE KOMPONENTER

ccn	Beskrivning
Startsats	
23352131	Sats - Uppstart
1	Filter, kylmedel
1	Ultra coolant
	1 L

Föreslaget byte - Efter 8000 timmar / 2 år	
22282024	Kassett, termostatventil
38343513	Mätare, remspänning - "Krikit I" (13-68 kg (30-150 pund))
38343521	Mätare, remspänning - "Krikit II" (45-136 kg (100-300 pund))

Underhållssatser - Efter 2000 timmar (Standard)	
23352149	Sats - 2000 timmar (Standard)
92837095	Ultra coolant
	1 L
88171913	Element, luftfilter
39329602	Filter,olja
22388045	Element, separator
22421853	Pré-filtre

Underhållssatser - Efter 8000 timmar (Standard)	
23352164	Sats - 8000 timmar (Standard)
92692284	Ultra coolant
	5 L
88171913	Element, luftfilter
39329602	Filter,olja
22388045	Element, separator
22421853	Pré-filtre

ccn	Beskrivning
Underhållssatser - Efter 2000 timmar (med torkare)	
23360928	Sats - 2000 timmar 5-7.5HP/4-5.5KW (med torkare)
92837095	Ultra coolant
	1 L
88171913	Element, luftfilter
85565547	Élément, remplacement de filtre de GP
85565554	Élément, remplacement de filtre de HE
39329602	Filter,olja
22388045	Element, separator
22421853	Pré-filtre

Underhållssatser - Efter 8000 timmar (med torkare)	
23352172	Sats - 8000 timmar 10-15HP/7.5-11KW (med torkare)
92692284	Ultra coolant
	5 L
88171913	Element, luftfilter
85565588	Élément, remplacement de filtre de GP
85565596	Élément, remplacement de filtre de HE
39329602	Filter,olja
22388045	Element, separator
22421853	Pré-filtre

Underhållssatser - Efter 8000 timmar (med torkare)	
23352180	Sats - 8000 timmar 5-7.5HP/4-5.5KW (med torkare)
92692284	Ultra coolant
	5 L
88171913	Element, luftfilter
85565547	Élément, remplacement de filtre de GP
85565554	Élément, remplacement de filtre de HE
39329602	Filter,olja
22388045	Element, separator
22421853	Pré-filtre

UP5-4, UP5-5.5, UP5-7.5, UP5-11c, UP6-5, UP6-7.5, UP6-10, UP6-15c

Serviceprodukter

ccn	Beskrivelse
92692284	Ultra coolant 5 L
38459582	Ultra coolant 20 L
92837095	Ultra coolant 1 L

88176367	SETT - <i>ULTRACHECK</i> 1 x PRØVE
----------	---------------------------------------

88171913	Element, luftfilter
85565596	Element 4/11 KW 10/15 HP Filter/tørkeenhet F1081 HX
85565588	Element 4/11 KW 10/15 HP Filter/tørkeenhet F1081GX
85565562	Element 5/7.5 HP F711 HX
85565547	Element 5/7.5 HP F711 GX

39329602	Filter, kjølevæske
22388045	Patron, separator
22441489	Knapp, nullstilling
22384952	Knapp, nødstop
22384929	Knapp, nødstop
22401590	Ventil, sikkerhet 16 BAR (PED)
22431761	Ventil, sikkerhet 8,8 BAR - AP
22431779	Ventil, sikkerhet 11 BAR - AP
22431787	Ventil, sikkerhet 16 BAR - AP
22378665	Ventil, sikkerhet (ASME)
22359871	Demper - Ventil, nedblåsing

ccn	Beskrivelse
22480313	Sikring Tørkeenhet, 60 Hz
22480305	Sikring Tørkeenhet, 50 Hz
81291601	Sikring 0,5 A
22177307	Sikring 0,75 A
39193289	Sikring 1A (tidsavbrudd)
32203176	Sikring 1A (ingen tidsavbrudd)
22177299	Sikring 1,5A
38342028	Filter, Panel 4-Pack Small UP Series
23026636	Készlet – befolyószelep, N.C.
23013600	Készlet – befolyószelep, N.O.
22282024	Ventil, temperaturkontroll
54579248	Ventil, drenering

23012313	Element , Control Air Filter
38450334	Drain Kit
38450367	O Ring Kit

AP - Markedet i Asia/stillehavsområdet

ANBEFALTE DELER

ccn	Beskrivelse
Startsett	
23352131	Sett - start
1	Filter, kjølevæske
1	Ultra coolant 1 L

Anbefalt skifte - etter 8000 timer / 2 år	
22282024	Cartridge, thermal valve
38343513	Gauge, belt tension - "Krikitt I" (30-150lb. (13-68 Kg))
38343521	Gauge, belt tension - "Krikitt II" (100-300lb. (45-136 Kg))

Vedlikeholdssett - Hver 2000 time (Standard)	
23352149	Sett - 2000 timer (Standard)
92837095	Ultra coolant 1 L
88171913	Element, luftfilter
39329602	Filter,olje
22388045	Element, separator
22421853	Eløszűrő

Vedlikeholdssett - Hver 8000 time (Standard)	
23352164	Sett - 8000 timer (Standard)
92692284	Ultra coolant 5 L
88171913	Element, luftfilter
39329602	Filter,olje
22388045	Element, separator
22421853	Eløszűrő

ccn	Beskrivelse
Vedlikeholdssett - Hver 2000 time (med tørkeenhet)	
23360928	Sett - 2000 timer 5-7.5HP/4-5.5KW (med tørkeenhet)
92837095	Ultra coolant 1 L
88171913	Element, luftfilter
85565547	Element, GP filter Replacement
85565554	Element HE filter Replacement
39329602	Filter,olje
22388045	Element, separator
22421853	Eløszűrő

Vedlikeholdssett - Hver 8000 time (med tørkeenhet)	
23352172	Sett - 8000 timer 10-15HP/7.5-11KW (med tørkeenhet)
92692284	Ultra coolant 5 L
88171913	Element, luftfilter
85565588	Element, GP filter Replacement
85565596	Element HE filter Replacement
39329602	Filter,olje
22388045	Element, separator
22421853	Eløszűrő

Vedlikeholdssett - Hver 8000 time (med tørkeenhet)	
23352180	Sett - 8000 timer 5-7.5HP/4-5.5KW (med tørkeenhet)
92692284	Ultra coolant 5 L
88171913	Element, luftfilter
85565547	Element, GP filter Replacement
85565554	Element HE filter Replacement
39329602	Filter,olje
22388045	Element, separator
22421853	Eløszűrő

UP5-4, UP5-5.5, UP5-7.5, UP5-11c, UP6-5, UP6-7.5, UP6-10, UP6-15c

Huolto-osat	
ccn	Kuvaus
92692284	Ultra coolant 5 l
38459582	Ultra coolant 20 l
92837095	Ultra coolant 1 l
88176367	SARJA - ULTRACHECK 1 x NÄYTE
88171913	Panos, ilmansuodatin
85565596	Panos 4/11 KW 10/15 HP Suodatin/kuivain F1081 HX
85565588	Panos 4/11 KW 10/15 HP Suodatin/kuivain F1081GX
85565562	Panos 5/7.5 HP F711 HX
85565547	Panos 5/7.5 HP F711 GX
39329602	Suodatin, jäähdytysaine
22388045	Panos, erotin
22441489	Painike, palautus
22384952	Painike, hätäpysäytys
22384929	Ilmainen (vihreä)
22401590	Varoventtiili 16 bar (PED)
22431761	Varoventtiili 8,8 bar - AP
22431779	Varoventtiili 11 bar - AP
22431787	Varoventtiili 16 bar - AP
22378665	Valve, safety (ASME, Amerikan koneinsinööriyhdistys)
22359871	Äänenvaimennin - Venttiili, paineenalennus

ccn	Kuvaus
22480313	Sulake Kuivain, 60 Hzv
22480305	Sulake Kuivain, 50 Hz
81291601	Sulake 0,5 A
22177307	Sulake 0,75 A
39193289	Sulake 1A (viive)
32203176	Sulake 1A (ei viivettä)
22177299	Sulake 1,5A
38342028	Suodatin, neljän paneelisuodattimen pakkaus, Small
23026636	Kit, valvola ingresso, N.C.
23013600	Kit, valvola ingresso, N.O.
22282024	Venttiili, lämpötilanvalvonta
54579248	Venttiili, tyhjennys
23012313	Element , Control Air Filter
38450334	Drain Kit
38450367	O Ring Kit

AP - Aasian ja Tyynenmeren markkina-alue

SUOSITELLUT OSAT

ccn	Kuvaus	
Aloitussarja		
23352131		Aloitussarja
	1	Suodatin, jäähdytysaine
	1	Ultra coolant
		1 l

Suositteltu vaihtoväli - kerran 8 000 tunnissa / 2 vuodessa		
22282024		Panos, lämpöventtiili
38343513		Mitta, hihnan kireys – "Krikit I" (13–68 kg [30–150 lb.])
38343521		Mitta, hihnan kireys – "Krikit II" (45–136 kg. [100–300 lb.])

Huoltosarjat – 2 000 tunnin välein (peruslaite)	
23352149	Huoltosarja – 2 000 tunnin (peruslaite)
92837095	Ultra coolant 1 l
88171913	Panos, ilmansuodatin
39329602	Suodatin, öljy
22388045	Panos, erotin
22421853	Prefiltro

Huoltosarjat – 8 000 tunnin välein (peruslaite)	
23352164	Huoltosarja – 8 000 tunnin (peruslaite)
92692284	Ultra coolant 5 l
88171913	Panos, ilmansuodatin
39329602	Suodatin, öljy
22388045	Panos, erotin
22421853	Prefiltro

ccn	Kuvaus
Huoltosarjat – 2 000 tunnin välein (kuivaajan kanssa)	
23360928	Huoltosarja – 2 000 tunnin 5-7.5HP/4-5.5KW (kuivaajan kanssa)
92837095	Ultra coolant 1 l
88171913	Panos, ilmansuodatin
85565547	Elemento, rimontaggio del filtro dal GP
85565554	Elemento, rimontaggio del filtro dal HE
39329602	Suodatin, öljy
22388045	Panos, erotin
22421853	Prefiltro

Huoltosarjat – 8 000 tunnin välein (kuivaajan kanssa)	
23352172	Huoltosarja – 8 000 tunnin 10-15HP/7.5-11KW (kuivaajan kanssa)
92692284	Ultra coolant 5 l
88171913	Panos, ilmansuodatin
85565588	Elemento, rimontaggio del filtro dal GP
85565596	Elemento, rimontaggio del filtro dal HE
39329602	Suodatin, öljy
22388045	Panos, erotin
22421853	Prefiltro

Huoltosarjat – 8 000 tunnin välein (kuivaajan kanssa)	
23352180	Huoltosarja – 8 000 tunnin 5-7.5HP/4-5.5KW (kuivaajan kanssa)
92692284	Ultra coolant 5 l
88171913	Panos, ilmansuodatin
85565547	Elemento, rimontaggio del filtro dal GP
85565554	Elemento, rimontaggio del filtro dal HE
39329602	Suodatin, öljy
22388045	Panos, erotin
22421853	Prefiltro

UP5-4, UP5-5.5, UP5-7.5, UP5-11c, UP6-5, UP6-7.5, UP6-10, UP6-15c

Ανταλλακτικά επισκευής

ccn	Περιγραφή
92692284	Ultra coolant 5 L
38459582	Ultra coolant 20 L
92837095	Ultra coolant 1 L

88176367	KIT - <i>ULTRACHECK</i> 1 x ΔΕΙΓΜΑ
----------	---------------------------------------

88171913	Στοιχείο, φίλτρου αέρα
85565596	Στοιχείο 4/11 KW 10/15 HP Φίλτρο/Αφυγραντήρας F1081 HX
85565588	Στοιχείο 4/11 KW 10/15 HP Φίλτρο/Αφυγραντήρας F1081GX
85565562	Στοιχείο 5/7.5 HP F711 HX
85565547	Στοιχείο 5/7.5 HP F711 GX

39329602	Φίλτρο, ψυκτικού υγρού
22388045	Φυσίγγιο, διαχωριστή
22441489	Κουμπί εκκίνησης, επαναρρύθμιση
22384952	Κουμπί, διακοπής έκτακτης ανάγκης
22384929	Φωτεινή ένδειξη (Πράσινη)
22401590	Βαλβίδα, ασφαλείας 16 BAR (PED)
22431761	Βαλβίδα, ασφαλείας 8,8 BAR - AP
22431779	Βαλβίδα, ασφαλείας 11 BAR - AP
22431787	Βαλβίδα, ασφαλείας 16 BAR - AP
22378665	Βαλβίδα, ασφαλείας (ASME, Εγκεκριμένη χρήση στις ΗΠΑ)
22359871	Σιγαστήρας - Βαλβίδα, αποσυμπίεσης

ccn	Περιγραφή
22480313	Ασφάλεια Αφυγραντήρα, 60Hz
22480305	Ασφάλεια Αφυγραντήρα, 50Hz
81291601	Ασφάλεια 0,5 A
22177307	Ασφάλεια 0,75 A
39193289	Ασφάλεια 1A (Με χρονική καθυστέρηση)
32203176	Ασφάλεια 1A (Χωρίς χρονική καθυστέρηση)
22177299	Ασφάλεια 1,5A
38342028	Φίλτρο, Συσκευασία τεσσάρων προφίλτρων για τη σειρά Small UP
23026636	Komplektas, Ieigos Vožtuvas, N.C.
23013600	Komplektas, Ieigos Vožtuvas, N.O.
22282024	Βαλβίδα, θερμικού ελέγχου
54579248	Βαλβίδα, αποστράγγισης

23012313	Element , Control Air Filter
38450334	Drain Kit
38450367	O Ring Kit

AP - Για την αγορά Ασίας-Ειρηνικού

ΠΡΟΤΕΙΝΟΜΕΝΑ ΜΕΡΗ

ccn	Περιγραφή
Κιτ εκκίνησης	
23352131	Κιτ εκκίνησης
1	Φίλτρο, ψυκτικού υγρού
1	Ultra coolant 1 L

Προτεινόμενη αλλαγή - Κάθε 8000 ώρες / 2 έτη	
22282024	Φυσίγιο, θερμικής βαλβίδας
38343513	Μετρητής, πίεσης ιμάντα - "Krikkit I" (13-68 Kg (30-150 λίμπρες))
38343521	Μετρητής, πίεσης ιμάντα - "Krikkit II"(45-136 Kg (100-300 λίμπρες))

Κιτ συντήρησης - Κάθε 2000 ώρες (Κανονικά)	
23352149	Κιτ - 2000 ωρών (Κανονικά)
92837095	Ultra coolant 1 L
88171913	Στοιχείο, φίλτρου αέρα
39329602	Φίλτρο, λαδιού
22388045	Στοιχείο, διαχωριστή
22421853	Priešfiltris

Κιτ συντήρησης - Κάθε 8000 ώρες (Κανονικά)	
23352164	Κιτ - 8000 ωρών (Κανονικά)
92692284	Ultra coolant 5 L
88171913	Στοιχείο, φίλτρου αέρα
39329602	Φίλτρο, λαδιού
22388045	Στοιχείο, διαχωριστή
22421853	Priešfiltris

ccn	Περιγραφή
Κιτ συντήρησης - Κάθε 2000 ώρες (Με αφυγραντήρα)	
23360928	Κιτ - 2000 ωρών 5-7.5HP/4-5.5KW (Με αφυγραντήρα)
92837095	Ultra coolant 1 L
88171913	Στοιχείο, φίλτρου αέρα
85565547	Elementai, GP Filtras pakeitimas
85565554	Elementai, HE Filtras pakeitimas
39329602	Φίλτρο, λαδιού
22388045	Στοιχείο, διαχωριστή
22421853	Priešfiltris

Κιτ συντήρησης - Κάθε 8000 ώρες (Με αφυγραντήρα)	
23352172	Κιτ - 8000 ωρών 10-15HP/7.5-11KW (Με αφυγραντήρα)
92692284	Ultra coolant 5 L
88171913	Στοιχείο, φίλτρου αέρα
85565588	Elementai, GP Filtras pakeitimas
85565596	Elementai, HE Filtras pakeitimas
39329602	Φίλτρο, λαδιού
22388045	Στοιχείο, διαχωριστή
22421853	Priešfiltris

Κιτ συντήρησης - Κάθε 8000 ώρες (Με αφυγραντήρα)	
23352180	Κιτ - 8000 ωρών 5-7.5HP/4-5.5KW (Με αφυγραντήρα)
92692284	Ultra coolant 5 L
88171913	Στοιχείο, φίλτρου αέρα
85565547	Elementai, GP Filtras pakeitimas
85565554	Elementai, HE Filtras pakeitimas
39329602	Φίλτρο, λαδιού
22388045	Στοιχείο, διαχωριστή
22421853	Priešfiltris

UP5-4, UP5-5.5, UP5-7.5, UP5-11c, UP6-5, UP6-7.5, UP6-10, UP6-15c

Osanumber		ccn	Kirjeldus
92692284	Ultra coolant 5 l	22480313	Kaitse Kuivati, 60 Hz
38459582	Ultra coolant 20 l	22480305	Kaitse Kuivati, 50 Hz
92837095	Ultra coolant 1 l	81291601	Kaitse 0,5 A
88176367	KOMPLEKT - ULTRACHECK 1 PROOV	22177307	Kaitse 0,75 A
88171913	Öhufiltri element	39193289	Kaitse 1A (viitega)
85565596	Kuivat filtrielement 4/11 KW 10/15 HP Filter/Dryer F1081 HX	32203176	Kaitse 1A (kiirsulav)
85565588	Kuivati filtrielement 4/11 KW 10/15 HP Filter/Dryer F1081GX	22177299	Kaitse 1,5A
85565562	Kuivati filtrielement 5/7.5 HP F711 HX	38342028	Paneelifiltrite komplekt (4 tk), Small UP Series
85565547	Kuivati filtrielement 5/7.5 HP F711 GX	23026636	Komplekts, leplüdes Värsts, N.C.
39329602	Jahutus-määrdevedeliku filter	23013600	Komplekts, leplüdes Värsts, N.O.
22388045	Separaatori kassett	22282024	Termostaatklapp
22441489	Nullimisnupp	54579248	Äravooluventiil
22384952	Avariiseiskamisnupp	23012313	Element , Control Air Filter
22384929	Näidik (roheline)	38450334	Drain Kit
22401590	Kaitseventiil 16 baari (PED)	38450367	O Ring Kit
22431761	Kaitseventiil 8,8 baari – AP	AP – Aasia Vaikse ookeani alade turg	
22431779	Kaitseventiil 11 baari – AP		
22431787	Kaitseventiil 16 baari – AP		
22378665	Kaitseventiil (ASME; Ameerika Mehaanikainseneride Liidu standard)		
22359871	Summuti – läbipuhkeventiil		

UP5-4, UP5-5.5, UP5-7.5, UP5-11c, UP6-5, UP6-7.5, UP6-10, UP6-15c

SOOVITATAVAD OSAD

ccn	Kirjeldus
Stardikomplekt	
23352131	Stardikomplekt
	1 Jahutus-määrdevedeliku filter
	1 Ultra coolant
	1 l

Soovitav vahetusintervall – iga 8000 töötunni või 2 aasta järel	
22282024	Termostaatklapi kassett
38343513	Rihma pinguse mõõteriist – "Krikit I" (13–68 kg (30–150 lb))
38343521	Rihma pinguse mõõteriist – "Krikit II" (45–136 kg (100–300 lb))

Hoolduskomplektid – iga 2000 töötunni järel (Standard)	
23352149	Komplekt – iga 2000 töötunni järel (Standard)
92837095	Ultra coolant
	1 l
88171913	Õhufiltri element
39329602	Õlifilter
22388045	Separaatori element
22421853	Priekšfilter

Hoolduskomplektid – iga 8000 töötunni järel (Standard)	
23352164	Komplekt – iga 8000 töötunni järel (Standard)
92692284	Ultra coolant
	5 l
88171913	Õhufiltri element
39329602	Filter,oil
22388045	Separaatori element
22421853	Priekšfilter

ccn	Kirjeldus
Hoolduskomplektid – iga 2000 töötunni järel (kuivatiga)	
23360928	Komplekt – iga 8000 töötunni järel 5-7.5HP/4-5.5KW (kuivatiga)
92837095	Ultra coolant
	1 l
88171913	Õhufiltri element
85565547	Elementai, GP Filtrs Rezerves
85565554	Elementai, HE Filtrs Rezerves
39329602	Filter,oil
22388045	Separaatori element
22421853	Priekšfilter

Hoolduskomplektid – iga 8000 töötunni järel (kuivatiga)	
23352172	Komplekt – iga 8000 töötunni järel 10-15HP/7.5-11KW (kuivatiga)
92692284	Ultra coolant
	5 l
88171913	Õhufiltri element
85565588	Elementai, GP Filtrs Rezerves
85565596	Elementai, HE Filtrs Rezerves
39329602	Filter,oil
22388045	Separaatori element
22421853	Priekšfilter

Hoolduskomplektid – iga 8000 töötunni järel (kuivatiga)	
23352180	Komplekt – iga 8000 töötunni järel 5-7.5HP/4-5.5KW (kuivatiga)
92692284	Ultra coolant
	5 l
88171913	Õhufiltri element
85565547	Elementai, GP Filtrs Rezerves
85565554	Elementai, HE Filtrs Rezerves
39329602	Filter,oil
22388045	Separaatori element
22421853	Priekšfilter

UP5-4, UP5-5.5, UP5-7.5, UP5-11c, UP6-5, UP6-7.5, UP6-10, UP6-15c

Apkopes detaļas un līdzekļi

ccn	Apraksts
92692284	Ultra coolant 5 l
38459582	Ultra coolant 20 l
92837095	Ultra coolant 1 l

88176367	KOMPLEKTS - <i>ULTRACHECK</i> 1 x PARAUGS
----------	--

88171913	Gaisa filtra filtrējošais elements
85565596	Elements 4/11 KW 10/15 HP Filtrs/žāvētājs F1081 HX
85565588	Elements 4/11 KW 10/15 HP Filtrs/žāvētājs F1081GX
85565562	Elements 5/7.5 HP F711 HX
85565547	Elements 5/7.5 HP F711 GX

39329602	Dzesētājšķidrums filtrs
22388045	Separatora ieliktnis
22441489	Atgriešanas spiedpoga
22384952	Avārijas apturēšanas poga
22384929	Indikators (zaļš)
22401590	Drošības vārsts 16 BAR (PED)
22431761	Drošības vārsts 8,8 BAR — AP
22431779	Drošības vārsts 11 BAR - AP
22431787	Drošības vārsts 16 BAR - AP
22378665	Drošības vārsts (Amerikas inženiermehāniķu apvienība)
22359871	Slāpētājs - Caurpūtes ventilis

ccn	Apraksts
22480313	Kūstošais drošinātājs Žāvētājs, 60 Hz
22480305	Kūstošais drošinātājs Žāvētājs, 50 Hz
81291601	Kūstošais drošinātājs 0,5 A
22177307	Kūstošais drošinātājs 0,75 A
39193289	Kūstošais drošinātājs 1A (Ar laika aizkavi)
32203176	Kūstošais drošinātājs 1A (Bez laika aizkaves)
22177299	Kūstošais drošinātājs 1,5A
38342028	4 komplektu Small UP sērijas paneļa filtrs
23026636	Kit, I-inlet valv., N.C.
23013600	Kit, I-inlet valv., N.O.
22282024	Valve, Thermal Control
54579248	Novadventilis

23012313	Element , Control Air Filter
38450334	Drain Kit
38450367	O Ring Kit

AP — Āzijas un Klusā okeāna reģiona tirgus

IETEICAMĀS REZERVES DAĻAS

ccn	Apraksts	
Palaišanas komplekts		
23352131		Komplekts — palaišana
	1	Dzesētājšķidrums filtrs
	1	Ultra coolant
		1 l

Ieteicamā nomaiņa — ik pēc 8000 stundām/2 gadiem		
22282024		Termiskā ventiļa ieliktnis
38343513		Siksnas spriegojuma mērītājs — "Krikrit I" (13–68 kg (30–150 lb))
38343521		Siksnas spriegojuma mērītājs — "Krikrit II" (45–136 kg (100–300 lb))

Apkopes komplekti — ik pēc 2000 stundām (standarta)		
23352149		Komplekts — 2000 stundas (standarta)
92837095		Ultra coolant
		1 l
88171913		Gaisa filtra filtrējošais elements
39329602		Eļļas filtrs
22388045		Separatora elements
22421853		Pre-Filtru

Apkopes komplekti — ik pēc 8000 stundām (standarta)		
23352164		Komplekts — 8000 stundas (Standard)
92692284		Ultra coolant
		5 l
88171913		Gaisa filtra filtrējošais elements
39329602		Eļļas filtrs
22388045		Separatora elements
22421853		Pre-Filtru

ccn	Apraksts	
Apkopes komplekti — ik pēc 2000 stundām (ar žāvētāju)		
23360928		Komplekts — 2000 stundas 5-7.5HP/4-5.5KW (ar žāvētāju)
92837095		Ultra coolant
		1 l
88171913		Gaisa filtra filtrējošais elements
85565547		Element, GP filter Replacement
85565554		Element HE filter Replacement
39329602		Eļļas filtrs
22388045		Separatora elements
22421853		Pre-Filtru

Apkopes komplekti — ik pēc 8000 stundām (ar žāvētāju)		
23352172		Komplekts — 8000 stundas 10-15HP/7.5-11KW (ar žāvētāju)
92692284		Ultra coolant
		5 l
88171913		Gaisa filtra filtrējošais elements
85565588		Element, GP filter Replacement
85565596		Element HE filter Replacement
39329602		Eļļas filtrs
22388045		Separatora elements
22421853		Pre-Filtru

Apkopes komplekti — ik pēc 8000 stundām (ar žāvētāju)		
23352180		Komplekts — 8000 stundas 5-7.5HP/4-5.5KW (ar žāvētāju)
92692284		Ultra coolant
		5 l
88171913		Gaisa filtra filtrējošais elements
85565547		Element, GP filter Replacement
85565554		Element HE filter Replacement
39329602		Eļļas filtrs
22388045		Separatora elements
22421853		Pre-Filtru

UP5-4, UP5-5.5, UP5-7.5, UP5-11c, UP6-5, UP6-7.5, UP6-10, UP6-15c

REKOMENDUOJAMOS DETALĖS

Paslaugų elementai	
ccn	Aprašas
92692284	Ultra coolant 5 L
38459582	Ultra coolant 20 L
92837095	Ultra coolant 1 L
88176367	KOMPLEKTAS - <i>ULTRACHECK</i> 1 x PAVYZDYS
88171913	Elementas, oro filtras
85565596	Elementas 4/11 KW 10/15 HP Filtru/garintuvas F1081 HX
85565588	Elementas 4/11 KW 10/15 HP Filtru/garintuvas F1081GX
85565562	Elementas 5/7.5 HP F711 HX
85565547	Elementas 5/7.5 HP F711 GX
39329602	Filtru, aušinamasis skystis
22388045	Kasetė, separatorius
22441489	Mygtukas, nustatyti iš naujo
22384952	Mygtukas, avarinis stabdymas
22384929	Indikatorius (žalias)
22401590	Vožtuvas, sauga 16 barų (PED)
22431761	Vožtuvas, sauga 8,8 baro - AP
22431779	Vožtuvas, sauga 11 barų - AP
22431787	Vožtuvas, sauga 16 barų - AP
22378665	Vožtuvas, sauga ASME (Amerikos mechanikos inžinierių organizacija)
22359871	Slopintuvas Vožtuvas, išpūtimas

ccn	Aprašas
22480313	Saugiklis Džiovintuvas, 60Hz
22480305	Saugiklis Džiovintuvas, 50Hz
81291601	Saugiklis 0,5A
22177307	Saugiklis 0,75A
39193289	Saugiklis 1A (Delsos laikas)
32203176	Saugiklis 1A (Delsos laiko nėra)
22177299	Saugiklis 1,5A
38342028	Filtru, „Panel 4-Pack Small UP“ serija
23026636	Set, Inlaatklep, N.C.
23013600	Set, Inlaatklep, N.O.
22282024	Vožtuvas, šiluminis valdiklis
54579248	Vožtuvas, vamzdelis
23012313	Element , Control Air Filter
38450334	Drain Kit
38450367	O Ring Kit

AP - Azijos ir Ramiojo vandenyno šalių rinkta

UP5-4, UP5-5.5, UP5-7.5, UP5-11c, UP6-5, UP6-7.5, UP6-10, UP6-15c

REKOMENDUOJAMOS DETALĖS

ccn	Aprašas	
Paleidimo rinkinys		
23352131		Komplektas – paleidimas
	1	Filtrai, aušinamasis skystis
	1	Ultra coolant
		1 L

Siūloma keisti – kas 8000 valandų / 2 metus		
22282024		Kasetė, šiluminis vožtuvas
38343513		Vožtuvas, diržo įtempimas – „Krikait I“ (30-150 lb. (13-68 Kg))
38343521		Vožtuvas, diržo įtempimas – „Krikait II“ (100-300 lb. (45-136 Kg))

Priežiūros rinkiniai – Kas 2000 valandų (standartinis)		
23352149		Komplektas – 2000 valandų (standartinis)
92837095		Ultra coolant
		1 L
88171913		Elementas, oro filtras
39329602		Filtrai, alyva
22388045		Elementas, separatorius
22421853		Voorfilter

Priežiūros rinkiniai – Kas 8000 valandų (standartinis)		
23352164		Komplektas – 8000 valandų (Standard)
92692284		Ultra coolant
		5 L
88171913		Elementas, oro filtras
39329602		Filtrai, alyva
22388045		Elementas, separatorius
22421853		Voorfilter

ccn	Aprašas	
Priežiūros rinkiniai – Kas 2000 valandų (su džiovintuvu)		
23360928		Komplektas – 2000 valandų 5-7.5HP/4-5.5KW (su džiovintuvu)
92837095		Ultra coolant
		1 L
88171913		Elementas, oro filtras
85565547		Element, GP filtervervanging
85565554		Element, HE filtervervanging
39329602		Filtrai, alyva
22388045		Elementas, separatorius
22421853		Voorfilter

Priežiūros rinkiniai – Kas 8000 valandų (su džiovintuvu)		
23352172		Komplektas – 8000 valandų 10-15HP/7.5-11KW (su džiovintuvu)
92692284		Ultra coolant
		5 L
88171913		Elementas, oro filtras
85565588		Element, GP filtervervanging
85565596		Element, HE filtervervanging
39329602		Filtrai, alyva
22388045		Elementas, separatorius
22421853		Voorfilter

Priežiūros rinkiniai – Kas 8000 valandų (su džiovintuvu)		
23352180		Komplektas – 8000 valandų 5-7.5HP/4-5.5KW (su džiovintuvu)
92692284		Ultra coolant
		5 L
88171913		Elementas, oro filtras
85565547		Element, GP filtervervanging
85565554		Element, HE filtervervanging
39329602		Filtrai, alyva
22388045		Elementas, separatorius
22421853		Voorfilter

UP5-4, UP5-5.5, UP5-7.5, UP5-11c, UP6-5, UP6-7.5, UP6-10, UP6-15c

Elementy serwisowe

ccn	Opis
92692284	Ultra coolant 5 l
38459582	Ultra coolant 20 l
92837095	Ultra coolant 1 l

88176367	ZESTAW - <i>ULTRACHECK</i> 1 x PRÓBKA
----------	--

88171913	Wkład filtru powietrza
85565596	Wkład 4/11 KW 10/15 HP filtru/osuszacza F1081 HX
85565588	Wkład 4/11 KW 10/15 HP filtru/osuszacza F1081GX
85565562	Wkład 5/7.5 HP F711 HX
85565547	Wkład 5/7.5 HP F711 GX

39329602	Filtr płynu chłodzącego
22388045	Pojemnik odolejacza
22441489	Przycisk resetowania
22384952	Przycisk zatrzymania awaryjnego
22384929	Wskaźnik (zielony)
22401590	Zawór bezpieczeństwa 16 BAR (PED)
22431761	Zawór bezpieczeństwa 8,8 BAR — AP
22431779	Zawór bezpieczeństwa 11 BAR — AP
22431787	Zawór bezpieczeństwa 16 BAR — AP
22378665	Zawór bezpieczeństwa (zgodny z normami ASME)
22359871	Tłumik zaworu wydmuchowego

ccn	Opis
22480313	Bezpiecznik osuszacza 60 Hz
22480305	Bezpiecznik osuszacza 50 Hz
81291601	Bezpiecznik osuszacza 0,5 A
22177307	Bezpiecznik osuszacza 0,75 A
39193289	Bezpiecznik osuszacza 1A (opóźnienie)
32203176	Bezpiecznik osuszacza 1A (bez opóźnienia)
22177299	Bezpiecznik osuszacza 1,5 A
38342028	Filtry do panelu urządzeń serii Small UP, 4 szt. w opakowaniu
23026636	Kit , válvula de admisão, N.C.
23013600	Kit, válvula de admisão, N.O.
22282024	Zawór sterowania termicznego
54579248	Zawór spustowy

23012313	Element , Control Air Filter
38450334	Drain Kit
38450367	O Ring Kit

AP — Rynek Azji i Pacyfiku

ZALECANE CZĘŚCI

ccn	Opis	
Zestaw rozruchowy		
23352131		Zestaw rozruchowy
	1	Filtr płynu chłodzącego
	1	Ultra coolant
		1 l

Zalecana wymiana co 8000 godzin/2 lata		
22282024		Pojemnik zaworu termicznego
38343513		Miernik napięcia paska — „Krikrit I” (30–150 lb. (13–68 kg))
38343521		Miernik napięcia paska — „Krikrit II” (100–300 lb. (45–136 kg))

Zestawy do konserwacji — co 2000 godzin (standardowo)		
23352149		Zestaw — 2000 godzin (standardowo)
92837095		Ultra coolant
		1 l
88171913		Wkład filtru powietrza
39329602		Filtr oleju
22388045		Wkład odolejacza
22421853		Forfilter

Zestawy do konserwacji — co 8000 godzin (standardowo)		
23352164		Zestaw — 8000 godzin (standardowo)
92692284		Ultra coolant
		5 l
88171913		Wkład filtru powietrza
39329602		Filtr oleju
22388045		Wkład odolejacza
22421853		Forfilter

ccn	Opis
Zestawy do konserwacji — co 2000 godzin (z osuszaczem)	
23360928	Zestaw — 2000 godzin 5-7.5HP/4-5.5KW (z osuszaczem)
92837095	Ultra coolant
	1 l
88171913	Wkład filtru powietrza
85565547	Grunnstoff, Filteret GP Lyspære
85565554	Grunnstoff, Filteret HE Lyspære
39329602	Filtr oleju
22388045	Wkład odolejacza
22421853	Forfilter

Zestawy do konserwacji — co 8000 godzin (z osuszaczem)		
23352172		Zestaw — 8000 godzin 10-15HP/7.5-11KW (z osuszaczem)
92692284		Ultra coolant
		5 l
88171913		Wkład filtru powietrza
85565588		Grunnstoff, Filteret GP Lyspære
85565596		Grunnstoff, Filteret HE Lyspære
39329602		Filtr oleju
22388045		Wkład odolejacza
22421853		Forfilter

Zestawy do konserwacji — co 8000 godzin (z osuszaczem)		
23352180		Zestaw — 8000 godzin 5-7.5HP/4-5.5KW (z osuszaczem)
92692284		Ultra coolant
		5 l
88171913		Wkład filtru powietrza
85565547		Grunnstoff, Filteret GP Lyspære
85565554		Grunnstoff, Filteret HE Lyspære
39329602		Filtr oleju
22388045		Wkład odolejacza
22421853		Forfilter

UP5-4, UP5-5.5, UP5-7.5, UP5-11c, UP6-5, UP6-7.5, UP6-10, UP6-15c

Servisné položky

ccn	Popis
92692284	Ultra coolant 5 litrov
38459582	Ultra coolant 20 litrov
92837095	Ultra coolant 1 litrov

88176367	SADA - <i>ULTRACHECK</i> 1x VZORKA
----------	---------------------------------------

88171913	Vložka, vzduchový filter
85565596	Vložka 4/11 KW 10/15 HP Filter/sušička F1081 HX
85565588	Vložka 4/11 KW 10/15 HP Filter/sušička F1081GX
85565562	Vložka 5/7.5 HP F711 HX
85565547	Vložka 5/7.5 HP F711 GX

39329602	Filter, chladiaca zmes
22388045	Kazeta, odlučovač
22441489	Tlačidlo, reset
22384952	Tlačidlo, núdzové zastavenie
22384929	Indikátor (zelený)
22401590	Ventil, bezpečnostný 16 BAR (PED)
22431761	Ventil, bezpečnostný 8,8 BAR – AP
22431779	Ventil, bezpečnostný 11 BAR - AP
22431787	Ventil, bezpečnostný 16 BAR - AP
22378665	Ventil, bezpečnostný (ASME)
22359871	Tlmič – ventil, pretlakový

ccn	Popis
22480313	Poistka Sušička, 60 Hz
22480305	Poistka Sušička, 50 Hz
81291601	Poistka 0,5 A
22177307	Poistka 0,75 A
39193289	Poistka 1A (oneskorenie)
32203176	Poistka 1A (bez oneskorenia)
22177299	Poistka 1,5 A
38342028	Filter, panel, 4 balenia série Small UP
23026636	Przybory, Zatkanyzawór, N.C.
23013600	Przybory, Zatkanyzawór, N.O.
22282024	Ventil, teplotné ovládanie
54579248	Ventil, vypúšťací

23012313	Element , Control Air Filter
38450334	Drain Kit
38450367	O Ring Kit

AP – trh v Ázii a Tichomorí

ODPORÚČANÉ SÚČASTI

ccn	Popis
Sada pre spustenie	
23352131	Sada – spustenie
1	Filter, chladiaca zmes
1	Ultra coolant
	1 litrov

Navrhovaná výmena – každých 8 000 hodín/2 roky	
22282024	Kazeta, teplotný ventil
38343513	Merač, vôľa remeňa – „Krikít I“ (30 – 150 lb. (13 – 68 kg))
38343521	Merač, vôľa remeňa – „Krikít II“ (100 – 300 lb. (45 – 136 kg))

Sady pre údržbu – každých 2 000 hodín (štandardne)	
23352149	Sada – 2 000 hodín (štandardne)
92837095	Ultra coolant 1 litrov
88171913	Vložka vzduchového filtra
39329602	Filter, olejový
22388045	Vložka, odlučovač
22421853	Pra- Filtr

Sady pre údržbu – každých 8 000 hodín (štandardne)	
23352164	Sada – 8 000 hodín (štandardne)
92692284	Ultra coolant 5 litrov
88171913	Vložka vzduchového filtra
39329602	Filter, olejový
22388045	Vložka, odlučovač
22421853	Pra- Filtr

ccn	Popis
Sady pre údržbu – každých 2 000 hodín (so sušičkou)	
23360928	Sada – 2 000 hodín 5-7.5HP/4-5.5KW (so sušičkou)
92837095	Ultra coolant 1 litrov
88171913	Vložka vzduchového filtra
85565547	Element, GP filter Replacement
85565554	Element HE filter Replacement
39329602	Filter, olejový
22388045	Vložka, odlučovač
22421853	Pra- Filtr

Sady pre údržbu – každých 8 000 hodín (so sušičkou)	
23352172	Sada – 8 000 hodín 10-15HP/7.5-11KW (so sušičkou)
92692284	Ultra coolant 5 litrov
88171913	Vložka vzduchového filtra
85565588	Element, GP filter Replacement
85565596	Element HE filter Replacement
39329602	Filter, olejový
22388045	Vložka, odlučovač
22421853	Pra- Filtr

Sady pre údržbu – každých 8 000 hodín (so sušičkou)	
23352180	Sada – 8 000 hodín 5-7.5HP/4-5.5KW (so sušičkou)
92692284	Ultra coolant 5 litrov
88171913	Vložka vzduchového filtra
85565547	Element, GP filter Replacement
85565554	Element HE filter Replacement
39329602	Filter, olejový
22388045	Vložka, odlučovač
22421853	Pra- Filtr

UP5-4, UP5-5.5, UP5-7.5, UP5-11c, UP6-5, UP6-7.5, UP6-10, UP6-15c

Servisní položky

ccn	Popis
92692284	Ultra coolant 5 l
38459582	Ultra coolant 20 l
92837095	Ultra coolant 1 l

88176367	SADA - <i>ULTRACHECK</i> 1 x VZOREK
----------	--

88171913	Vložka vzduchového filtru
85565596	Vložka 4/11 KW 10/15 HP Filtr/Sušička F1081 HX
85565588	Vložka 4/11 KW 10/15 HP Filtr/Sušička F1081GX
85565562	Vložka 5/7.5 HP F711 HX
85565547	Vložka 5/7.5 HP F711 GX

39329602	Filtr chladiva
22388045	Kazeta, odlučovač
22441489	Tlačítko, reset
22384952	Tlačítko, nouzové zastavení
22384929	Indikátor (zelený)
22401590	Ventil, bezpečnostní 16 BAR (PED)
22431761	Ventil, bezpečnostní 8,8 BAR – AP
22431779	Ventil, bezpečnostní 11 BAR - AP
22431787	Ventil, bezpečnostní 16 BAR - AP
22378665	Ventil, bezpečnostní (podle předpisů ASME)
22359871	Tlumič – ventil, vypouštěcí

ccn	Popis
22480313	Pojistka sušička, 60 Hz
22480305	Pojistka sušička, 50 Hz
81291601	Pojistka 0,5 A
22177307	Pojistka 0,75 A
39193289	Pojistka 1A (časové zpoždění)
32203176	Pojistka 1A (bez časového zpoždění)
22177299	Pojistka 1,5 A
38342028	Filtr, panel 4 balení, řada Small UP
23026636	Kit, válvula de admisão, N.C.
23013600	Kit, válvula de admisão, N.O.
22282024	Ventil, teplotně řízený
54579248	Vypouštěcí ventil

23012313	Element , Control Air Filter
38450334	Drain Kit
38450367	O Ring Kit

AP – trh v Asii a Tichomoří

DOPORUČENÉ SOUČÁSTI

ccn	Popis
Sada pro spuštění	
23352131	Sada – pro spuštění
1	Filtr chladiva
1	Ultra coolant
	1 l

Doporučená výměna – každých 8 000 hodin / každé 2 roky	
22282024	Kazeta, teplotní ventil
38343513	Měřidlo, napnutí řemene – „Krikít I“ (30 – 150 lb. (13 – 68 kg))
38343521	Měřidlo, napnutí řemene – „Krikít II“ (100 – 300 lb. (45 – 136 kg))

Sady pro údržbu – každých 2 000 hodin (Standard)	
23352149	Sada – 2 000 hodin (Standard)
92837095	Ultra coolant 1 l
88171913	Vložka vzduchového filtru
39329602	Olejevý filtr
22388045	Vložka odlučovače
22421853	Pré-filtro

Sady pro údržbu – každých 8 000 hodin (Standard)	
23352164	Sada – 8 000 hodin (Standard)
92692284	Ultra coolant 5 l
88171913	Vložka vzduchového filtru
39329602	Olejevý filtr
22388045	Vložka odlučovače
22421853	Pré-filtro

ccn	Popis
Sady pro údržbu – každých 2 000 hodin (Standard) (se sušičkou)	
23360928	Sada – 2 000 hodin 5-7.5HP/4-5.5KW (se sušičkou)
92837095	Ultra coolant 1 l
88171913	Vložka vzduchového filtru
85565547	Elemento, Recolocação do filtro do GP
85565554	Elemento, Recolocação do filtro do HE
39329602	Olejevý filtr
22388045	Vložka odlučovače
22421853	Pré-filtro

Sady pro údržbu – každých 8 000 hodin (Standard) (se sušičkou)	
23352172	Sada – 8 000 hodin 10-15HP/7.5-11KW (se sušičkou)
92692284	Ultra coolant 5 l
88171913	Vložka vzduchového filtru
85565588	Elemento, Recolocação do filtro do GP
85565596	Elemento, Recolocação do filtro do HE
39329602	Olejevý filtr
22388045	Vložka odlučovače
22421853	Pré-filtro

Sady pro údržbu – každých 8 000 hodin (Standard) (se sušičkou)	
23352180	Sada – 8 000 hodin 5-7.5HP/4-5.5KW (se sušičkou)
92692284	Ultra coolant 5 l
88171913	Vložka vzduchového filtru
85565547	Elemento, Recolocação do filtro do GP
85565554	Elemento, Recolocação do filtro do HE
39329602	Olejevý filtr
22388045	Vložka odlučovače
22421853	Pré-filtro

UP5-4, UP5-5.5, UP5-7.5, UP5-11c, UP6-5, UP6-7.5, UP6-10, UP6-15c

Servisni elementi

ccn	Opis
92692284	Ultra coolant 5 l
38459582	Ultra coolant 20 l
92837095	Ultra coolant 1 l

88176367	KOMPLET - <i>ULTRACHECK</i> VZOREC, 1 x
----------	--

88171913	Element, zračni filter
85565596	Element 4/11 KW 10/15 HP filtra/sušilnika F1081 HX
85565588	Element 4/11 KW 10/15 HP filtra/sušilnika F1081GX
85565562	Element 5/7.5 HP F711 HX
85565547	Element 5/7.5 HP F711 GX

39329602	Filter, za hladilno sredstvo
22388045	Vložek, separator
22441489	Tipka, ponastavitev
22384952	Gumb, zaustavitev v sili
22384929	Indikator (zelene barve)
22401590	Ventil, varnostni 16 barov (PED)
22431761	Ventil, varnostni 8,8 bara – AP
22431779	Ventil, varnostni 11 barov – AP
22431787	Ventil, varnostni 16 barov – AP
22378665	Ventil, varnostni (ASME - Ameriško združenje strojnih inženirjev)
22359871	Dušilec – ventil, razbremenilni

ccn	Opis
22480313	Varovalka Sušilnik, 60 Hz
22480305	Varovalka Sušilnik, 50 Hz
81291601	Varovalka 0,5 A
22177307	Varovalka 0,75 A
39193289	Varovalka 1A (z zakasnitvijo)
32203176	Varovalka 1A (brez zakasnitve)
22177299	Varovalka 1,5 A
38342028	Filter, štiridelni panelni serije Small UP
23026636	Sada, nasávací ventil, N.C.
23013600	Sada, nasávací ventil, N.O.
22282024	Ventil, termična kontrola
54579248	Ventil, za izpust

23012313	Element , Control Air Filter
38450334	Drain Kit
38450367	O Ring Kit

AP – trg Pacifiške Azije

PRIPOROČENI DELI

ccn	Opis	
Komplet za zagon		
23352131		Komplet – za zagon
	1	Filter, za hladilno sredstvo
	1	Ultra coolant 1 l

Priporočljiva menjava – na 8.000 ur oziroma na dve leti.		
22282024		Vložek, termični ventil
38343513		Merilnik, napetost jermena – “Krikrit I” (30–150 lb (13–68 kg))
38343521		Merilnik, napetost jermena – “Krikrit II” (100–300 lb (45–136 kg))

Kompleti za vzdrževanje – na 2.000 ur (standardno)		
23352149		Komplet – na 2.000 ur (standardno)
92837095		Ultra coolant 1 l
88171913		Element, zračni filter
39329602		Filter, oljni
22388045		Element, separator
22421853		Filter nasávaného vzduchu

Kompleti za vzdrževanje – na 8.000 ur (standardno)		
23352164		Komplet – na 8.000 ur (standardno)
92692284		Ultra coolant 5 l
88171913		Element, zračni filter
39329602		Filter, oljni
22388045		Element, separator
22421853		Filter nasávaného vzduchu

ccn	Opis
Kompleti za vzdrževanje – na 2.000 ur (s sušilnikom)	
23360928	Komplet – na 2.000 ur 5-7.5HP/4-5.5KW (s sušilnikom)
92837095	Ultra coolant 1 l
88171913	Element, zračni filter
85565547	Element, GP filter Replacement
85565554	Element HE filter Replacement
39329602	Filter, oljni
22388045	Element, separator
22421853	Filter nasávaného vzduchu

Kompleti za vzdrževanje – na 8.000 ur (s sušilnikom)		
23352172		Komplet – na 8.000 ur 10-15HP/7.5-11KW (s sušilnikom)
92692284		Ultra coolant 5 l
88171913		Element, zračni filter
85565588		Element, GP filter Replacement
85565596		Element HE filter Replacement
39329602		Filter, oljni
22388045		Element, separator
22421853		Filter nasávaného vzduchu

Kompleti za vzdrževanje – na 8.000 ur (s sušilnikom)		
23352180		Komplet – na 8.000 ur 5-7.5HP/4-5.5KW (s sušilnikom)
92692284		Ultra coolant 5 l
88171913		Element, zračni filter
85565547		Element, GP filter Replacement
85565554		Element HE filter Replacement
39329602		Filter, oljni
22388045		Element, separator
22421853		Filter nasávaného vzduchu

UP5-4, UP5-5.5, UP5-7.5, UP5-11c, UP6-5, UP6-7.5, UP6-10, UP6-15c

Szervizelemek

ccn	Leírás
92692284	Ultra coolant 5 l
38459582	Ultra coolant 20 l
92837095	Ultra coolant 1 l

88176367	KÉSZLET - <i>ULTRACHECK</i> 1 x MINTA
----------	--

88171913	Elem, légszűrő
85565596	Elem 4/11 KW 10/15 HP Szűrő/szárító F1081 HX
85565588	Elem 4/11 KW 10/15 HP Szűrő/szárító F1081GX
85565562	Elem 5/7.5 HP F711 HX
85565547	Elem 5/7.5 HP F711 GX

39329602	Szűrő, hűtőfolyadék
22388045	Kazetta, leválasztó
22441489	Nyomógomb, alaphelyzet
22384952	Gomb, vészleállító
22384929	Jelző (zöld)
22401590	Szelep, biztonsági 16 BAR (PED)
22431761	Szelep, biztonsági 8,8 BAR - AP
22431779	Szelep, biztonsági 11 BAR - AP
22431787	Szelep, biztonsági 16 BAR - AP
22378665	Szelep, biztonsági (ASME)
22359871	Dob - Szelep, leeresztő

ccn	Leírás
22480313	Biztosíték Szárító, 60 Hz
22480305	Biztosíték Szárító, 50 Hz
81291601	Biztosíték 0,5 A
22177307	Biztosíték 0,75 A
39193289	Biztosíték 1A (Késleltetési idő)
32203176	Biztosíték 1A (Nincs késleltetési idő)
22177299	Biztosíték 1,5 A
38342028	Szűrő, panel 4-es csomag Small UP sorozat
23026636	Komplet – vhodni ventil, N.C.
23013600	Komplet – vhodni ventil, N.O.
22282024	Szelep, hőszabályozó
54579248	Szelep, leeresztő

23012313	Element , Control Air Filter
38450334	Drain Kit
38450367	O Ring Kit

AP - ázsiai és csendes-óceáni piac

AJÁNLOTT ALKATRÉSZEK

ccn	Leírás
Indítókészlet	
23352131	Készlet - indító
1	Szűrő, hűtőfolyadék
1	Ultra coolant
	1 l

Javasolt a csere - 8000 óránként/2 évente	
22282024	Kazetta, hőszelap
38343513	Mérő, szíjfeszesség - „Krikít I” (30–150 lb (13–68 kg))
38343521	Mérő, szíjfeszesség - „Krikít II” (100–300 lb (45–136 kg))

Karbantartó készletek - 2000 óránként (standard)	
23352149	Készlet - 2000 óránként (standard)
92837095	Ultra coolant
	1 l
88171913	Elem, légszűrő
39329602	Szűrő, olaj
22388045	Leválasztóelem
22421853	Predfilter

Karbantartó készletek - 8000 óránként (standard)	
23352164	Készlet - 8000 óránként (standard)
92692284	Ultra coolant
	5 l
88171913	Elem, légszűrő
39329602	Szűrő, olaj
22388045	Element, separator
22421853	Predfilter

ccn	Leírás
Karbantartó készletek - 2000 óránként (szárítóval)	
23360928	Készlet - 2000 óránként 5-7.5HP/4-5.5KW (szárítóval)
92837095	Ultra coolant
	1 l
88171913	Elem, légszűrő
85565547	Element, GP filter Replacement
85565554	Element HE filter Replacement
39329602	Szűrő, olaj
22388045	Leválasztóelem
22421853	Predfilter

Karbantartó készletek - 8000 óránként (szárítóval)	
23352172	Készlet - 8000 óránként 10-15HP/7.5-11KW (szárítóval)
92692284	Ultra coolant
	5 l
88171913	Elem, légszűrő
85565588	Element, GP filter Replacement
85565596	Element HE filter Replacement
39329602	Szűrő, olaj
22388045	Leválasztóelem
22421853	Predfilter

Karbantartó készletek - 8000 óránként (szárítóval)	
23352180	Készlet - 8000 óránként 5-7.5HP/4-5.5KW (szárítóval)
92692284	Ultra coolant
	5 l
88171913	Elem, légszűrő
85565547	Element, GP filter Replacement
85565554	Element HE filter Replacement
39329602	Szűrő, olaj
22388045	Leválasztóelem
22421853	Predfilter

UP5-4, UP5-5.5, UP5-7.5, UP5-11c, UP6-5, UP6-7.5, UP6-10, UP6-15c

Gjat-tiswija

ccn	Deskrizzjoni
92692284	Ultra coolant 5 L
38459582	Ultra coolant 20 L
92837095	Ultra coolant 1 L

88176367	KIT - <i>ULTRACHECK</i> 1 x KAMPJUN
----------	--

88171913	Element, filtru ta' l-arja
85565596	Element 4/11 KW 10/15 HP Filter/Drajer F1081 HX
85565588	Element 4/11 KW 10/15 HP Filter/Drajer F1081GX
85565562	Element 5/7.5 HP F711 HX
85565547	Element 5/7.5 HP F711 GX

39329602	Filtru, coolant
22388045	Kontenitur, separatur
22441489	Buttuna, reset
22384952	Buttuna, waqfien ta' emer[enja]
22384929	Indikator (A)dar
22401590	Valv, sigurtà 16 BAR (PED)
22431761	Valv, sigurtà 8.8 BAR - AP
22431779	Valv, sigurtà 11 BAR - AP
22431787	Valv, sigurtà 16 BAR - AP
22378665	Valv, sigurtà (ASME)
22359871	Sajlenser - Valv, blowdown

ccn	Deskrizzjoni
22480313	Fjus Drajer, 60Hz
22480305	Fjus Drajer, 50Hz
81291601	Fjus 0.5A
22177307	Fjus 0.75A
39193289	Fjus 1A (Time delay)
32203176	Fjus 1A (Non time delay)
22177299	Fjus 1.5 A
38342028	Filtru, Serje Panel 4-Pack Small UP
23026636	Sats - inloppsventil, N.C.
23013600	Sats - inloppsventil, N.O.
22282024	Valv, Kontroll Termali
54579248	Valv, drejn

23012313	Element , Control Air Filter
38450334	Drain Kit
38450367	O Ring Kit

AP - Is-Suq tal-Pa`ifiku Asjatiku

PARTS RAKKOMANDATI

ccn	Deskrizzjoni	
Kit tal-bidu		
23352131		Kit - Tal-bidu
	1	Filtru, coolant
	1	Ultra coolant 1 L

Bidla ssuġġerita - Kull 8,000 Siegħa/Sentejn		
22282024		Kontenitur, valv termali
38343513		Kejl, tensjoni taċ-ċinga - "Krikrit I" (30-150lb. (13-68Kg))
38343521		Kejl, tensjoni taċ-ċinga - "Krikrit II" (100-300lb. (45-136Kg))

Kits tal-manutenzjoni - Kull 2,000 Siegħa (Standard)		
23352149		Kits tal-manutenzjoni - Kull -2,000 Siegħa (Standard)
92837095		Ultra coolant 1 L
88171913		Element, filtru ta' l-arja
39329602		Filtru, żejt
22388045		Element, separatur
22421853		Förfilter

Kits tal-manutenzjoni - Kull 8,000 Siegħa (Standard)		
23352164		Kits tal-manutenzjoni - Kull -8,000 Siegħa (Standard)
92692284		Ultra coolant 5 L
88171913		Element, filtru ta' l-arja
39329602		Filtru, żejt
22388045		Element, separator
22421853		Förfilter

ccn	Deskrizzjoni
Kits tal-manutenzjoni - Kull 2,000 Siegħa (Bid-drajer)	
23360928	Kits tal-manutenzjoni - Kull -2,000 Siegħa 5-7.5HP/4-5.5KW (Bid-drajer)
92837095	Ultra coolant 1 L
88171913	Element, filtru ta' l-arja
85565547	Element, GP filter Replacement
85565554	Element HE filter Replacement
39329602	Filtru, żejt
22388045	Element, separatur
22421853	Förfilter

Kits tal-manutenzjoni - Kull 8,000 Siegħa (Bid-drajer)	
23352172	Kits tal-manutenzjoni - Kull -8,000 Siegħa 10-15HP/7.5-11KW (Bid-drajer)
92692284	Ultra coolant 5 L
88171913	Element, filtru ta' l-arja
85565588	Element, GP filter Replacement
85565596	Element HE filter Replacement
39329602	Filtru, żejt
22388045	Element, separatur
22421853	Förfilter

Kits tal-manutenzjoni - Kull 8,000 Siegħa (Bid-drajer)	
23352180	Kits tal-manutenzjoni - Kull -8,000 Siegħa 5-7.5HP/4-5.5KW (Bid-drajer)
92692284	Ultra coolant 5 L
88171913	Element, filtru ta' l-arja
85565547	Element, GP filter Replacement
85565554	Element HE filter Replacement
39329602	Filtru, żejt
22388045	Element, separatur
22421853	Förfilter

UP5-4, UP5-5.5, UP5-7.5, UP5-11c, UP6-5, UP6-7.5, UP6-10, UP6-15c

Материалы и детали для технического обслуживания

ссп	Описание
92692284	Ultra coolant 5 л
38459582	Ultra coolant 20 л
92837095	Ultra coolant 1 л

88176367	КОМПЛЕКТ - <i>ULTRACHECK</i> 1 x ПРОБА
----------	---

88171913	Элемент воздушного фильтра
85565596	Элемент 4/11 KW 10/15 HP Фильтр/Осушитель F1081 HX
85565588	Элемент 4/11 KW 10/15 HP Фильтр/Осушитель F1081GX
85565562	Элемент 5/7.5 HP F711 HX
85565547	Элемент 5/7.5 HP F711 GX

39329602	Filter, coolant
22388045	Cartridge, separator
22441489	Pushbutton, re-set
22384952	Button, emergency stop
22384929	Indicator (Green)
22401590	Valve, safety 16 BAR (PED)
22431761	Valve, safety 8.8 BAR - AP
22431779	Valve, safety 11 BAR - AP
22431787	Valve, safety 16 BAR - AP
22378665	Valve, safety (ASME)
22359871	Silencer - Valve, blowdown

ссп	Описание
22480313	Предохранитель Осушитель, 60 Гц
22480305	Предохранитель Осушитель, 50 Гц
81291601	Предохранитель 0,5 А
22177307	Предохранитель 0,75 А
39193289	Предохранитель 1А (с задержкой на срабатывание)
32203176	Предохранитель 1А (быстродействующий)
22177299	Предохранитель 1,5 А
38342028	Фильтр, панель укомплектована 4 элементами серии Small UP
23026636	Набор, Клапан Входа, N.C.
23013600	Набор, Клапан Входа, N.O.
22282024	Клапан терморегулятора
54579248	Сливной вентиль

23012313	Element , Control Air Filter
38450334	Drain Kit
38450367	O Ring Kit

AP - Азиатско-тихоокеанский рынок

РЕКОМЕНДУЕМЫЕ УЗЛЫ

ссн	Описание
Start Up Kit	
23352131	Kit - Start up
1	Filter, coolant
1	Ultra coolant 1 л

Suggested Change - Every 8000 Hours / 2 years	
22282024	Cartridge, thermal valve
38343513	Gauge, belt tension - "Kriket I" (30-150lb. (13-68 Kg))
38343521	Gauge, belt tension - "Kriket II" (100-300lb. (45-136 Kg))

Комплекты для технического обслуживания – для замены через каждые 2000 часов (стандартные)	
23352149	Комплекты для технического обслуживания – через 2000 часов (стандартные)
92837095	Ultra coolant 1 л
88171913	Элемент воздушного фильтра
39329602	Масляный фильтр
22388045	Патрон сепаратора хладагента
22421853	Пред-фильтр

Комплекты для технического обслуживания – для замены через каждые 8000 часов (стандартные)	
23352164	Комплекты для технического обслуживания – через 8000 часов (стандартные)
92692284	Ultra coolant 5 л
88171913	Элемент воздушного фильтра
39329602	Масляный фильтр
22388045	Патрон сепаратора хладагента
22421853	Пред-фильтр

ссн	Описание
Комплекты для технического обслуживания – для замены через каждые 2000 часов (с осушителями)	
23360928	Комплекты для технического обслуживания – через 2000 часов 5-7.5HP/4-5.5KW (с осушителями)
92837095	Ultra coolant 1 л
88171913	Элемент воздушного фильтра
85565547	Элемент, Замена Фильтра GP
85565554	Элемент, Замена Фильтра HE
39329602	Масляный фильтр
22388045	Патрон сепаратора хладагента
22421853	Пред-фильтр

Комплекты для технического обслуживания – для замены через каждые 8000 часов (с осушителями)	
23352172	Комплекты для технического обслуживания – через 8000 часов 10-15HP/7.5-11KW (с осушителями)
92692284	Ultra coolant 5 л
88171913	Элемент воздушного фильтра
85565588	Элемент, Замена Фильтра GP
85565596	Элемент, Замена Фильтра HE
39329602	Масляный фильтр
22388045	Патрон сепаратора хладагента
22421853	Пред-фильтр

Комплекты для технического обслуживания – для замены через каждые 8000 часов (с осушителями)	
23352180	Комплекты для технического обслуживания – через 8000 часов 5-7.5HP/4-5.5KW (с осушителями)
92692284	Ultra coolant 5 л
88171913	Элемент воздушного фильтра
85565547	Элемент, Замена Фильтра GP
85565554	Элемент, Замена Фильтра HE
39329602	Масляный фильтр
22388045	Патрон сепаратора хладагента
22421853	Пред-фильтр

UP5-4, UP5-5.5, UP5-7.5, UP5-11c, UP6-5, UP6-7.5, UP6-10, UP6-15c

服务项目		ccn	描述
92692284	Ultra coolant 5 升	22480313	保险丝 干燥器, 60 Hz
38459582	Ultra coolant 20 升	22480305	保险丝 干燥器, 50 Hz
92837095	Ultra coolant 1 升	81291601	保险丝 0.5 A
88176367	组件 - <i>ULTRACHECK</i> 1 x 样机	22177307	保险丝 0.75 A
88171913	空气过滤器芯	39193289	保险丝 1A (延时)
85565596	部件 4/11 KW 10/15 HP 过滤器 / 干燥器 F1081 HX	32203176	保险丝 1A (非延时)
85565588	部件 4/11 KW 10/15 HP 过滤器 / 干燥器 F1081GX	22177299	保险丝 1.5A
85565562	部件 5/7.5 HP F711 HX	38342028	4 袋式 Small UP 系列过滤器
85565547	部件 5/7.5 HP F711 GX	23026636	套件, 进口阀, N.C.
39329602	冷却剂过滤器	23013600	套件, 进口阀, N.O.
22388045	分离器芯	22282024	温控阀
22441489	重置按钮	54579248	排水阀
22384952	紧急停机按钮	23012313	Element , Control Air Filter
22384929	指示灯 (绿)	38450334	Drain Kit
22401590	安全阀 16 bar (PED)	38450367	O Ring Kit
22431761	安全阀 8.8 bar - AP		
22431779	安全阀 11 bar - AP		
22431787	安全阀 16 bar - AP		
22378665	安全阀 (美国机械工程师学会)		
22359871	消音器 - 放气阀		

AP - 亚太区市场

推荐的配件

ccn	描述
启动组件	
23352131	启动组件
1	冷却剂过滤器
1	Ultra coolant 1 升

更换建议 - 每 8000 小时 / 2 年	
22282024	温控阀芯
38343513	皮带张力计 - "Krikrit I" (30-150 lb. (13-68 Kg))
38343521	皮带张力计 - "Krikrit II" (100-300 lb. (45-136 Kg))

维护组件 - 每 2000 小时(标准)	
23352149	组件 - 2000 小时 (标准)
92837095	Ultra coolant 1 升
88171913	空气过滤器芯
39329602	油滤器
22388045	分离器芯
22421853	预滤器

维护组件 - 每 8000 小时(标准)	
23352164	组件 - 8000 小时 (标准)
92692284	Ultra coolant 5 升
88171913	空气过滤器芯
39329602	油滤器
22388045	分离器芯
22421853	预滤器

ccn	描述
维护组件 - 每 8000 小时 (带有干燥器)	
23360928	组件 - 8000 小时 5-7.5HP/4-5.5KW (带有干燥器)
92837095	Ultra coolant 1 升
88171913	空气过滤器芯
85565547	元素, GP 过滤器替换
85565554	元素, HE 过滤器替换
39329602	油滤器
22388045	分离器芯
22421853	预滤器

维护组件 - 每 8000 小时 (带有干燥器)	
23352172	组件 - 8000 小时 10-15HP/7.5-11KW (带有干燥器)
92692284	Ultra coolant 5 升
88171913	Element, air filter
85565588	元素, GP 过滤器替换
85565596	元素, HE 过滤器替换
39329602	油滤器
22388045	分离器芯
22421853	预滤器

维护组件 - 每 8000 小时 (带有干燥器)	
23352180	组件 - 8000 小时 5-7.5HP/4-5.5KW (带有干燥器)
92692284	Ultra coolant 5 升
88171913	空气过滤器芯
85565547	元素, GP 过滤器替换
85565554	元素, HE 过滤器替换
39329602	油滤器
22388045	分离器芯
22421853	预滤器

UP5-4, UP5-5.5, UP5-7.5, UP5-11c, UP6-5, UP6-7.5, UP6-10, UP6-15c



A series of horizontal lines spanning the width of the page, intended for writing. The lines are evenly spaced and extend from the left margin to the right edge of the page.

LOOK WHAT INGERSOLL RAND CAN DO FOR YOU!



Efficient Field Service

We maintain a highly trained staff of technicians to service your equipment for preventive maintenance, or to assist you should emergencies ever occur.



Complete Repair Service

Our trained technicians will repair or overhaul your equipment to factory specifications, using only genuine **Ingersoll Rand** parts.



Special Engineering Service

We can help you identify and solve your problems by evaluating your needs and recommending the proper equipment to give your maximum efficiency.



Spare Parts

By stocking genuine **Ingersoll Rand** spare parts, we can help you avoid costly delays or substituting inferior parts. Using genuine **Ingersoll Rand** parts on your **Ingersoll Rand** equipment will help to keep even older equipment running in good-as-new condition.



Complete Stock of Equipment

We carry a complete line of **Ingersoll Rand** equipment and accessories designed to meet any compressed air application. We are backed by **Ingersoll Rand's** prompt factory shipment to ensure you on-time delivery.

A SUBSTITUTE IS NOT A REPLACEMENT!

Ensure you get peak performance and longevity out of your **Ingersoll Rand** product by insisting on genuine **Ingersoll Rand** replacement parts and maintenance kits. Not only are the replacement parts made to precise dimensions and OEM-specified metallurgy, but each part is backed by the **Ingersoll Rand** warranty. Your local Customer Center, Distributor, or direct **Ingersoll Rand** salesperson will work with you to ensure you get the parts you need to do the job right. Equip your machines with only the best **Ingersoll Rand** genuine parts.

NOTE: THE USE OF REPAIR PARTS OTHER THAN THOSE INCLUDED WITHIN THE INGERSOLL RAND COMPANY APPROVED PARTS LIST MAY CREATE UNSAFE CONDITIONS OR MECHANICAL FAILURES OVER WHICH INGERSOLL RAND COMPANY HAS NO CONTROL. INGERSOLL RAND COMPANY SHALL BEAR NO RESPONSIBILITY FOR EQUIPMENT ON WHICH NON-APPROVED REPAIR PARTS ARE INSTALLED.

The manufacturer reserves the right to make changes or add improvements without notice and without incurring any obligation to make such changes to products previously sold.