

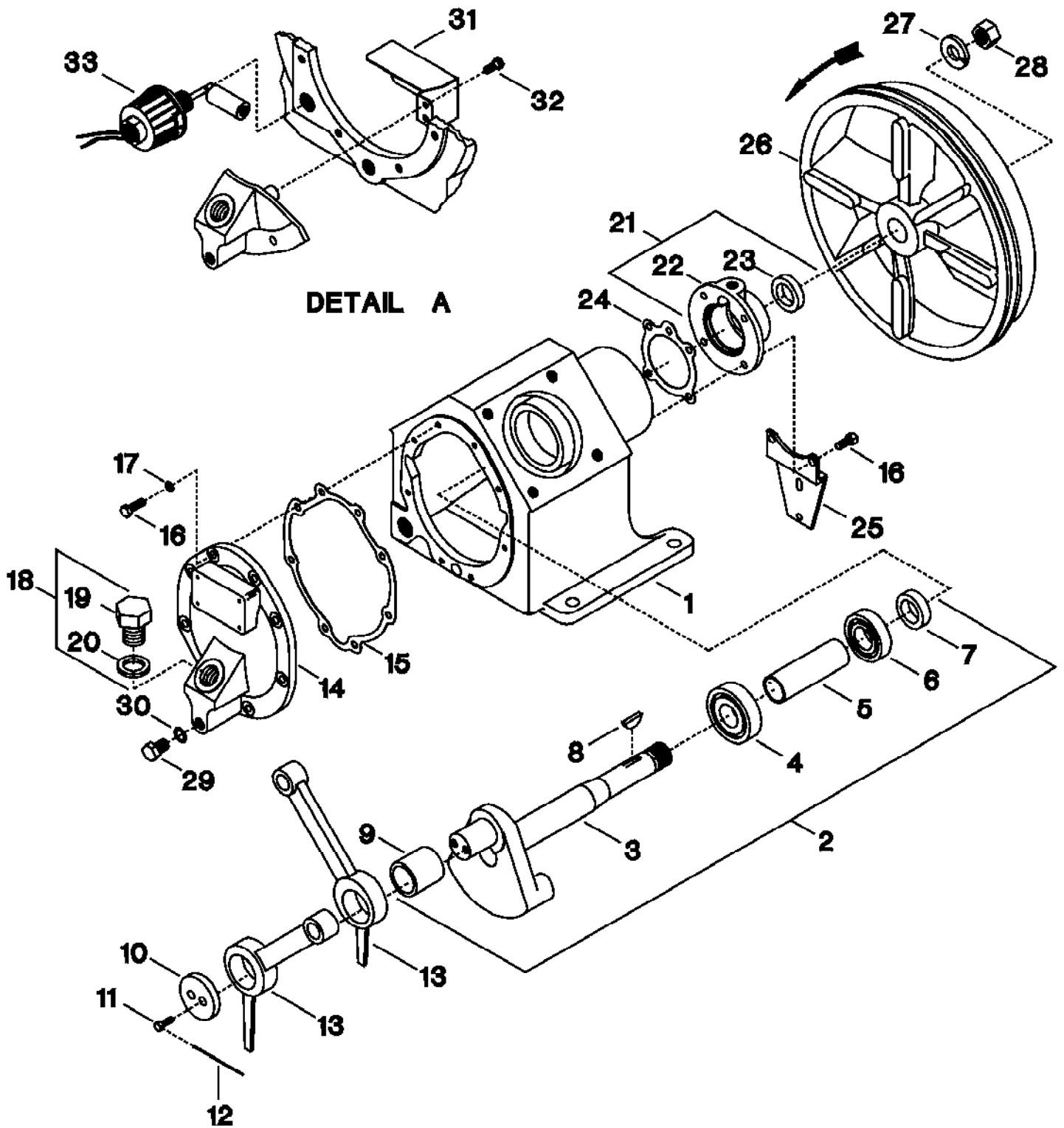
PARTS LIST

MODEL 2475
TWO STAGE
AIR COMPRESSOR



A series of horizontal lines for writing, starting from the top right of the pen icon and extending across the width of the page. The lines are evenly spaced and cover the majority of the page's vertical space, providing a template for text entry.

FIGURE 1. COMPRESSOR FRAME ASSEMBLY. (DIRECTION OF ROTATION ARROW SHOWN IS FOR ELECTRIC DRIVEN PACKAGE BELTWHEELS. GASOLINE ENGINE DRIVEN PACKAGE BELTWHEELS HAVE REVERSE ROTATION.)



REF. NO.	PART NO.	DESCRIPTION	QTY.	SPARES		
				1	2	3
1-1	32247728	FRAME, COMPRESSOR	1			
1-2	32293565	ASSEMBLY, CRANKSHAFT COMPLETE	1			
1-3	NSS	● ASSEMBLY, DISK & SHAFT	1			
1-4	32248122	● BEARING, BALL	1			
1-5	32006496	● SPACER, CRANKSHAFT BEARING	1			
1-6	95213666	● BEARING, BALL WITH SNAP RING	1			
1-7	37127669	● RING, BEARING RETAINER	1			
1-8	95433173	● KEY, WOODRUFF	1			
1-9	30210199	● BUSHING, CRANKPIN	1			
1-10	30210298	CAP, CRANKPIN	1			
1-11	30278667	CAPSCREW - 3/8-16X7/8"	2			
1-12	90799289	LOCKWIRE - 12 GA X 5"	1			
1-13	32004152	ROD, CONNECTING	2			
1-14	32496663	COVER, FRAME END	1			
1-15	32247884	GASKET, FRAME END COVER	1	1	1	2
1-16	95105250	CAPSCREW, HEX - 5/16-18 X 1"	12			
1-17	95674651	GASKET, COPPER WASHER - 5/16"	8			
1-18	32279549	PLUG, OIL FILLER - COMPLETE	1			
1-19	NSS	● PLUG, OIL FILLER	1			
1-20	32247850	● O-RING, OIL FILLER PLUG	1	1	1	2
1-21	97331060	ASSEMBLY, SHAFT END COVER	1			
1-22	NSS	● COVER, SHAFT END	1			
1-23	32499923	● SEAL	1		1	2
1-24	32247876	GASKET, SHAFT END COVER	1	1	1	2
1-25	32157349	BRACKET, INTERCOOLER CLAMP	1			
1-26	32496432	BELTWHEEL - ELECTRIC DRIVE	1			
1-26	32247975	BELTWHEEL - GASOLINE DRIVE	1			
1-27	95081808	● LOCKWASHER, SPRING - 3/4"	1		1	2
1-28	95076816	NUT, HEX	1	1	1	2
1-29	95053526	CAPSCREW, HEX - 1/2-13 X 3/4"	1			
1-30	95674701	GASKET, COPPER	1			
1-31	32295222	BAFFLE, OIL LEVEL SWITCH	1			
1-32	95053070	CAPSCREW	2			
1-33	32276313	SWITCH, LOW OIL LEVEL	1			

FIGURE 2. HIGH PRESSURE VALVE PLATE ASSEMBLY.

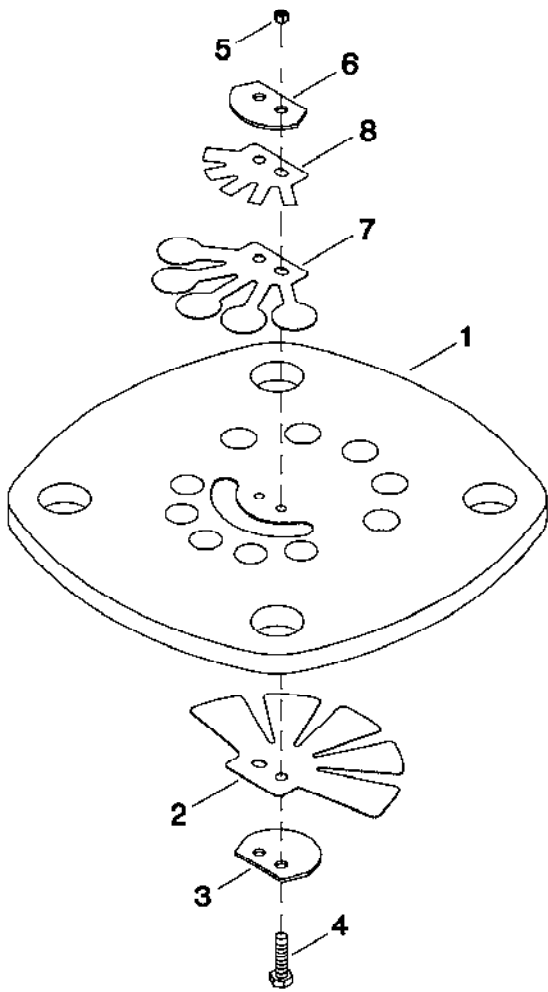
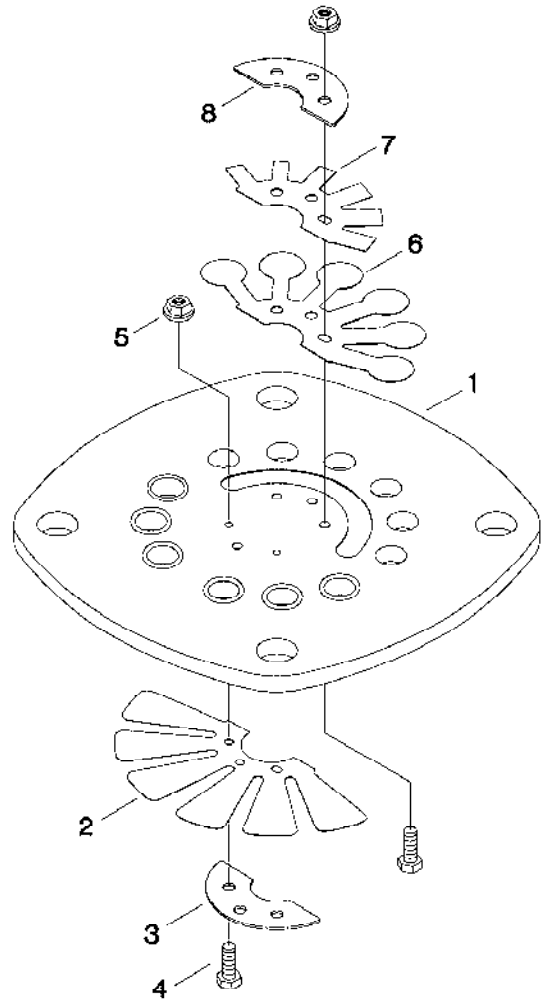


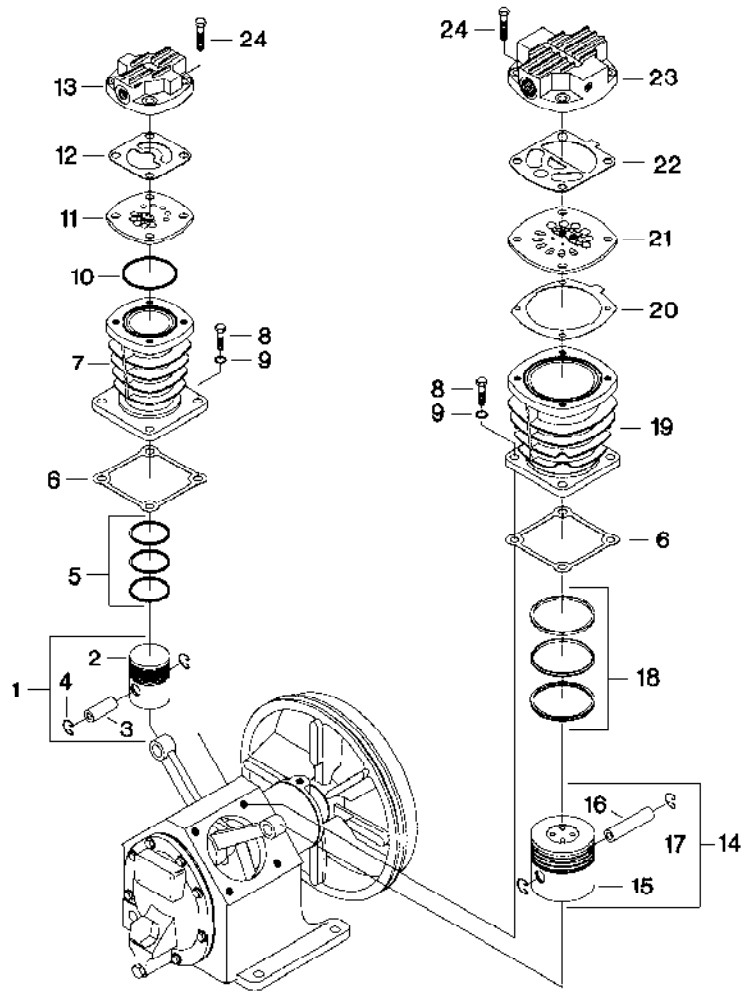
FIGURE 3. LOW PRESSURE VALVE PLATE ASSEMBLY.



REF. NO.	PART NO.	DESCRIPTION	QTY.	SPARES		
				1	2	3
REF.	32310799	ASSEMBLY, VALVE PLATE - HIGH PRESSURE	1		1	1
2-1	NSS	● PLATE, VALVE - HIGH PRESSURE	1			
2-2	32238671	● VALVE, FINGER - INLET	1	1	1	2
2-3	32297343	● RETAINER, VALVE HP	1			
2-4	32297327	● SCREW, HEX HEAD - M3 X 12	2			
2-5	97511059	● NUT, HEX - M3 WITH LOCKWASHER	2			
2-6	32295461	● RETAINER, FINGER VALVE - DISCHARGE	1			
2-7	32241010	● VALVE, FINGER - DISCHARGE	1	1	1	2
2-8	32295479	● VALVE, DAMPER - DISCHARGE	1			

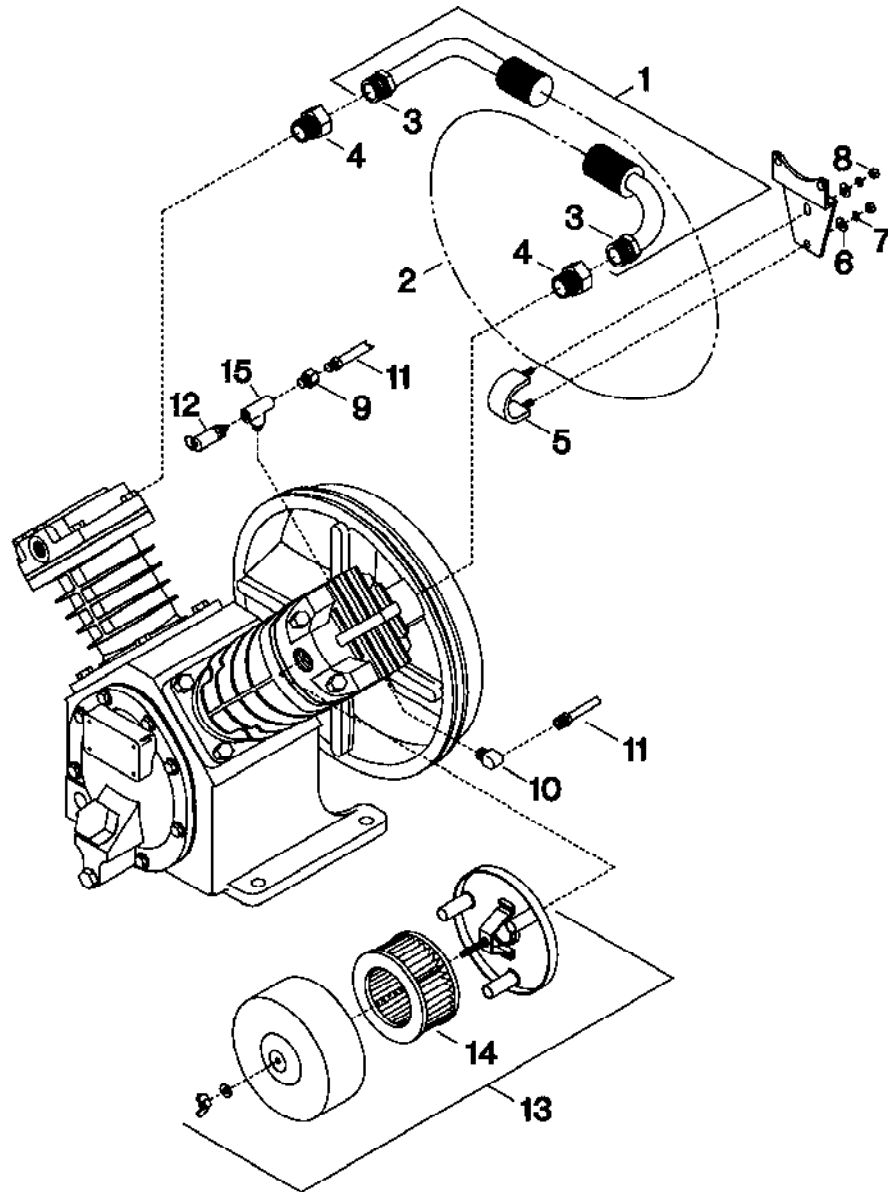
REF. NO.	PART NO.	DESCRIPTION	QTY.	SPARES		
				1	2	3
REF.	32248205	ASSEMBLY, VALVE PLATE	1		1	1
3-1	NSS	● PLATE, VALVE - LOW PRESSURE	1		1	1
3-2	32248130	● VALVE, FINGER - INLET	1	1	1	2
3-3	32248148	● RETAINER, FINGER VALVE - INLET	1			
3-4	32247512	● SCREW, HEX HEAD - M4 X 12	6			
3-5	32248171	● NUT, HEX - M4 WITH LOCKWASHER	6			
3-6	32248155	● VALVE, FINGER - DISCHARGE	1	1	1	2
3-7	32294464	● VALVE, DAMPER - DISCHARGE	1			
3-8	32248163	● VALVE, RETAINER - DISCHARGE	1			

FIGURE 4. MODEL 2475 BARE COMPRESSOR.



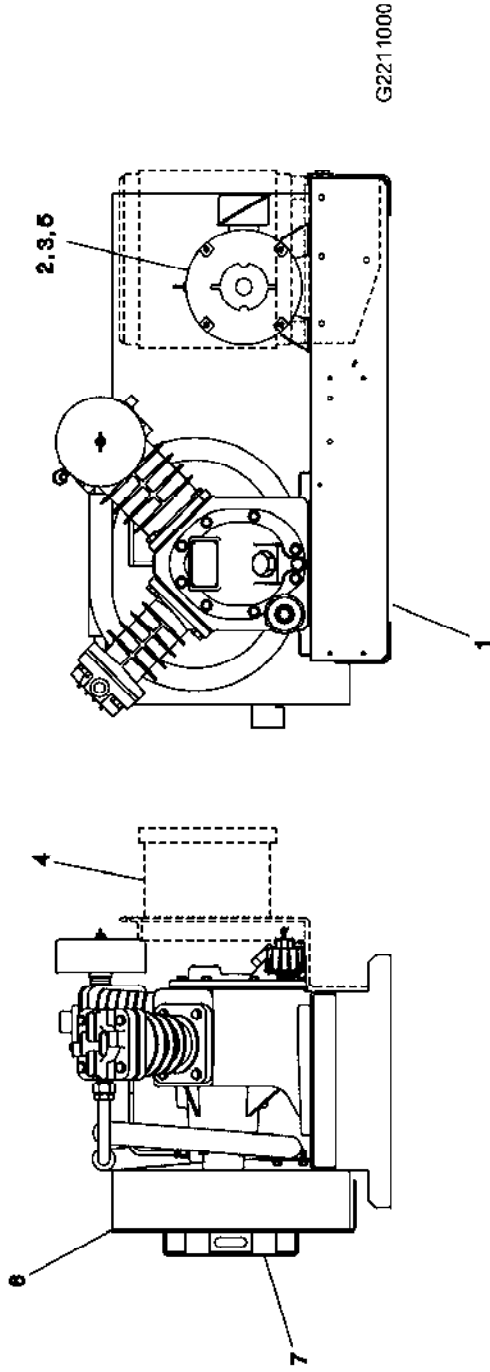
REF. NO.	PART NO.	DESCRIPTION	QTY.	SPARES		
				1	2	3
4-1	32496598	PISTON, AIR - COMPLETE - 2.5" HIGH PRESSURE	1		1	1
4-2	NSS	● PISTON - AIR - 2.5"	1			
4-3	30287783	● PIN, PISTON	1			
4-4	30298020	● RING, LOCK	2			
4-5	32307910	SET, PISTON RING - 2.5"	1	1	1	2
4-6	32247868	GASKET, CYLINDER/FLANGE	2	2	2	4
4-7	32247652	CYLINDER - 2.5" - HIGH PRESSURE	1			
4-8	95053567	CAPSCREW, HEX - 1/2-13 X 1-1/4"	8			
4-9	95674701	GASKET, COPPER - 1/2"	8			
4-10	32246878	O-RING, VALVE PLATE - HIGH PRESSURE	1	1	1	2
4-11	32310799	ASSEMBLY, VALVE PLATE - HIGH PRESSURE (SEE FIGURE 2)	1		1	1
4-12	32247926	GASKET, AIRHEAD - HIGH PRESSURE	1	1	1	2
4-13	32247827	AIRHEAD - HIGH PRESSURE	1			
4-14	32496564	PISTON, AIR - COMPLETE - 4" - LOW PRESSURE	1		1	1
4-15	NSS	● PISTON, AIR - 4"	1			
4-16	30288393	● PIN, PISTON	1			
4-17	30298020	● RING, LOCK	2			
4-18	32307928	SET, PISTON RING - 4"	1	1	1	2
4-19	32293540	CYLINDER, - 4" LOW PRESSURE	1			
4-20	32248197	GASKET, VALVE PLATE - LOW PRESSURE	1	1	1	2
4-21	32248205	ASSEMBLY, VALVE PLATE - LOW PRESSURE (SEE FIGURE 3)	1		1	1
4-22	32248189	GASKET, AIRHEAD - LOW PRESSURE	1	1	1	2
4-23	32293557	AIRHEAD - LOW PRESSURE	1			
4-24	95104188	CAPSCREW, HEX - 1/2-13 X 1-3/4"	8			

FIGURE 5. TYPICAL MODEL 2475 INTERCOOLER ASSEMBLY.



REF. NO.	PART NO.	DESCRIPTION	QTY.	SPARES		
				1	2	3
5-1	32499196	ASSEMBLY, INTERCOOLER	1		1	1
5-2	32499204	● INTERCOOLER	1			
5-3	95108577	● NUT, TUBE - 3/4"	2			
5-4	95083275	CONNECTOR, TUBE	2			
5-5	32247942	CLAMP, INTERCOOLER	1			
5-6	95094298	WASHER, FLAT - 1/4"	2			
5-7	32035479	LOCKWASHER, SPRING - 1/4"	2			
5-8	95416335	NUT, HEX - 1/4-20	2			
5-9	95082483	CONNECTOR, TUBE	1			
5-10	95031860	ELBOW, TUBE	1			
5-11	32247892	ASSEMBLY, TUBE - BREATHER	1			
5-12	72062185	VALVE, RELIEF - 80 PSIG	1			
5-13	32170953	FILTER, INLET - COMPLETE	1		1	2
5-14	32170979	● ELEMENT, FILTER - 10 MICRON	1	1	1	1
5-15	32221228	TEE, MALE	1			

FIGURE 6. TYPICAL BASEPLATE MOUNTED ELECTRIC PACKAGES.



REF. NO.	PART NUMBER	DESCRIPTION	QTY.
	2475X5		
6-1	32195224	ASSEMBLY, SUBBASE	1
6-2	32035857 **	MOTOR, ELECTRIC — 5HP 230/460-3-60	1
6-3	32281768 **	PULLEY, MOTOR	1
6-4	32498903 **	STARTER (IF SUPPLIED) — 230-3-60	1
6-5	95099511 **	BELT, DRIVE — A70	1
6-6	REF.	BELTGUARD — SHEET METAL TYPE (SEE FIG. 11, PG. 18)	1
6-6	REF.	BELTGUARD — WIRE TYPE (SEE FIG. 10, PG. 16)	1
6-7	REF.	AFTERCooler, AIR COOLED (SEE FIG. 11, PG. 18)	1

** = PART NUMBER VARIES. SUPPLY MODEL NUMBER, SERIAL NUMBER AND COMPLETE MOTOR NAMEPLATE DATA WHEN ORDERING.

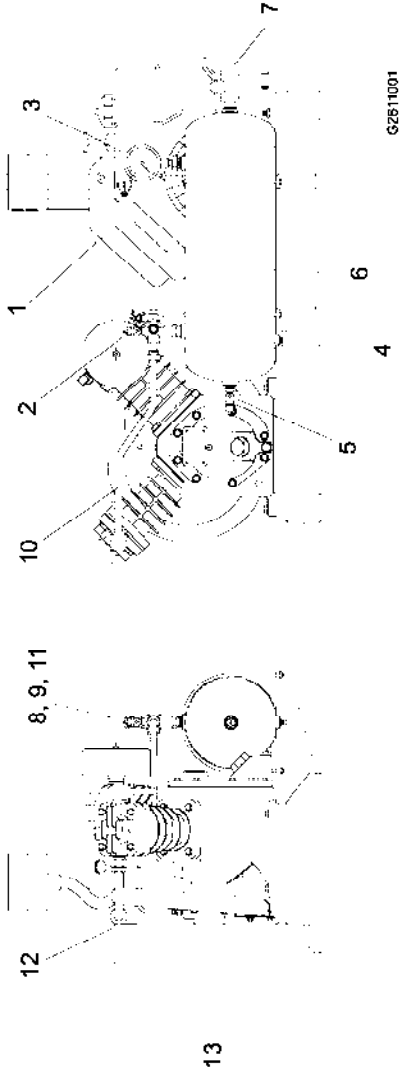
REF. = REFERENCE PAGE NUMBER(S) GIVEN IN DESCRIPTION COLUMN.

HP = HORSEPOWER

NOTE: AIR COOLED AFTERCooler CANNOT BE MOUNTED ON WIRE BELTGUARD.

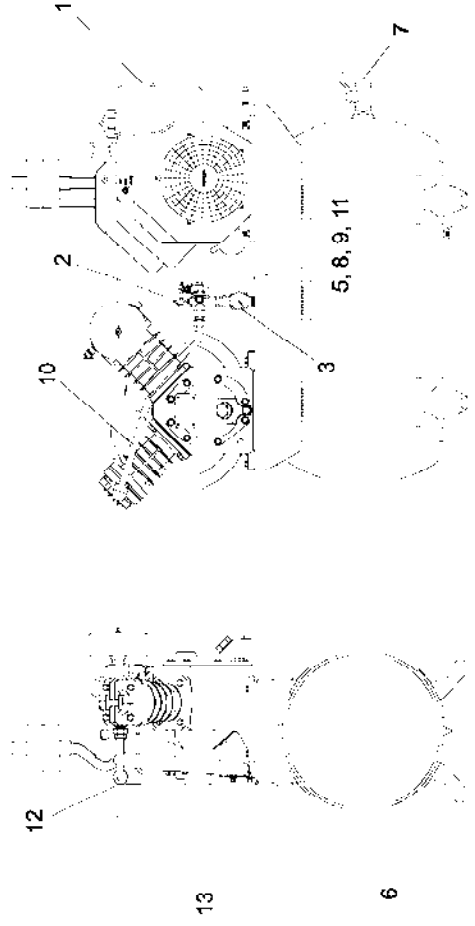
FIGURE 7. TYPICAL GASOLINE ENGINE PACKAGES.
Kohler engine driven packages illustrated. Honda and Kawasaki engine driven packages also available.

**Typical Baseplate Mounted
Gasoline Package**



G2511001

**Typical Receiver Mounted
Gasoline Package**

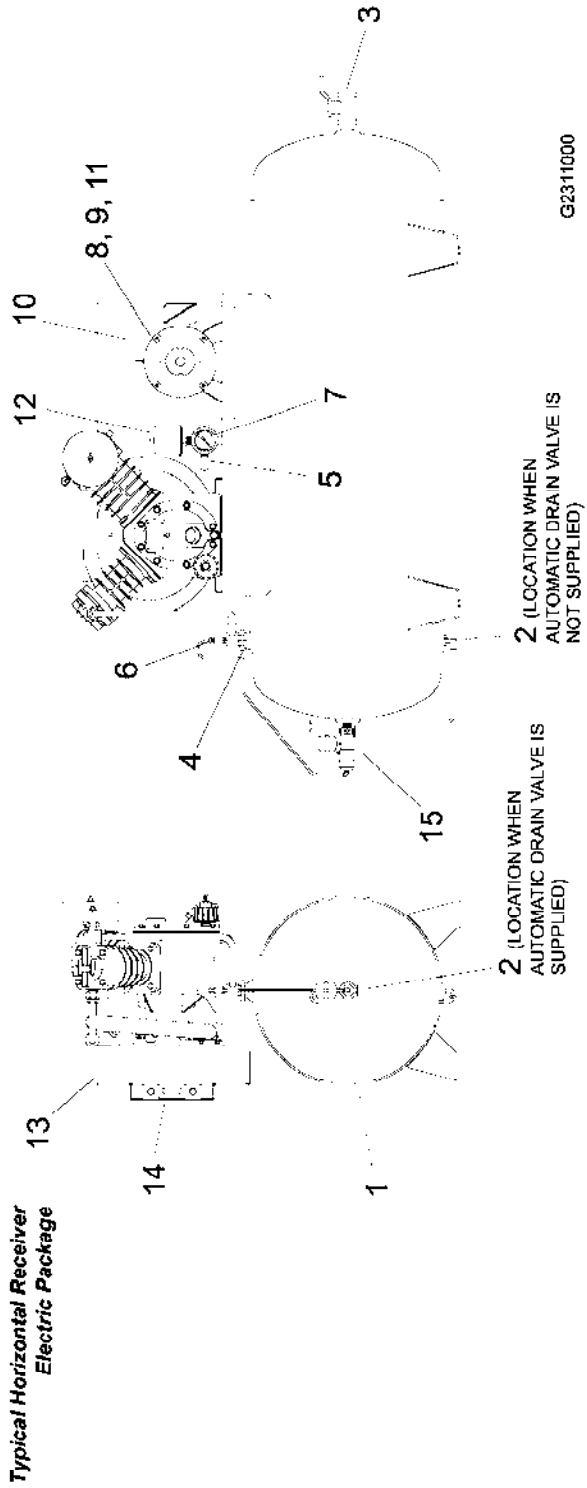


G2711002

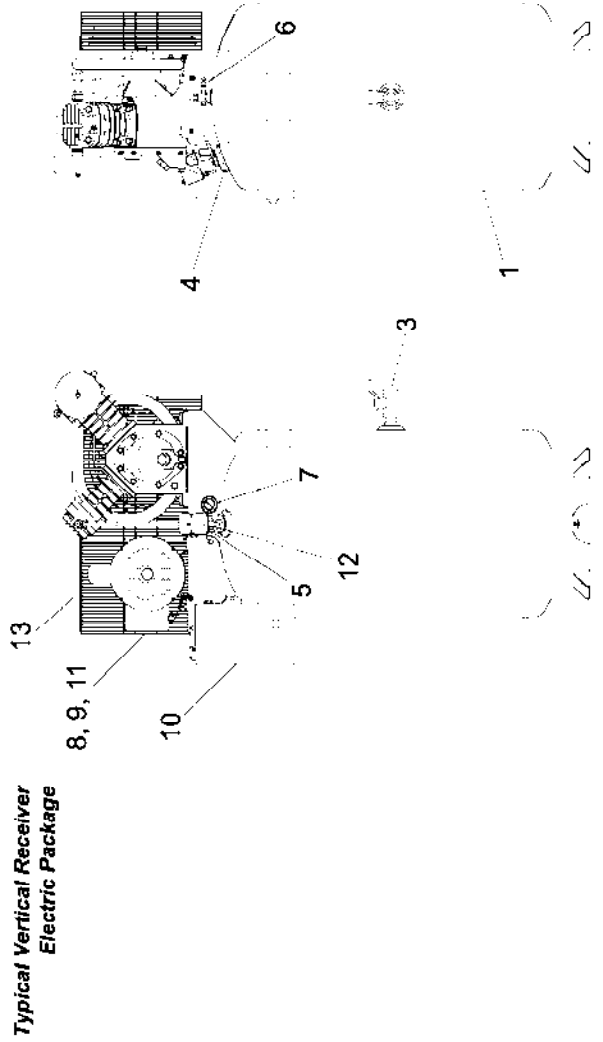
REF. NBR	PART NUMBER	DESCRIPTION	QTY.
	KOHLER HONDA KAWASAKI		
7-1	—	ENGINE, KAWASAKI — 9 HP WITHOUT ALTERNATOR	1
7-1	—	ENGINE, KAWASAKI — 9 HP WITH ALTERNATOR	1
7-1	—	ENGINE, KAWASAKI — 11 HP WITHOUT ALTERNATOR	1
7-1	—	ENGINE, KAWASAKI — 11 HP WITH ALTERNATOR	1
7-1	32302994	ENGINE, KOHLER — 11 HP WITHOUT ALTERNATOR	1
7-1	32303000	ENGINE, KOHLER — 11 HP WITH ALTERNATOR	1
7-1	—	ENGINE, HONDA — 11 HP	1
7-2	31385693	VALVE, SAFETY/RELIEF - 200 PSIG	1
7-3	32013898	GAUGE (BASEPLATE MOUNTED UNITS)	1
7-3	32318966	GAUGE (RECEIVER MOUNTED UNITS)	1
7-4	32027120	VALVE, MANUAL DRAIN	1
7-5	32174286	VALVE, DISCHARGE SAFETY/RELIEF - 325 PSIG	1
7-6	32175507	RECEIVER, 4 GALLON (BASEPLATE MOUNTED UNITS)	1
7-6	32496697	RECEIVER, 30 GALLON (RECEIVER MOUNTED UNITS)	1
7-7	32223588	ASSEMBLY, BALL VALVE (SERVICE VALVE)	1
7-8	32262867	UNLOADER, DISCHARGE (BASEPLATE MOUNTED UNITS)	1
7-8	32262887	UNLOADER, DISCHARGE (RECEIVER MOUNTED UNITS)	1
7-9	32302945	CONTROL, THROTTLE SLOWDOWN	1
7-10	32306557	TUBE, DISCHARGE (BASEPLATE MOUNTED UNITS)	1
7-10	32295396	TUBE, DISCHARGE (RECEIVER MOUNTED UNITS)	1
7-11	37155751	MUFFLER, DISCHARGE UNLOADER	1
NI	32187056	SCREW, SELF-DRILLING (FOR BELTGUARD)	6
7-12	32498743	BACK, BELTGUARD	1
7-13	32498735	FRONT, BELTGUARD	1
NI	—	SHEAVE, ENGINE — 9 HP UNITS	1
NI	32296055	SHEAVE, ENGINE — 11 HP UNITS	1
NI	—	BELT, DRIVE — 9 HP UNITS	1
NI	32295891	BELT, DRIVE — 11 HP UNITS	1
NI	32145898	TENSIONER, BELT	1

HP = HORSEPOWER

FIGURE B. TYPICAL SIMPLEX RECEIVER MOUNTED ELECTRIC PACKAGES



G2311000



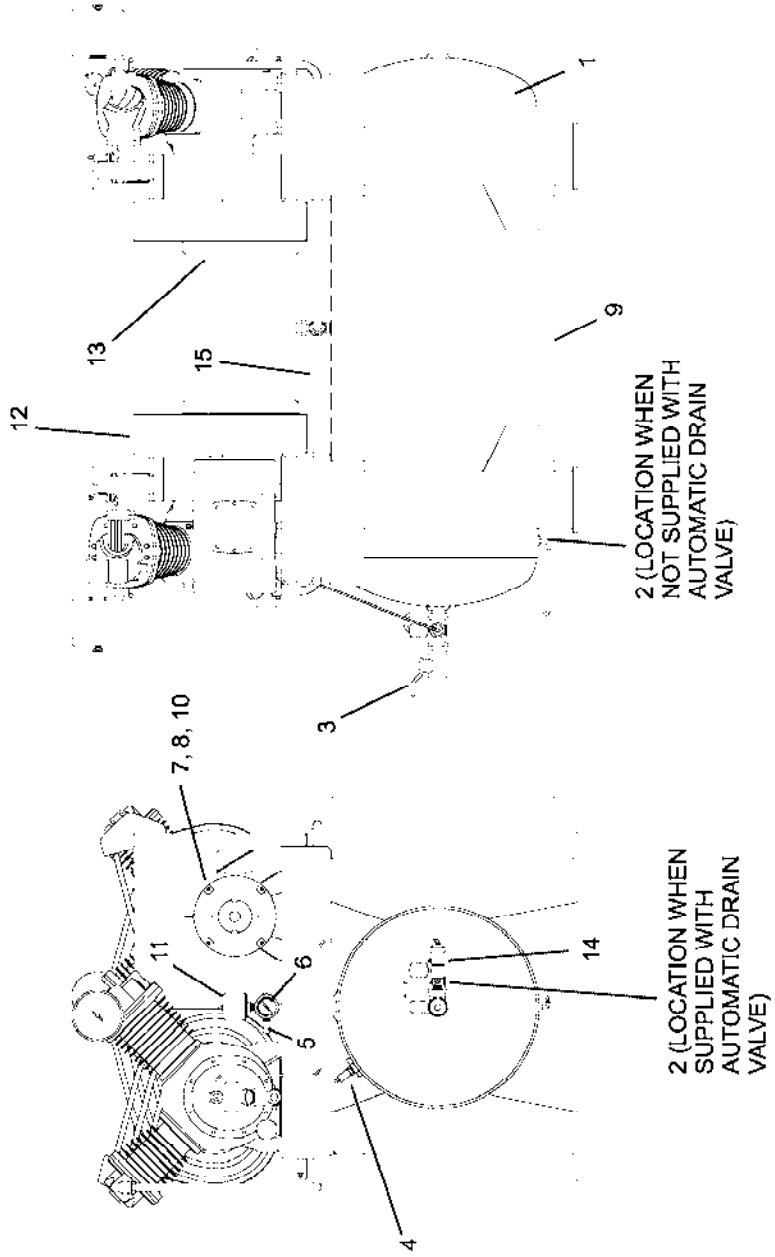
REF. NO.	2475D5	2475N5	2475N5HD	2475N7.5	2475N7.5HD	DESCRIPTION	QTY.
8-1	32498768	32498499	20102794	32498499	20102794	ASSEMBLY, RECEIVER — 175 PSIG UNITS	1
8-2	32027120	32027120	32027120	32027120	32027120	VALVE, MANUAL DRAIN	1
8-3	32106569	32106569	32106569	32106569	32106569	VALVE, BALL — SERVICE VALVE	1
8-4	32498766	32498766	32498766	32304966	32498766	VALVE, CHECK	1
8-5	31385693	31385693	31385693	31385693	31385693	VALVE, SAFETY/RELIEF — RECEIVER 200 PSIG	1
8-6	32174286	32174286	32174286	32174286	32174286	VALVE, SAFETY/RELIEF — DISCHARGE 325 PSIG	1
8-7	32013872	32013872	32498816	32013872	32498816	GAUGE, PRESSURE — 300 PSIG	1
8-8	32036857 **	32036857 **	54436928 **	32295065 **	32309437 **	MOTOR, ELECTRIC 230/460-3-60	1
8-9	32281768 **	32281768 **	32117996 **	32184350 **	32285413 **	PULLEY, MOTOR	1
8-10	32495903 **	32495903 **	N/A	32265084 **	56272297 **	STARTER (IF SUPPLIED) 230-3-60	1
8-11	95099511 **	95099511 **	56269434 **	95099503 **	95099461 **	BELT, DRIVE	1
8-12	32147738 **	32147738 **	56288806 **	32307043 **	56288772 **	SWITCH, PRESSURE — NEMA 1	1
8-13	REF.	REF.	REF.	REF.	REF.	BELTGUARD, COMPLETE — SHEET METAL TYPE (SEE FIG. 11, PG. 18)	1
8-13	REF.	REF.	REF.	REF.	REF.	BELTGUARD, COMPLETE — WIRE TYPE (SEE FIG. 10, PG. 16)	1
8-14	REF.	REF.	REF.	REF.	REF.	AFTERCOOLER, AIR COOLED (SEE FIG. 11, PG. 18)	1
8-15	REF.	REF.	REF.	REF.	REF.	VALVE, AUTOMATIC DRAIN (IF SUPPLIED)(SEE FIG. 12, PG. 20)	1

** = PART NUMBER VARIES. SUPPLY MODEL NUMBER, SERIAL NUMBER AND COMPLETE MOTOR NAMEPLATE DATA WHEN ORDERING.

REF. = REFERENCE PAGE NUMBER(S) GIVEN IN DESCRIPTION COLUMN.

NOTE = AIR COOLED AFTERCOOLER CANNOT BE MOUNTED WIRE BELTGUARD.

FIGURE 9. TYPICAL DUPLEX RECEIVER MOUNTED PACKAGES



G2411300

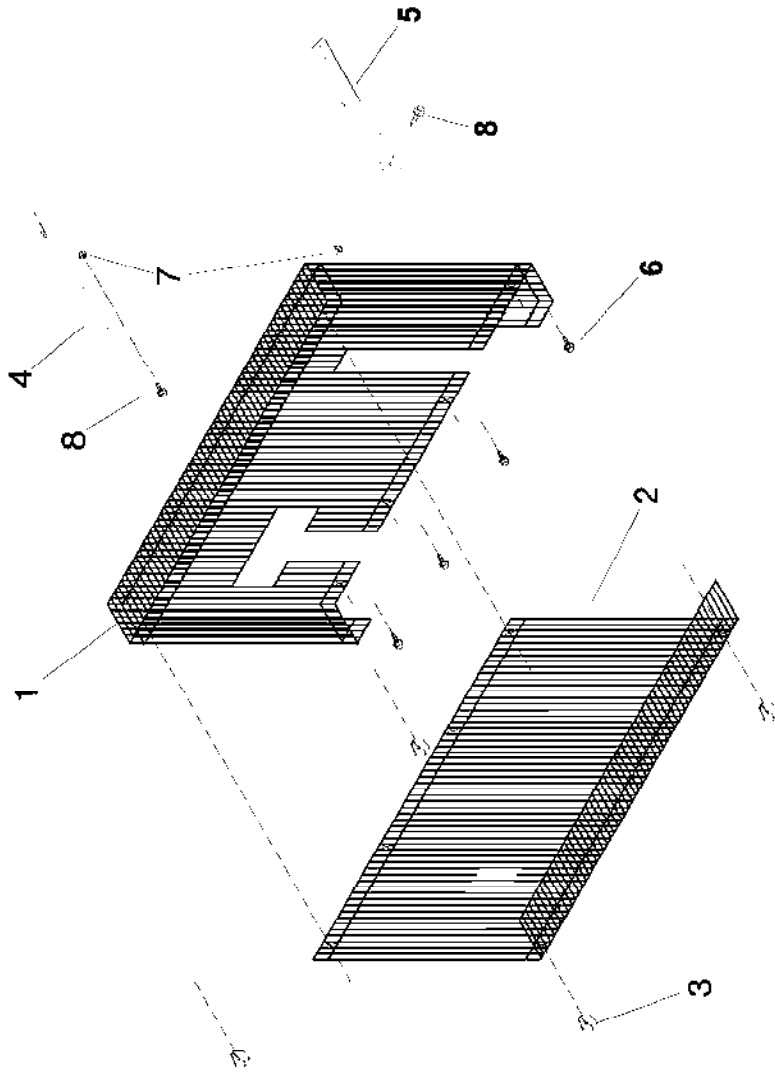
REF. NO.	PART NUMBER	DESCRIPTION	QTY.
	2-2475D5	2-2475E5	
9-1	32251894	32251902 ASSEMBLY, RECEIVER	1
9-2	32027120	32027120 VALVE, MANUAL DRAIN	1
9-3	32223596	32223604 VALVE, BALL — SERVICE VALVE	1
9-4	32498766	32498766 VALVE, CHECK	1
9-5	31385693	31385693 VALVE, SAFETY/RELIEF — RECEIVER	1
9-6	32174286	32174286 VALVE, SAFETY/RELIEF — DISCHARGE	1
9-7	32013872	32013872 GAUGE, PRESSURE — 300 PSIG	1
9-8	32036857 **	32036857 ** MOTOR, ELECTRIC — 5 HP 230/460-3-60	1
9-9	32281768 **	32281768 ** PULLEY, MOTOR	1
9-10	32237141 **	32237141 ** ALTERNATOR	1
9-11	95099511 **	95099511 ** BELT, DRIVE	1
9-12	37005907 **	37005907 ** SWITCH, PRESSURE — NEMA 1	1
9-13	REF.	REF. BELTGUARD, COMPLETE — SHEET METAL TYPE (SEE FIG. 11, PG. 18)	1
9-13	REF.	REF. BELTGUARD, COMPLETE — WIRE TYPE (SEE FIG. 10, PG. 16)	1
9-14	REF.	REF. AFTERCOOLER, AIR COOLED (SEE FIG. 11, PG. 18)	1
9-15	REF.	REF. VALVE, AUTOMATIC DRAIN (IF SUPPLIED)(SEE FIG. 12, PG. 20)	1

** = PART NUMBER VARIES. SUPPLY MODEL NUMBER, SERIAL NUMBER AND COMPLETE MOTOR NAMEPLATE DATA WHEN ORDERING.

REF. = REFERENCE PAGE NUMBER(S) GIVEN IN DESCRIPTION COLUMN.

NOTE = AIR COOLED AFTERCOOLER CANNOT BE MOUNTED ON UNIT EQUIPPED WITH WIRE BELTGUARD.

FIGURE 10. TYPICAL WIRE BELTGUARD

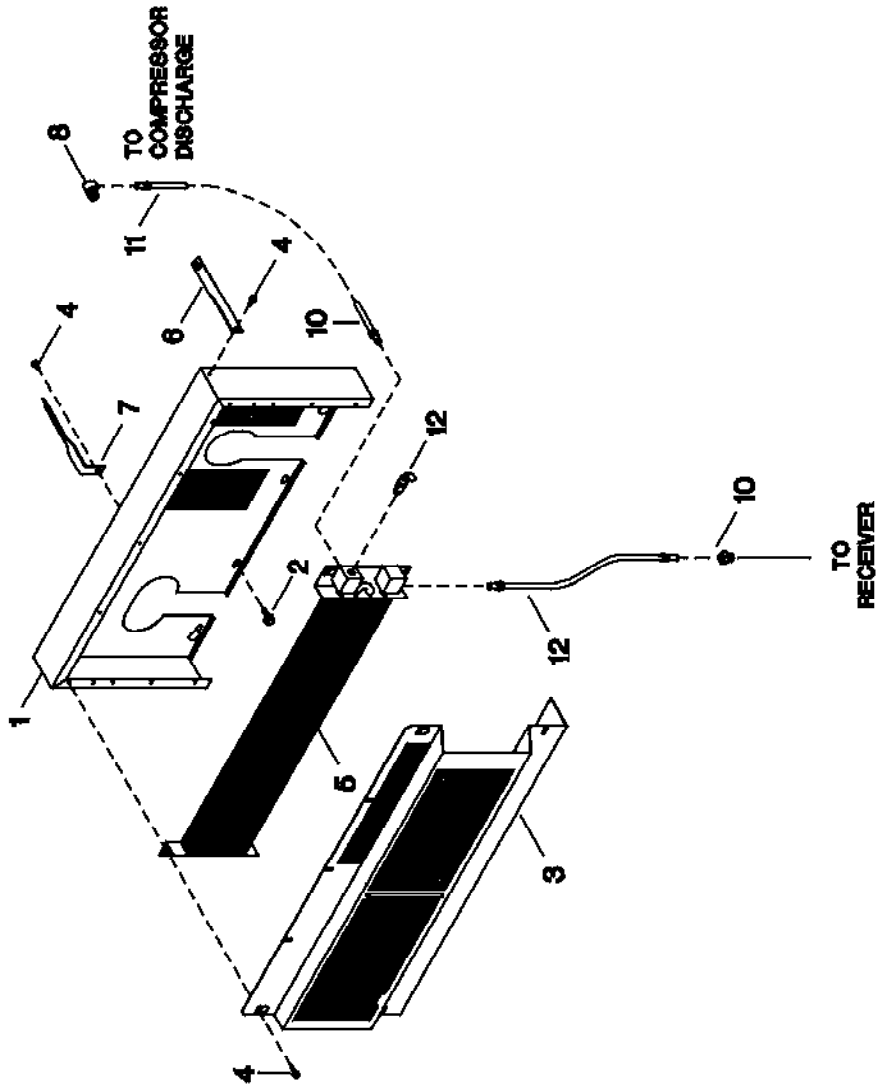


REF. NO.	PART NUMBER (QTY.)	DESCRIPTION
	2475X5 2475D5 2475N5 2475N7.5	2-2475D5 2-2475E5
10-1	32310898 (2)	32499162 (1) 32310898 (2) BACK, BELTGUARD — WIRE TYPE BELTGUARD
10-2	32310880 (2)	32499170 (1) 32310880 (2) COVER, BELTGUARD — WIRE TYPE BELTGUARD
10-3	32496093 (8)	32496093 (4) 32496093 (8) CLIP, PLASTIC — WIRE TYPE BELTGUARD
10-4	32281057 (2)	32281057 (1) 32281057 (2) BRACE, BELTGUARD — LOW PRESSURE (FIRST STAGE) SIDE
10-5	32281065 (2)	32281065 (2) BRACE, BELTGUARD — HIGH PRESSURE (SECOND STAGE) SIDE
10-6	32000705 (8)	97331458 (4) 32000705 (8) CAPSCREW, SELF-TAPPING — 3/8-16 X 3/4"
10-7	39128541 (4)	39128541 (4) NUT, WHIZ-LOCK — 1/4-20
10-8	32175564 (4)	32175564 (4) CAPSCREW, SERRATED WASHER HEAD — 1/4-20 X 3/4"

NOTE: BELTGUARD INFORMATION FOR GASOLINE ENGINE DRIVEN PACKAGES, SEE FIG. 7, PG. 11.

(This page intentionally left blank)

FIGURE 11. TYPICAL BELTGUARD & AIR COOLED AFTERCOOLER



REF. NO.	PART NUMBER (QTY.)				DESCRIPTION		
	2475X5	2475D5	2475N5	2475N7.5		2-2475D5	2-2475E5
11-1	32281040 (1)	32281040 (1)	32281040 (1)	32281040 (1)	32281040 (2)	32281040 (2)	BACK, BELTGUARD
11-2	32000705 (4)	32000705 (4)	32000705 (4)	32000705 (4)	32000705 (8)	32000705 (8)	SCREW, SELF-TAPPING — 3/8-16 X 3/4"
11-3	32281073 (1)	32281073 (1)	32281073 (1)	32281073 (1)	32281073 (2)	32281073 (2)	COVER, BELTGUARD
11-4	32187056 (14)	32187056 (14)	32187056 (14)	32187056 (14)	32187056 (28)	32187056 (28)	SCREW, SELF-DRILLING — 1/4-14 (UNITS WITH ACAC)
11-5	32498149 (1)	32498149 (1)	32498065 (1)	32498149 (2)	32498149 (2)	32498149 (2)	COIL, AFTERCOOLER
11-6	32281065 (1)	32281065 (1)	32281065 (1)	32281065 (1)	32281065 (2)	32281065 (2)	BRACE, BELTGUARD — HIGH PRESSURE SIDE
11-7	32281057 (1)	32281057 (1)	32281057 (1)	32281057 (1)	32281057 (2)	32281057 (2)	BRACE, BELTGUARD — LOW PRESSURE SIDE
11-8	95031795 (1)	95031795 (1)	95031795 (1)	95031795 (1)	—	—	ELBOW, TUBE — 5/8 X 1/2"
11-10	—	32141558 (1)	32499766 (1)	32304966 (1)	32499766 (2)	32499766 (2)	VALVE, CHECK
11-11	32188450 (1)	32188450 (1)	32188450 (1)	32188450 (1)	32188450 (2)	32188450 (2)	TUBE, COMPRESSOR TO ACAC
11-12	—	32322273 (1)	32322265 (1)	32322265 (1)	32322323 (2)	32322349 (2)	TUBE, ACAC TO RECEIVER
11-13	32174286 (1)	32174286 (1)	32174286 (1)	32174286 (1)	32174286 (2)	32174286 (2)	VALVE, SAFETY/RELIEF — 325 PSIG DISCHARGE
NI	—	—	—	—	95063491 (1)	95063491 (1)	TEE, PIPE — 1"
NI	—	—	—	—	95408787 (1)	—	NIPPLE, LONG — 1" X 3-1/2"
NI	—	—	—	—	95397899 (2)	—	NIPPLE, LONG — 1" X 4"
NI	—	—	—	—	32131724 (2)	—	COUPLING, PIPE — 1"
NI	—	—	—	—	32186421 (2)	32186421 (2)	BUSHING, REDUCING — 1" X 3/4"
NI	—	—	—	—	95083226 (2)	—	CONNECTOR, MALE — 5/8" X 1/2"
NI	—	—	—	—	—	95037826 (1)	BUSHING, REDUCING — 1-1/2" X 1"
NI	—	—	—	—	—	95640074 (1)	NIPPLE, CLOSE — 1" X 1-1/2"

ACAC = AIR COOLED AFTERCOOLER

NOTE: BELTGUARD INFORMATION FOR GASOLINE ENGINE DRIVEN PACKAGES, SEE FIG. 7, PG. 11.

The automatic drain valve removes condensed water and oil from compressed air systems without restricting air flow, creating pressure drops or opening the system to the atmosphere. Its unique design maintains systems pressure and volume during operation, and increases productivity.

REF. NO.	PART NUMBER	DESCRIPTION
REF.	32296238	VALVE, AUTOMATIC DRAIN (SIMPLEX UNITS)
REF.	32310690	VALVE, AUTOMATIC DRAIN (DUPLIX UNITS)
12-1	32310971	KIT, WATER CAP ASSEMBLY
12-2	32314924	KIT, BODY/PISTON ASSEMBLY (FOR 32296238 VALVE)
12-2	32296246	KIT, BODY/PISTON ASSEMBLY (FOR 32310690 VALVE)
12-3	32310997	KIT, ONE WAY VALVE
12-4	32496317	RESERVOIR, STANDARD CAPACITY
12-4	32496309	RESERVOIR, HIGH CAPACITY
12-5	32311060	ELBOW, TUBE — 1/4"

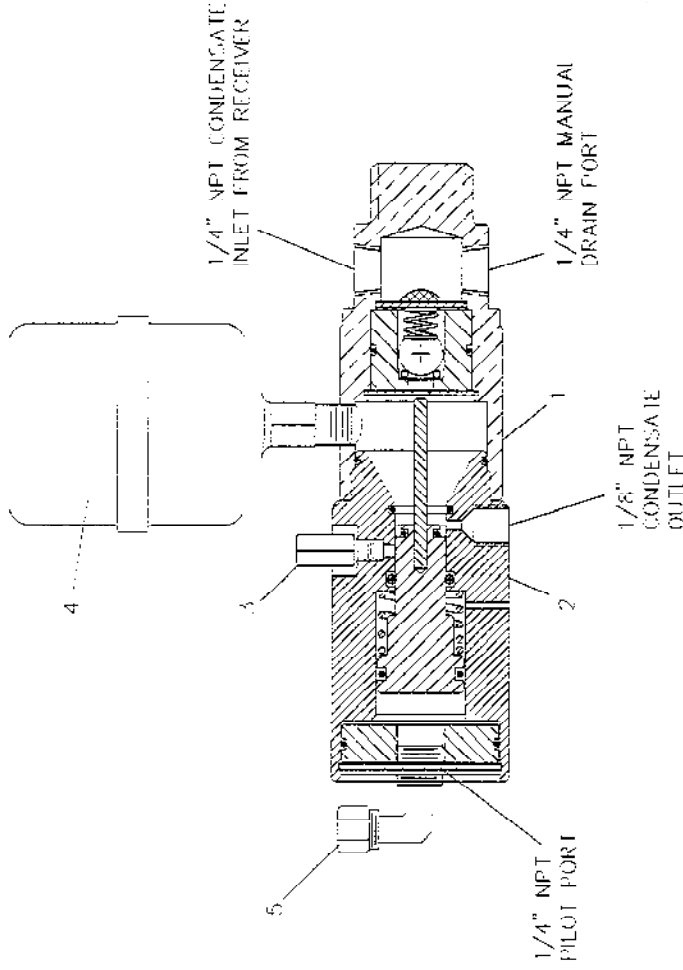
* The high capacity reservoir gives the automatic drain valve twice as much condensate storage capacity during the pumping cycle. This larger reservoir is available as an upgrade. A larger reservoir is recommended for use on heavily-loaded simplex compressors with long pumping cycles and/or operating in extremely humid environments. If the pumping cycle exceeds one hour, then an electric timer kit should be used.

AUTOMATIC DRAIN VALVE TIMER KITS

An automatic drain valve timer kit resolves application problems in which an existing automatic drain valve cycles too infrequently. A timer generates the pneumatic signals for actuating the automatic drain valve. With a timer, the automatic drain valve operates independently of the compressor unload cycles.

PART NUMBER	DESCRIPTION
32499964	KIT, ELECTRIC TIMER — AUTOMATIC DRAIN VALVE

FIGURE 12. AUTOMATIC DRAIN VALVE REPLACEMENT PARTS.



AUTOMATIC DRAIN VALVE ADDITION KITS

An automatic drain valve addition kit allows you to add an automatic drain valve to simplex electric packages.

PART NUMBER	DESCRIPTION
32311219	KIT, ADDITION — AUTOMATIC DRAIN VALVE

MAINTENANCE PAKS

Maintenance paks contain all the parts necessary for one complete routine maintenance service of your compressor. All-Season T30 Select lubricant, air filter elements, gaskets, drive belts, and instructions are standard with all maintenance paks.

PART NO.	DESCRIPTION
38485157	PAK, MAINTENANCE — 2475N7.5
38485165	PAK, MAINTENANCE — 2475N5
38485173	PAK, MAINTENANCE — 2475F11G
38485181	PAK, MAINTENANCE — 2475F11GKA

VIBRATION ISOLATOR PADS

Vibration isolator pads are designed to absorb 40%-60% of the sound and vibration of your compressor.

PART NUMBER	DESCRIPTION
32320681	PAD, VIBRATION ISOLATOR - 4" X 4" SP-NR
32320699	PAD, VIBRATION ISOLATOR - 5" X 5" SP-NR
32321002	PAD, VIBRATION ISOLATOR - 4" X 4" NRC
32321028	PAD, VIBRATION ISOLATOR - 5" X 5" NRC
32321010	PAD, VIBRATION ISOLATOR - 6" X 6" NRC

SP-NR: Steel plate bonded between a NR pad and a non-skid oil-resistant ribbed neoprene top pad.

NRC: Two ribbed neoprene pads bonded to ½" cork pad.

CRANKCASE HEATER KITS

Crankcase heaters are recommended when ambient temperatures are consistently below 32°F (0°C). An easy-to-install external crankcase heater kit is intended for aftermarket use. Two kits may be required for some applications.

PART NUMBER	DESCRIPTION
97330385	KIT, CRANKCASE HEATER

COMPRESSOR LUBRICANT

All Season T30 Select® is an all-temperature diester synthetic lubricant that is formulated for exceptional lubrication at low, normal and high operating temperatures.

PART NUMBER	DESCRIPTION
32318875	LUBRICANT, ALL SEASON T30 SELECT - QUART
32318883	LUBRICANT, ALL SEASON T30 SELECT - CASE OF 12 QUARTS

START-UP KITS

Each start-up kit contains the necessary quantities of All Season T30 Select lubricant and air filter element(s) to start-up and maintain your compressor for the first year. Start-Up kits for gasoline engine driven models also include a replacement engine air filter, engine oil filter, and engine lubricant. See the engine manufacturer's instructions for more detailed engine care information.

PART NO.	DESCRIPTION
32305880	KIT, START-UP — 2475 WITH ELECTRIC MOTOR
32305872	KIT, START-UP — 2475 WITH KOHLER ENGINE
32498511	KIT, START-UP — 2475 WITH KAWASAKI ENGINE

STEP SAVER KITS

Step Saver Kits provide all of the parts required to perform common repair or scheduled maintenance tasks, such as piston ring replacement or valve replacement.

PART NUMBER	DESCRIPTION	CONTENTS
32301426	KIT, VALVE/GASKET	Valve wearing parts and head gaskets that are destroyed in replacing valve parts.
32301517	KIT, RING/GASKET	Complete set of piston rings, a crankshaft seal, and gaskets that are destroyed in breaking the unit down to replace the rings.
32301509	KIT, BEARING/CONNECTING ROD SET, GASKET	Set of connecting rods, main bearings, and a crankpin bushing. A gasket set is recommended with this kit.
32301434	SET, GASKET	Complete set of gaskets that are destroyed in breaking the unit down for service. Recommended with bearing/connecting rod kit or as spare gaskets.
32319469	KIT, OVERHAUL	All of the above for complete overhaul service.



A series of horizontal lines for writing, starting from the top right of the pen icon and extending across the width of the page. The lines are evenly spaced and cover the majority of the page's vertical space.



A series of horizontal lines for writing, starting from the top right of the pen icon and extending across the width of the page. The lines are evenly spaced and cover the majority of the page's vertical space, providing a template for text entry.

LOOK WHAT INGERSOLL-RAND CAN DO FOR YOU!



Efficient Field Service

We maintain a highly trained staff of technicians to service your equipment for preventive maintenance, or to assist you should emergencies ever occur.



Complete Repair Service

Our trained technicians will repair or overhaul your equipment to factory specifications, using only genuine I-R parts.



Special Engineering Service

We can help you identify and solve your problems by evaluating your needs and recommending the proper equipment to give you maximum efficiency.



Spare Parts

By stocking genuine I-R spare parts, we can help you avoid costly delays or substituting inferior parts. Using genuine I-R parts on your I-R equipment will help to keep even older equipment running in good-as-new condition.



Complete Stock of Equipment

We carry a complete line of I-R equipment and accessories designed to meet any compressed air application. We are backed by I-R's prompt factory shipment to ensure you on-time delivery.

A SUBSTITUTE IS NOT A REPLACEMENT!

Ensure you get peak performance and longevity out of your Ingersoll-Rand product by insisting on genuine Ingersoll-Rand replacement parts and maintenance kits. Not only are the replacement parts made to precise dimensions and OEM-specified metallurgy, but each part is backed by the Ingersoll-Rand warranty. Your local Air Center, Distributor, or direct Ingersoll-Rand salesperson will work with you to ensure you get the parts you need to do the job right. Equip your machines with only the best — Ingersoll-Rand genuine parts.

NOTE: THE USE OF REPAIR PARTS OTHER THAN THOSE INCLUDED WITHIN THE INGERSOLL-RAND COMPANY APPROVED PARTS LIST MAY CREATE UNSAFE CONDITIONS OR MECHANICAL FAILURES OVER WHICH INGERSOLL-RAND COMPANY HAS NO CONTROL. INGERSOLL-RAND COMPANY SHALL BEAR NO RESPONSIBILITY FOR EQUIPMENT ON WHICH NON-APPROVED REPAIR PARTS ARE INSTALLED.

The manufacturer reserves the right to make changes or add improvements without notice and without incurring any obligation to make such changes to products previously sold.