

CURTIS – TOLEDO

PARTS LIST SUPPLEMENT

**R/S 60D 380V
SOFT STARTER IT 135AMP**

Curtis – Toledo

1905 Kienlen Ave. St. Louis, MO 63133

phone: 314-383-1300 fax: 314-381-1439 Email: info@curtistoledo.com

www.curtistoledo.com



DANGER

Air used for breathing or food processing must meet
OSHA 29CFR 1910.134 or FDA 21CFR 178.3570
Regulations. Failure to do so may cause severe
injury or death



WARNING

Personal injury and/or equipment damage will result by failing to pay attention to the vital safety information and instruction in the operating and instruction manual
Carefully read, understand, and retain all safety information and instructions before operating this unit.

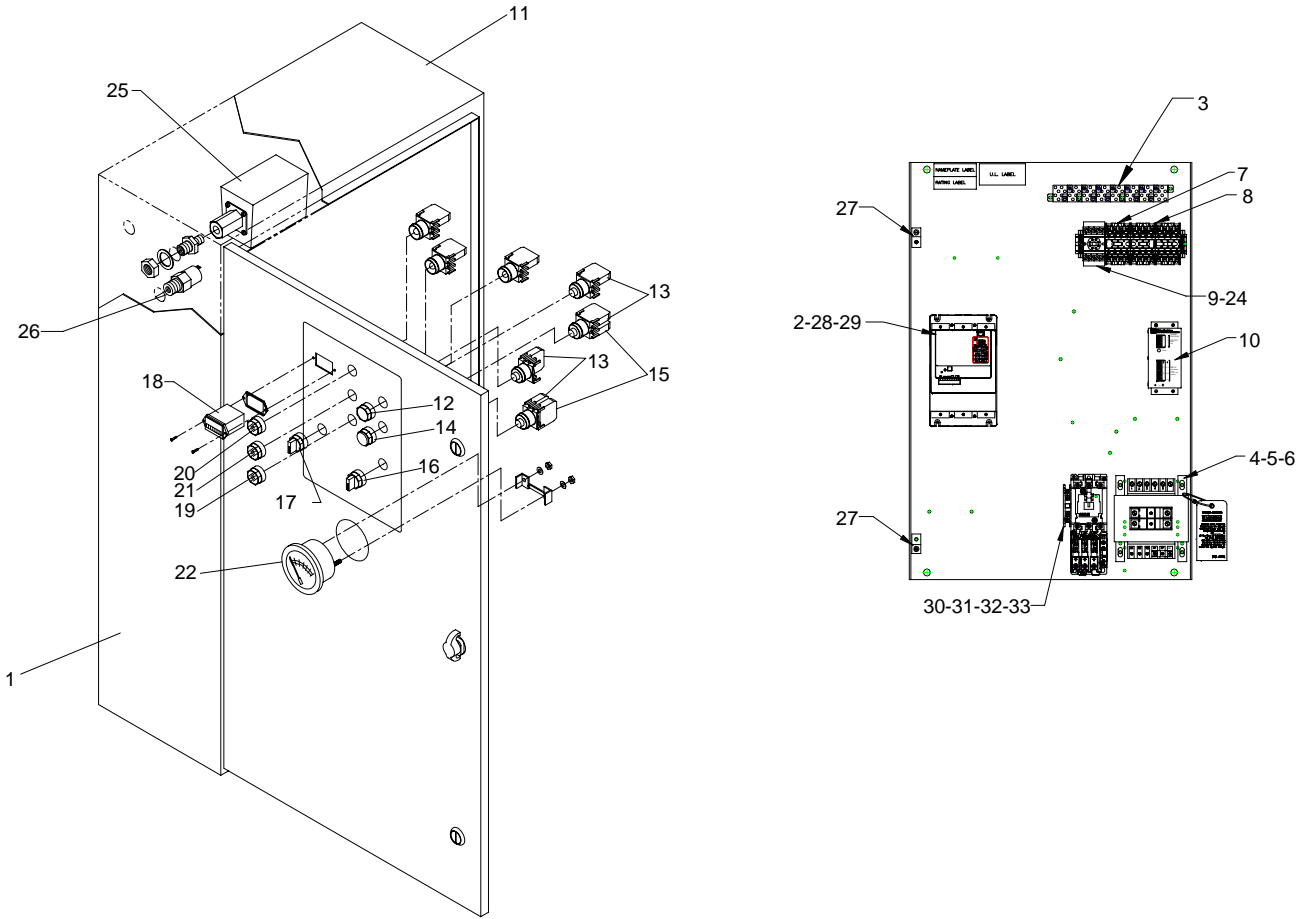
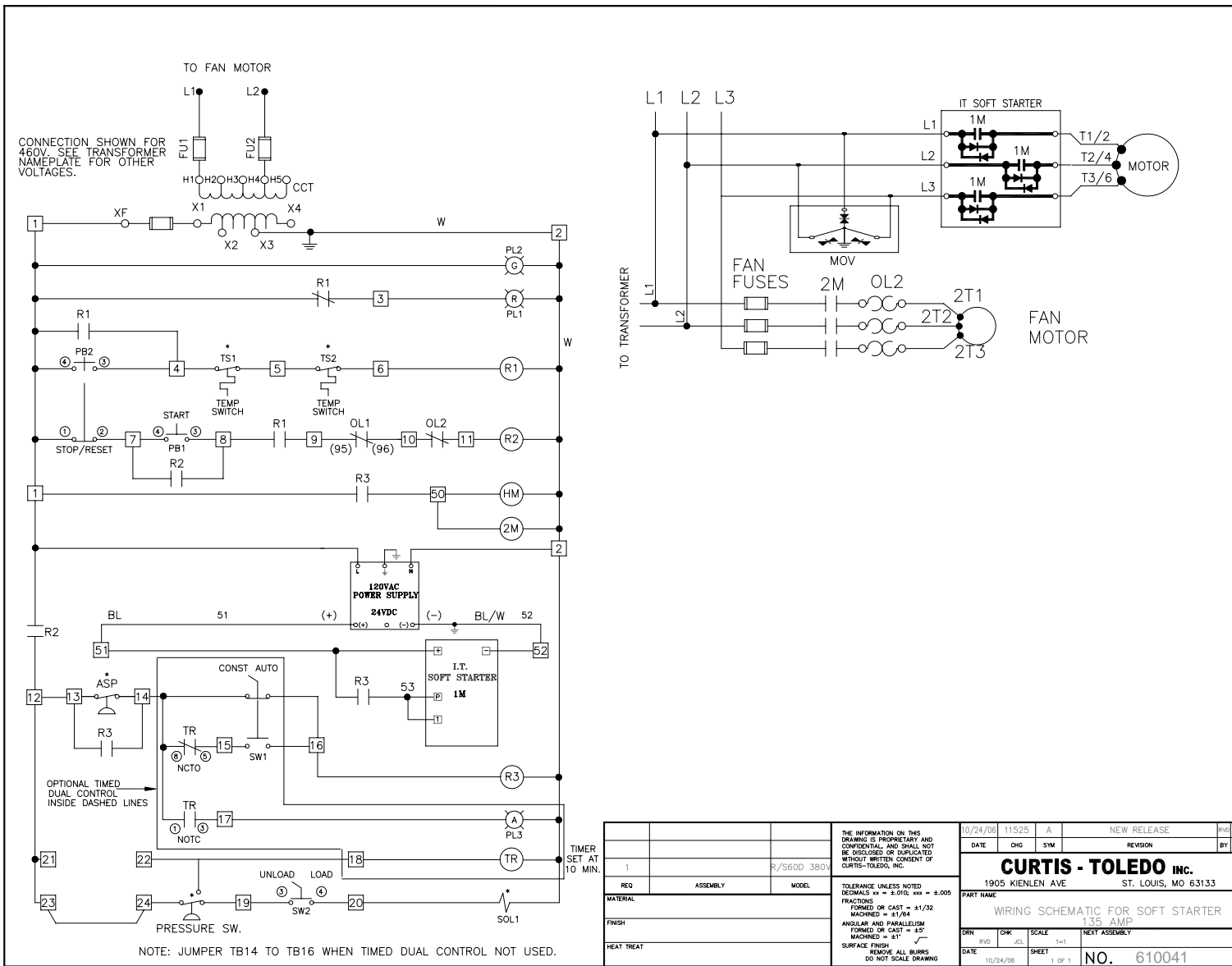


Figure 1: Electrical Components Group – Soft Start

PARTS LIST FOR ELECTRICAL COMPONENTS GROUP – SOFT STARTER (REF. FIG. 1)

ITEM NO.	DESCRIPTION	QTY.	R/S 60 380V 50HZ
1	CONTROL PANEL ASSEMBLY	1	1334010
2	IT SOFT STARTER SIZE "T" 135 AMP	1	1334011
3	TERMINAL BLOCK (4)	8	RN18339
4	TRANSFOMER, 350VA, FUSED -120V	1	1330057
5	FUSE, TRANSFORMER, PRIMARY ATQR 4.0A	2	RN18349
6	FUSE, TRANSFORMER, SECONDARY TRM 5.0A	1	RN18356
7	RELAY, 4 POLE, 120VAC, DPDT, 2NO/2NC	1	1330062
8	RELAY, 4 POLE, 120VAC, DPDT, 3NO/1NC	2	1334005
9	SOCKET (BASE)	1	VS618
10	IT POWER SUPPLY 55W 120VAC/24VDC	1	1334004
11	ENCLOSURE, 37.5 X 21.5 X 10	1	RN18059
12	PUSH BUTTON START SWITCH	1	RN18116
13	N.O. CONTACT BLOCK	4	RN18118-2
14	PUSH BUTTON STOP SWITCH (RED)	1	RN18118
15	N.C. CONTACT BLOCK	2	RN18118-1
16	2 POSITION SELECTOR SWITCH (CONST/AUTO)	1	RN18104-9
17	2 POSITION SELECTOR SWITCH (LOAD/UNLOAD)	1	RN18104-7
18	HOUR METER	1	1330048
19	AMBER LIGHT (STAND BY)	1	RN18218
20	RED LIGHT (STOP)	1	RN18217
21	GREEN LIGHT (POWER ON)	1	RN18219
22	TEMPERATURE GAUGE	1	RN18683
24	TIMER 60 MIN PLUG IN	1	1330026
25	SWITCH, PRESSURE – 100 PSI UNITS	1	RN18133-2
	SWITCH, PRESSURE – 125 PSI UNITS	1	RN18133-2
	SWITCH, PRESSURE – 150 PSI UNITS	1	RN18133-4
	SWITCH, PRESSURE – 175 PSI UNITS	1	RN18133-4
26	ANTI-START PRESSURE SWITCH	1	RN18134
27	LUG, GROUNDING	2	VE779
28	IT SURGE SUPPRESSOR 600V MOV	1	1334007
29	FAN/HOOD ACCESSORY	1	1334008
30	FAN STARTER E SIZE	1	RN18965
31	FUSE BLOCK	1	RN18314-1
32	FUSE ATDR 10 AMP	3	RN18317-1
33	HEATER PACK	1	RN18975
	WIRING DIAGRAM FOR SOFT START W/C		610041



REQ		ASSEMBLY	MODEL	R/S600 380V	
MATERIAL		TOLERANCE UNLESS NOTED DECIMALS .xx = ±.010, .xxx = ±.005 FRACTIONS FORMED OR CAST = ±1/32 MACHINED = ±1/64 ANGULAR AND PARALLELISM FORMED OR CAST = ±5° MACHINED = ±1°			
FINISH		SURFACE FINISH REMOVE ALL BURRS DO NOT SCALE DRAWING			
HEAT TREAT					
DATE	CHK	SCALE	NEXT ASSEMBLY		BY APP
10/24/06	JCL	1=1	NO. 610041		

NOTES

CURTIS-TOLEDO, INC.

1905 Kienlen Avenue, St. Louis, Missouri 63133

ph: (314) 383-1300 fax: (314) 383-1439

email: info@curtistoledo.com

www.curtistoledo.com

Sales representatives in principal cities