

CURTIS

R/S 40B,C and R/S 50B,C

PARTS LIST

AIR END MODEL

B160, B170
AIR COOLED

HOW TO ORDER PARTS

Give name and part number as shown in parts list and serial number. Serial number is on nameplate attached to control panel of unit.

LOT NUMBER:

R/S 40B 01 40C 01
R/S 50B 01 50C 01

IMPORTANT

Make a permanent record of the Model and Serial numbers of your machine here. You'll save time and expense by including this reference identification on replacement parts

MODEL : _____

SER. NO.: _____

CURTIS-TOLEDO, INC.

1905 KIENLEN AVENUE, ST. LOUIS, MISSOURI 63133

Tel. (314) 383-1300

Fax (314) 381-1439

E-MAIL: INFO@CURTISTOLEDO.COM



DANGER

Air used for breathing or food processing must meet
OSHA 29CFR 1910.134 or FDA 21CFR 178.3570
Regulations. Failure to do so may cause severe
injury or death

INTRODUCTION

HOW TO USE THE PARTS LIST

Using the List of Illustrations obtain the figure number of the assembly in which your part is located. Go to the appropriate figure and locate your part on the illustration. Using the key number, find the part on the parts list.

LIST OF ILLUSTRATIONS

<u>Title</u>	<u>Page</u>
Major Components Group	2
Air And Oil Piping Group	6
Heavy Duty Air Filter Assembly	10,11
Electrical Components Group - Open	12
Electrical Components Group - Enclosed	14
Tank and Base Group	18
Enclosure Group	22
Routine Maintenance Kits	23



WARNING

Personal injury and/or equipment damage will result by failing to pay attention to the vital safety information and instruction in the operating and instruction manual. Carefully read, understand, and retain all safety information and instructions before operating this unit.

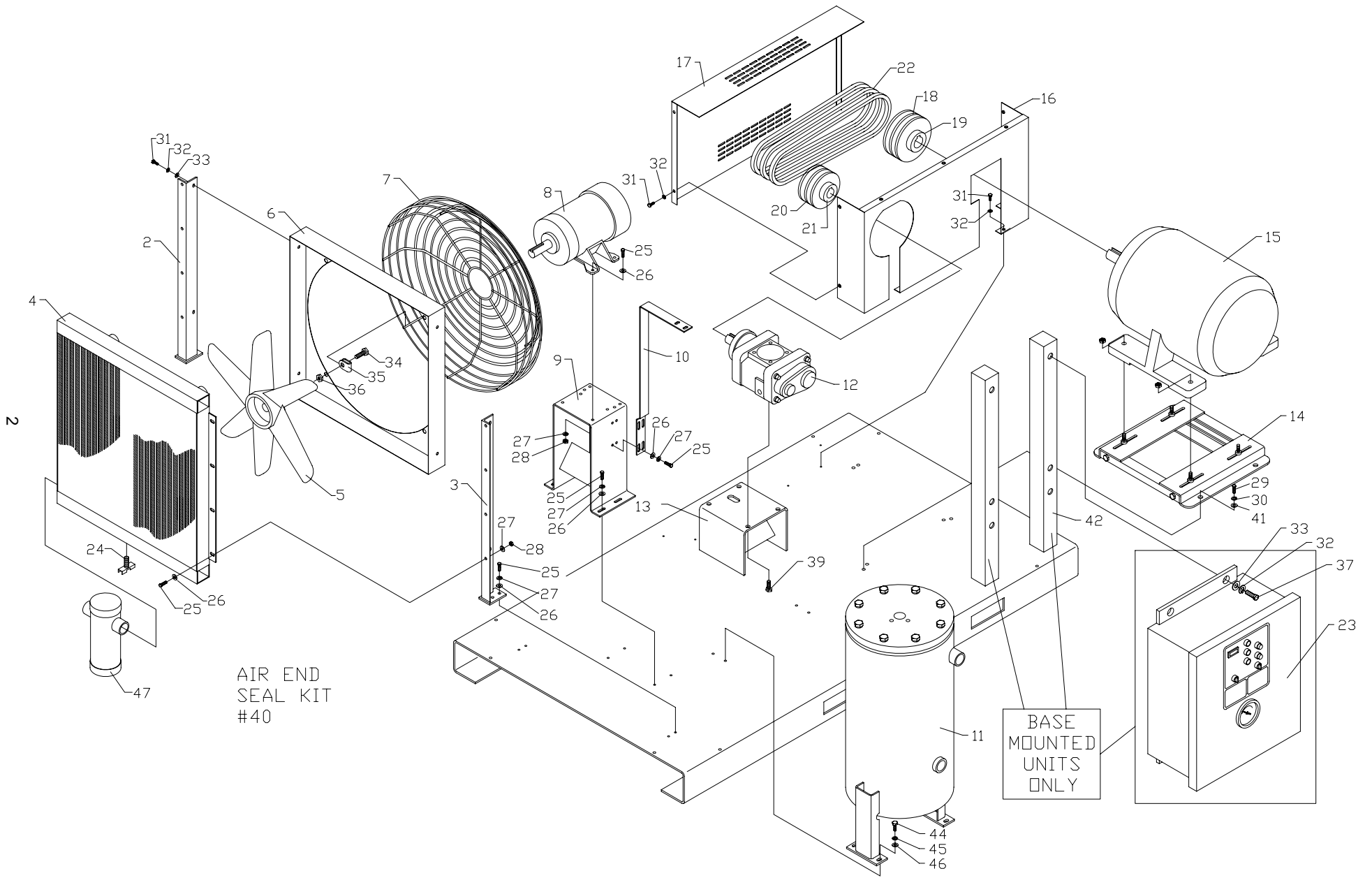


Figure 1: Major Components Group

PARTS LIST FOR MAJOR COMPONENTS GROUP (REF. FIG 1)

CAP-256

ITEM NO.	DESCRIPTION	QTY	R/S 40B	R/S 40C	R/S 50B	R/S 50C
1	MAIN BASE	1	RN10116	<	<	<
2	COOLER SUPPORT ASSEMBLY, LEFT HAND	1	CS700	<	<	<
3	COOLER SUPPORT ASSEMBLY, RIGHT HAND	1	CS701	<	<	<
4	COOLER, AIR/OIL	1	RN32217	<	<	<
5	BLADE, FAN	1	RN32419	<	RN32406	<
6	COVER, FAN	1	CS731	<	CS730	<
7	GUARD, FAN	1	RN10456	<	<	<
8	MOTOR, FAN, 3 PHASE, 60 Hz, 200V, ODP	1	RN19001-7	<	VM723	<
	MOTOR, FAN, 3 PHASE, 60 Hz, 230/460V, ODP	1	RN19001-6	<	M25	<
	MOTOR, FAN, 3 PHASE, 60 Hz, 575V, ODP	1	RN19001-11	<	VM722	<
9	MOUNT, FAN MOTOR	1	RN10120-8	<	<	<
10	BRACKET, OIL FILTER	1	CS717A	<	<	<
11	SEPARATOR, AIR/OIL	1	RN10222-2	<	<	<
12	AIR END	1	CS643	CS643-1	CS643	CS643-1
13	MOUNTING PLATE, AIR END	1	RN10127	<	<	<
14	BASE, MOTOR	1	RN12030	<	RN12040	<
15	MOTOR, MAIN, 3 PHASE, 60 Hz, 200V, ODP	1	RN19045	<	RN19051-2	<
	MOTOR, MAIN, 3 PHASE, 60 Hz, 230/460V, ODP	1	RN19041	<	RN19051	<
	MOTOR, MAIN, 3 PHASE, 60 Hz, 575V, ODP	1	RN19041-5	<	RN19051-5	<
16	BELTGUARD, BACK	1	RN10510-5	RN10510-9	RN10510-5	RN10510-9
17	BELTGUARD, FRONT	1	RN10510	<	<	<
18	SHEAVE, MOTOR					
19	BUSHING, MOTOR					
20	SHEAVE, AIR END					
21	BUSHING, AIR END					
22	BELT					
23	PANEL, CONTROL	1				
	SIZE "K"		1330000	<	<	<
	SIZE "N"		1330001	<	<	<
24	DRAINCOCK	1	VV514	<	<	<
25	SCREW, HEX HEAD CAP, 5/16 -18 x 3/4" LG.	24	VH12HF	<	<	<
26	WASHER, FLAT - 5/16"	24	VH32H	<	<	<
27	LOCKWASHER - 5/16"	24	VH35H	<	<	<
28	NUT, HEX - 5/16"	16	VH15H	<	<	<
29	SCREW, HEX HEAD CAP, 1/2-13 x 1" LG	4	VH12PH	<	<	<
30	LOCKWASHER - 1/2"	4	VH35P	<	<	<
31	SCREW, HEX HEAD CAP, 1/4-20 x 3/4" LG	15	VH51FF	<	<	<
32	LOCKWASHER - 1/4"	19	VH35F	<	<	<
33	WASHER, FLAT - 1/4"	12	VH32F	<	<	<

SEE TABLE 1

PARTS LIST FOR MAJOR COMPONENTS GROUP (REF. FIG 1)

CAP-256

ITEM NO.	DESCRIPTION	QTY	R/S 40B	R/S 40C	R/S 50B	R/S 50C
34	SCREW, HEX HEAD CAP, 10-24 x 1/2" LG	4	VH12DD	<	<	<
35	NYLON LOOP CLAMP	4	RN10455-1	<	<	<
36	NUT, HEX - 10-24	4	VH15D	<	<	<
37	SCREW, HEX HEAD CAP, 1/4-20 x 1" LG	4	VH12FH	<	<	<
38	SCREW, HEX HEAD CAP, 1/4-20 x 7/8" LG	4	VH12FG	<	<	<
39	BOLT	4	VH1432	<	<	<
40	AIR END SEAL KIT	1	RN90437-1	<	<	<
41	WASHER, FLAT - 1/2"	4	VH32P	<	<	<
42	ELECTRICAL ENCLOSURE SUPPORT	2	CS677	<	<	<
44	SCREW, HEX HEAD CAP, 3/8-16 x 1" LG.	4	VH12KH	<	<	<
45	LOCKWASHER - 3/8"	4	VH35K	<	<	<
46	WASHER, FLAT - 3/8"	4	VH32K	<	<	<
47	MOISTURE SEPARATOR, BASE MOUNTED	1	RN34120	<	<	<

* FOR MOTOR PART NUMBERS OTHER THAN STANDARD ODP, CONSULT FACTORY

	ITEM NO.	DESCRIPTION	R/S 40B		R/S 40C	R/S 50B		R/S 50C
			QTY	PART NO.	PART NO.	QTY	PART NO.	PART NO.
100 PSI	18	SHEAVE, MOTOR	1	RN14138	RN14110	1	RN14138	<
	19	BUSHING MOTOR	1	RN14177-4	<	1	RN14177-5	<
	20	SHEAVE, AIR END	1	RN14137	RN14106	1	RN14180	RN14181
	21	BUSHING, AIR END	1	RN14177-2	<	1	RN14178-1	<
	22	BELT	5	RN14316-1	< (4)	5	RN14315-1	<
125 PSI	18	SHEAVE, MOTOR	1	RN14110	<	1	RN14138	<
	19	BUSHING MOTOR	1	RN14177-4	<	1	RN14177-5	<
	20	SHEAVE, AIR END	1	RN14106	RN14109	1	RN14181	RN14133
	21	BUSHING, AIR END	1	RN14177-2	<	1	RN14178-1	RN14177-2
	22	BELT	4	RN14316-1	<	5	RN14315-1	<
150 PSI	18	SHEAVE, MOTOR	1	RN14109	<	1	RN14138	RN14135
	19	BUSHING MOTOR	1	RN14177-4	<	1	RN14177-5	<
	20	SHEAVE, AIR END	1	RN14109	RN14110	1	RN14137	RN14181
	21	BUSHING, AIR END	1	RN14177-2	<	1	RN14177-2	RN14178-1
	22	BELT	4	RN14315-1	RN14316-1	5	RN14316-1	RN14311-1
175 PSI	18	SHEAVE, MOTOR	1	RN14106	<	1	RN14135	RN14134
	19	BUSHING MOTOR	1	RN14177-4	<	1	RN14177-5	<
	20	SHEAVE, AIR END	1	RN14110	<	1	RN14181	RN14135
	21	BUSHING, AIR END	1	RN14177-2	<	1	RN14178-1	RN14177-2
	22	BELT	4	RN14316-1	<	5	RN14315-1	<

Table 1: SHEAVES, BUSHINGS AND BELTS

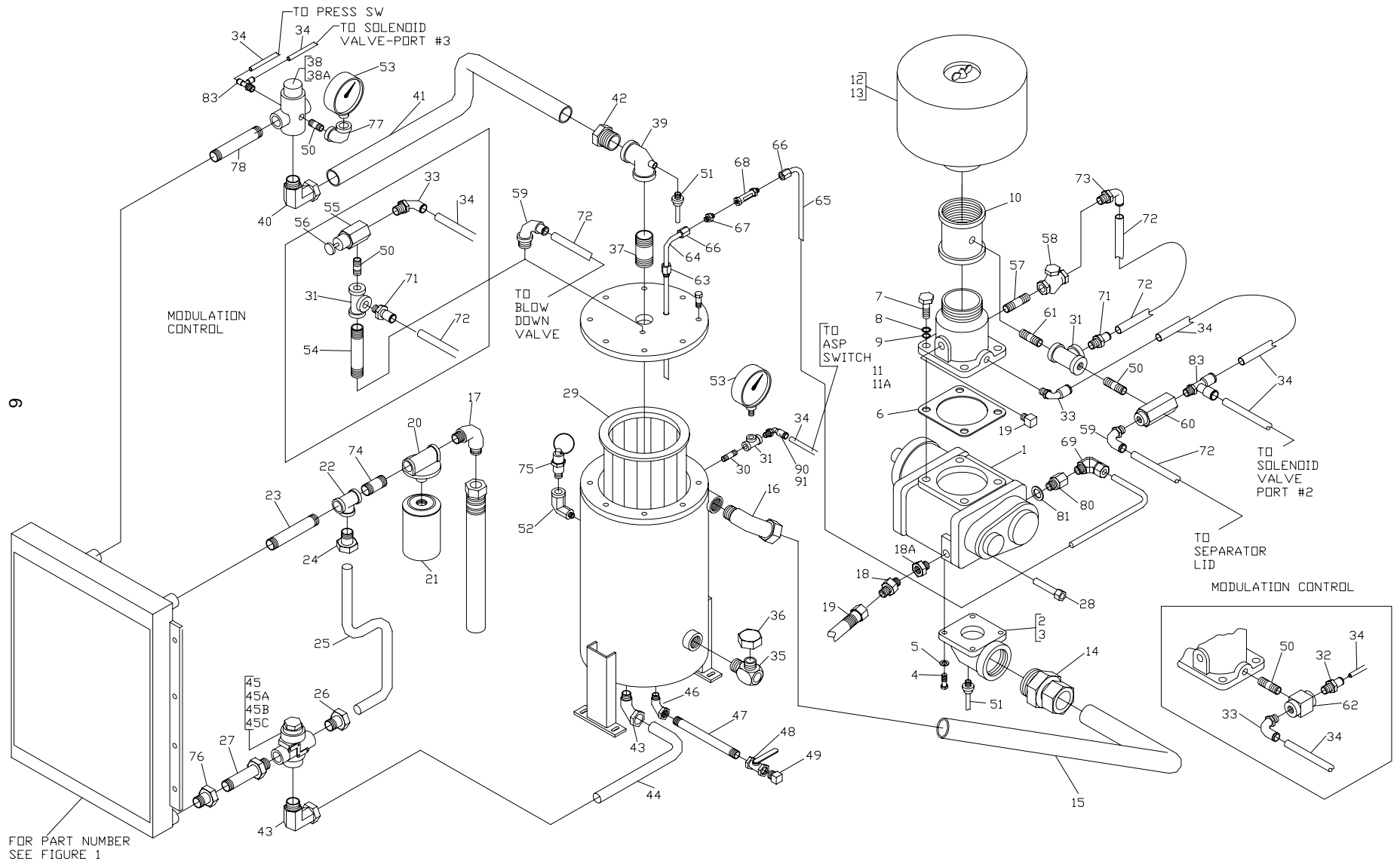


Figure 2: Air And Oil Piping Group

PARTS LIST FOR AIR AND OIL PIPING GROUP (REF. FIG. 2)

CAP-256

ITEM NO.	DESCRIPTION	QTY	R/S 40B	R/S 40C	R/S 50B	R/S 50C
1	AIR END	1	CS643	CS643-1	CS643	CS643-1
2	FLANGE, DISCHARGE	1	RN10682-2	<	<	<
3	"O" RING (NOT SHOWN)	1	RN10682-1	<	<	<
4	BOLT, M12 x 1.75 x 80 mm	4	VH1452	<	<	<
5	LOCKWASHER, 12 mm	4	VH1240	<	<	<
6	GASKET, INLET VALVE	1	RN10674-3	<	<	<
7	BOLT, M12 x 2.0 x 40 mm	4	VH1433	<	<	<
8	LOCKWASHER	4	VH1240	<	<	<
9	WASHER	4	VH1239	<	<	<
10	COUPLING, 2 1/2"	1	200000	<	<	<
11	VALVE, INLET	1	RN24582	<	<	<
11A	KIT, SERVICE, INLET VALVE (NOT SHOWN)	1	RN24570-2	<	<	<
12	ASSEMBLY, AIR FILTER (DISCONTINUED)	1	VA1145	<	<	<
13	ELEMENT, AIR FILTER (DISCONTINUED)	1	VA1144	<	<	<
14	CONNECTOR, 1 1/2"OD x 1 7/8-12UN, STRAIGHT	1	VAB707	<	<	<
15	TUBE, 1 1/2" O.D.	1	OFE981	<	<	<
16	CONNECTOR, 1 1/2" O.D. x 1 7/8-12UN, 90 DEG ELBOW	1	RN52145	<	<	<
17	CONNECTOR, 1" O.D. X 3/4" NPT, 90 DEG ELBOW	1	RN60087	<	<	<
18	CONNECTOR, 1" O.D. X 3/4" BSPP	1	RN60166-	<	<	<
19	HOSE ASSEMBLY, 7/8"ID x 48" LG.	1	RN60145	<	<	<
20	OIL FILTER HEAD	1	RN28100	<	<	<
21	ELEMENT, OIL FILTER	1	RN28201	<	<	<
22	TEE, REDUCING, 1" x 3/4" x 3/4"	1	VAC878	<	<	<
23	NIPPLE, 1" NPT x 5 1/2" LG.	1	VA13FKA	<	<	<
24	CONNECTOR, STRAIGHT, 3/4" NPT x 3/4" O.D.	1	VAA717	<	<	<
25	TUBE, BY-PASS TO OIL FILTER	1	OFE959	<	<	<
26	CONNECTOR, STRAIGHT, 3/4" O.D. x 1 1/16-12UN-2B	1	RN52143	<	<	<
27	ADAPTOR, MALE, 3/4" NPT x 1 1/16-12UN-2B	1	RN52139	<	<	<
28	THERMOWELL, M14 x 1.5	1	RN18679	<	<	<
29	ELEMENT, SEPARATOR	1	RN27518	<	<	<
30	NIPPLE, 1/4" NPT x SHORT	2	VA13BBB	<	<	<
31	TEE, 1/4"	3	VA10BF	<	<	<
32	CONNECTOR, STRAIGHT, QUICK DISCONNECT, 1/4" NPT x 1/4"	1	VAA702	<	<	<
33	CONNECTOR, ELBOW, QUICK DISCONNECT, 1/4" NPT x 1/4" O.D.	2	VAA703	<	<	<
34	TUBE, NYLON, BLACK, #11 - 1/4" O.D.	-	VA1626	<	<	<
35	COMBINATION OIL FILL AND SIGHT GLASS	1	RN52171	<	<	<
36	CAP W/ VENT HOLE	1	CS741	<	<	<
37	NIPPLE, 1 1/4" NPT x 2 1/2" LG.	1	VA017	<	<	<

PARTS LIST FOR AIR AND OIL PIPING GROUP (REF. FIG. 2)

CAP-256

ITEM NO.	DESCRIPTION	QTY	R/S 40B	R/S 40C	R/S 50B	R/S 50C
38	VALVE, MINIMUM PRESSURE	1	RN42126	<	<	<
38A	KIT, SERVICE, MINIMUM PRESSURE VALVE (NOT SHOWN)	1	RN42126-1	<	<	<
39	TEE, REDUCING, 1 1/4" x 1/2" x 1 1/4"	1	VAD815	<	<	<
40	CONNECTOR, 1 1/4" NPT x 1 1/4" O.D., ELBOW	1	VAA722	<	<	<
41	TUBE, 1 1/4" O.D.	1	OFE949	<	<	<
42	CONNECTOR, 1 1/4" NPT x 1 1/4" O.D., STRAIGHT	1	VAA721	<	<	<
43	CONNECTOR, ELBOW, 1 1/16-12UN-2B x 3/4" O.D.	2	RN52141	<	<	<
44	TUBE, SEPARATOR TANK TO BY-PASS	1	OFE960	<	<	<
45	VALVE, THERMO BY-PASS, 170° F	1	RN42403	<	<	<
45A	KIT, SERVICE, THERMO BY-PASS VALVE, 170° F	1	RN42403-1	<	<	<
45B	VALVE, THERMO BY- PASS, 180° F (OPTIONAL)	1	RN42402	<	<	<
45C	KIT, SERVICE, THERMO BY-PASS VALVE, 180° F (OPTIONAL)	1	RN42402-1	<	<	<
46	ELBOW, STREET, 3/4"	1	VA08EF	<	<	<
47	NIPPLE, 3/4" NPT x 11" LG.	1	VA13ERA	<	<	<
48	VALVE, BALL, 3/4"	1	VV540	<	<	<
49	PLUG, PIPE, 3/4"	1	VA01ER	<	<	<
50	NIPPLE, 1/4" NPT x CLOSE	3	VA13BAA	<	<	<
51	SWITCH, TEMPERATURE	2	RN18659	<	<	<
52	ELBOW, STREET, 1/2"	1	VA08DP	<	<	<
53	GUAGE, AIR PRESSURE, 2 1/2" DIA., LIQUID FILLED	2	RM30323	<	<	<
54	NIPPLE, 1/4" NPT x 3" LG.	1	VA13BEA	<	<	<
55	VALVE, MODULATING, 1/4"	1	RN42612	<	<	<
56	SCREW, THUMB	1	CS793	<	<	<
57	NIPPLE, 3/8" NPT, CLOSE	1	VA13CAA	<	<	<
58	VALVE, CHECK, 3/8"	1	VV832	<	<	<
59	CONNECTOR, ELBOW, QUICK DISCONNECT, 1/4" NPT x 3/8" O.D.	1	VAA748	<	<	<
60	VALVE, BLOW DOWN, 1/4"	1	RN18428	<	<	<
61	NIPPLE/ORIFICE, BLOW DOWN	1	RN52149	<	<	<
62	VAVLE, SHUTTLE, 1/4"	1	RN42105	<	<	<
63	COMPRESSION CONNECTOR, 1/4" NPT x 1/4" O.D., STRAIGHT	1	RN52151	<	<	<
64	TUBE, STEEL, 1/4" O.D.	1	OFE963	<	<	<
65	TUBE, STEEL, 1/4" O.D.	1	OFE968	OFE1008	OFE968	OFE1008
66	NUT, STEEL, 1/4" O.D.	2	VAA756	<	<	<
67	UNION, 1/4" O.D. x 1/4" O.D.	1	VAA701	<	<	<
68	SIGHT GLASS	1	RN52170	<	<	<
69	ORIFICE SCAVENGER COMPRESSION CONNECTOR, ELBOW	1	RN52131-3	<	<	<
70	SEPARATOR TANK CROSS (NOT SHOWN)	1	RN10140	<	<	<
71	CONNECTOR, STRAIGHT, QUICK DISCONNECT, 1/4" NPT x 3/8"	2	VAA747	<	<	<
72	TUBE, NYLON, #11, 3/8" O.D.	-	VA1628	<	<	<
73	CONNECTOR, ELBOW, QUICK DISCONNECT, 3/8" NPT x 3/8" O.D.	1	VAA751	<	<	<

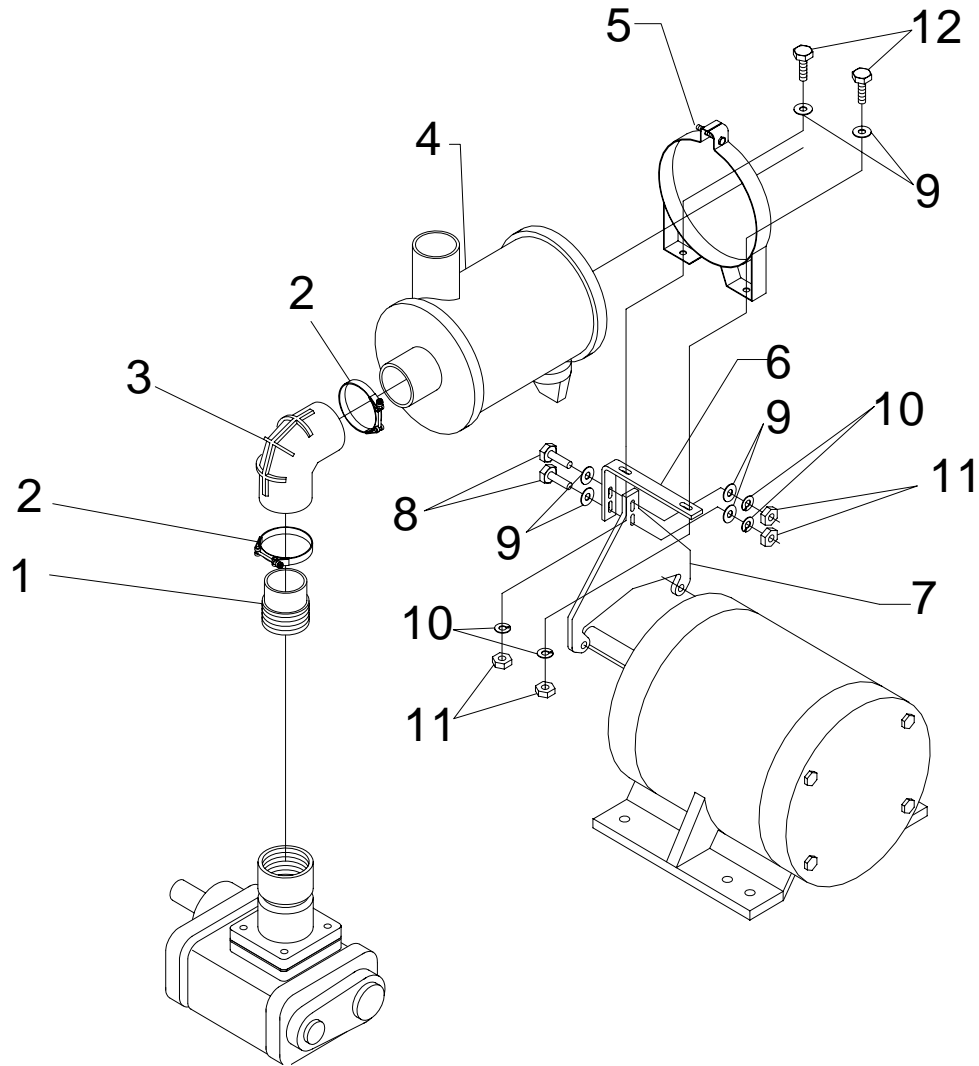
PARTS LIST FOR AIR AND OIL PIPING GROUP (REF. FIG. 2)

CAP-256

ITEM NO.	DESCRIPTION	QTY	R/S 40B	R/S 40C	R/S 50B	R/S 50C
74	NIPPLE, 3/4" NPT x 2-1/2"	1	VA13EDA	<	<	<
75	VALVE, RELIEF, 1/2"					
	150 PSI (USED ON 100 PSI AND 125 PSI UNITS)	1	RN42815	<	<	<
	175 PSI (USED ON 150 PSI UNITS)	1	RN42816	<	<	<
	200 PSI (USED ON 175 PSI UNITS)	1	RN42817	<	<	<
76	BUSHING, REDUCING, 1" NPT x 3/4" NPT	1	VA857	<	<	<
77	ELBOW, 1/4"	1	VA06BF	<	<	<
78	NIPPLE, 1 1/4" NPT x 5 1/2" LG.	1	VA13GKA	<	<	<
80	ADAPTER, 1/8" BSPP x 1/4" NPTF	1	VAA745	<	<	<
81	WASHER FOR VAA745	1	VAA746	<	<	<
82	PRESSURE REGULATOR FOR 175PSI UNITS (NOT SHOWN)	1	CY58-1	<	<	<
83	TEE, RUN 1/4"NPT X 1/4"OD X 1/4"OD	2	VAB746	<	<	<
84	NIPPLE, 2-1/2 X 3 THREADED ONE END	1	VAC864	<	<	<
85	CLAMP, WORM DRIVE, 2.75" DIA – 3.75" DIA	2	RN24074-5	<	<	<
86	ELBOW, 3", 90 DEGREE	1	RN24076-5	<	<	<
87	FILTER ASSEMBLY, HEAVY DUTY	1	RN24076	<	<	<
88	FILTER ELEMENT, MAIN (NOT SHOWN)	1	RN24076-1	<	<	<
89	FILTER ELEMENT, SAFETY (NOT SHOWN)	1	RN24076-2	<	<	<
90	CONNECTOR, 1/4"OD X 1/4"NPT MALE, EL	1	RN52150-2	<	<	<
91	INSERT	2	VA1620	<	<	<
92	CONNECTOR 1/4"OD X 1/8"NPT MALE, STR (NOT SHOWN)	1	RN52150-3	<	<	<

PARTS LIST FOR HEAVY DUTY FILTER ASSEMBLY

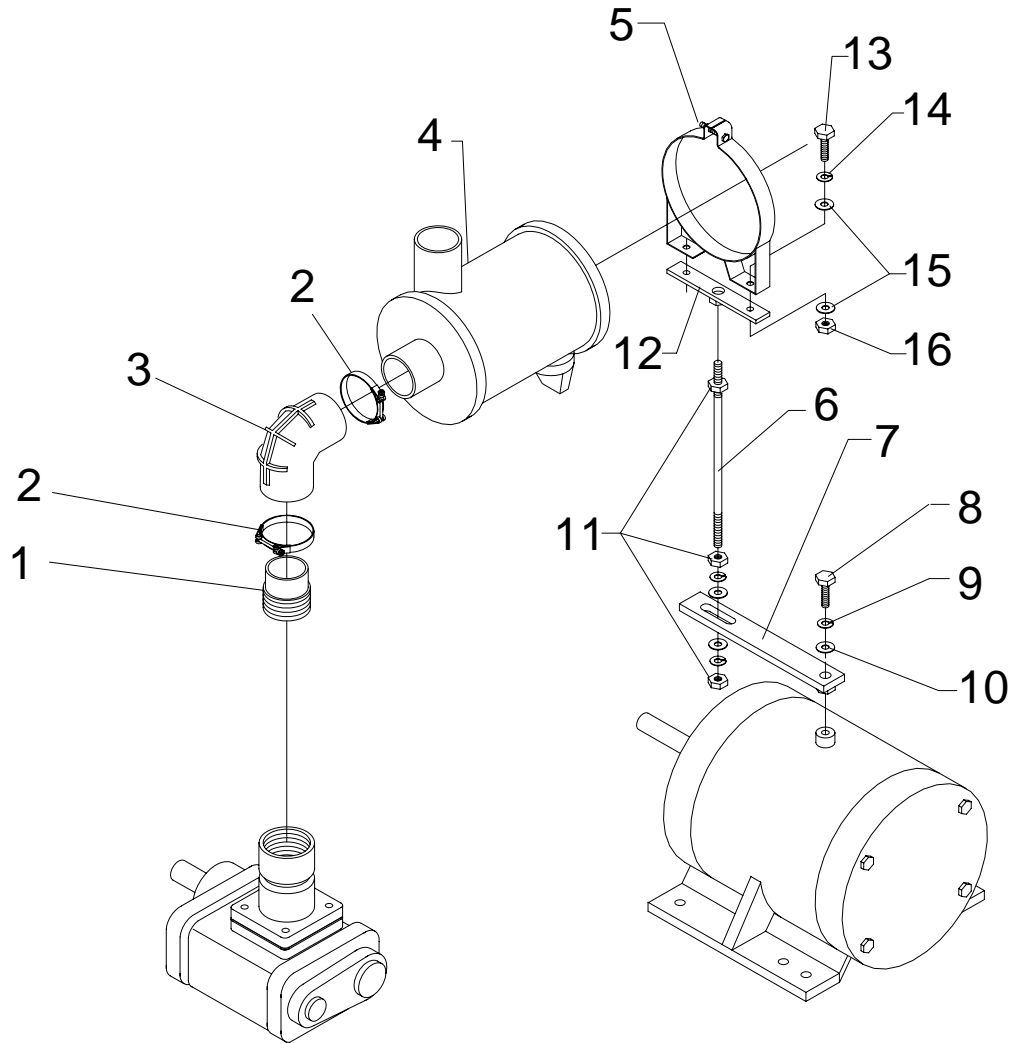
CAP-256



ITEM NO.	DESCRIPTION	QTY	R/S 40B	R/S 50B
	HEAVY DUTY FILTER KIT	1	VGG531	VGD546
1	NIPPLE, 2 1/2 X 3 THREADS ONE END	1	VAC864	<
2	CLAMP, WORM DRIVE, 2.75" DIA-3.75" DIA	2	RN24074-5	<
3	ELBOW, 3", 90 DEGREE	1	RN24076-4	<
4	FILTER, HEAVY DUTY	1	RN24076	<
5	BAND MOUNTING	1	RN24076-3	<
6	MOUNTING BRACE, H.D. AIR FILTER-BALDOR MTR	1	200042	200043
7	MOUNTING BRACKET, H.D. AIR FILTER	1	200025	200028
8	HHCS, 5/16"-18 X 1.00, GRADE 5	2	VH12HH	<
9	WASHER, FLAT CUT, 5/16"	6	VH32H	<
10	LOCKWASHER, KANTLINK, SPLIT, MED. 5/16"	4	VH35H	<
11	HEX NUT, FINISHED, 5/16"	4	VH15H	<
12	HHCS, 5/16-18 X 3/4", GRADE 5	2	VH12HF	<

PARTS LIST FOR HEAVY DUTY FILTER ASSEMBLY

CAP-256



ITEM NO.	DESCRIPTION	QTY	R/S 40C	R/S 50C
	HEAVY DUTY FILTER KIT	1	VGG502	<
1	NIPPLE, 2 ½ X 3 THREADS, ONE END	1	VAC864	<
2	CLAMP, T-BAR 3 ½"	2	RN24076-5	<
3	ELBOW, 90 DEG, 3"	1	RN24076-4	<
4	FILTER, HEAVY DUTY ASSEMBLY	1	RN24076	<
5	BAND MOUNTING	1	RN24076-3	<
6	ROD, THREADED M16 X 2.0 LONG	1	VL2402	<
7	PLATE MOUNT	1	RN24076-9	<
8	BOLT, M16 X 2.0 X 45mm	1	VH1440	<
9	WASHER, LOCK 16mm	4	VH1234	<
10	WASHER, FLAT 16mm	4	VH1238	<
11	NUT, HEX 16mm X 2.0	3	VH1531	<
12	MOUNT PLATE, HDF	1	RN24079-11	<
13	HHCS, 5/16-18 X 1, GRADE 5	2	VH12HH	<
14	LOCKWASHER, SPLIT, KANTLINK	2	VH35H	<
15	WASHER, FLAT CUT 5/16	4	VH32H	<
16	NUT, FINISHED HEX 5/16	2	VH15H	<

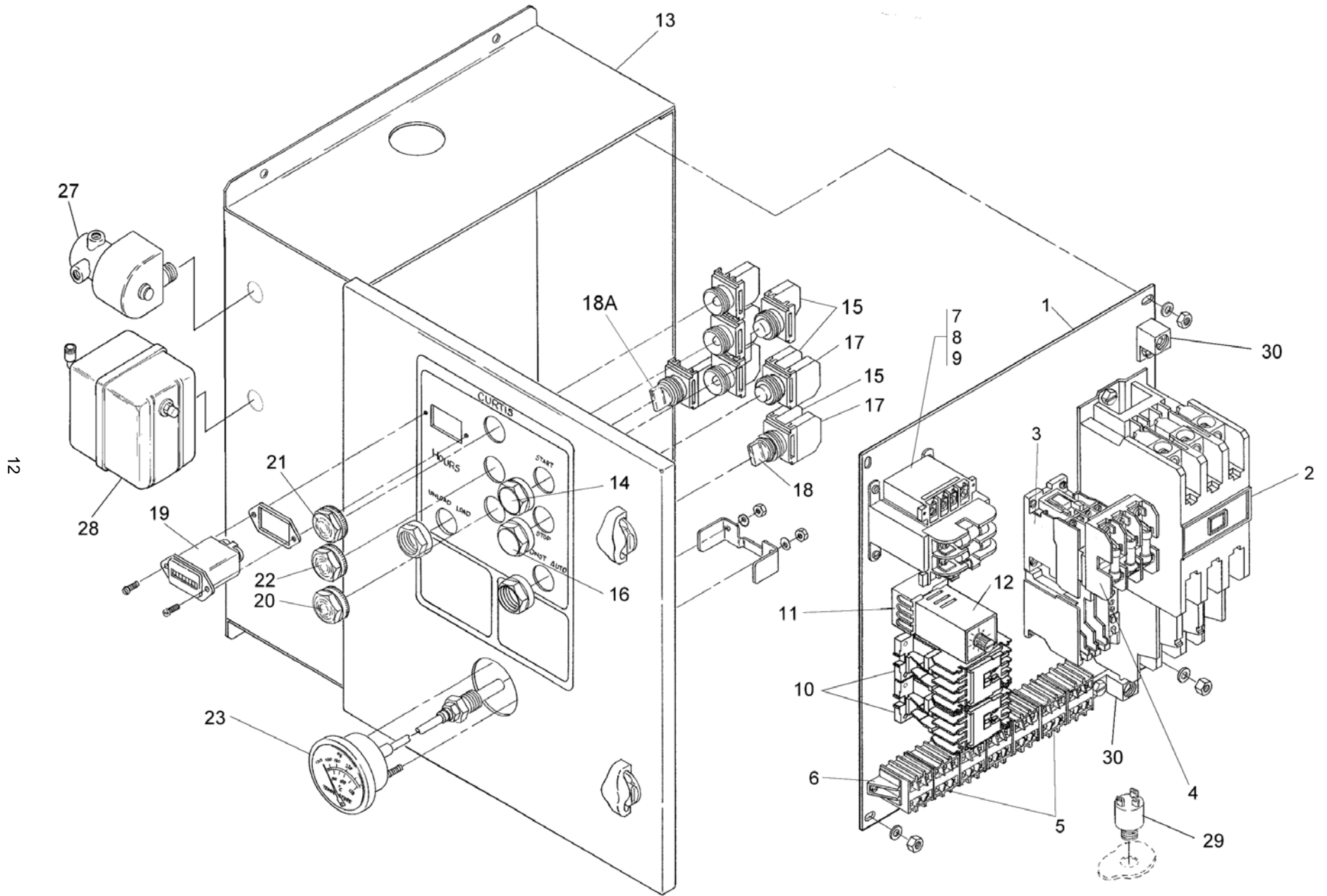


Figure 3: Electrical Components Group - Open

PARTS LIST FOR ELECTRICAL COMPONENTS GROUP – OPEN (REF. FIG. 3)

ITEM NO.	DESCRIPTION	QTY.	R/S 40B,C	R/S 50B,C
1	CONTROL BACK PANEL			
2	STARTER WITH INTERCHANGEABLE HEATERS (MAIN MOTOR) SIZE "K" SIZE "N" SIZE "S"			
3	STARTER WITH INTERCHANGABLE HEATERS (FAN) SIZE "A" SIZE "B"			
4	FUSE BLOCK - 30A, 600V	1	RN18314-1	<
5	TERMINAL BLOCK	6	1330042	<
6	TERMINAL BLOCK END STOP	1	1330043	<
7	TRANSFORMER 150VA,FUSED, 120V 250VA,FUSED, 120V			
8	FUSE, TRANSFORMER, PRIMARY			
9	FUSE, TRANSFORMER, SECONDARY			
10	RELAY, 4 POLE, 120V, DPDT	1	1330062	<
11	SOCKET	1	1330049	<
12	TIMER, 60 MIN., PLUG-IN	1	1330026	<
13	ENCLOSURE SIZE "K" & "N" SIZE "S"	1	1330058	<
		1	N/A	RN18039
14	PUSH BUTTON START SWITCH, GREEN	1	RN18116	<
15	N.O. CONTACT BLOCK (USED W/ PUSH BUTTON STOP)	2	RN18118-2	<
16	PUSH BUTTON STOP SWITCH (RED)	1	RN18118	<
17	N.C. CONTACT	2	RN18118-1	<
18	2 POSITION SELECTOR SWITCH (CONST/AUTO)	1	RN18104-9	<
18A	2 POSITION SELECTOR SWITCH (LOAD/UNLOAD)	1	RN18104-7	<
19	HOURLMETER	1	1330048	<
20	AMBER LIGHT (STAND BY)	1	RN18218	<
21	RED LIGHT (STOP)	1	RN18217	<
22	GREEN LIGHT (POWER ON)	1	RN18219	<
23	TEMPERATURE GAUGE	1	RN18682	<
24	HEATER - MAIN (NOT SHOWN)			
25	HEATER - FAN (NOT SHOWN)			
26	FUSE, FAN (NOT SHOWN)			
27	VALVE, SOLENOID	1	RN18422	<
28	SWITCH, PRESSURE – 100 PSI UNITS	1	1240007	RN18133-2
	SWITCH, PRESSURE – 125 PSI UNITS	1	1240007	RN18133-2
	SWITCH, PRESSURE – 150 PSI UNITS	1	1240007	RN18133-4
	SWITCH, PRESSURE – 175 PSI UNITS	1	1240007	RN18133-4
29	SWITCH, ANTI-START PRESSURE	1	RN18134	<
30	LUG, GROUNDING	2	VE779	<
31	LIGHT BULBS (NOT SHOWN)	3	RN18270	<

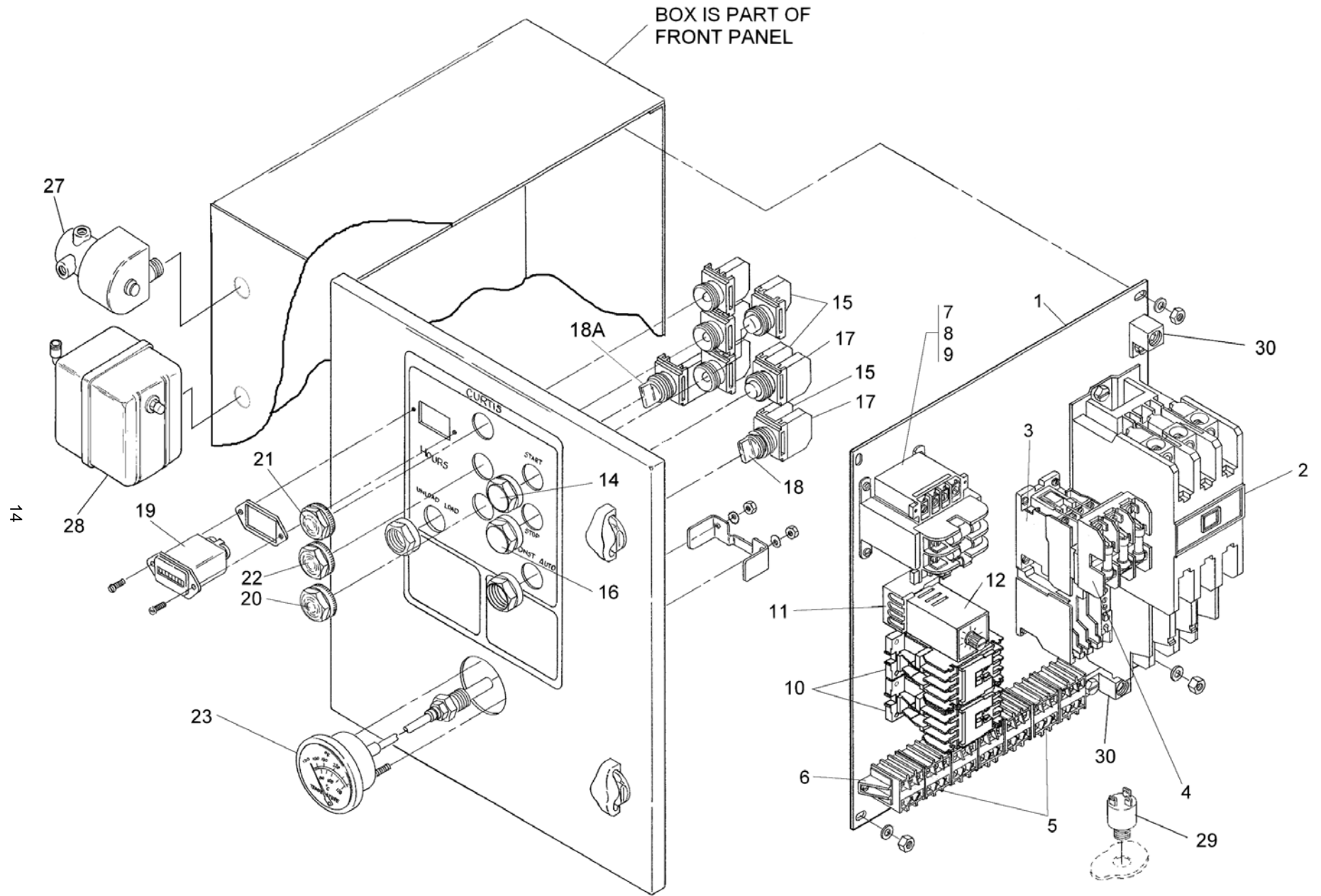


Figure 4: Electrical Components Group (Enclosed)

PARTS LIST FOR ELECTRICAL COMPONENTS GROUP – ENCLOSED (REF. FIG. 4)

CAP-256

ITEM NO.	DESCRIPTION	QTY.	R/S 40B,C	R/S 50B,C
1	CONTROL BACK PANEL			
2	STARTER WITH INTERCHANGEABLE HEATERS (MAIN MOTOR) SIZE "K" SIZE "N" SIZE "S"		SEE TABLE 2	
3	STARTER WITH INTERCHANGABLE HEATERS (FAN) SIZE "A" SIZE "B"			
4	FUSE BLOCK - 30A, 600V	1	RN18314-1	<
5	TERMINAL BLOCK	6	1330042	<
6	TERMINAL BLOCK END STOP	1	1330043	<
7	TRANSFOMER 150VA,FUSED, 120V 250VA,FUSED, 120V	1	1330055	<
8	FUSE, TRANSFORMER, PRIMARY		SEE TABLE 2	
9	FUSE, TRANSFORMER, SECONDARY			
10	RELAY, 4 POLE, 120V, DPDT	1	1330062	<
11	SOCKET	1	1330049	<
12	TIMER, 60 MIN., PLUG-IN	1	1330026	<
13	ENCLOSURE (NOT SHOWN) SIZE "K" & "N" SIZE "S"	1	N/A	N/A
		1	N/A	RN18039
14	PUSH BUTTON START SWITCH	1	RN18116	<
15	N.O. CONTACT BLOCK (USED W/ PUSH BUTTON STOP)	2	RN18118-2	<
16	PUSH BUTTON STOP SWITCH (RED)	1	RN18118	<
17	N.C. CONTACT	2	RN18118-1	<
18	2 POSITION SELECTOR SWITCH (CONST/AUTO)	1	RN18104-9	<
18A	2 POSITION SELECTOR SWITCH (LOAD/UNLOAD)	1	RN18104-7	<
19	HOURLMETER	1	RN18250	<
20	AMBER LIGHT (STAND BY)	1	RN18212	<
21	RED LIGHT (STOP)	1	RN18210	<
22	GREEN LIGHT (POWER ON)	1	RN18214	<
23	TEMPERATURE GAUGE	1	RN18682	<
24	HEATER - MAIN (NOT SHOWN)		SEE TABLE 2	
25	HEATER - FAN (NOT SHOWN)			
26	FUSE, FAN (NOT SHOWN)			
27	VALVE, SOLENOID	1	RN18422	<
28	SWITCH, PRESSURE – 100 PSI UNITS	1	1240007	RN18133-2
	SWITCH, PRESSURE – 125 PSI UNITS	1	1240007	RN18133-2
	SWITCH, PRESSURE – 150 PSI UNITS	1	1240007	RN18133-4
	SWITCH, PRESSURE – 175 PSI UNITS	1	1240007	RN18133-4
29	SWITCH, ANTI-START PRESSURE	1	RN18134	<
30	LUG, GROUNDING	2	VE779	<
31	LIGHT BULBS (NOT SHOWN)	3	N/A	N/A

	ITEM NO.	DESCRIPTION	QTY.	200 VOLT	230 VOLT	460 VOLT	575 VOLT
R/S 40B 40C	1	CONTROL BACK PANEL	1	1330035	<	1330034	<
	2	SIZE "K" STARTER	1	N/A	N/A	RN18960	<
	2	SIZE "N" STARTER	1	RN18963	<	N/A	N/A
	2	SIZE "S" STARTER	1	N/A	N/A	N/A	N/A
	3	SIZE "A" STARTER (FAN)	1	RN18959	<	<	<
	3	SIZE "B" STARTER (FAN)	1	N/A	N/A	N/A	N/A
	7	TRANSFORMER, 150VA,FUSED, 120V	1	1330075	<	<	1330055
	7	TRANSFORMER, 250VA,FUSED, 120V	1	N/A	N/A	N/A	N/A
	8	FUSE, TRANSFORMER, PRIMARY	2	RN18345-1	<	<	<
	9	FUSE, TRANSFORMER, SECONDARY	1	RN18351	<	<	<
	24	HEATER - MAIN (NOT SHOWN)	1	RN18990	RN18989	RN18982	RN18981
	25	HEATER - FAN (NOT SHOWN)	1	RN18975	RN18974	RN18972	RN18971
	26	FUSE, FAN (NOT SHOWN)	3	RN18317-1	RN18317	RN18316-1	VE396
	R/S 50B 50C	1	CONTROL BACK PANEL	1	RN18039-1	1330035	1330034
2		SIZE "K" STARTER	1	N/A	N/A	RN18960	<
2		SIZE "N" STARTER	1	N/A	RN18963	N/A	N/A
2		SIZE "S" STARTER	1	RN18860	N/A	N/A	N/A
3		SIZE "A" STARTER	1	N/A	RN18959	<	<
3		SIZE "B" STARTER	1	RN18950	N/A	N/A	N/A
7		TRANSFORMER, 150VA,FUSED, 120V	1	N/A	1330075	<	<
7		TRANSFORMER, 250VA,FUSED, 120V	1	1330076	N/A	N/A	N/A
8		FUSE, TRANSFORMER, PRIMARY	2	VE385	RN18345-1	<	<
9		FUSE, TRANSFORMER, SECONDARY	1	RN18354	RN18351	<	<
24		HEATER - MAIN (NOT SHOWN)	1	RN18972	RN18990	RN18983	RN18982
25		HEATER - FAN (NOT SHOWN)	1	RN18976	RN18975	RN18973	RN18972
26			3	VE399	RN18317-1	RN18316-2	RN08316-1

Table 2: CONTROL PANEL, HEATERS AND FUSES

NOTES

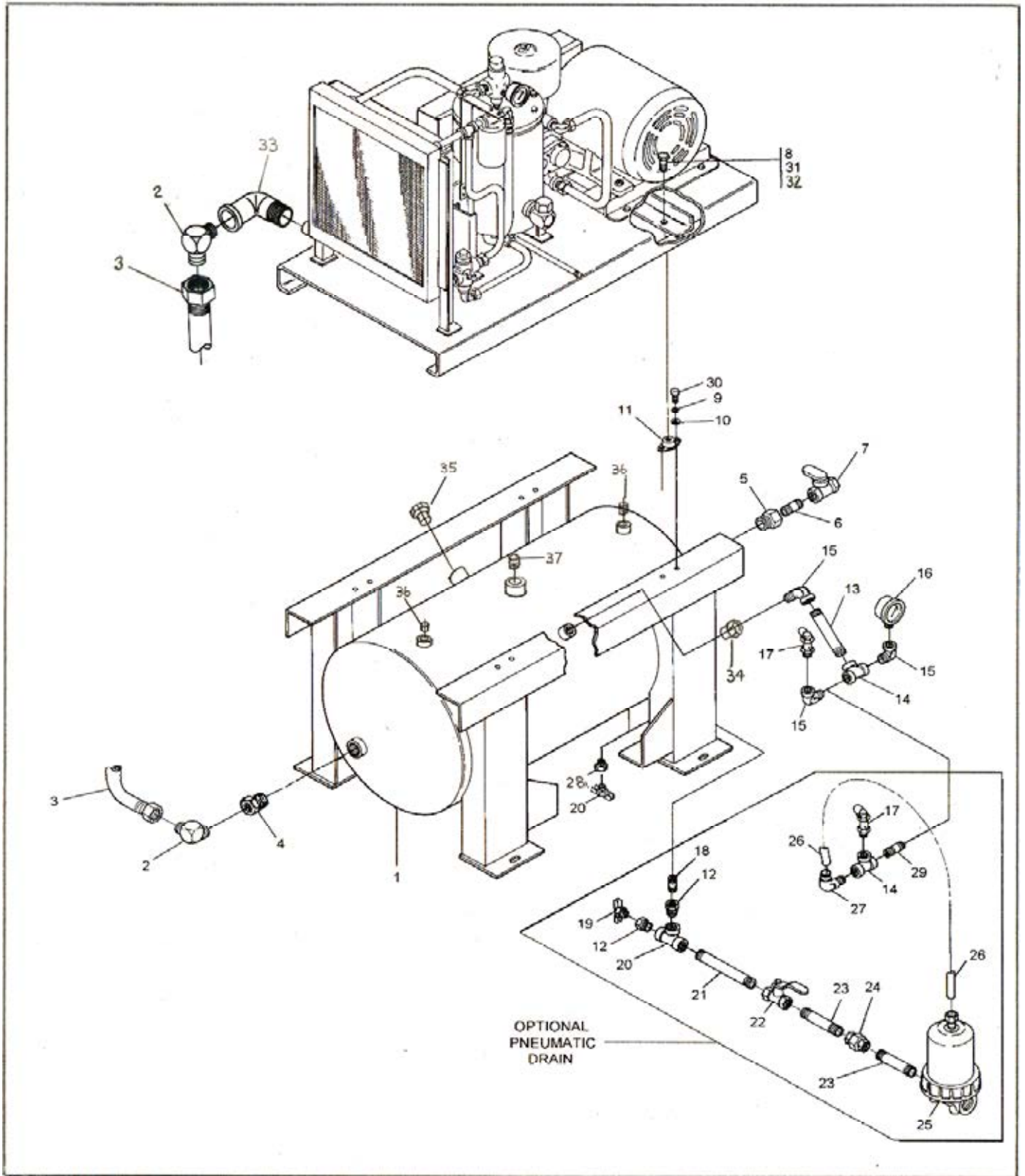


Figure 5: Tank And Base Group

PARTS LIST FOR TANK AND BASE GROUP (REF. FIG. 5)

CAP-256

ITEM NO.	DESCRIPTION	QTY.	R/S 40B,C	R/S 50B,C
1	TANK ASSEMBLY	1		
	200 GALLON		OFD247A	<
	240 GALLON		OFD249A	<
2	CONNECTOR, ELBOW	SEE		
3	HOSE ASSEMBLY	TABLE 3		
4	BUSHING, REDUCING, 2" NPT x 1 1/4" NPT	1	VA12JGF	<
5	BUSHING - 2" NPT x 1 1/2" NPT	1	VA12JHP	<
6	NIPPLE, SHORT, BLACK - 1 1/2" x SHORT	1	VA13HBA	<
7	BALL VALVE - 1 1/2"	1	RN42240	<
8	SCREW, HEX HEAD CAP, 1/2-20 x 1 1/4" LG.	4	VH12NK	<
9	WASHER - 5/16"	8	VH32H	<
10	LOCKWASHER, 5/16"	8	VH35H	<
11	VIBRATION MOUNTS	4	RN60255	<
12	BUSHING, REDUCING - 3/8" NPT x 1/4" NPT	SEE TABLE 3		
13	NIPPLE - 1/4" NPT x 6" LG.	1	VA13BLA	<
14	TEE - 1/4" NPT		VA10BF	<
15	STREET ELBOW, 1/4"	3	VA08BF	<
16	GAUGE, AIR PRESSURE	1	RN30320	<
17	RELIEF VALVE - 1/4"			
	150 PSI	1	RN42810	<
	175 PSI	1	RN42811	<
	200 PSI	1	RN42812	<
18	NIPPLE, 1/4" NPT	SEE TABLE 3		
19	DRAIN COCK - 1/4"	1	VV514	<
20	TEE - 3/8"	SEE TABLE 3		
21	NIPPLE - 3/8"			
22	BALL VALVE - 3/8"			
23	NIPPLE, GALVANIZED - 3/8"			
24	UNION, GALVANIZED - 3/8"			
25	DRAIN, AUTOMATIC CONDENSATE - SNAP TRAP			
26	TUBING, NYLON, WHITE - 1/4" OD			
27	CONNECTOR, ELBOW, 1/4" NPT x 1/4" OD, QD			
28	BUSHING - 1" NPT x 1/4" NPT	1	VA12FBF	<
29	NIPPLE, 1/4", CLOSE	SEE TABLE 3		
30	SCREW, HEX HEAD CAP, 5/16-18 x 3/4" LG.	4	VA12HF	<
31	WASHER, 1/2" (NOT SHOWN)	4	VH32P	<
32	LOCK WASHER, 1/2" (NOT SHOWN)	4	VH35P	<
33	STREET ELBOW, 1 1/4"	1	VA08GP	<
34	BUSHING, 3/4" x 1/4"	1	VA12EBG	<
35	PLUG, 1/4"	1	VA01BA	<
36	PLUG, 1/2"	2	VA01DR	<
37	PLUG, 1 1/4"	1	VA02GR	<
38*	STREET ELBOW, 1-1/4" NPT (NOT SHOWN)	1	VA08GP	<
39*	NIPPLE, 1-1/4" X 3" LG (NOT SHOWN)	1	VA13GEA	<
40*	COUPLING, 1-1/4" NPT (NOT SHOWN)	1	VA16GA	<

* USED ONLY FOR ENCLOSED UNITS

	ITEM NO	DESCRIPTION	200 GALLON		240 GALLON	
			QTY	PART NO.	QTY	PART NO.
R/S40B,C R/S50B,C	2	CONNECTOR, ELBOW	2	RN60089	2	<
	3	HOSE ASSEMBLY	1	RN60144	1	<
	12	BUSHING, REDUCING, 3/8" x 1/4"	2	VA12CBA	2	<
	13	NIPPLE, BLACK - 1/4" x 6	1	VA13BLA	1	<
	14	TEE - 1/4"	1	VA10BF	1	<
	18	NIPPLE, 1/4" x 3"LG.	1	VA13BEB	1	<
	20	TEE, 3/8"	1	VA10CF	1	<
	21	NIPPLE, 3/8"	1	VA13CNB	1	<
	22	BALL VALVE, 3/8", 200 PSI	1	VV539	1	<
	23	NIPPLE, 3/8"	2	VA13CEB	2	<
	24	UNION, 3/8"	1	VAC806	1	<
	25	HANKINSON AUTO DRAIN	1	VA539	1	<
	26	TUBING, NYLON, WHITE - 1/4"	-	VA1601	-	<
	27	ELBOW, 1/4 MPT x 1/4 OD, QD	1	VAA703	1	<
29	NIPPLE, 1/4", CLOSE	1	VA13BAB	1	<	

Table 3: TANK HOSE ASSEMBLY AND OPTIONAL PNEUMATIC DRAIN

NOTES

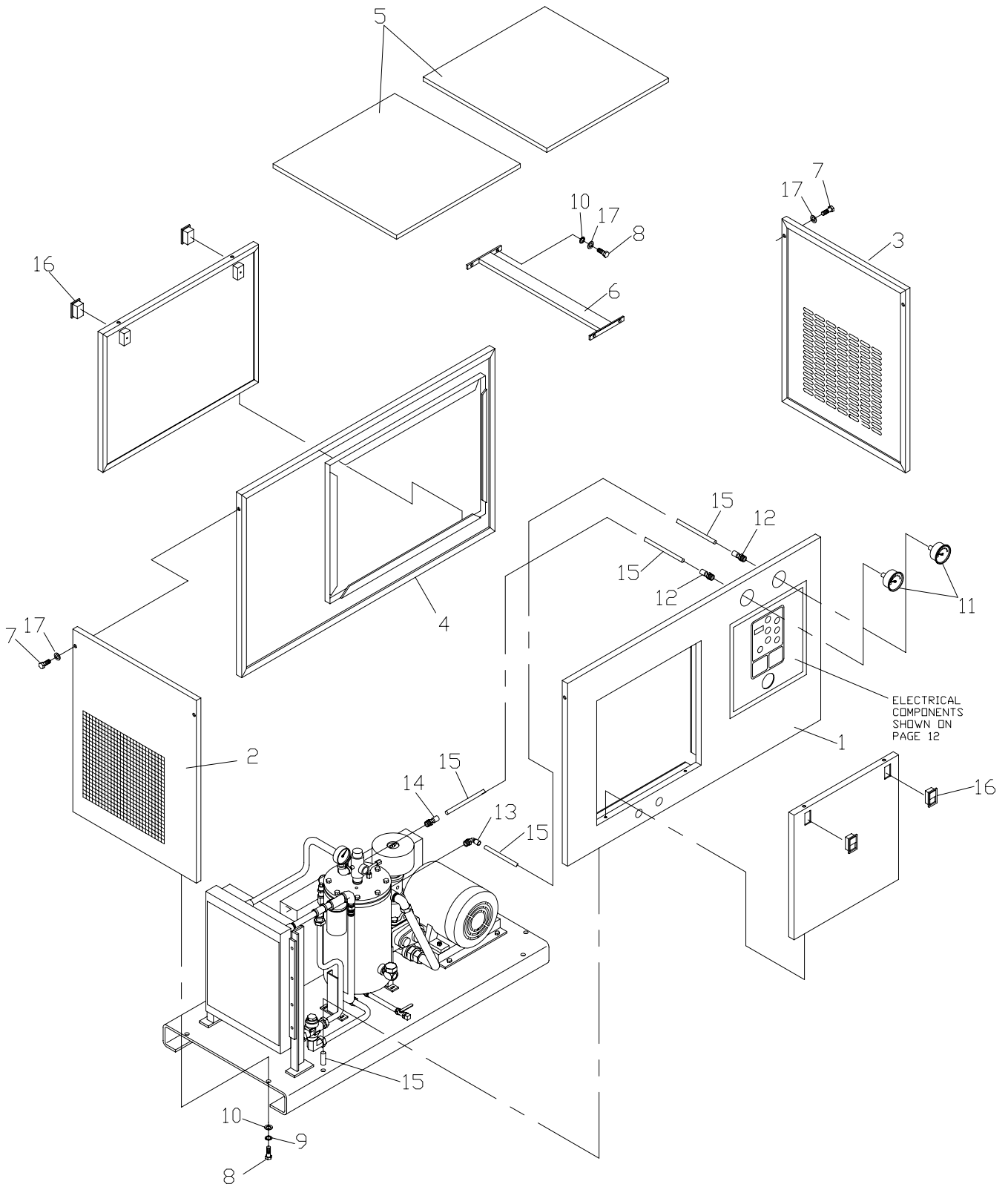


Figure 6: Enclosure Group

PARTS LIST FOR ENCLOSURE GROUP (REF. FIG. 6)

CAP-256

ITEM NO.	DESCRIPTION	QTY.	R/S 40B, 40C	R/S 50B, 50C
1	FRONT PANEL FRONT PANEL – NEMA 4 & 200V R/S50 ONLY	1	RN10040-1A RN10040-7A	< <
2	LEFT SIDE PANEL	1	RN10040-2A	<
3	RIGHT SIDE PANEL	1	RN10040-3A	<
4	BACK PANEL	1	RN10040-4A	<
5	TOP PANEL	2	RN10040-5A	<
6	TOP CROSS SUPPORT	1	RN10040-6	<
7	SCREW, SOCKET HEAD CAP, BUTTON HEAD, 1/4-20 x 1 1/2" LG.	12	VH1737	<
8	SCREW, HEX HEAD CAP, 1/4-20 x 3/4" LG.	8	VH11FF	<
9	LOCKWASHER, 1/4"	4	VH35F	<
10	WASHER, FLAT, 1/4"	8	VH32F	<
11	GAUGE, AIR PRESSURE, 2 1/2", LIQUID FILLED	2	RN30322	<
12	CONNECTOR, STRAIGHT, QUICK DISCONNECT, 1/4" NPTF x 1/4" O.D. TUBE	2	VAA787	<
13	CONNECTOR, ELBOW, QUICK DISCONNECT, 1/4" NPT x 1/4" O.D. TUBE	1	VAA703	<
14	CONNECTOR, STRAIGHT, QUICK DISCONNECT, 1/4" NPT x 1/4" O.D. TUBE	1	VAA702	<
15	TUBE, NYLON, BLACK, #11, 1/4" O.D.	-	VA1626	<
16	HANDLE, PADDLE	4	CS681	<
17	LOCKWASHER, INTERNAL, 1/4"	8	VH38F	<
18	PIN	4	CS910	<
19	* ENCLOSURE, NOISE SUPPRESSOR ASSEMBLY (NOT SHOWN)	2	RN10040-AA	<
20	* TOP COVER SOUND ENCLOSURE (NOT SHOWN)	2	RN10040-B	<

* DENOTES OPTIONAL ITEM

ROUTINE MAINTENANCE KITS

4,000 HOUR KIT

MODEL	WORKING PRESSURE			
	100 PSI	125 PSI	150 PSI	175 PSI
R/S 40B,C	VGA594	<	<	<
R/S 50B,C	VGA594	<	<	<

KIT INCLUDES

- (1) SEPARATOR ELEMENT
- (4) OIL FILTER ELEMENTS
- (2) AIR FILTER ELEMENTS

4,000 HOUR KIT (FOR UNITS WITH HEAVY DUTY INLET FILTER)

MODEL	WORKING PRESSURE			
	100 PSI	125 PSI	150 PSI	175 PSI
R/S 40B,C	VGC540	<	<	<
R/S 50B,C	VGC540	<	<	<

KIT INCLUDES:

- (1) SEPARATOR ELEMENT
- (4) OIL FILTER ELEMENTS
- (2) HD MAIN ELEMENTS
- (2) HD SAFETY ELEMENTS

8,000 HOUR KIT

MODEL	WORKING PRESSURE			
	100 PSI	125 PSI	150 PSI	175 PSI
R/S 40B,C	VGB506	<	<	<
R/S 50B,C	VGB506	<	<	<

KIT INCLUDES:

- (2) SEPARATOR ELEMENT
- (8) OIL FILTER ELEMENTS
- (4) AIR FILTER ELEMENTS

8,000 HOUR KIT (FOR UNITS WITH HEAVY DUTY INLET FILTER)

MODEL	WORKING PRESSURE			
	100 PSI	125 PSI	150 PSI	175 PSI
R/S 40B,C	VGf512	<	<	<
R/S 50B,C	VGf512	<	<	<

KIT INCLUDES:

- (2) SEPARATOR ELEMENT
- (8) OIL FILTER ELEMENTS
- (4) HD MAIN ELEMENTS
- (4) HD SAFETY ELEMENTS

12,000 HOUR KIT

MODEL	WORKING PRESSURE			
	100 PSI	125 PSI	150 PSI	175 PSI
R/S 40B	VGd539	<	VGd540	VGd539
R/S 50B	VGG520	<	VGd541	VGG520

KIT INCLUDES:

- (3) SEPARATOR ELEMENT
- (12) OIL FILTER ELEMENTS
- (6) AIR FILTER ELEMENTS
- (1) INLET VALVE KIT
- (1) THERMO BY-PASS VALVE KIT
- (1) MINIMUM PRESSURE VALVE KIT
- (1) SET OF "V" BELTS

ROUTINE MAINTENANCE KITS (CON'T)

12,000 HOUR KIT (FOR UNITS WITH HEAVY DUTY INLET FILTER)

MODEL	WORKING PRESSURE			
	100 PSI	125 PSI	150 PSI	175 PSI
R/S 40B	VG584	<	VG585	VG584
R/S 50B	VGG519	<	VG586	VGG519
R/S 40C	VG584	<	<	<
R/S 50C	VGG519	<	VG548	VGG519

KIT INCLUDES:

- (3) SEPARATOR ELEMENT
- (12) OIL FILTER ELEMENTS
- (6) AIR FILTER ELEMENTS
- (6) FILTER ELEMENTS SAFETY
- (1) INLET VALVE KIT
- (1) THERMO BY-PASS VALVE KIT
- (1) MINIMUM PRESSURE VALVE KIT
- (1) SET OF "V" BELTS

NOTES

NOTES

CURTIS – TOLEDO, INC.

1905 KIENLEN AVE., ST. LOUIS, MO 63133
TEL. (314) 383-1300 FAX (314) 381-1439
E-MAIL: CURTISCOMP@AOL.COM