

CURTIS

MASTERLINE CR-25 SERIES AIR COMPRESSORS

MODEL SR96 TWO STAGE

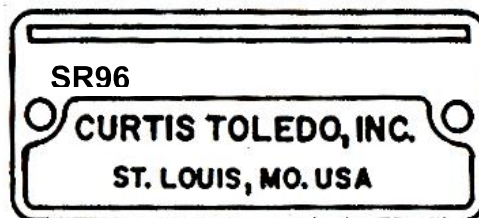
SIZE: 4-1/2" - 2-5/16" X 3-1/2"
LOT NO. 01

HOW TO ORDER PARTS

Give name and part number as shown in parts list and serial number. Serial number is on nameplate attached to crankcase of compressor. Refer to Master Parts Price List for price.

IMPORTANT

Make a permanent record of the Model and Serial numbers of your machine here. You'll save time and expense by including this reference identification on replacement parts orders.



PARTS LIST

CURTIS-TOLEDO, INC.

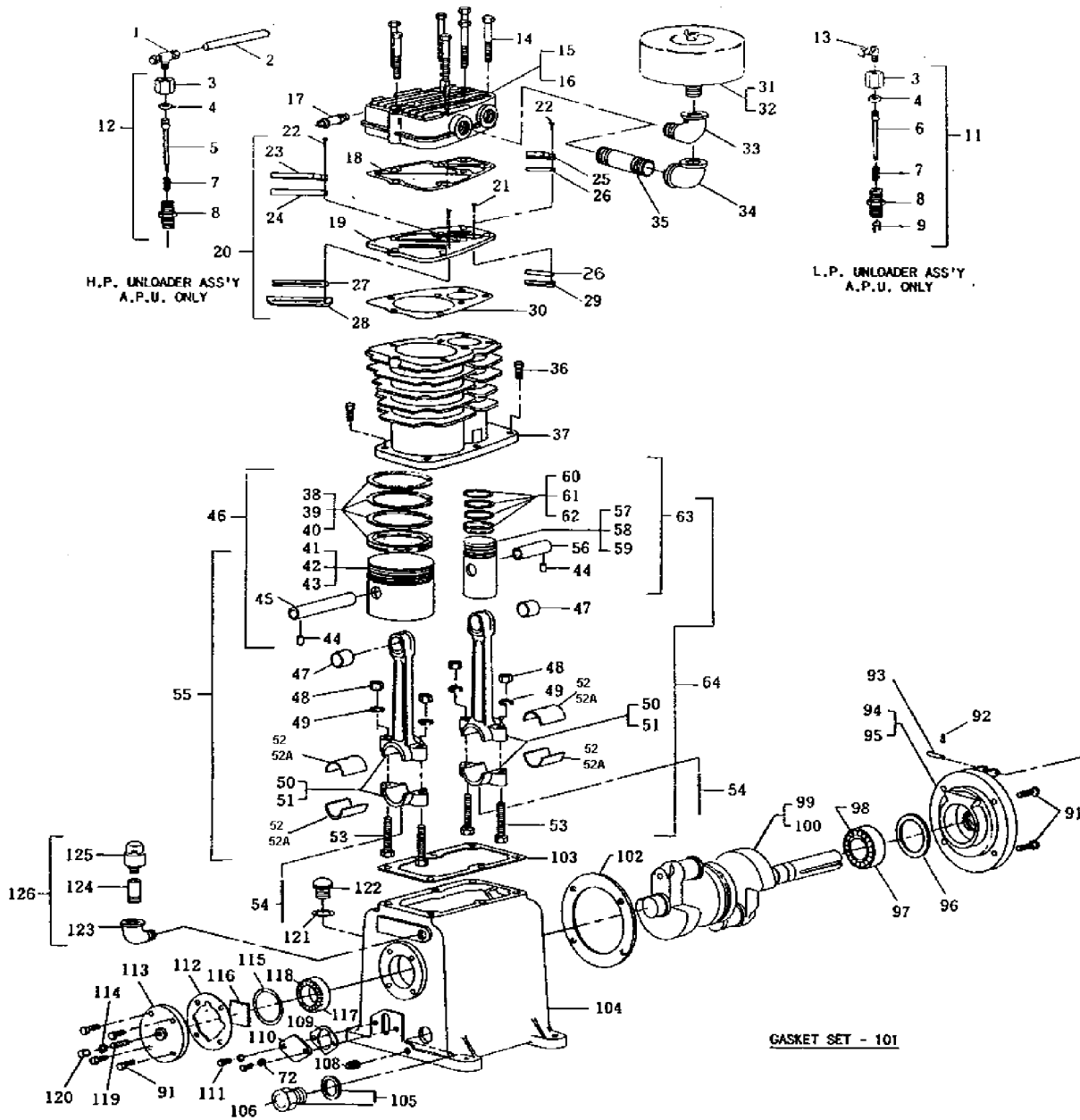
1905 KIENLEN AVENUE, ST. LOUIS, MISSOURI 63133

Tel. (314) 383-1300

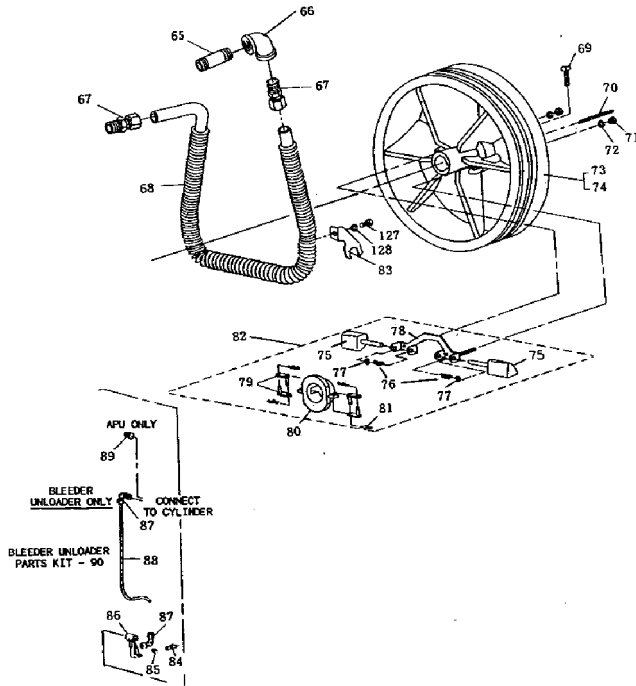
Fax (314) 381-1439

E-MAIL: info@curtistoledo.com

CURTIS PARTS LIST FOR COMPRESSOR MODEL SR96



CURTIS PARTS LIST FOR COMPRESSOR MODEL SR96



COMPRESSOR REPLACEMENT PARTS

| Item | Part No. | Description | Qty |
|------|-------------|---|-----|
| 27 | CCC1425 | Finger, Valve LP Suction | 1 |
| 28 | CCC1421 | Bumper, LP Suction Valve | 1 |
| 29 | CCC1422 | Bumper, HP Suction Valve | 1 |
| 30 | CCC1435 | Gasket, Cylinder & Valve Plate | 1 |
| 31 | VA1118 | Element, Filter – Air Intake | 1 |
| 32 | VA1119 | Filter, Air Intake w/Element | 1 |
| 33 | VA08FF | Elbow, Street-1" NPT - 90° (Used w/o APU) | 1 |
| 34 | VA06FF | Elbow, 1" NPT - 90° (Used w/APU) | 1 |
| 35 | VA13FCA | Nipple – 1" MPT z Close (Used w/ APU) | 1 |
| 36 | VH12MK | Screw, Cap- Hex Hd. 7/16-14NC x 1-1/4 Lg. – Gr. 5 | 6 |
| 37 | CCB1227 | Cylinder | 1 |
| 38 | CCA1217 | Set, Piston Rings (Std) LP | 1 |
| 39 | CCA1217-010 | Set, Piston Rings (.010 Oversize) LP | 1 |
| 40 | CCA1217-030 | Set, Piston Rings (.030 Oversize) LP | 1 |
| 41 | CCA1227 | Piston – LP (Std) | 1 |
| 42 | CCA1227-010 | Piston – LP (.010 Oversize) | 1 |
| 43 | CCA1227-030 | Piston – LP (.030 Oversize) | 1 |
| 44 | VH25FD | Pin, Roll – 3/16 x 1/2 Lg. | 2 |
| 45 | CCA1296 | Pin, Piston – LP. | 1 |
| 46 | CC1241 | Ass'y. – Piston with Rings & Pin – LP | 1 |
| 47 | CQ883 | Bushing, Piston Pin | 2 |
| 48 | VH1529 | Nut, Hex – 10MM x 1.25 | 4 |
| 49 | VH2403 | Lockwasher, Split – 10MM | 4 |
| 50 | CCC1223 | Assy. (Alternate) Con. Rod w/brgs, Bushings, Bolts, Nuts, Lockwashers, Oil Dipper | 2 |
| 51 | CC1359A | Assy. Con. Rod w/brgs, Bushings, Bolts, Nuts, Lockwashers, Oil Dipper | 2 |
| 52 | CC1307 | Bearing Sets, Connecting Rod, Standard | 2 |
| 52A | CC1307-001 | Bearing Sets, .001 Undersize shaft | 2 |
| 53 | CCC1224 | Bolt, Shoulder – 10MM x 1.25 | 4 |
| 54 | VH1318 | Pin, Roll – 1/8 x 2-3/4 Lg. | 2 |
| 55 | CCC1229 | Ass'y. LP Piston w/Rings, Pin & Rod w/brgs | 1 |
| 56 | CCA1297 | Pin, Piston - HP | 1 |
| 57 | CCA1228 | Piston – HP (Standard) | 1 |
| 58 | CCA1228-010 | Piston – HP (.010 Oversize) | 1 |
| 59 | CCA1228-030 | Piston – HP (.030 Oversize) | 1 |
| 60 | CCA1216 | Set, Piston Rings-HP (Standard) | 1 |
| 61 | CCA1216-010 | Set, Piston Rings-HP (.010 Oversize) | 1 |
| 62 | CCA1216-030 | Set, Piston Rings-HP (.030 Oversize) | 1 |
| 63 | CC1242 | Ass'y. Piston w/Rings & Pin -HP | 1 |
| 64 | CCC1230 | Ass'y. Piston w/Rings, Pin & Rod w/Brg. - HP | 1 |
| 65 | VA13EAA | Nipple, Pipe – 3/4 x Close | 1 |
| 66 | VA06EF | Elbow – 3/4 x 90° | 1 |
| 67 | VA14EHE | Fitting, Compression – 3/4 MPT x 3/4 OD Tube | 2 |
| 68 | CCC1261 | Intercooler | 1 |
| 69 | VHO7KM | Screw, Set Sq. Hd. 3/8-16NC x 1-1/2 Lg. | 1 |
| 70 | CCB1273 | Key, Flywheel | 1 |
| 71 | VH15F | Nut, Hex – 1/4-20 NC | 2 |
| 72 | VH35F | Lockwasher, 1/4 | 4 |
| 73 | CCA1281A | Flywheel (2 Groove) Plain-CS Operation | 1 |
| 74 | CQ280 | Ass'y. Flywheel (2 Groove) Complete-SS Operation | 1 |
| 75 | CBA641 | Weight, W/Stem (Centrifugal Unloader) | 2 |
| 76 | CBA650 | Spring, Centrifugal, Unloader Lever | 2 |
| 77 | VH35J | Lockwasher, Split 3/8 (Centrifugal Unloader) | 2 |
| 78 | CBA646 | Frame, Wgt w/Studs (Centrifugal Unloader) | 1 |
| 79 | CB674-6 | Link, Flywheel Collar (Centrifugal Unloader) | 4 |
| 80 | CB643-2 | Collar, Centrifugal Unloader | 1 |
| 81 | VH2101 | Pin, Hitch – 1/16 3/16 x 9/16 Lg. | 4 |
| 82 | CC1373 | Kit, Centrifugal Unloader Flywheel | 1 |
| 83 | CCC1362 | Support, Intercooler | 1 |
| 84 | CBA677 | Ass'y, Unloader Valve – Centrifugal Unloader | 1 |
| 85 | VH1225 | Washer, Copper – 3/8 | 1 |
| 86 | CC1368 | Lever, Centrifugal Unloader | 1 |
| 87 | VA15ABE | Elbow, Compression – 1/8" MPT x 3/16 Tube | 2 |
| 88 | CCB1238 | Tube, Unloader 3/16 OD x 10" LG. | 1 |
| 89 | CCB1238 | Plug, Pipe – 1/8 | 1 |
| 90 | VA01AA | Kit, Bleeder Unloader Parts | 1 |
| 91 | CCB1236 | Screw, Cap Hex Hollow Hd. – 3/8-16 x 1" Lg. | 8 |

COMPRESSOR REPLACEMENT PARTS

| Item | Part No. | Description | Qty |
|------|----------|---|-----|
| 1 | VA729 | Tee, compression 1/4OD Tube x 1/4OD Tube x 1/4MPT | 1 |
| 2 | OFD899 | Tube, Copper – 1/4OD | 1 |
| 3 | CBA924 | Cap, Unloader Cylinder | 2 |
| 4 | VB414 | "O" Ring | 2 |
| 5 | CBB944 | Piston, Unloader – HP Unloader Ass'y | 1 |
| 6 | CBB942 | Piston, Unloader – LP Unloader Ass'y | 1 |
| 7 | CB602-7 | Spring, Unloader | 2 |
| 8 | CBB941 | Cylinder, Unloader | 2 |
| 9 | CBB943 | Fork, Unloader | 1 |
| 10 | VH25CC | Pin, Roll – 3/32 Dia x 3/8 Lg. | 1 |
| 11 | CBB945 | Ass'y, LP Unloader | 1 |
| 12 | CBB946 | Ass'y, HP Unloader | 1 |
| 13 | VA15BCE | Elbow, Compression – 1/4 MPT x 1/4 Tube | 1 |
| 14 | VH12KV | Screw, Cap – Hex HD 3/8-16NC x 3-1/2 Lg, Gr 5 | 7 |
| 15 | CCC1420 | Head, Cylinder (used w/APU) | 1 |
| 16 | CCC1420A | Head, Cylinder (used w/oAPU) | 1 |
| 17 | VV405 | Valve, Safety; - 70 PSIG | 1 |
| 18 | CCC1428 | Gasket, Cylinder Hd. & Valve Plate | 1 |
| 19 | CCC1419 | Plate, Valve | 1 |
| 20 | CCC1431 | Ass'y., Valve Plate | 1 |
| 21 | VH561C | Screw, Phillips, Flat Hd #4-40 x 3/8 Lg. | 4 |
| 22 | VH571C | Screw, Phillips, Pan Hd #4-40 x 3/8 Lg. | 4 |
| 23 | CCC1424 | Bumper, LP Discharge Valve | 1 |
| 24 | CCC1426 | Finger, Valve LP Discharge | 1 |
| 25 | CCC1423 | Bumper, HP Discharge Valve | 1 |
| 26 | CCC1427 | Finger, Valve HP Suction & Discharge | 2 |

CURTIS PARTS LIST FOR COMPRESSOR MODEL SR96

| COMPRESSOR REPLACEMENT PARTS | | | |
|------------------------------|----------|---|-----|
| Item | Part No. | Description | Qty |
| 92 | VH2102 | Pin, Hitch | 1 |
| 93 | CC1367 | Pin, Unloader Lever | 1 |
| 94 | CC1310 | Ass'y. Large End Plate w/Bearing Cup & Seal | 1 |
| 95 | CC1310A | Plate, Large End | 1 |
| 96 | VB305 | Seal, Oil | 1 |
| 97 | VD800 | Cup, Roller Bearing (Large End) | 1 |
| 98 | VD811 | Cone, Roller Bearing (Large End) | 1 |
| 99 | CCC1226 | Crankshaft, Less Bearings | 1 |
| 100 | CCC1259 | Ass'y. Crankshaft with Bearings | 1 |
| 101 | CCC1254 | Set, Gasket | 1 |
| 102 | CR201-2 | Gasket, Large End Plate | 1 |
| 103 | CCB1228 | Gasket, Cylinder to Crankcase | 1 |
| 104 | CCB1229B | Crankcase | 1 |
| 105 | VA208 | Ass'y. – Oil Level Sightglass | 1 |
| 106 | VA208A | Body, Oil Sightglass | 1 |
| 107 | VA208B | Gasket, Oil Level Sightglass | 1 |
| 108 | VA01BA | Plug, Pipe ¼ | 1 |
| 109 | CA2312 | Gasket, Cover Plate | 1 |
| 110 | CA2323 | Plate, Flange Cover | 1 |
| 111 | VH12FD | Screw, Cap Hex Hd. – ¼-20NC x 1 Lg., Gr. 5 | 2 |
| 112 | CCB1249 | Gasket, Small End Plate | 1 |
| 113 | CCB1223 | Plate, Small End | 1 |
| 114 | VH16K | Jam Nut, Hex – 3/8-16 NC | 1 |
| 115 | CCB1225 | Ring, Bearing Adjustment | 1 |
| 116 | CCB1224 | Plate, Bearing Adjustment | 1 |
| 117 | VD812 | Cup, Roller Bearing (Small End) | 1 |
| 118 | VD813 | Cone, Roller Bearing (Small End) | 1 |
| 119 | VH09KK | Screw, Set – Headless Socket Hd. – 3/8-16 NC x 1-1/4Lg. | 1 |
| 120 | RK206-3 | Nut, Stud – 3/8-16NC | 1 |
| 122 | CCC1257 | Assy, Cap Oil | 1 |
| 123 | VA25EFF | Elbow, Street – ½ NPT, 90° | 1 |
| 124 | CCC1396 | Pipe & Screen, Breather | 1 |
| 125 | CCC1258 | Cap, Oil Breather | 1 |
| 126 | CY31R | Kit, Breather | 1 |
| 127 | VH11KE | Screw, Cap Hex Hd. 3/8-16NC x 5/8 Lg. | 1 |
| 128 | VH35K | Lockwasher, 3/8 | 1 |

| ASSEMBLIES – SETS – KITS | | | |
|--------------------------|-------------|---|-----|
| Item | Part No. | Description | Qty |
| 5 | CBB944 | Ass'y., Piston Unloader, HP | 1 |
| 6 | CBB942 | Ass'y., Piston Unloader, LP | 1 |
| 11 | CBB945 | Ass'y., Unloader, LP | 1 |
| 12 | CBB946 | Ass'y., Unloader, HP | 1 |
| 20 | CCC1431 | Ass'y., Valve Plate | 1 |
| 38 | CCA1217 | Set, Piston Rings (STD) LP | 1 |
| 39 | CCA1217-010 | Set, Piston Rings (.010 Oversize) LP | 1 |
| 40 | CCA1217-030 | Set, Piston Rings (.030 Oversize) LP | 1 |
| 46 | CC1241 | Ass'y., Piston w/Rings & Pin – LP | 1 |
| 50 | CCC1223 | Ass'y. (Alternate) Con. Rod w/Bearings, Bushing, Bolts, Nuts, Lockwashers, Oil Dipper | 2 |
| 51 | CC1359A | Ass'y., Con. Rod w/Bearings, Bushing, Bolts, Nuts, Lockwashers, Oil Dipper | 2 |
| 52 | CC1307 | Bearing Sets, Connecting Rod, Standard | 2 |
| 52A | CC1307-001 | Bearing Sets, .001 Undersize shaft | 2 |
| 55 | CCC1229 | Ass'y., LP Piston w/Rings, Pin & Rod w/Bearings | 1 |
| 60 | CCA1216 | Set, Piston Rings – HP (STD) | 1 |
| 61 | CCA1216-010 | Set, Piston Rings – HP (.010 oversize) | 1 |
| 62 | CCA1216-030 | Set, Piston Rings – HP (.030 oversize) | 1 |
| 63 | CC1242 | Ass'y., Piston w/Rings & Pin – HP | 1 |
| 64 | CCC1230 | Ass'y., Piston w/Rings, Pin & Rod w/Bearing – HP | 1 |
| 74 | CQ280 | Ass'y. Flywheel 2 Groove Complete –SS, Operation | 1 |
| 82 | CC1373 | Kit, Centrifugal Unloader Flywheel | 1 |
| 84 | CBA677 | Ass'y., Unloader Valve – Centrifugal Unloader | 1 |
| 90 | CCB1236 | Kit, Bleeder Unloader Parts | 1 |
| 94 | CC1310 | Ass'y. Large End Plate w/Bearing Cup & Seal | 1 |
| 100 | CCC1259 | Ass'y. Crankshaft with Bearings | 1 |
| 101 | CCC1254 | Set, Gasket | 1 |
| 105 | VA208 | Ass'y. – Oil Level Sightglass | 1 |
| 122 | CCC1257 | Assy, Cap Oil | 1 |
| 126 | CY31R | Kit, Breather | 1 |

CURTIS-TOLEDO, INC.

1905 Kienlen Avenue, St. Louis, Missouri 63133

(314) 3831300 FAX (314) 381-1439

EMAIL: info@curtistoledo.com

Sales representatives in principal cities